



US00D717398S

(12) **United States Design Patent**
Kacik et al.

(10) **Patent No.:** **US D717,398 S**
(45) **Date of Patent:** **** Nov. 11, 2014**

(54) **FAUCET CARTRIDGE**
(75) Inventors: **Mark S. Kacik**, Lakewood, OH (US);
Yaakov Korb, Grafton, OH (US);
Sanjeev S. Moghe, Chagrin Falls, OH (US)
(73) Assignee: **Moen Incorporated**, North Olmsted, OH (US)

6,135,151 A 10/2000 Bowers et al.
D442,267 S * 5/2001 Kouda D23/262
6,431,211 B1 8/2002 Wang
D499,464 S * 12/2004 Caine D23/236
D500,840 S * 1/2005 Kim D23/236
7,063,098 B2 6/2006 Sprague
7,175,158 B2 2/2007 Thomas
7,185,676 B2 3/2007 Huang
7,240,850 B2 7/2007 Beck et al.
7,337,804 B2 3/2008 Rosko
7,357,145 B2 4/2008 Soderberg

(**) Term: **14 Years**

(Continued)

(21) Appl. No.: **29/427,376**

FOREIGN PATENT DOCUMENTS

(22) Filed: **Jul. 17, 2012**

DE 3720207 A1 12/1987

(51) **LOC (10) Cl.** **23-01**

OTHER PUBLICATIONS

(52) **U.S. Cl.**
USPC **D23/235**

International Search Report for International App. No. PCT/US2013/050486 dated Jan. 9, 2014 (2 pages).

(58) **Field of Classification Search**
USPC D23/233, 235, 234-237, 244-249;
137/801, 315.11, 625.41, 625.17,
137/625.4, 636.1, 636.2; 251/285, 288
See application file for complete search history.

(Continued)

Primary Examiner — Cynthia Ramirez

(74) *Attorney, Agent, or Firm* — Calfee, Halter & Griswold LLP

(56) **References Cited**

(57) **CLAIM**

U.S. PATENT DOCUMENTS

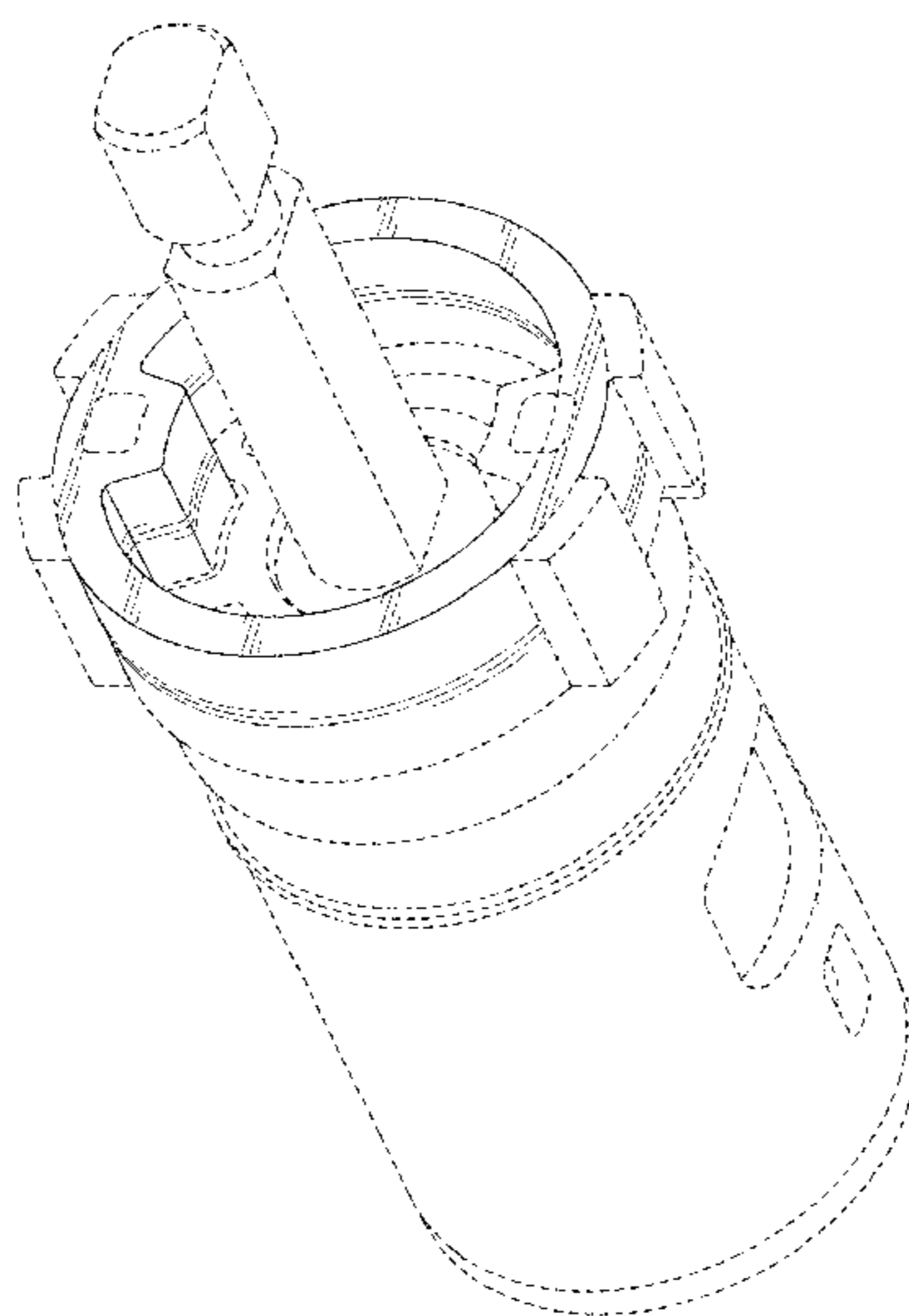
The ornamental design for a faucet cartridge, as shown and described.

3,548,875 A 12/1970 Lagarelli
3,680,592 A 8/1972 Hayman
3,698,418 A 10/1972 Schmitt
3,788,356 A 1/1974 Moen
3,799,191 A 3/1974 Burkhardt et al.
4,109,672 A 8/1978 Szemerédi
4,226,260 A 10/1980 Schmitt
4,305,419 A 12/1981 Moen
4,606,372 A 8/1986 Hayman
4,700,736 A 10/1987 Sheen
4,838,304 A 6/1989 Knapp
4,901,749 A 2/1990 Hutto
5,402,827 A 4/1995 Gonzalez
5,613,521 A 3/1997 Knapp
5,664,603 A 9/1997 Knapp
D428,113 S * 7/2000 Russo D23/233

DESCRIPTION

FIG. 1 is a perspective view of a faucet cartridge of the design; FIG. 2 is a front elevational view, the rear being a mirror image thereof; FIG. 3 is a left side elevational view, the right side being a mirror image thereof; and, FIG. 4 is a top plan view thereof. The portions of the Figures shown in broken lines are not part of the claimed design and are for illustration only.

1 Claim, 3 Drawing Sheets



(56)

References Cited

U.S. PATENT DOCUMENTS

7,461,669	B2	12/2008	Jonte et al.	
D585,522	S	1/2009	Geideman et al.	
7,549,437	B2	6/2009	Hanada	
D620,081	S	7/2010	Geideman et al.	
D633,179	S	2/2011	Geideman et al.	
8,056,578	B2	11/2011	Lopp et al.	
8,109,293	B2	2/2012	Tucker	
8,109,294	B2	2/2012	Kacik et al.	
8,156,963	B2	4/2012	Lopp et al.	
D690,391	S *	9/2013	Garm et al.	D23/233
D699,815	S *	2/2014	Petersen	D23/233
D700,683	S *	3/2014	Atwell	D23/235
2006/0037651	A1	2/2006	Yang	
2007/0163446	A1	7/2007	Halliday et al.	

2007/0277889	A1	12/2007	Rosko	
2008/0178951	A1	7/2008	Frackowiak et al.	
2009/0025808	A1	1/2009	Kacik et al.	
2009/0026402	A1	1/2009	Loschelder et al.	
2010/0127202	A1	5/2010	Bors et al.	
2012/0025122	A1	2/2012	Lopp et al.	
2012/0305117	A1 *	12/2012	Huang	137/801
2013/0199645	A1 *	8/2013	Hsu	137/801
2014/0007967	A1 *	1/2014	Sun	137/801
2014/0020777	A1 *	1/2014	Kacik et al.	137/801

OTHER PUBLICATIONS

Written Opinion of the International Searching Authority for International App. No. PCT/US2013/050486 dated Jan. 9, 2014 (7 pages).

* cited by examiner

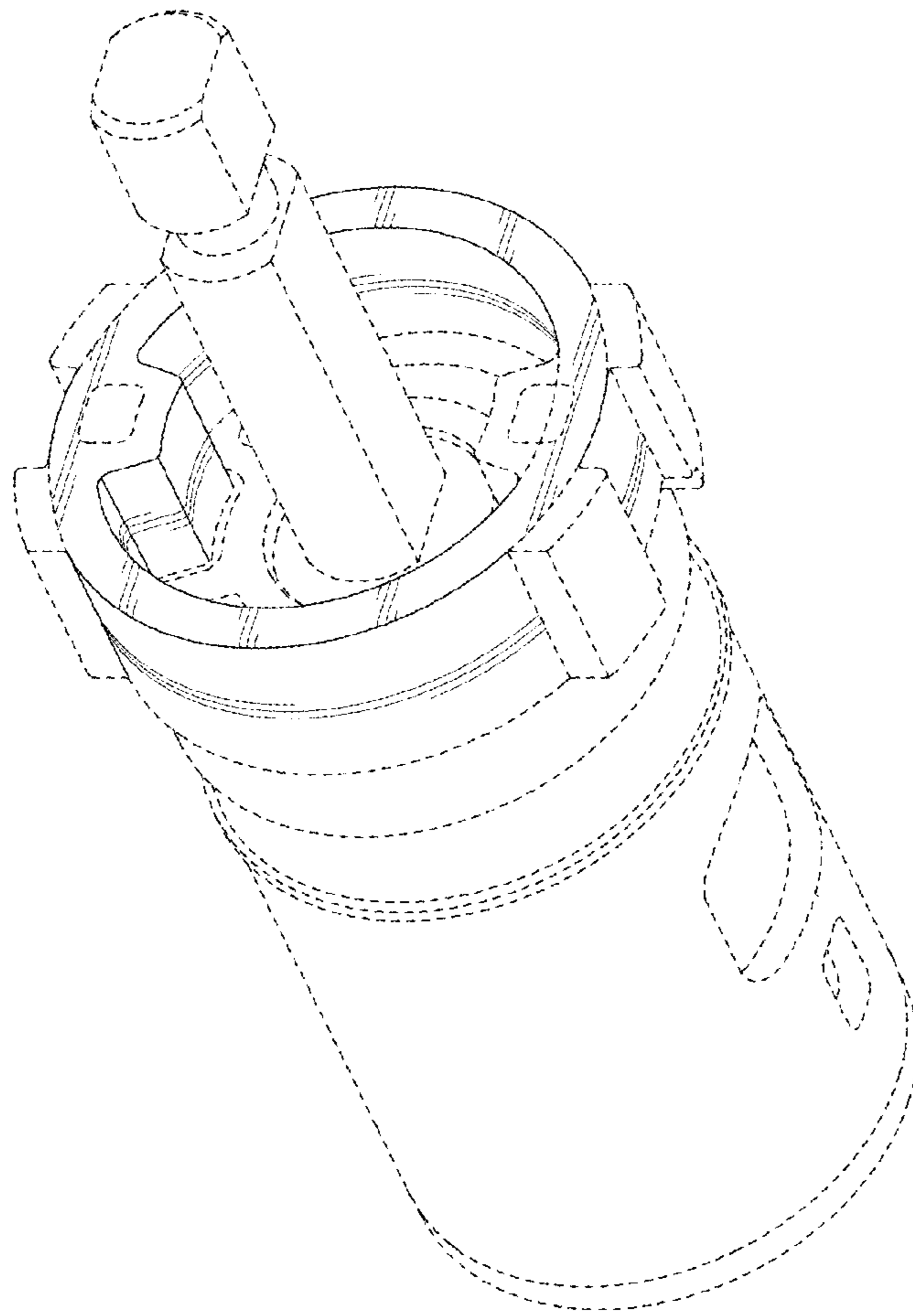


FIG. 1

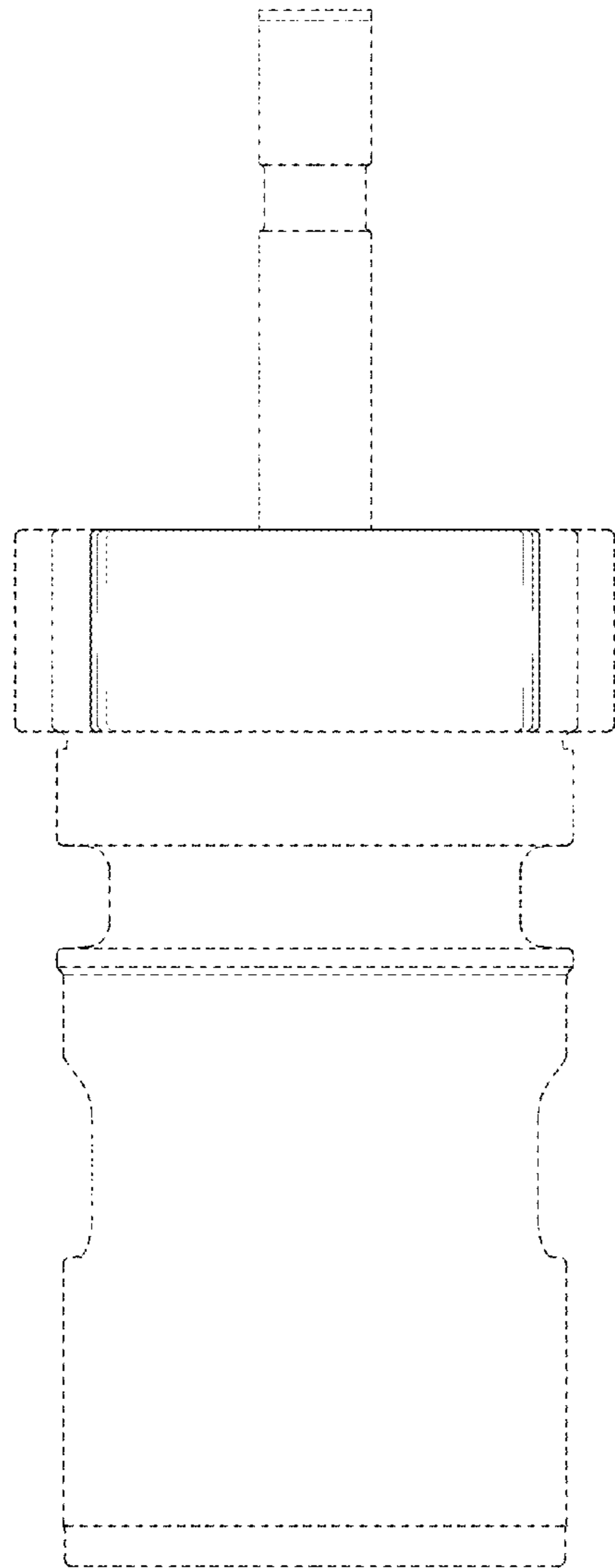


FIG. 2

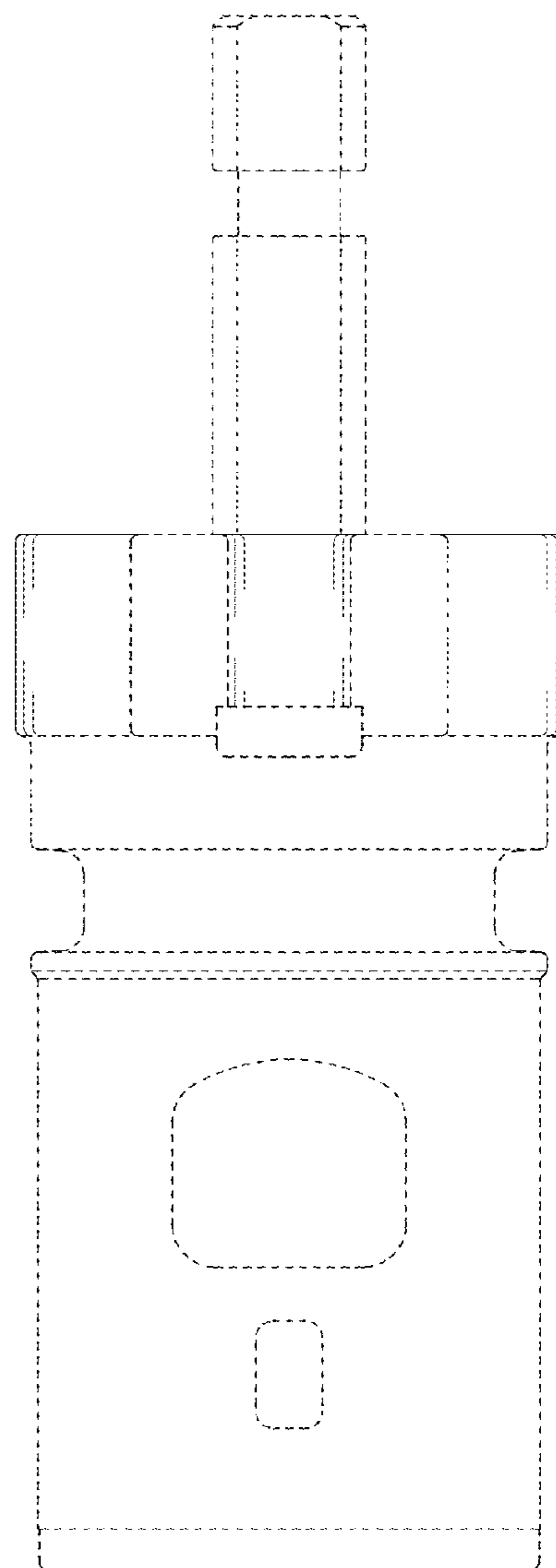


FIG. 3

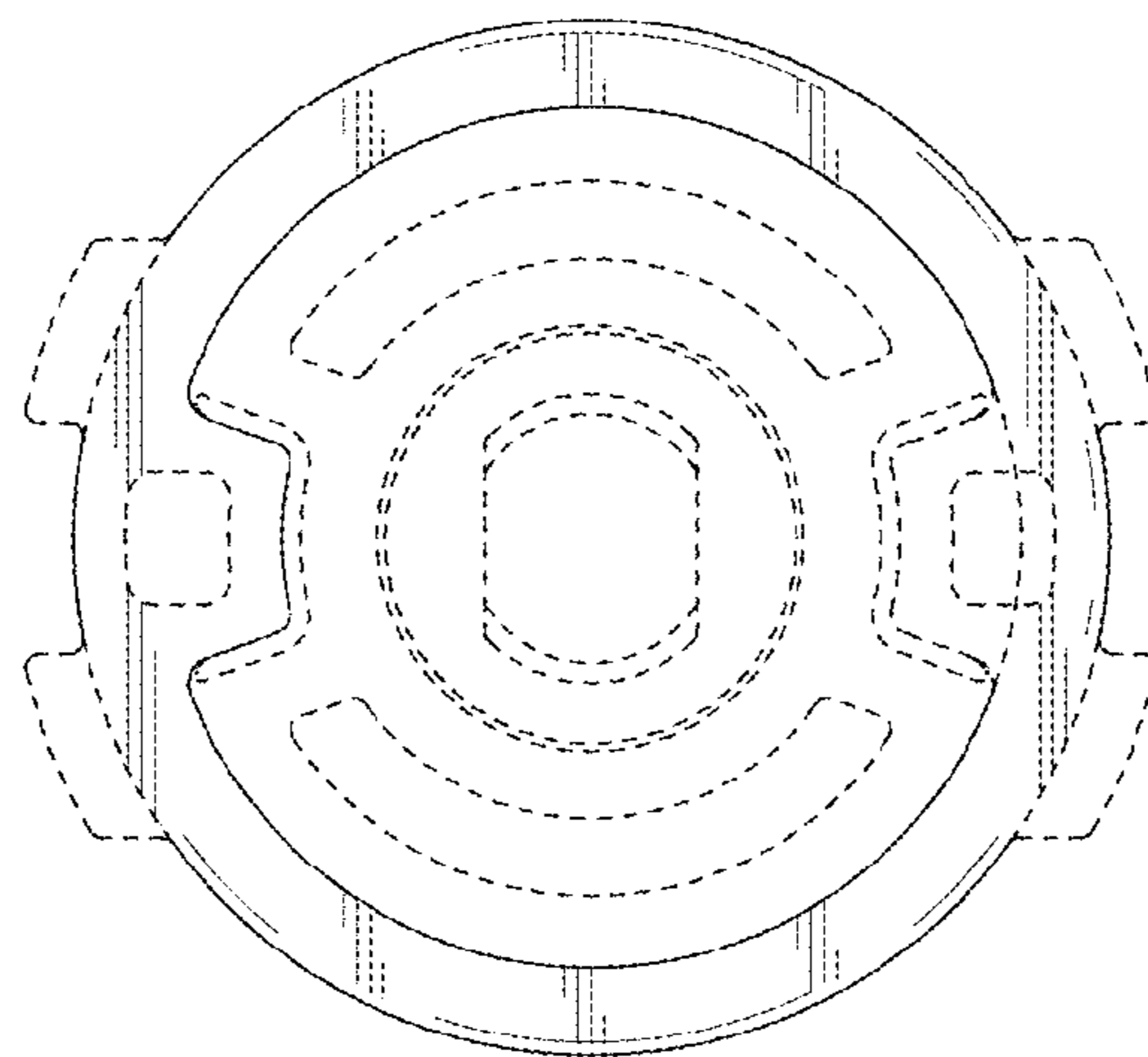


FIG. 4