



US00D717396S

(12) **United States Design Patent**  
**Hammarback**

(10) **Patent No.:** **US D717,396 S**

(45) **Date of Patent:** **\*\* Nov. 11, 2014**

(54) **WATER PURIFICATION CARTRIDGE**

(71) Applicant: **Barry J. Hammarback**, River Falls, WI  
(US)

(72) Inventor: **Barry J. Hammarback**, River Falls, WI  
(US)

(\*\*) Term: **14 Years**

(21) Appl. No.: **29/474,060**

(22) Filed: **May 16, 2014**

**Related U.S. Application Data**

(62) Division of application No. 29/442,193, filed on Jan. 2, 2013.

(51) **LOC (10) Cl.** ..... **23-01**

(52) **U.S. Cl.**  
USPC ..... **D23/209**

(58) **Field of Classification Search**  
USPC ..... D23/207, 209; 210/238, 497.01, 282  
See application file for complete search history.

(56) **References Cited**

**U.S. PATENT DOCUMENTS**

D265,227 S \* 6/1982 Jolley ..... D23/207  
D297,857 S \* 9/1988 Alexander et al. .... D23/207  
5,230,624 A 7/1993 Wolf et al.

D351,892 S 10/1994 Wolf et al.  
5,370,534 A 12/1994 Wolf et al.  
5,401,399 A 3/1995 Magnusson et al.  
5,556,279 A 9/1996 Wolf et al.  
6,325,929 B1 12/2001 Bassett  
D547,822 S \* 7/2007 Kennedy et al. .... D23/207  
D547,823 S \* 7/2007 Kennedy et al. .... D23/207  
D547,825 S \* 7/2007 Kennedy et al. .... D23/209  
D548,306 S \* 8/2007 Kennedy et al. .... D23/209  
8,252,185 B2 8/2012 Rajan et al.

\* cited by examiner

*Primary Examiner* — Robin V Webster

(74) *Attorney, Agent, or Firm* — Richard John Bartz

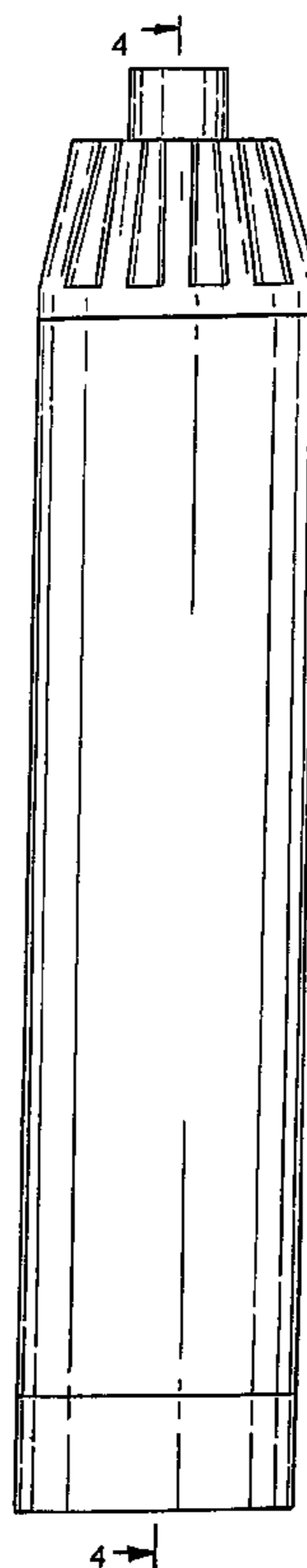
(57) **CLAIM**

The ornamental design for a water purification cartridge, as shown and described.

**DESCRIPTION**

FIG. 1 is a front elevational view of the water purification cartridge showing my new design, the rear and side elevational views being identical;  
FIG. 2 is a top plan view thereof;  
FIG. 3 is a bottom plan view thereof;  
FIG. 4 is a foreshortened sectional view taken along line 4-4 of FIG. 1;  
FIG. 5 is a sectional view taken along line 5-5 of FIG. 4;  
FIG. 6 is a sectional view taken along line 6-6 of FIG. 4; and,  
FIG. 7 is a sectional view taken along line 7-7 of FIG. 4.

**1 Claim, 2 Drawing Sheets**



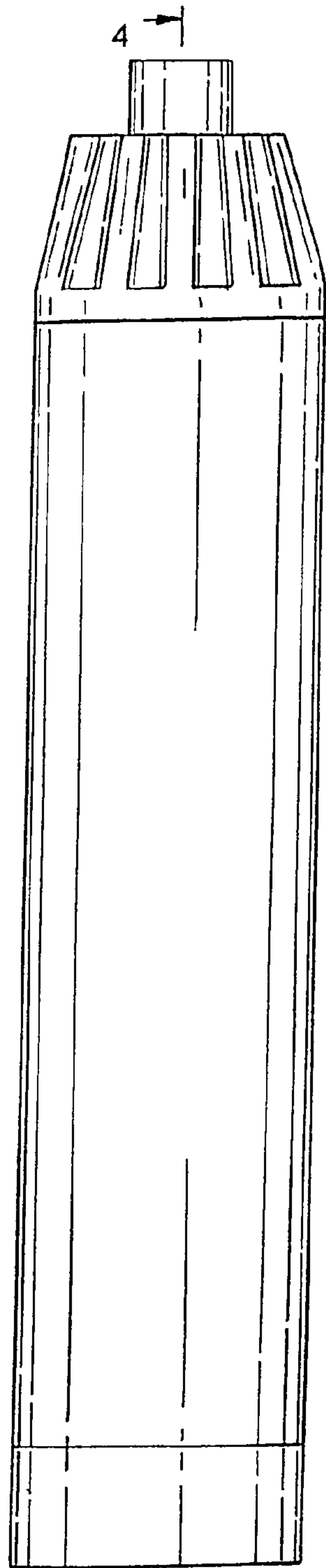


FIG. 1

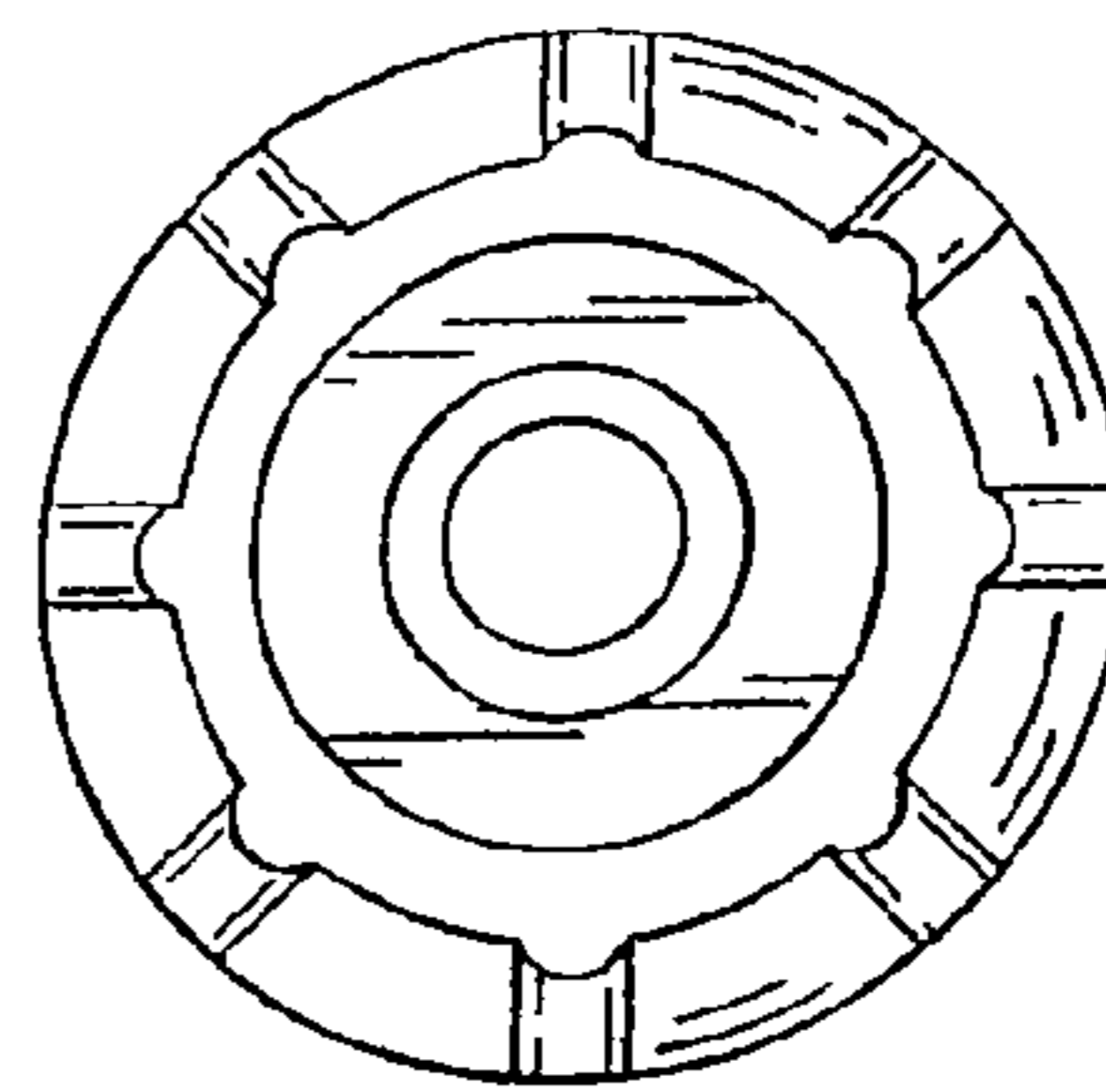


FIG. 2

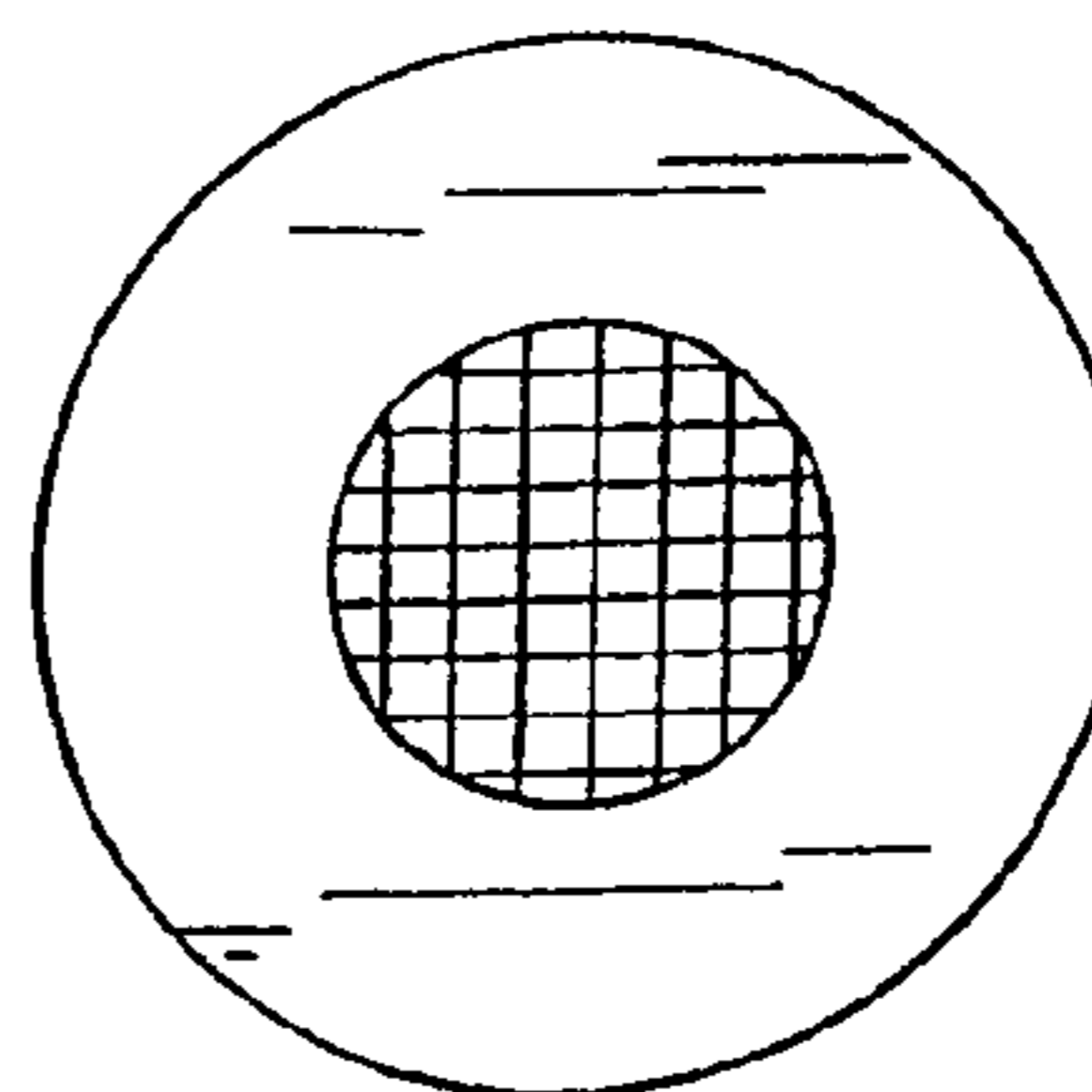


FIG. 3

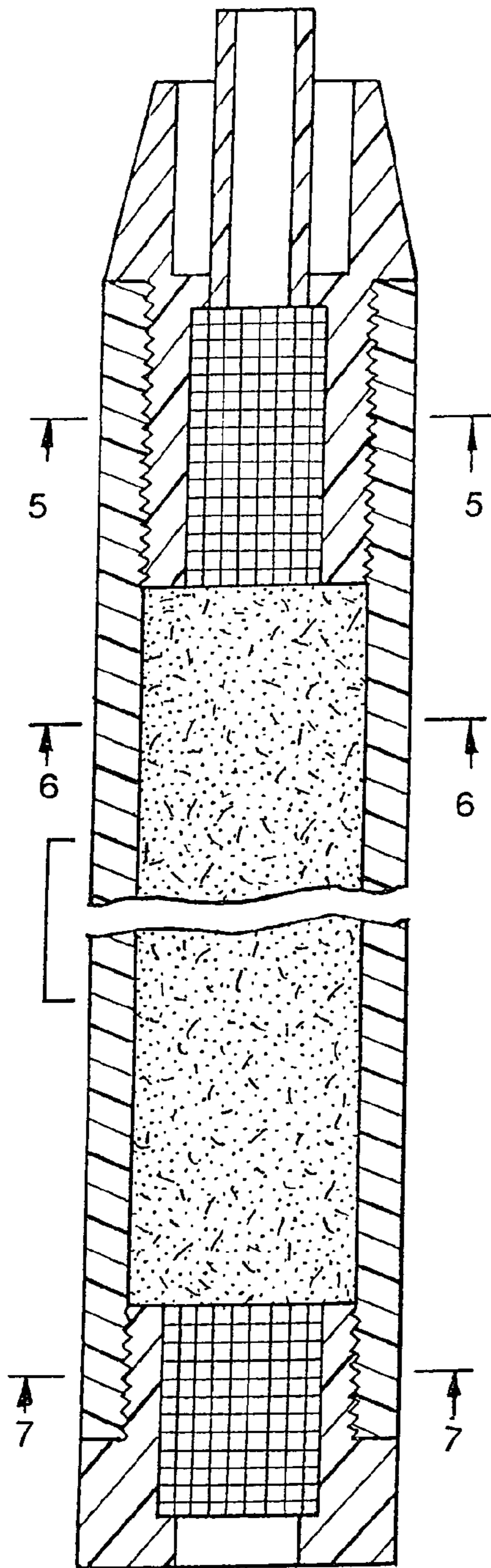


FIG. 4

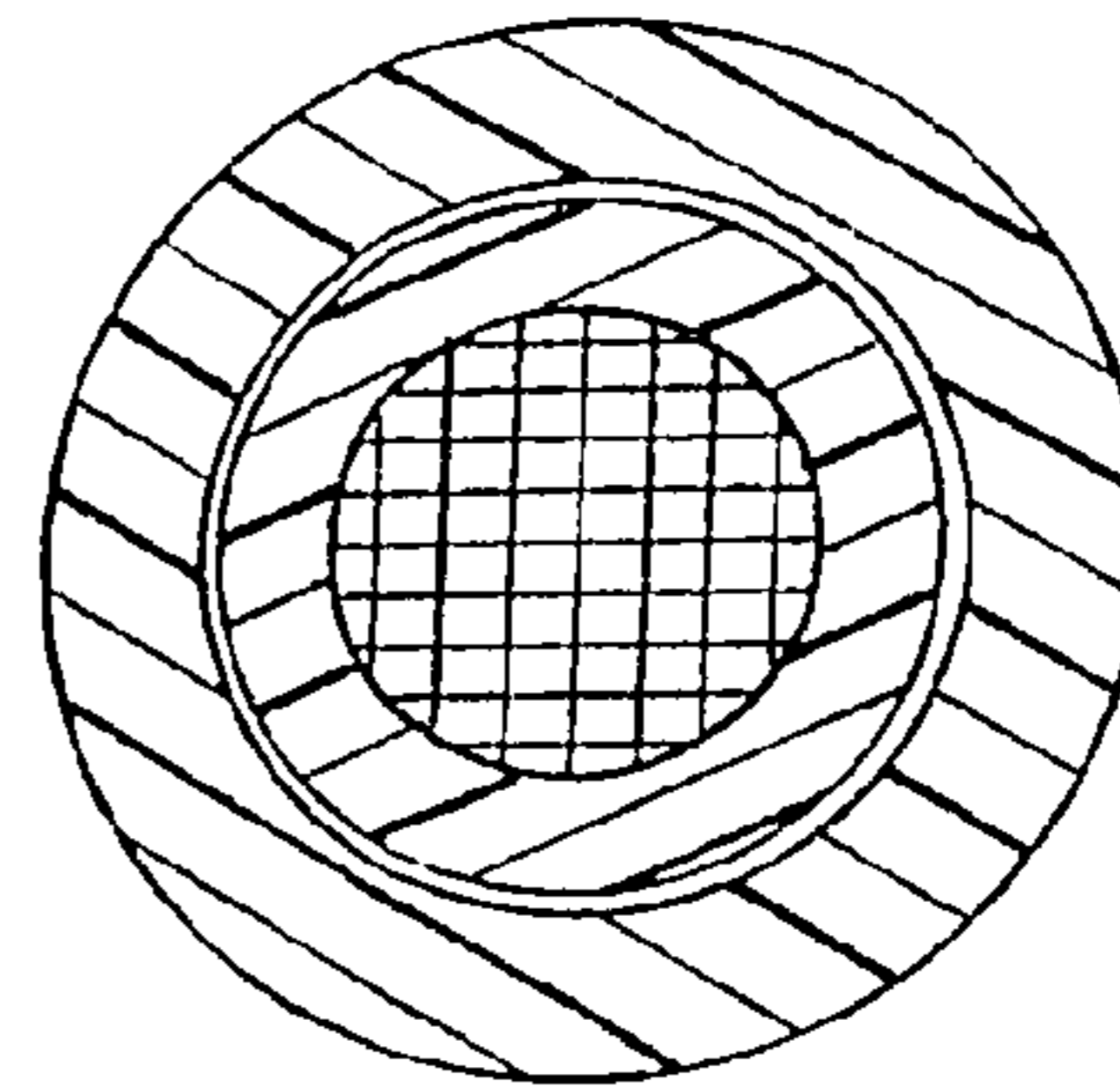


FIG. 5

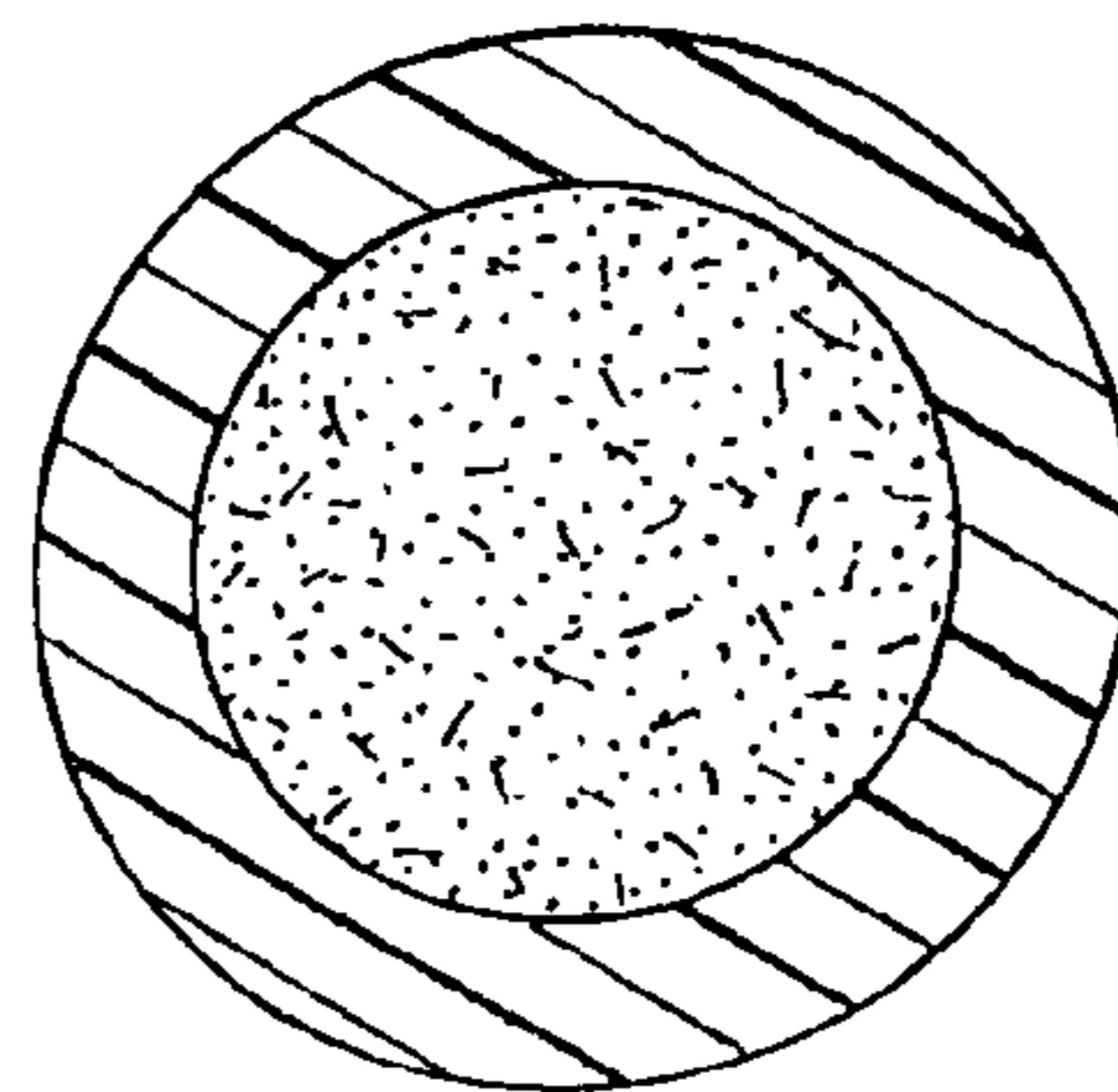


FIG. 6

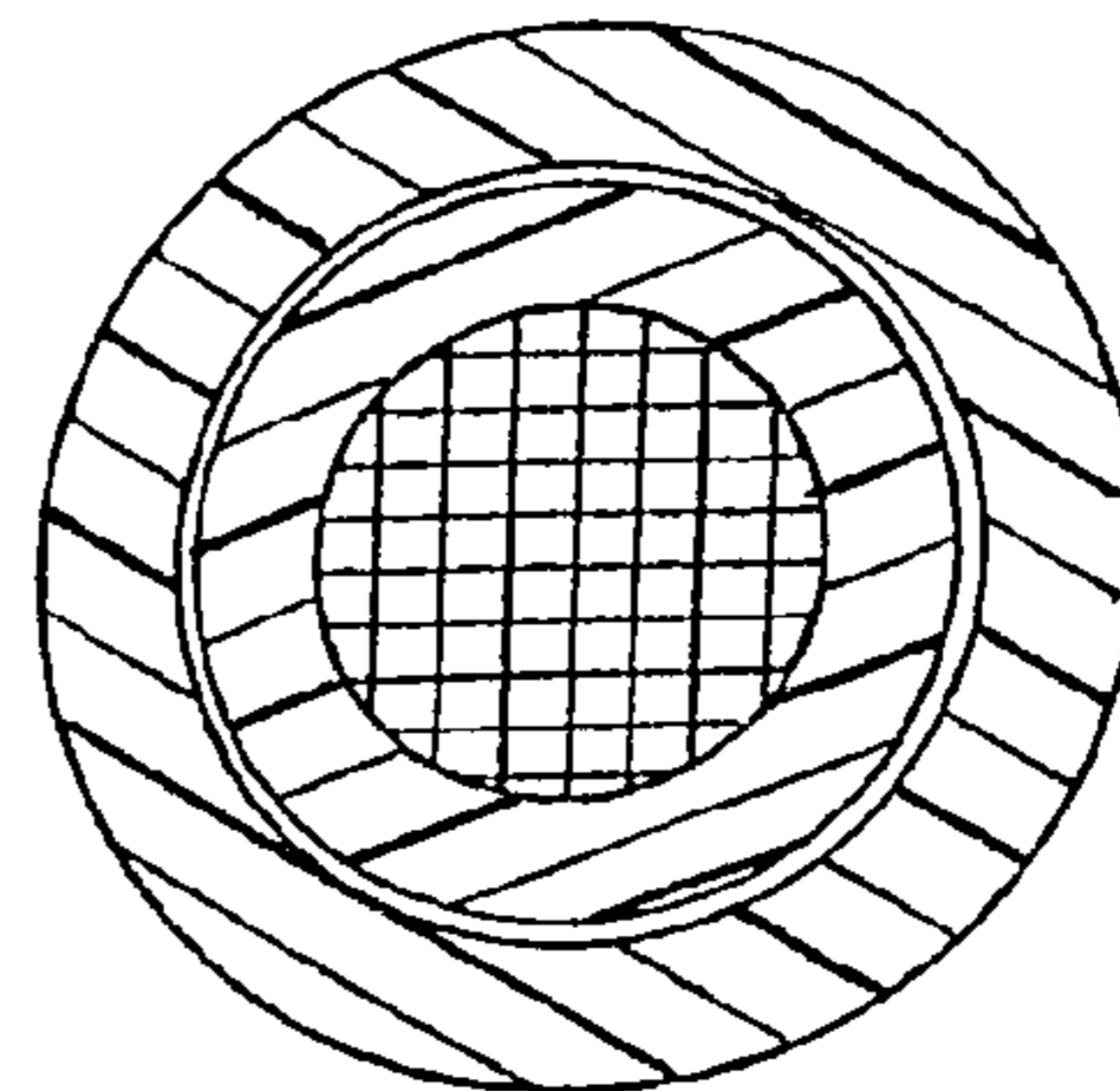


FIG. 7