



US00D717395S

(12) **United States Design Patent**  
**Neto**

(10) **Patent No.:** **US D717,395 S**

(45) **Date of Patent:** **\*\* Nov. 11, 2014**

(54) **FILTER ELEMENT CAP**  
(71) Applicant: **Parker Hannifin Industria E Comercio Ltda., Jacarei (BR)**  
(72) Inventor: **Genaro Pascale Neto, Sao Paulo (BR)**  
(73) Assignee: **Parker Hannifin Industria E Comercio Ltda., Jacarei-SP (BR)**  
(\*\*) Term: **14 Years**

5,336,405 A \* 8/1994 Tang et al. .... 210/232  
5,779,903 A \* 7/1998 Smith et al. .... 210/440  
6,158,592 A \* 12/2000 Reinhart et al. .... 210/443  
D477,659 S \* 7/2003 Gieseke et al. .... D23/365  
D528,630 S \* 9/2006 Booth ..... D23/209  
7,232,522 B1 \* 6/2007 Lasley et al. .... 210/232  
D546,412 S \* 7/2007 Kennedy et al. .... D23/209  
D626,208 S \* 10/2010 Clements ..... D23/386  
8,070,945 B2 \* 12/2011 Stankowski et al. .... 210/232  
8,167,966 B2 \* 5/2012 Amirkhanian et al. .... 55/357  
D666,704 S \* 9/2012 Osendorf et al. .... D23/365  
D672,447 S \* 12/2012 Yano et al. .... D23/365  
D691,252 S \* 10/2013 Moredock et al. .... D23/365

(21) Appl. No.: **29/453,398**

(22) Filed: **Apr. 29, 2013**

(30) **Foreign Application Priority Data**

Oct. 29, 2012 (BR) ..... 3020120056373

(51) **LOC (10) Cl.** ..... **23-01**

(52) **U.S. Cl.**  
USPC ..... **D23/209; D23/365**

(58) **Field of Classification Search**  
CPC ..... B01D 27/00; B01D 35/30; B01D 27/08  
USPC ..... D23/207, 209, 365; 210/493.2, 497.01,  
210/464; 55/498  
See application file for complete search history.

(56) **References Cited**

**U.S. PATENT DOCUMENTS**

4,878,930 A \* 11/1989 Manniso et al. .... 55/493  
D317,965 S \* 7/1991 Svensson ..... D23/209  
D320,062 S \* 9/1991 Meissner ..... D23/209  
D321,745 S \* 11/1991 Murrell ..... D23/209

\* cited by examiner

*Primary Examiner* — Robin V Webster

(74) *Attorney, Agent, or Firm* — Abelman, Frayne & Schwab

(57) **CLAIM**

The ornamental design for a filter element cap, as shown and described herein.

**DESCRIPTION**

FIG. 1 is a front and right side perspective view of a filter element cap, according to the present invention;  
FIG. 2 is a top, rear and right side perspective view of the filter element cap of FIG. 1;  
FIG. 3 is a left side view of the filter element cap of FIG. 1, the right side being a mirror image;  
FIG. 4 is front view of the filter element cap of FIG. 1; and,  
FIG. 5 is a rear view of the filter element cap of FIG. 1.  
The portions of the disclosure that are shown in broken lines form no part of the claimed design.

**1 Claim, 4 Drawing Sheets**

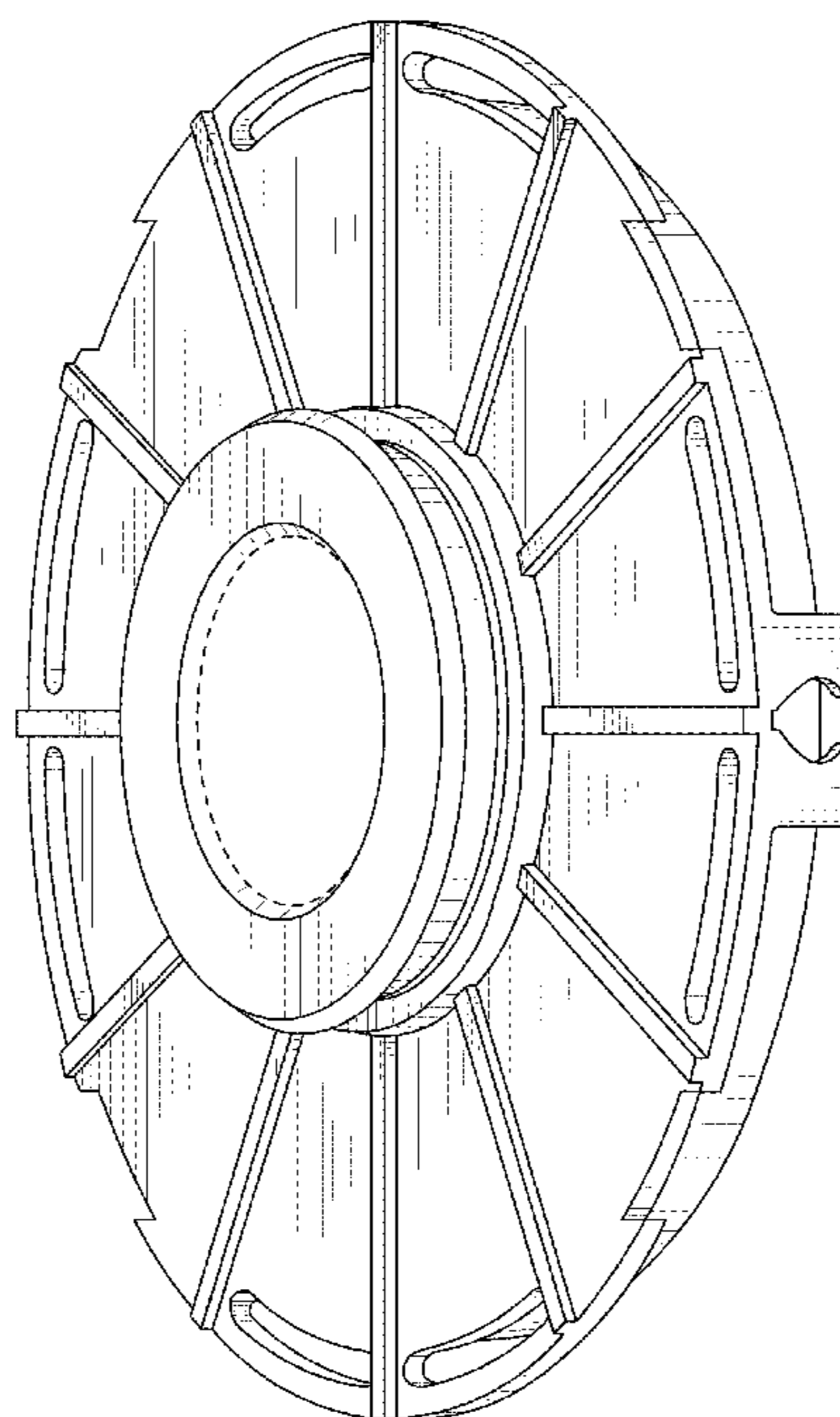


FIG. 1

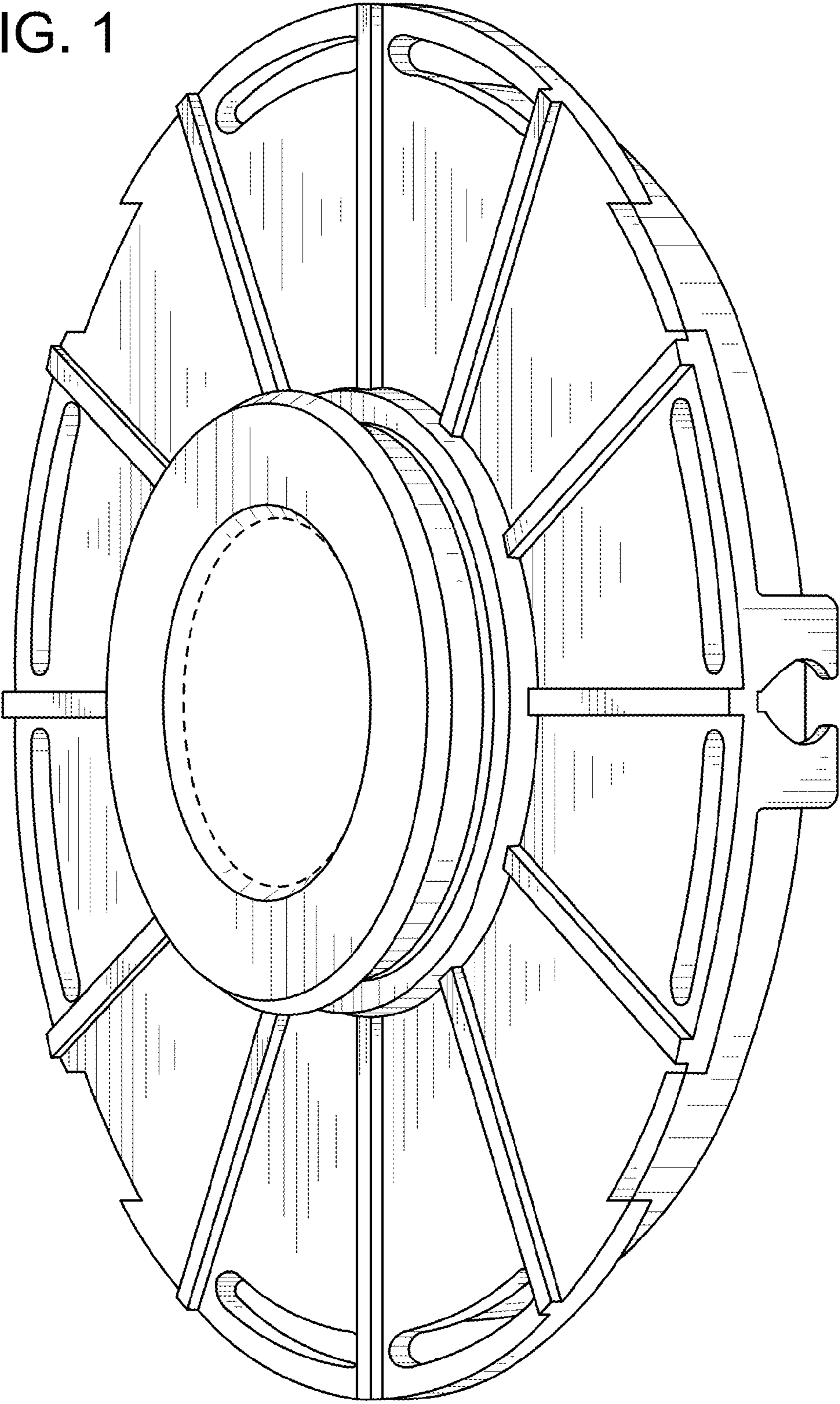


FIG. 2

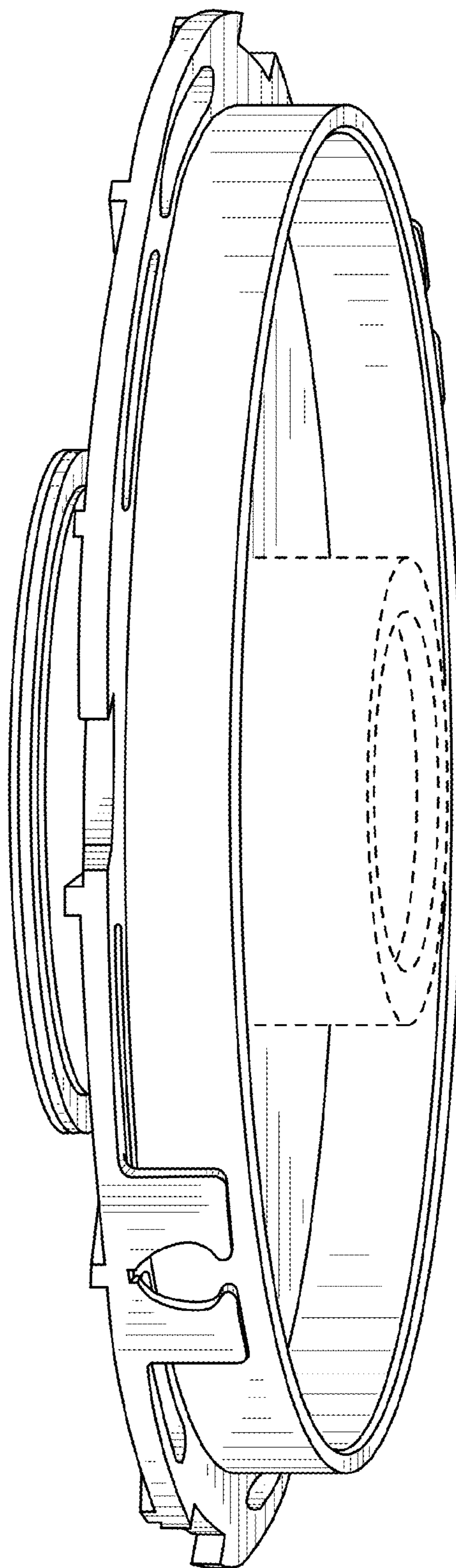


FIG. 3

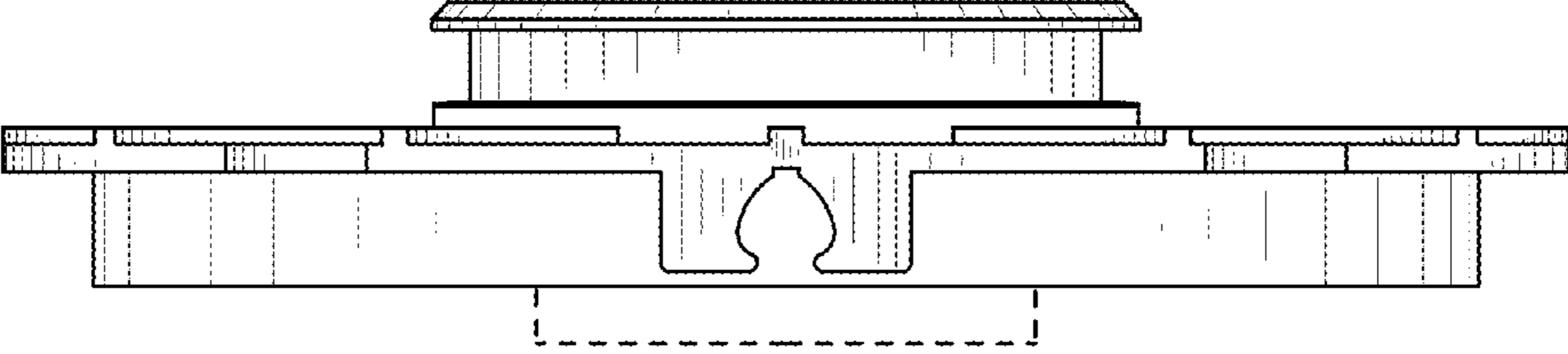


FIG. 4

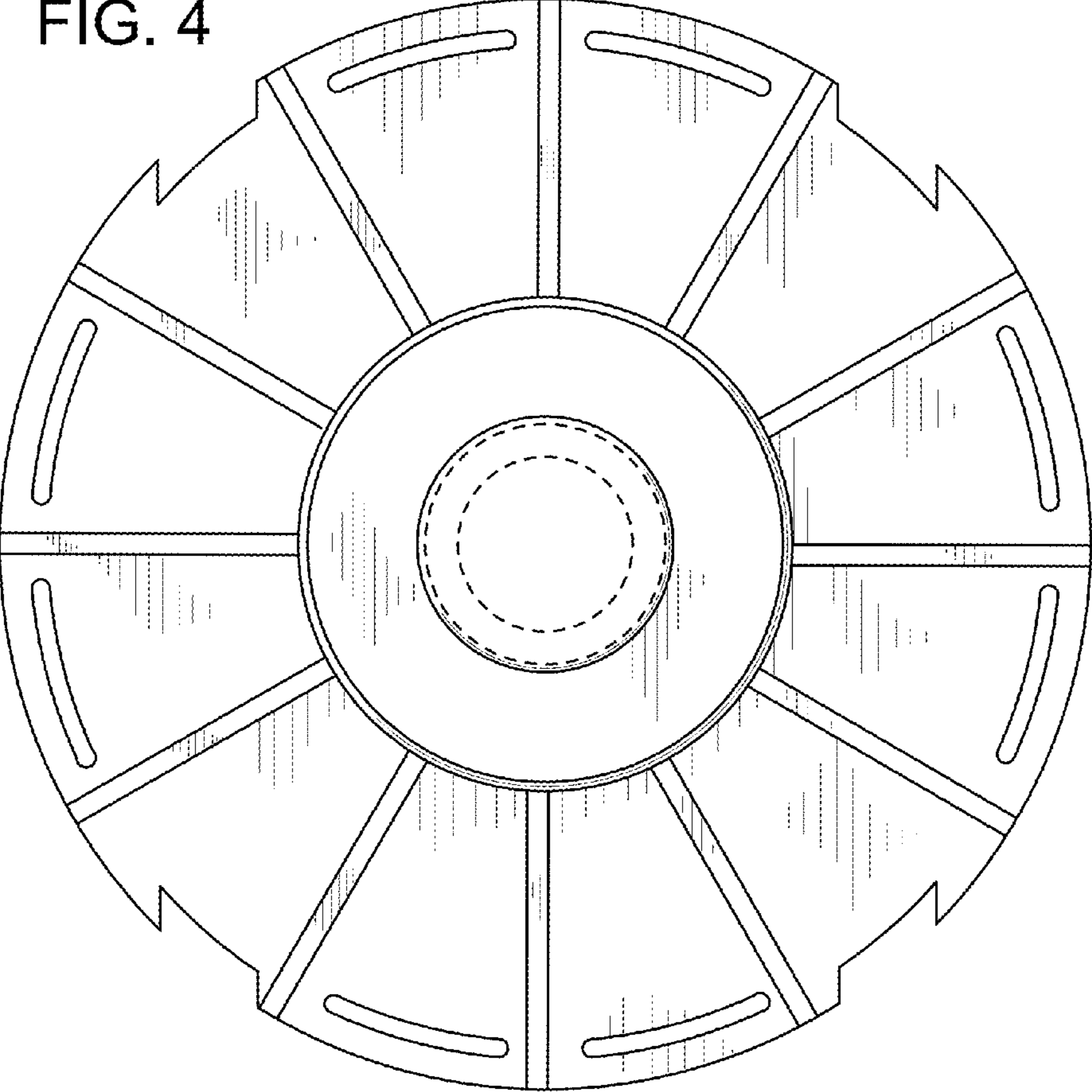


FIG. 5

