

US00D717393S

(12) **United States Design Patent**
Clifton, Jr. et al.

(10) **Patent No.:** **US D717,393 S**

(45) **Date of Patent:** **** Nov. 11, 2014**

(54) **ATTACHMENT AND RELEASABLE LOCK
FOR BATON IN A HOLSTER**

(71) Applicants: **Norman E. Clifton, Jr.**, Jacksonville, FL
(US); **James H. Radney**, Jacksonville,
FL (US)

(72) Inventors: **Norman E. Clifton, Jr.**, Jacksonville, FL
(US); **James H. Radney**, Jacksonville,
FL (US)

(73) Assignee: **Prezine, LLC**, Jacksonville, FL (US)

(**) Term: **14 Years**

(21) Appl. No.: **29/443,045**

(22) Filed: **Jan. 11, 2013**

(51) **LOC (10) Cl.** **22-01**

(52) **U.S. Cl.**
USPC **D22/117**

(58) **Field of Classification Search**
USPC D22/117; 224/197, 200, 251, 678,
224/914-91, 245, 514, 521; 403/325,
403/374.1; 248/410; 24/524, 649

See application file for complete search history.

(56) **References Cited**

U.S. PATENT DOCUMENTS

5,108,066	A *	4/1992	Lundstrom	248/410
5,617,980	A *	4/1997	Parsons et al.	224/251
5,772,089	A *	6/1998	Parsons et al.	224/251
6,059,157	A *	5/2000	Parsons et al.	224/251
6,497,349	B1 *	12/2002	Ramirez	224/245
6,889,878	B2 *	5/2005	Parsons	224/200

* cited by examiner

Primary Examiner — Catheri Oliver-Garcia

(74) *Attorney, Agent, or Firm* — Arthur G. Yeager

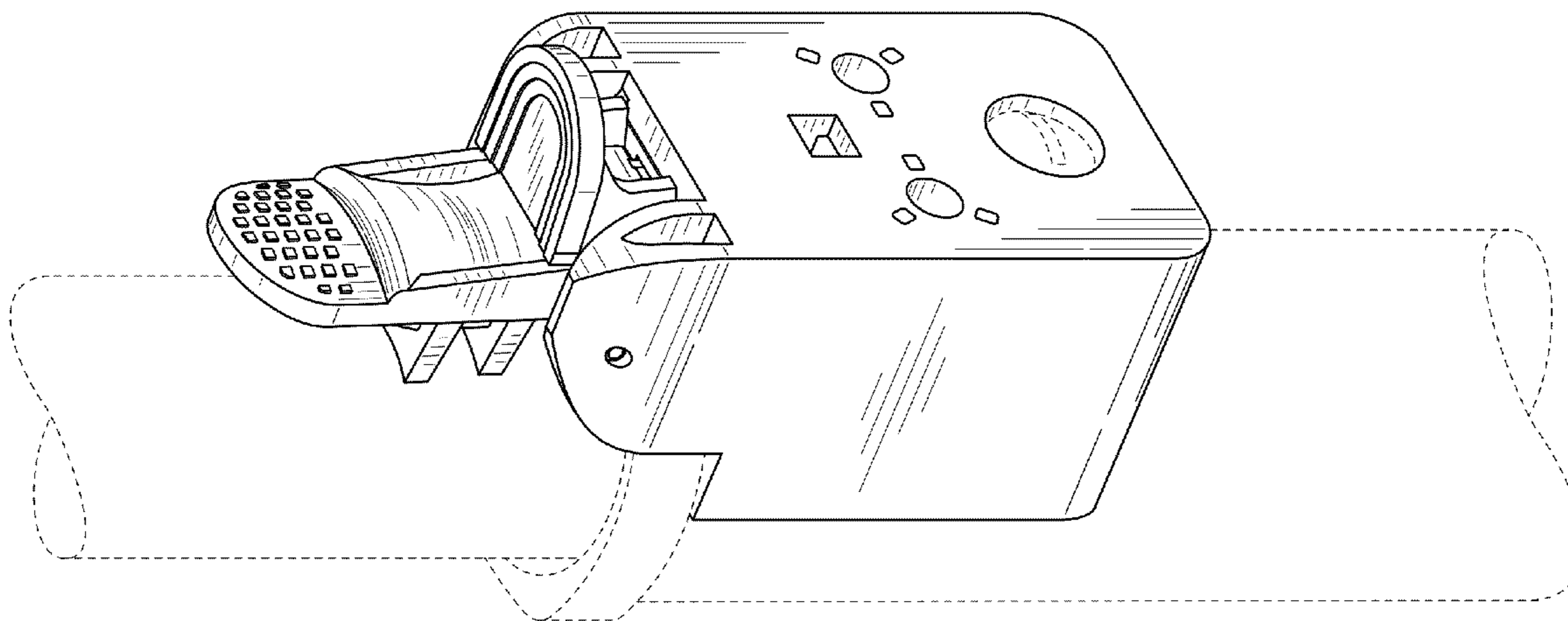
(57) **CLAIM**

The ornamental design for an attachment and releasable lock for baton in a holster, as shown and described.

DESCRIPTION

FIG. 1 is a top, rear right perspective view of an attachment and releasable lock for baton in a holster;
FIG. 2 is a top plan view thereof;
FIG. 3 is a bottom plan view thereof;
FIG. 4 is a right side elevational view thereof, the left side being a mirror image thereof;
FIG. 5 is a rear elevational view thereof to which a belt loop device, not shown, is normally attached; and,
FIG. 6 is a front elevational view thereof.
The portions of the attachment and lock for baton and holster shown in broken lines in FIGS. 1 and 5 form no part of the claimed design.

1 Claim, 4 Drawing Sheets



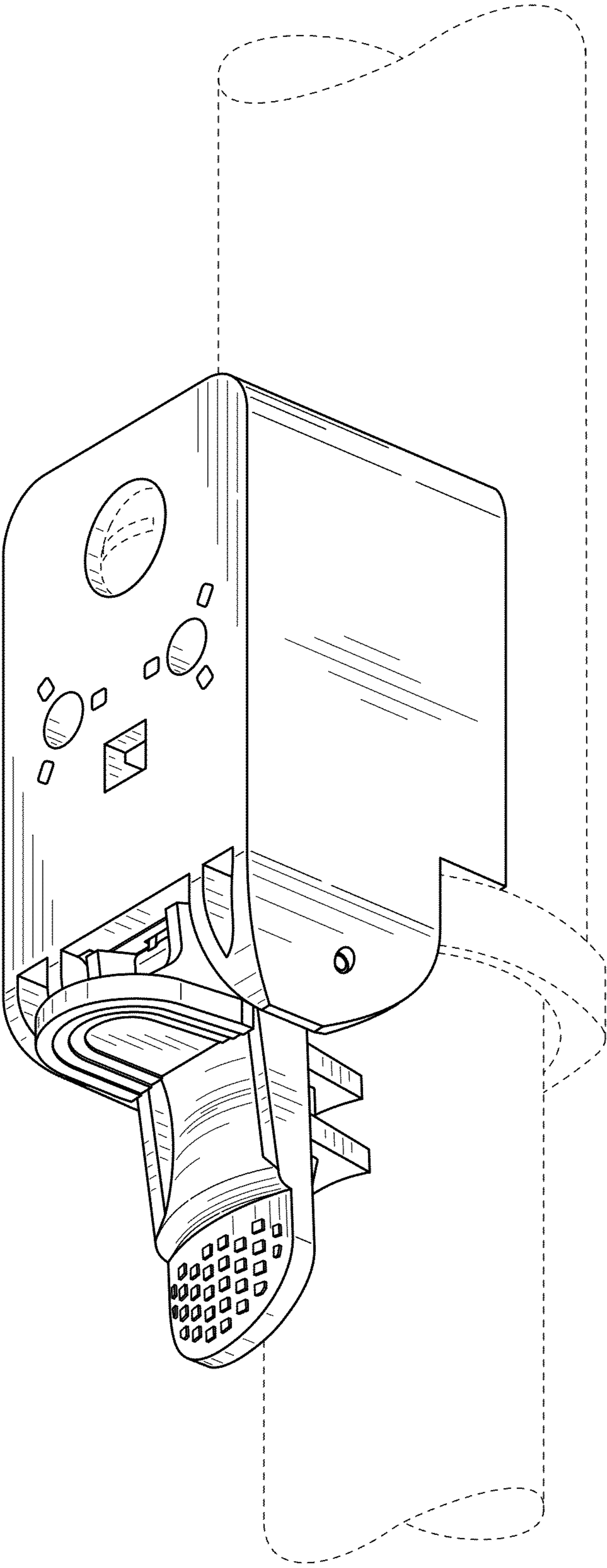


FIG. 1

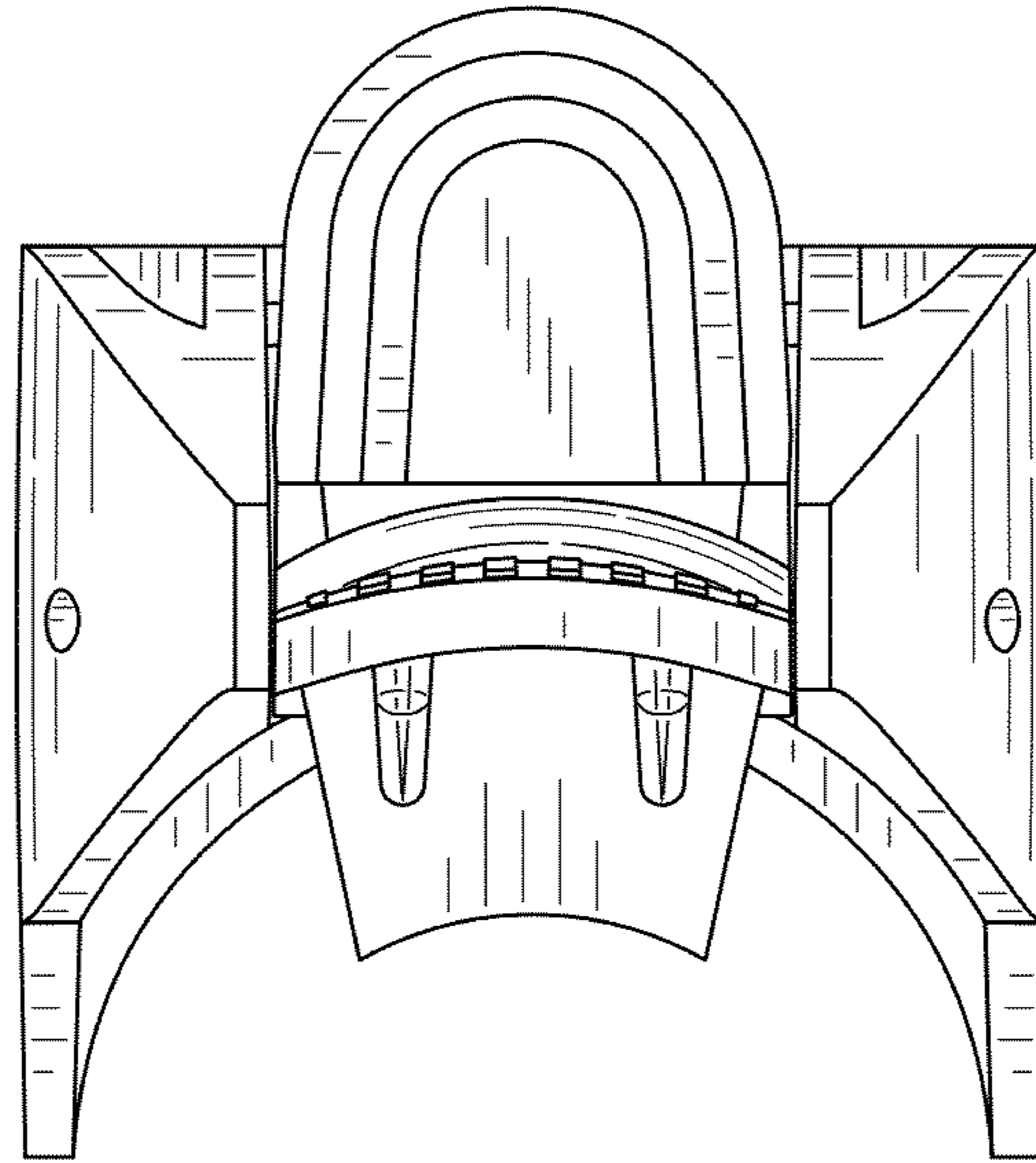


FIG. 2

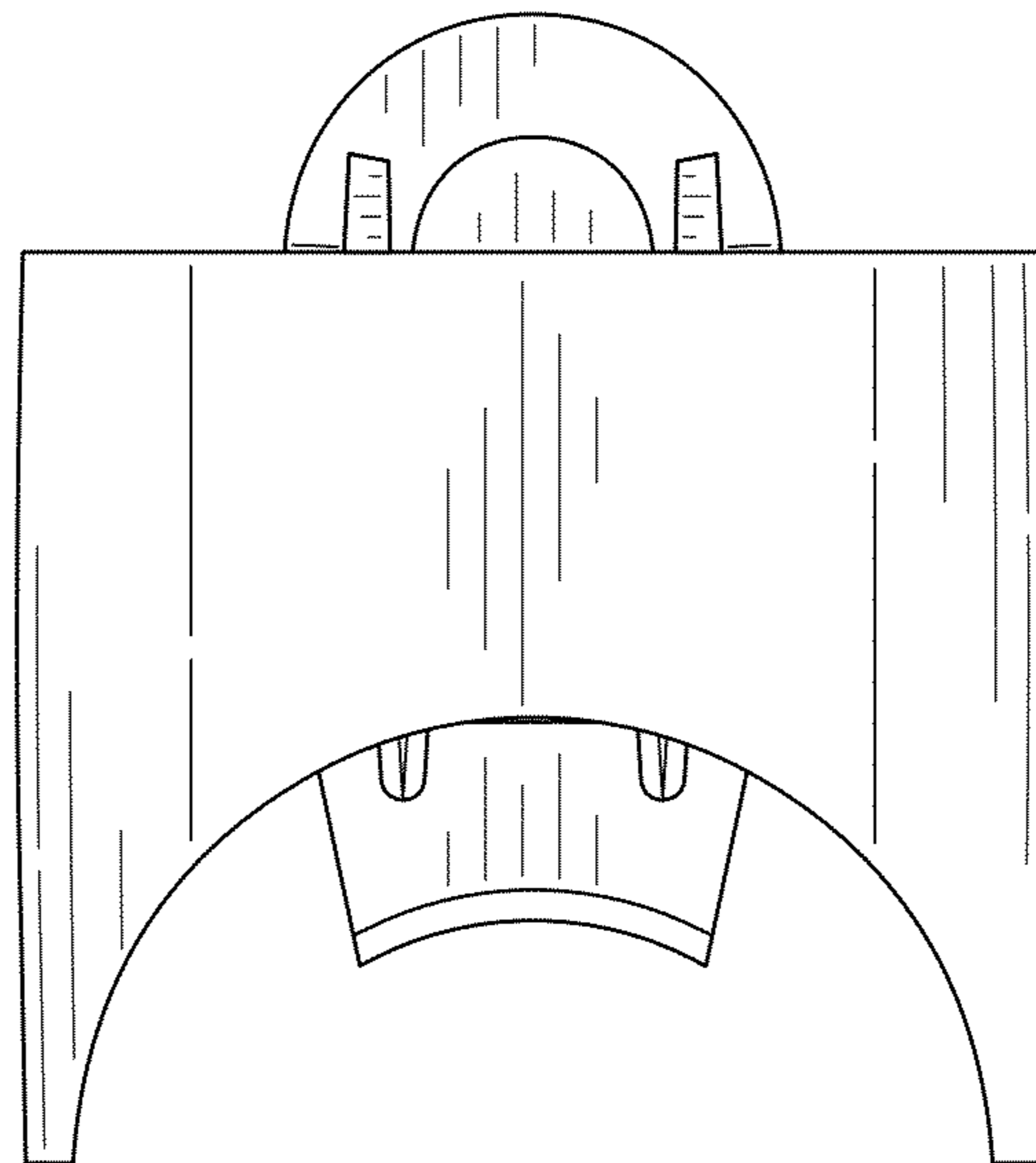


FIG. 3

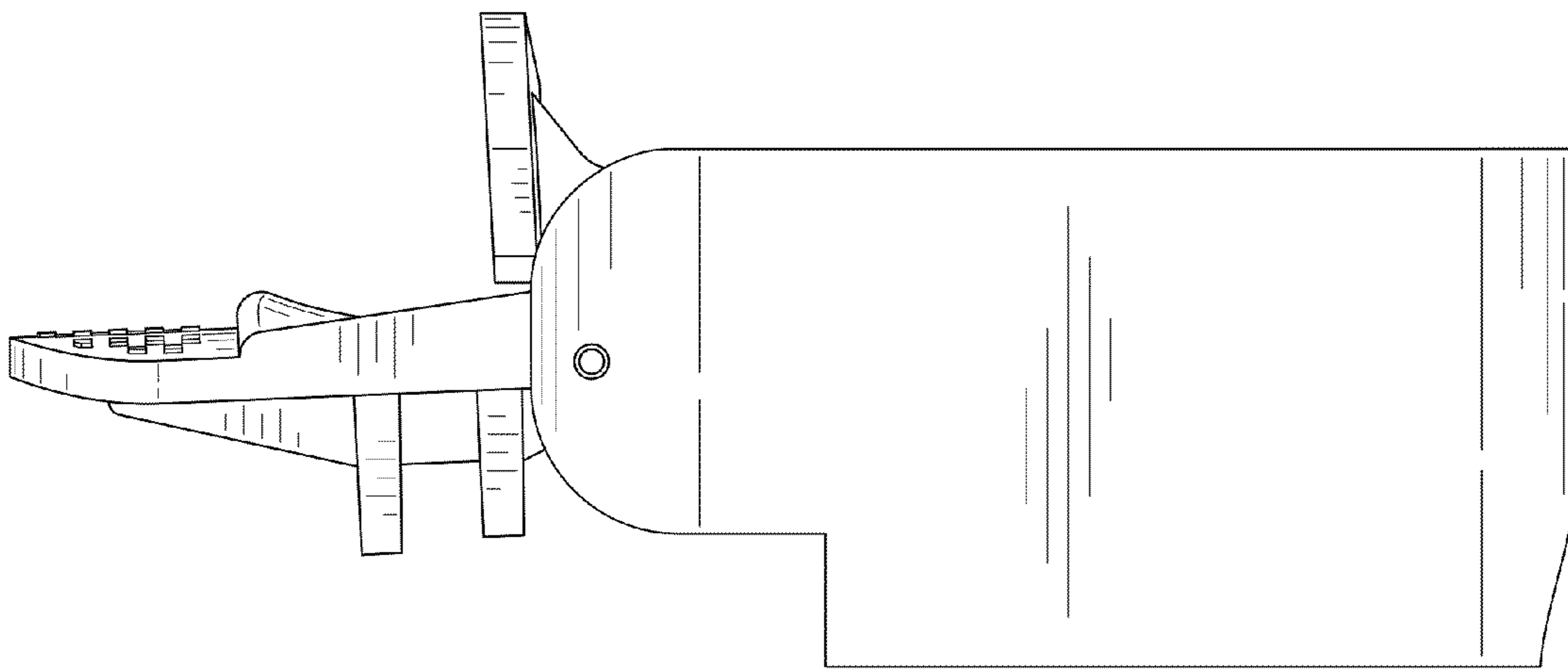


FIG. 4

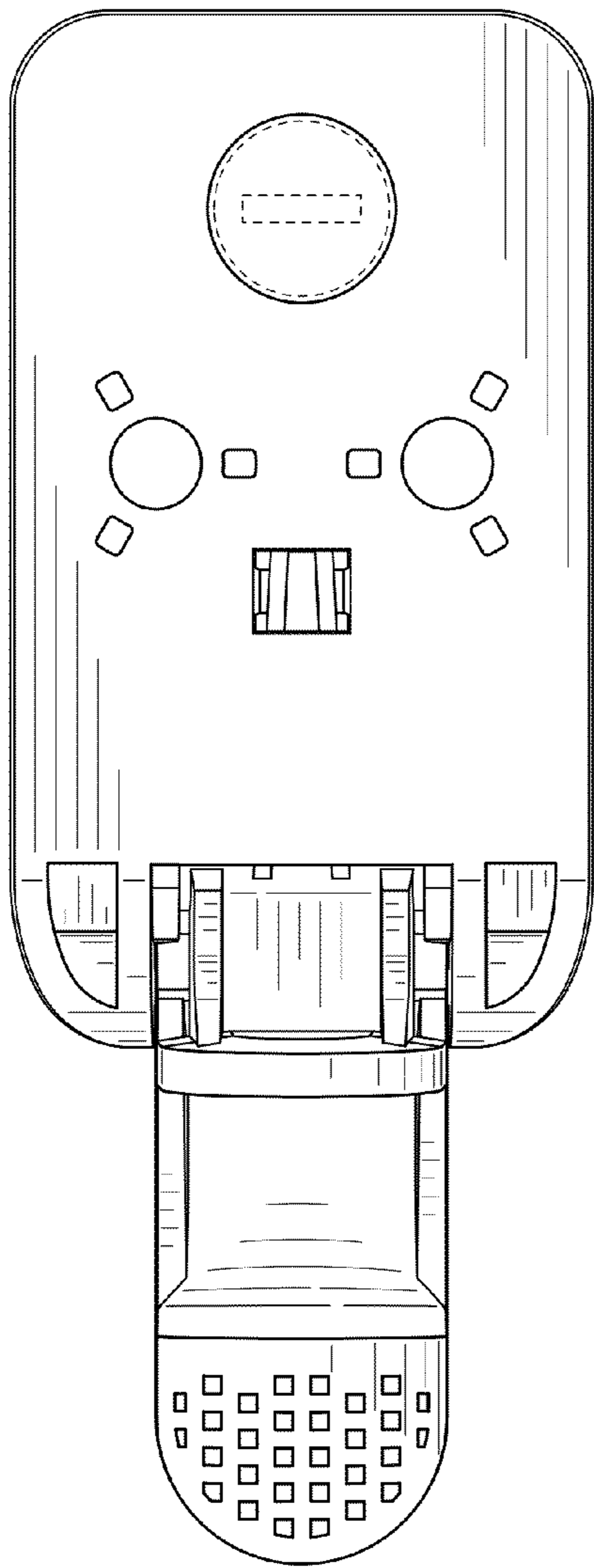


FIG. 5

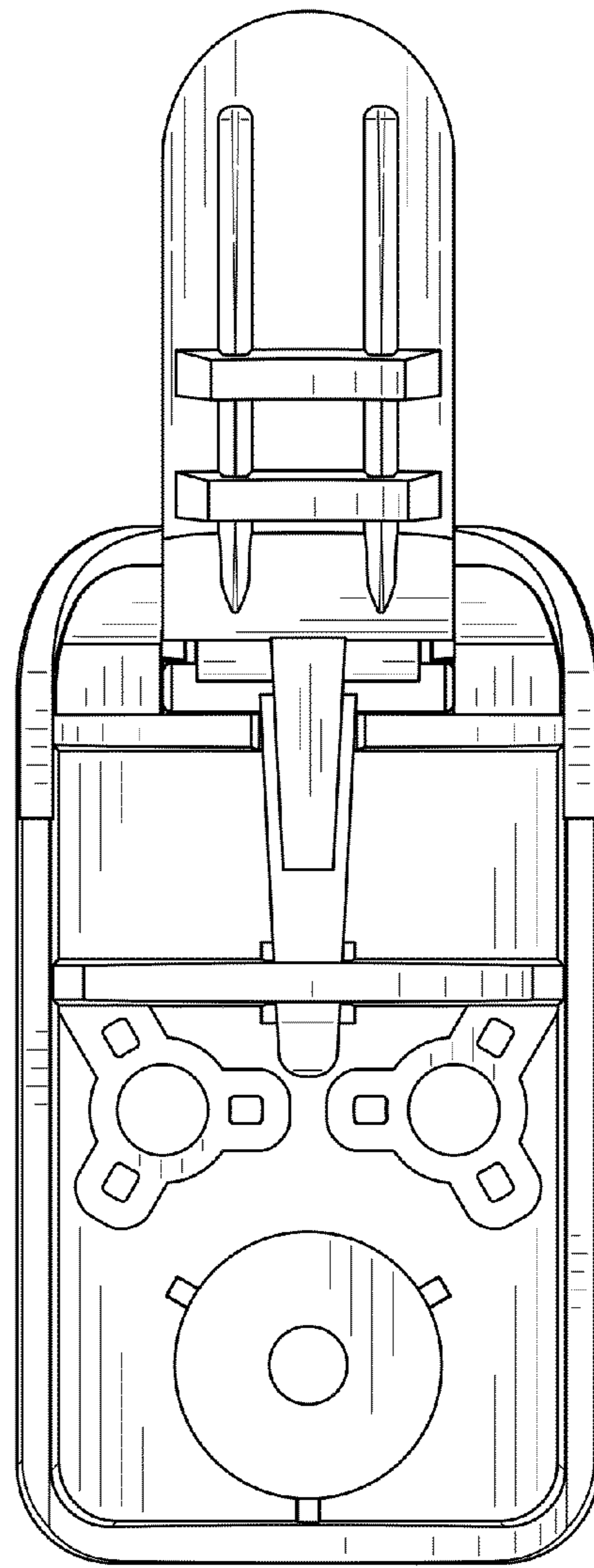


FIG. 6