



US00D717391S

(12) **United States Design Patent**  
**Pittman**

(10) **Patent No.:** **US D717,391 S**

(45) **Date of Patent:** **\*\* Nov. 11, 2014**

- (54) **SLING ATTACHMENT DEVICE**
- (71) Applicant: **Impact Weapons Components, LLC**,  
Timnath, CO (US)
- (72) Inventor: **Earl L. Pittman**, Fort Collins, CO (US)
- (73) Assignee: **Impact Weapons Components, LLC**,  
Timnath, CO (US)
- (\*\*) Term: **14 Years**
- (21) Appl. No.: **29/455,138**
- (22) Filed: **May 17, 2013**

6,598,330	B2	7/2003	Garrett et al.	
D495,870	S	9/2004	Verdugo	
7,082,709	B2	8/2006	Lindsey	
7,841,496	B1	11/2010	Schweikert	
D630,496	S *	1/2011	Allina et al.	D8/356
7,959,046	B2	6/2011	Burnsed et al.	
D685,445	S *	7/2013	Pittman	D22/108
2002/0020724	A1	2/2002	Lindsey	
2007/0257072	A1	11/2007	Pena et al.	
2008/0217371	A1	9/2008	Wemmer	
2011/0186603	A1	8/2011	Alford	
2012/0255976	A1	10/2012	Dees	

\* cited by examiner

*Primary Examiner* — Michael A Pratt

(74) *Attorney, Agent, or Firm* — Cooley LLP

**Related U.S. Application Data**

- (62) Division of application No. 29/409,482, filed on Dec. 23, 2011, now Pat. No. Des. 685,445.
- (51) **LOC (10) Cl.** ..... **22-01**
- (52) **U.S. Cl.**  
USPC ..... **D22/108**
- (58) **Field of Classification Search**  
USPC ..... D22/108; 42/85, 94; D29/101.1, 101.2;  
224/150; D3/214–215, 221, 262,  
D3/327–328; D8/356  
See application file for complete search history.

(57) **CLAIM**

The ornamental design for a sling attachment device, as shown and described.

**DESCRIPTION**

FIG. 1 is a perspective view thereof;  
 FIG. 2 is a top view thereof;  
 FIG. 3 is a bottom view thereof;  
 FIG. 4 is a front view thereof, the back view being a mirror image thereof;  
 FIG. 5 is a left side view thereof; and,  
 FIG. 6 is a right side view thereof.

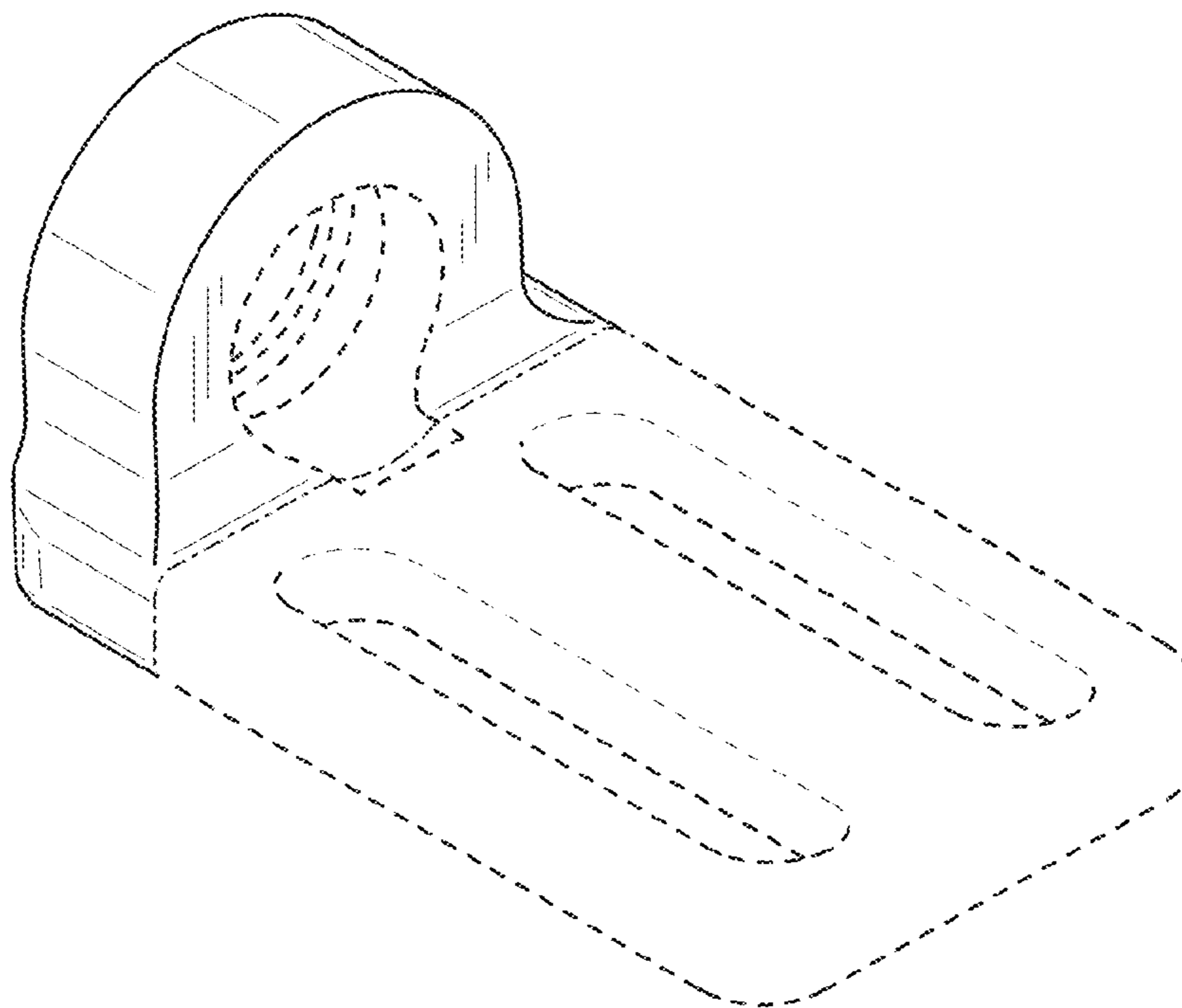
The broken lines immediately adjacent the shaded areas represent the bounds of the claimed design while all other broken lines are directed to environment and are for illustrative purposes only; the broken lines form no part of the claimed design.

(56) **References Cited**

**U.S. PATENT DOCUMENTS**

6,095,993	A *	8/2000	Hawkins	602/4
6,263,892	B1	7/2001	Baker	
6,536,153	B2	3/2003	Lindsey	

**1 Claim, 3 Drawing Sheets**



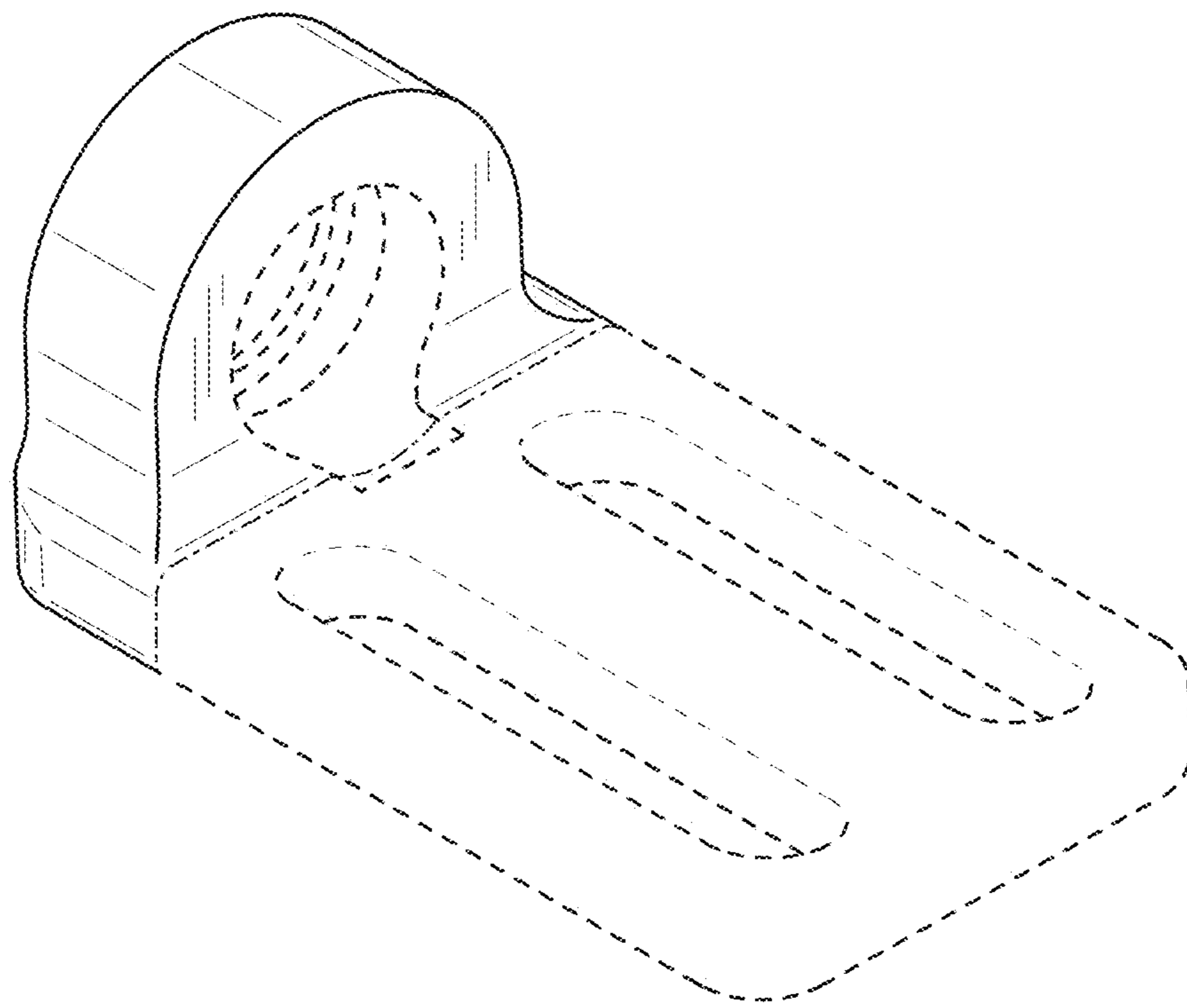


FIG.1

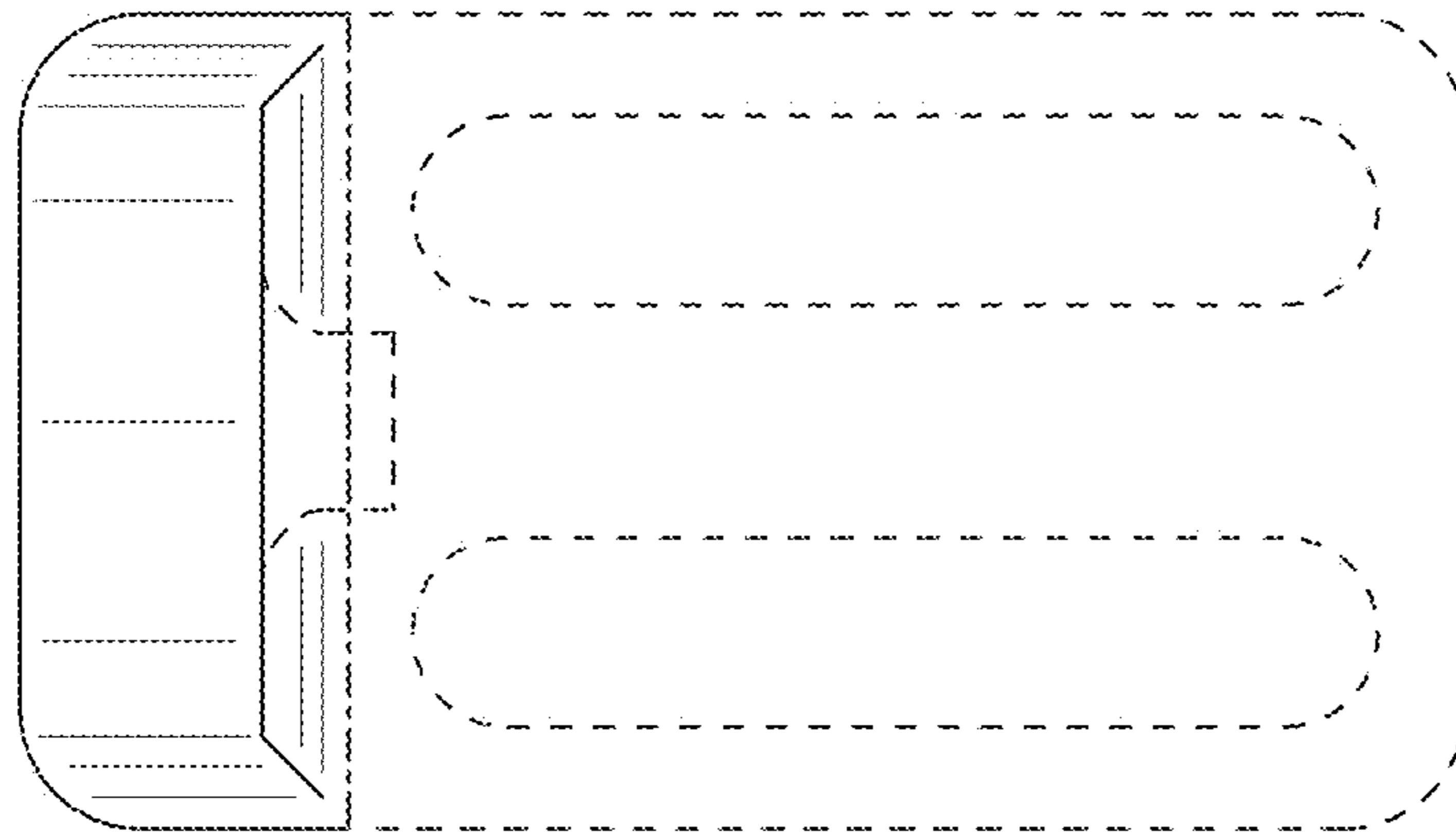


FIG. 2

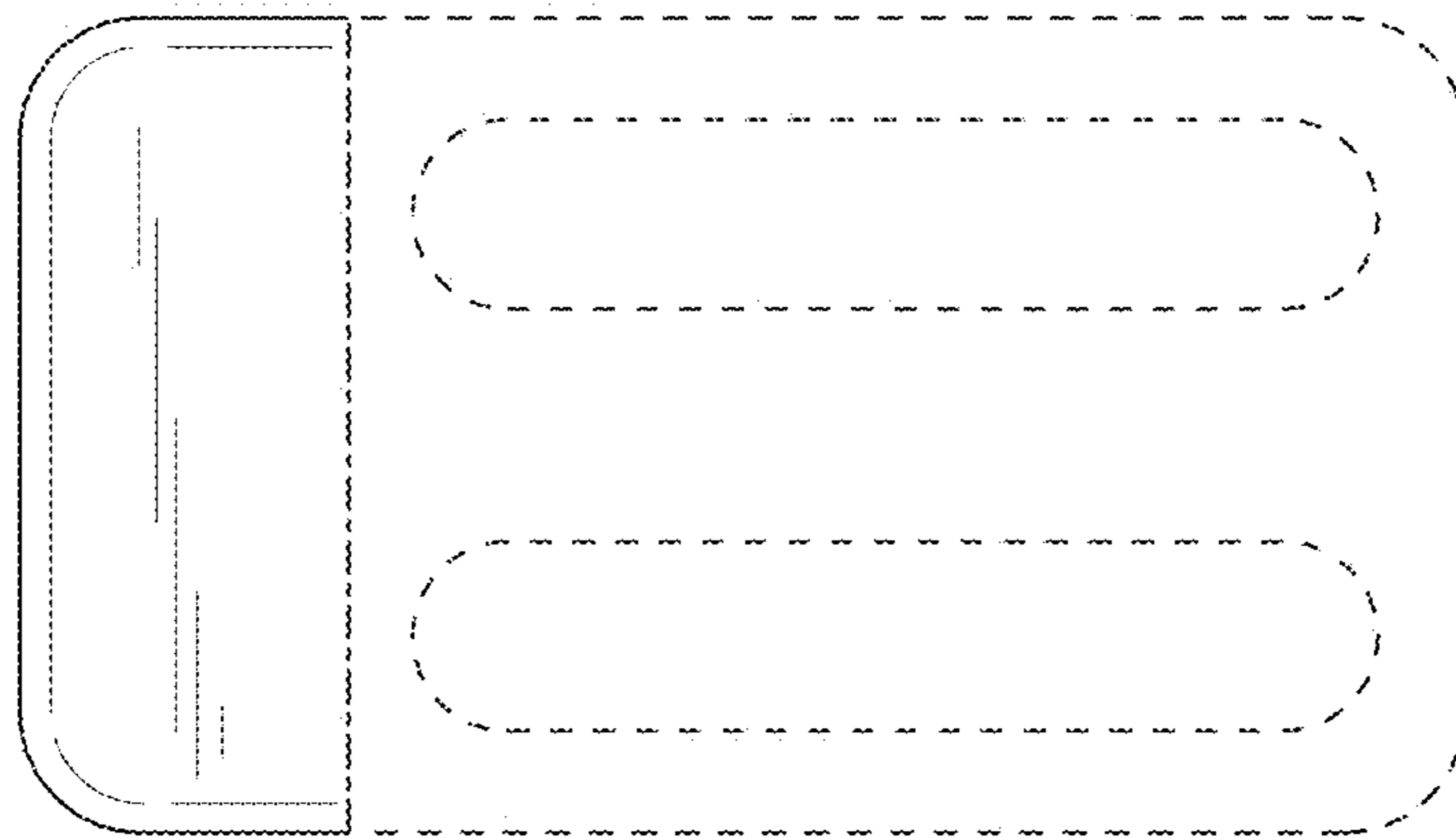


FIG. 3

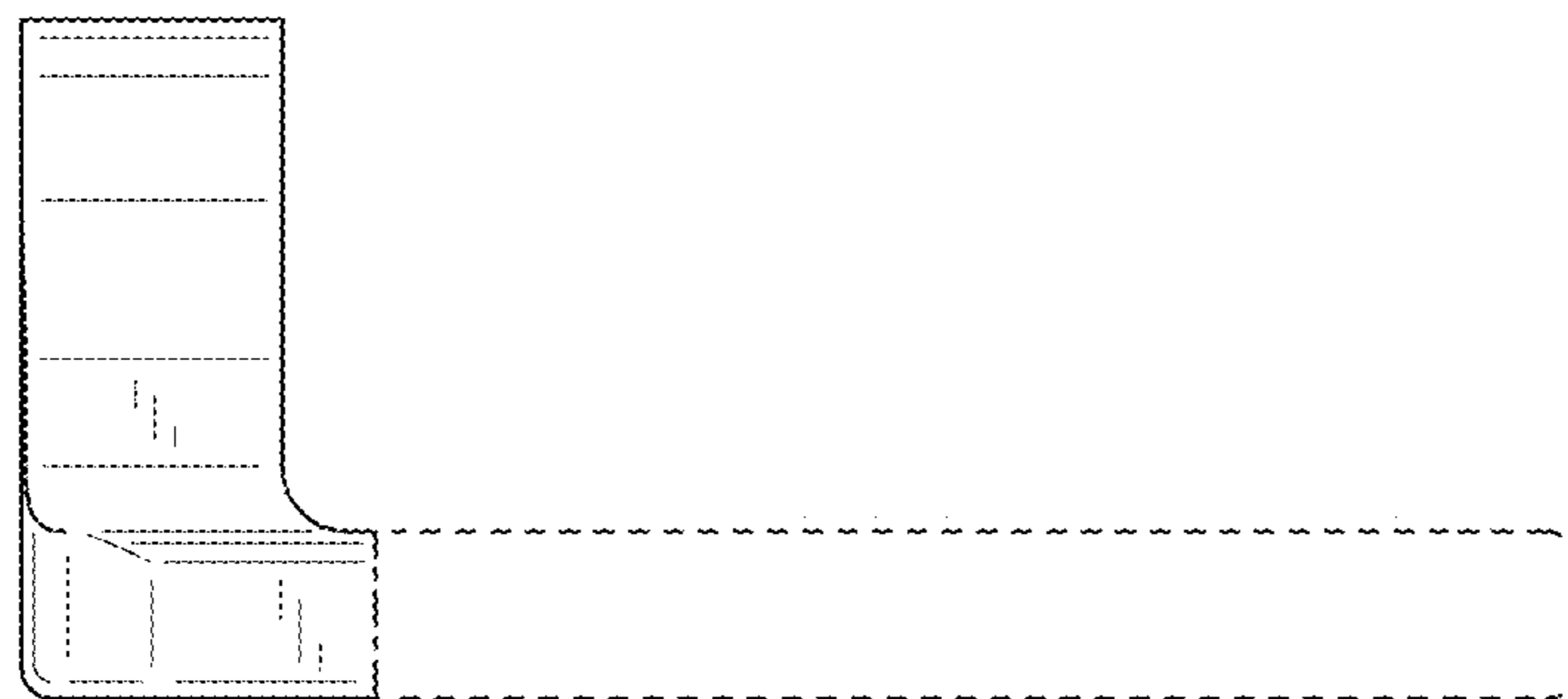


FIG. 4

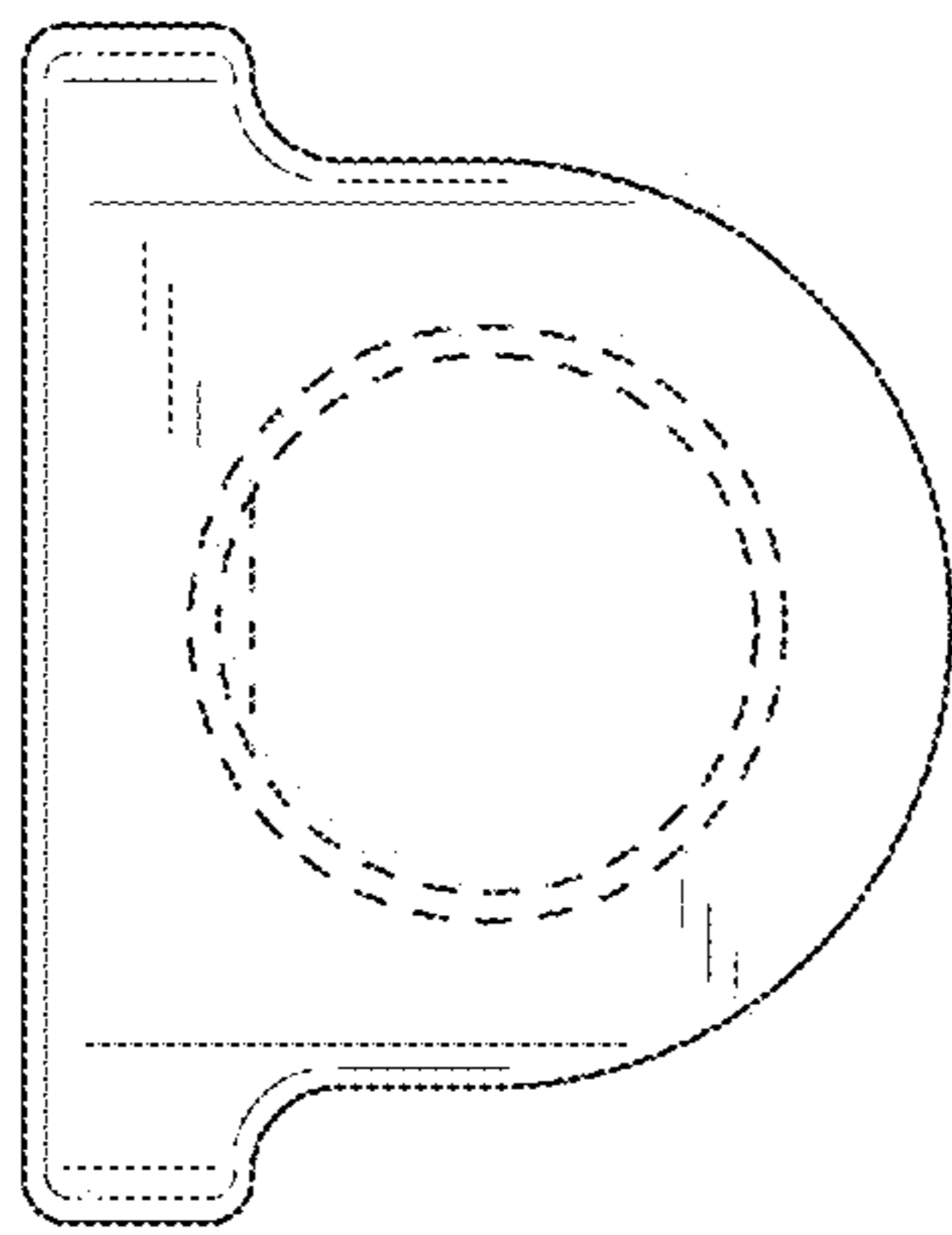


FIG. 5

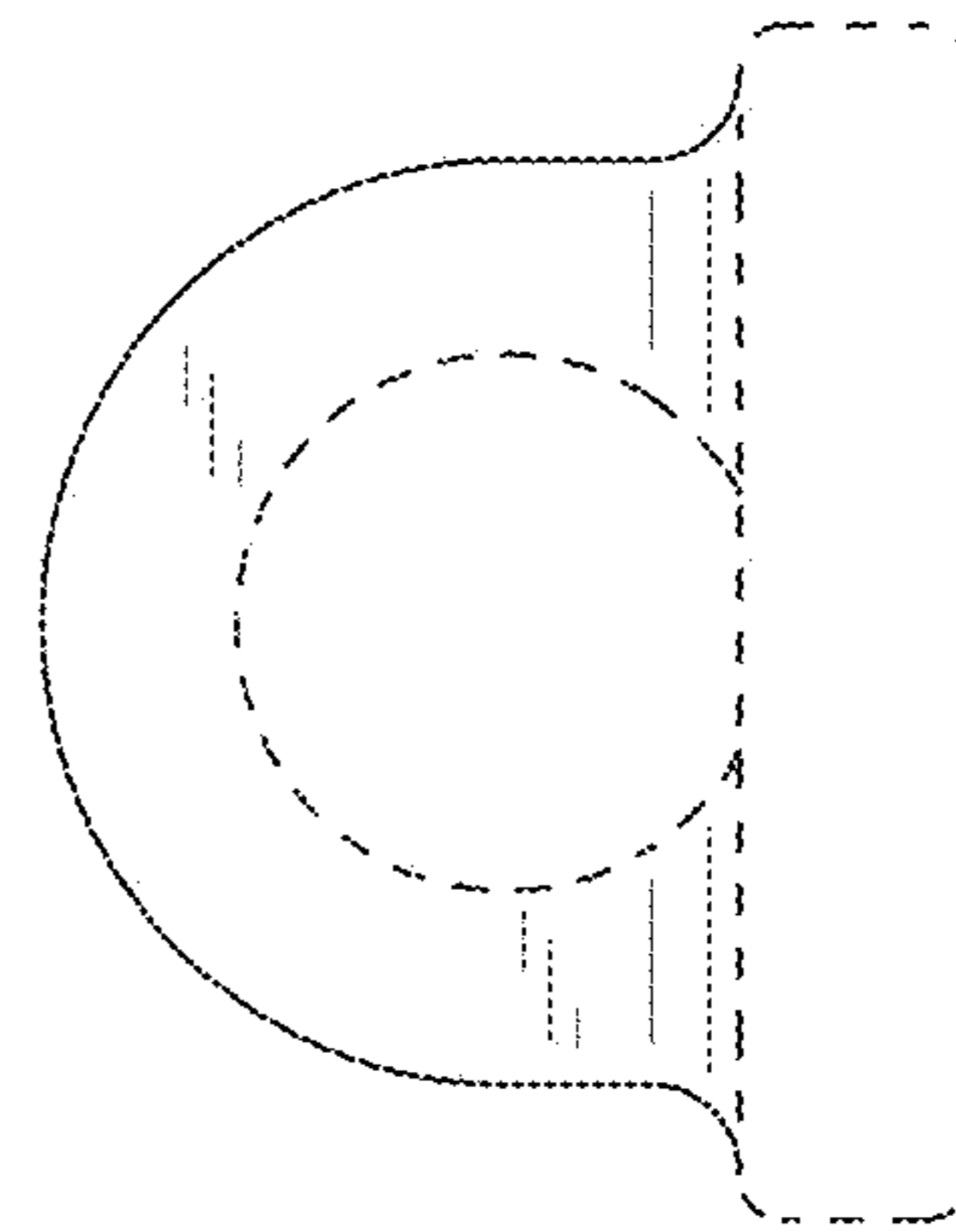


FIG. 6