



US00D717389S

(12) **United States Design Patent**
Huang

(10) **Patent No.:** **US D717,389 S**

(45) **Date of Patent:** **** Nov. 11, 2014**

(54) **STUBBY FULL CONTAINMENT NOCK FOR CROSS BOW SYSTEMS**

(71) Applicant: **Dorge O. Huang**, Henry, IL (US)

(72) Inventor: **Dorge O. Huang**, Henry, IL (US)

(**) Term: **14 Years**

(21) Appl. No.: **29/467,552**

(22) Filed: **Sep. 20, 2013**

(51) **LOC (10) Cl.** **22-01**

(52) **U.S. Cl.**
USPC **D22/107**

(58) **Field of Classification Search**
CPC F41B 5/01; F41B 5/06; F41B 5/10;
F41B 5/12; F41B 5/14; F41B 5/0026; F41B
5/0031; F41B 5/0052; F41B 5/073; F41B
5/078
USPC D22/107; 124/16-29, 86-92; 473/586
See application file for complete search history.

(56) **References Cited**

U.S. PATENT DOCUMENTS

3,815,916 A * 6/1974 Meszaros 473/586
4,502,692 A * 3/1985 Humphrey 473/586
5,154,432 A * 10/1992 Saunders 473/578

5,443,273 A * 8/1995 Lovorn 473/586
6,364,499 B1 * 4/2002 Jones 362/109
6,695,727 B1 * 2/2004 Kuhn 473/586
6,958,023 B2 * 10/2005 Simo et al. 473/586
7,300,367 B1 * 11/2007 Andol et al. 473/578
7,955,201 B2 * 6/2011 Harwath et al. 473/578
D641,827 S * 7/2011 Errett D22/115
2013/0267359 A1 * 10/2013 Pedersen 473/570
2014/0187362 A1 * 7/2014 Pedersen et al. 473/570
2014/0256479 A1 * 9/2014 Bynum, Jr. 473/470

* cited by examiner

Primary Examiner — Michael A Pratt

(74) *Attorney, Agent, or Firm* — Donald J. Ersler

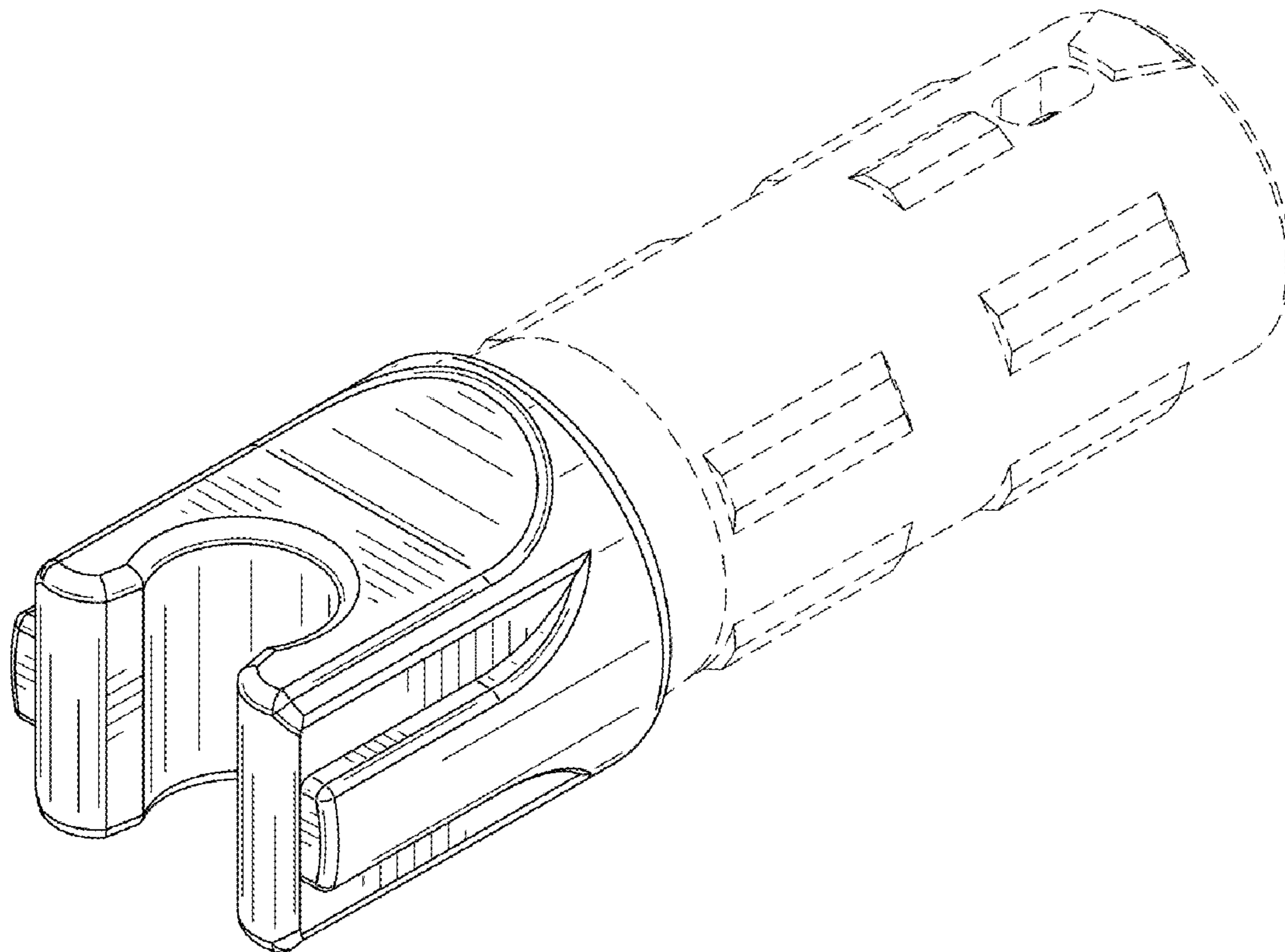
(57) **CLAIM**

The ornamental design for a stubby full containment nock for cross bow systems, as shown and described.

DESCRIPTION

FIG. 1 is a perspective view of a stubby full containment nock for cross bow systems incorporating my new design; FIG. 2 is a rear perspective view thereof; FIG. 3 is a top plan view thereof; FIG. 4 is a right side view thereof; FIG. 5 is a front elevation view thereof; and, FIG. 6 is a rear elevation view thereof. The dashed lines in FIGS. 1-6 are for illustrative purposes only and form no part of the claimed invention.

1 Claim, 2 Drawing Sheets



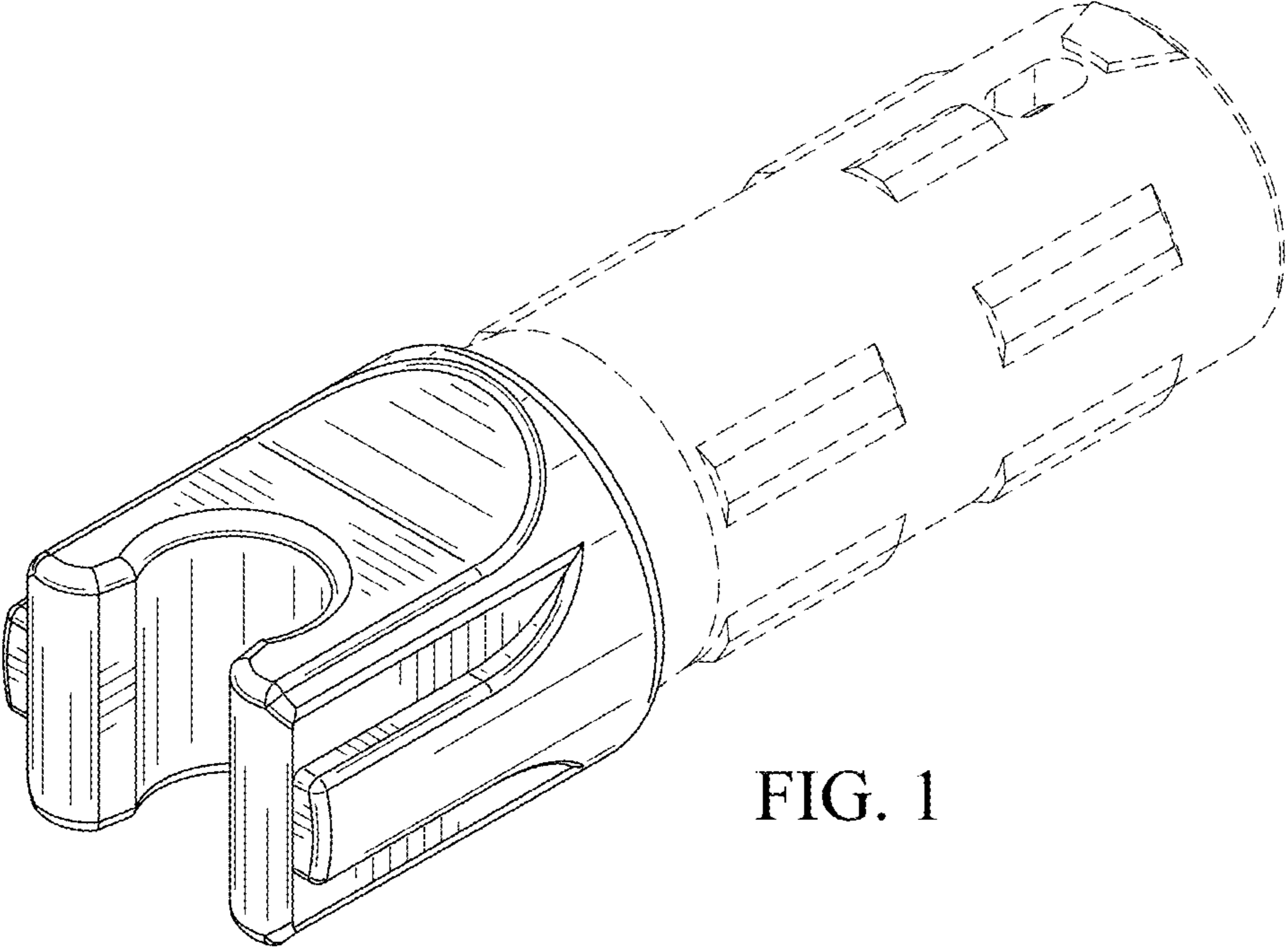


FIG. 1

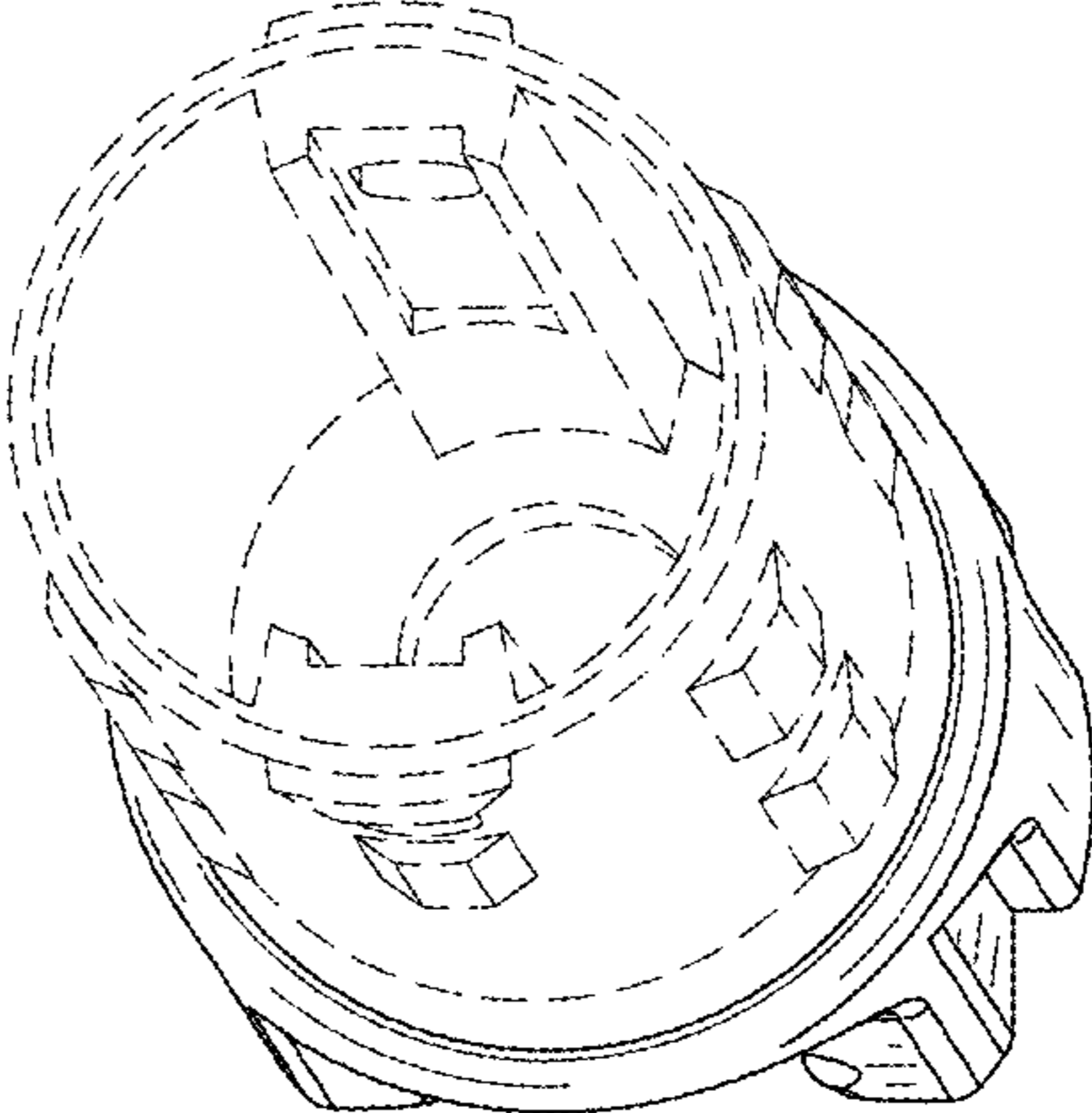


FIG. 2

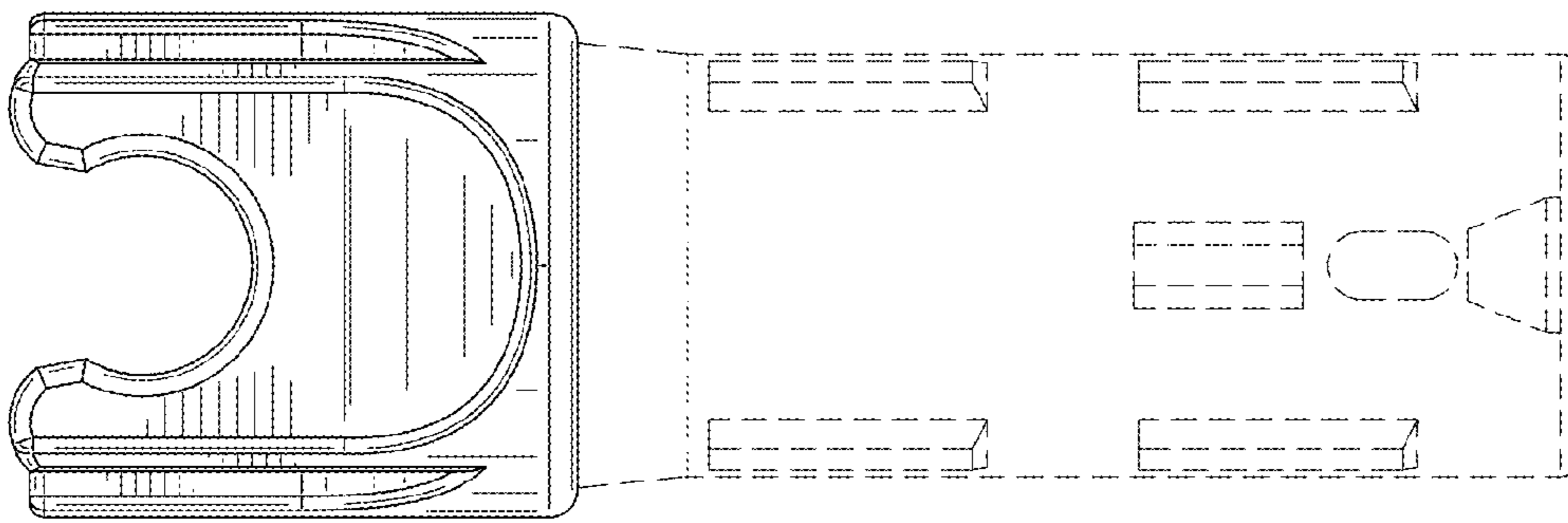


FIG. 3

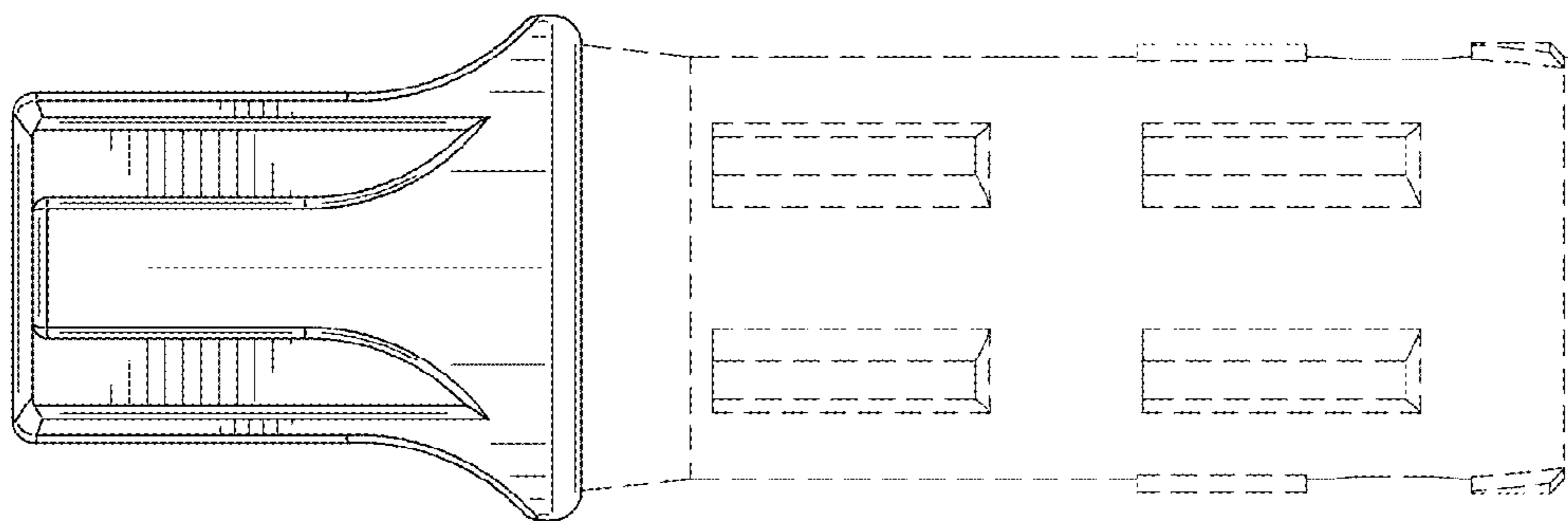


FIG. 4

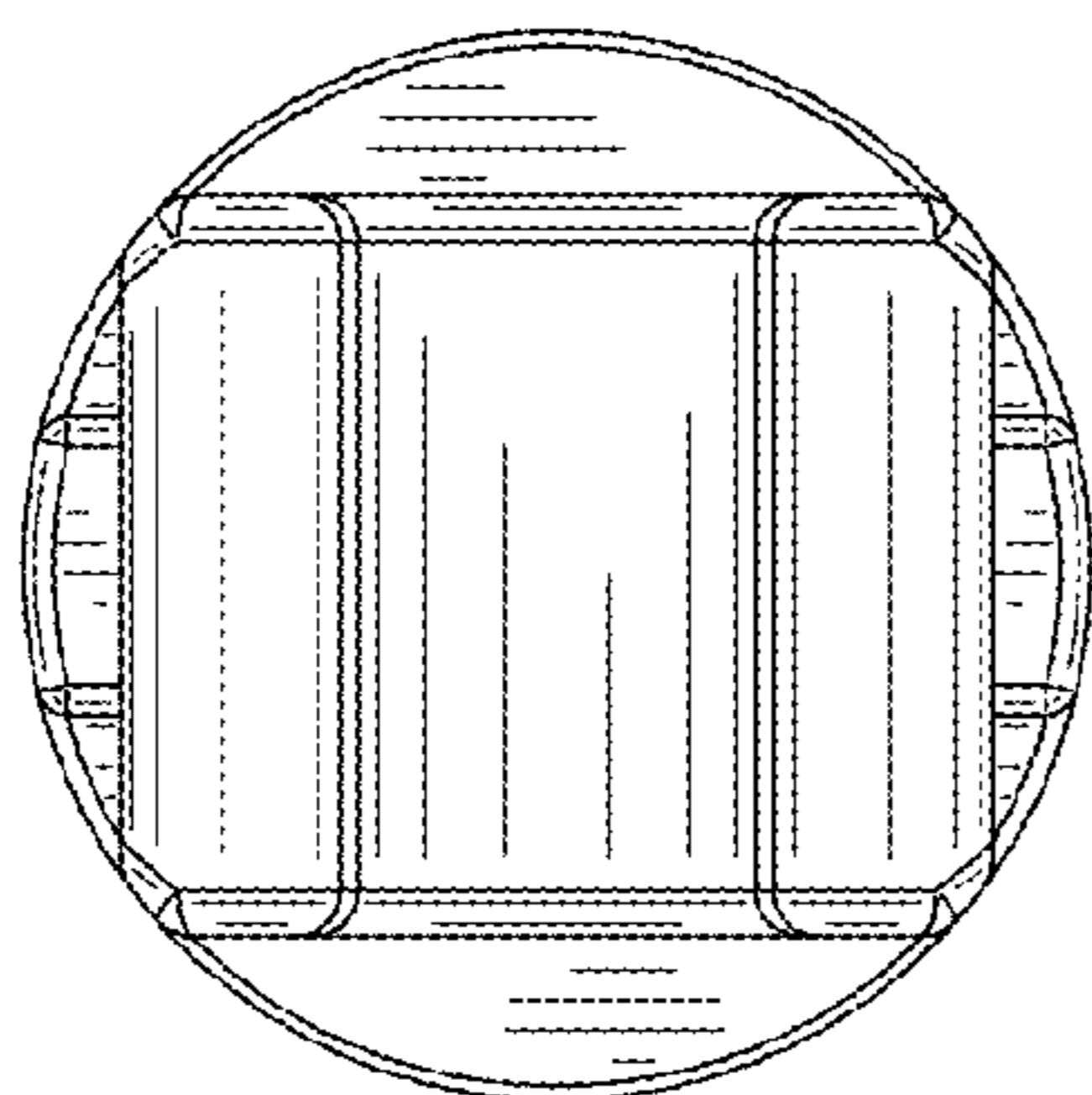


FIG. 5

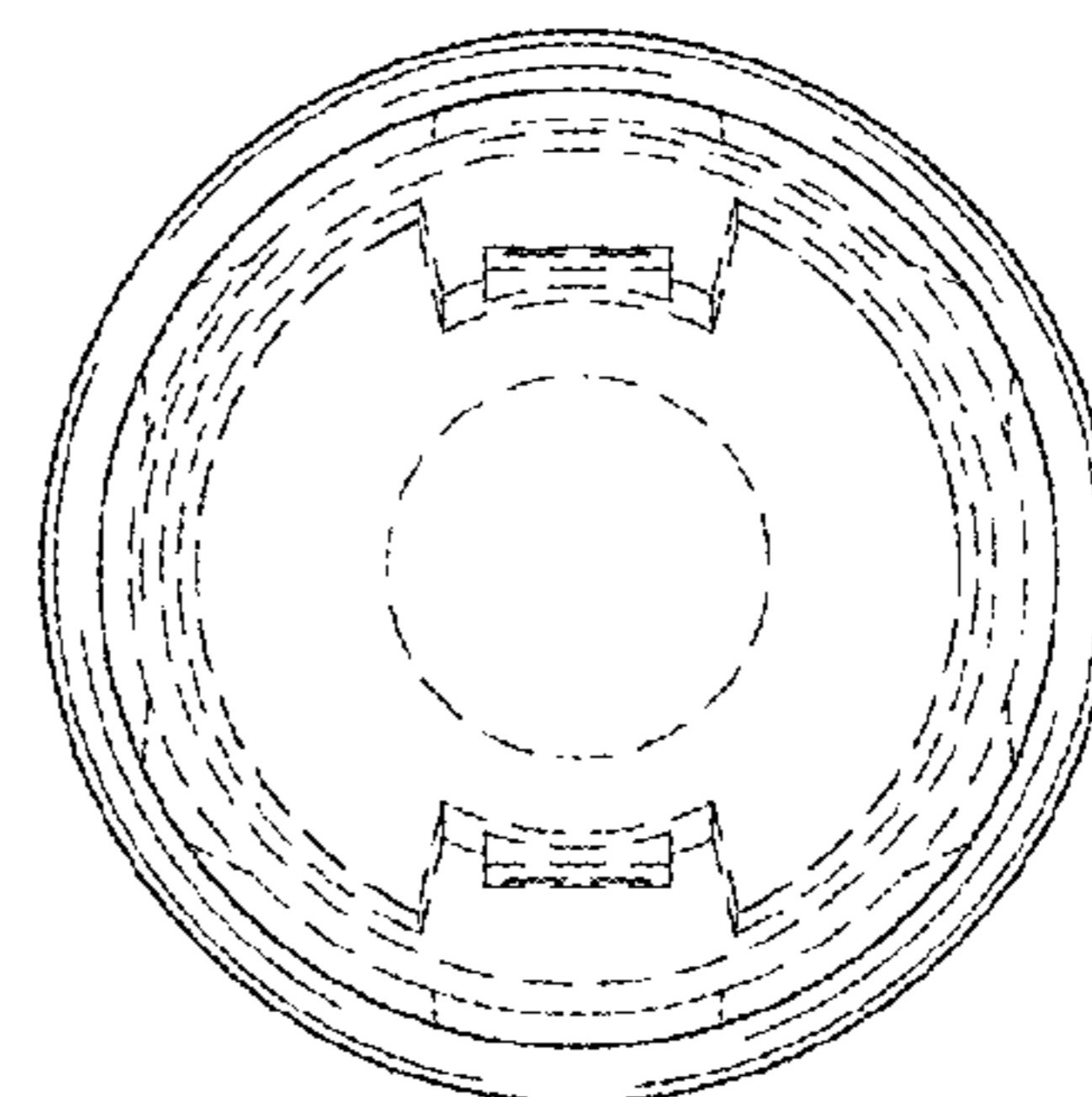


FIG. 6