



US00D717387S

(12) **United States Design Patent**
Wright

(10) **Patent No.:** **US D717,387 S**
(45) **Date of Patent:** **** Nov. 11, 2014**

(54) **CROSSBOW HOLDER FOR A GROUND
BLIND**

(71) Applicant: **Bow Buddy Holdings, LLC**, St. Helen,
MI (US)

(72) Inventor: **Ernest William Wright**, St. Helen, MI
(US)

(73) Assignee: **Bow Buddy Holdings, LLC**, St. Helen,
MI (US)

(**) Term: **14 Years**

(21) Appl. No.: **29/458,012**

(22) Filed: **Jun. 14, 2013**

(51) **LOC (10) Cl.** **22-01**

(52) **U.S. Cl.**
USPC **D22/107; D6/552**

(58) **Field of Classification Search**
CPC F41A 23/02; F41A 23/04; F41A 23/12;
F41A 23/14; F41A 23/16; F41A 23/18;
F41B 5/12
USPC D22/107; D6/552; 42/94; 211/164;
224/916; 33/265; 248/166, 309.1;
124/1, 20.1, 23.1, 86, 24.1
See application file for complete search history.

(56) **References Cited**

U.S. PATENT DOCUMENTS

D299,199 S * 1/1989 Rogowski D6/552
5,377,657 A * 1/1995 Foster et al. 124/86

OTHER PUBLICATIONS

Excalibur Crossbow, "Crossbow Stand", http://www.excaliburcrossbow.com/catalog/crossbow/excalibur_crossbow_stand, Jun. 17, 2013 (2 pages).
Ameristep, "Crossbow Holder", http://www.ameristep.com/accessories/1820_crossbow.html, Jun. 17, 2013 (1 page).
Ningbo Zhenhai Leilei Acoustic Equipment Factory, "Guitar Stand", http://www.nbleilei.com/_d273823783.htm, Jun. 17, 2013 (2 pages).

* cited by examiner

Primary Examiner — Michael A Pratt

(74) *Attorney, Agent, or Firm* — Harness, Dickey & Pierce, P.L.C.

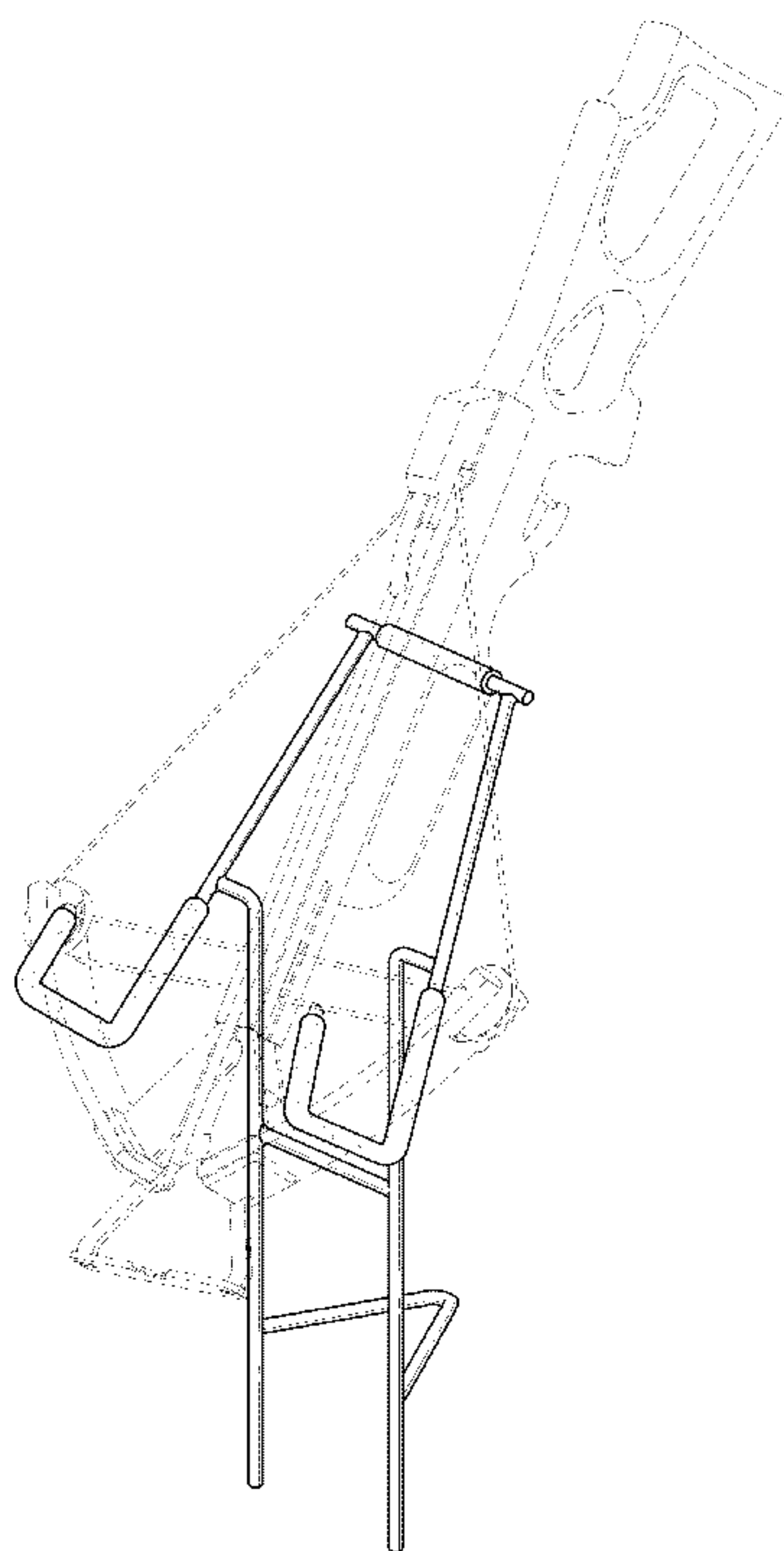
(57) **CLAIM**

The ornamental design for a crossbow holder for a ground blind, as shown and described.

DESCRIPTION

FIG. 1 is a perspective view of a crossbow holder for a ground blind embodying my new design;
FIG. 2 is a right side view thereof;
FIG. 3 is a front view thereof;
FIG. 4 is a left side view thereof;
FIG. 5 is a top view thereof;
FIG. 6 is a bottom view thereof; and,
FIG. 7 is a rear view thereof.
The broken lines are for illustrative purposes only and form no part of the claimed invention.

1 Claim, 3 Drawing Sheets



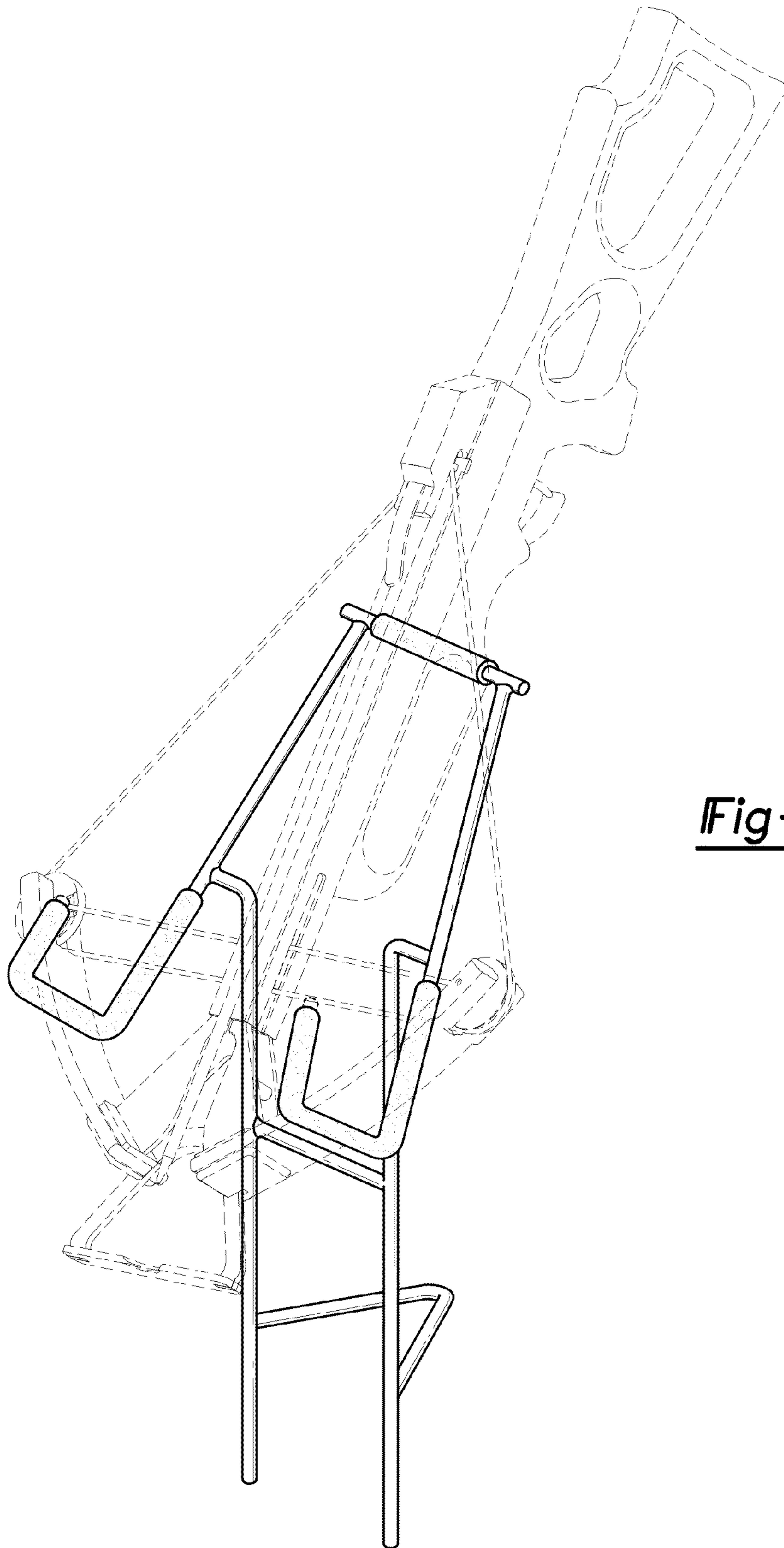


Fig-1

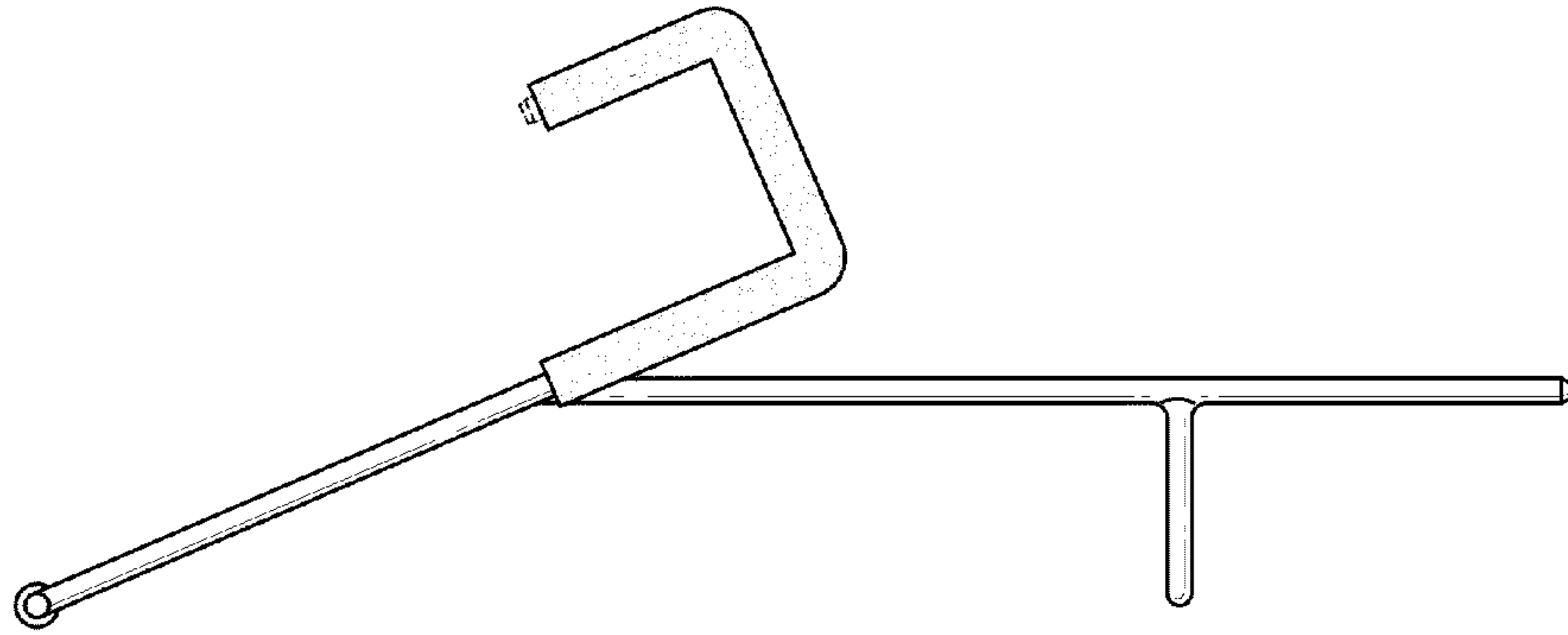


Fig-4

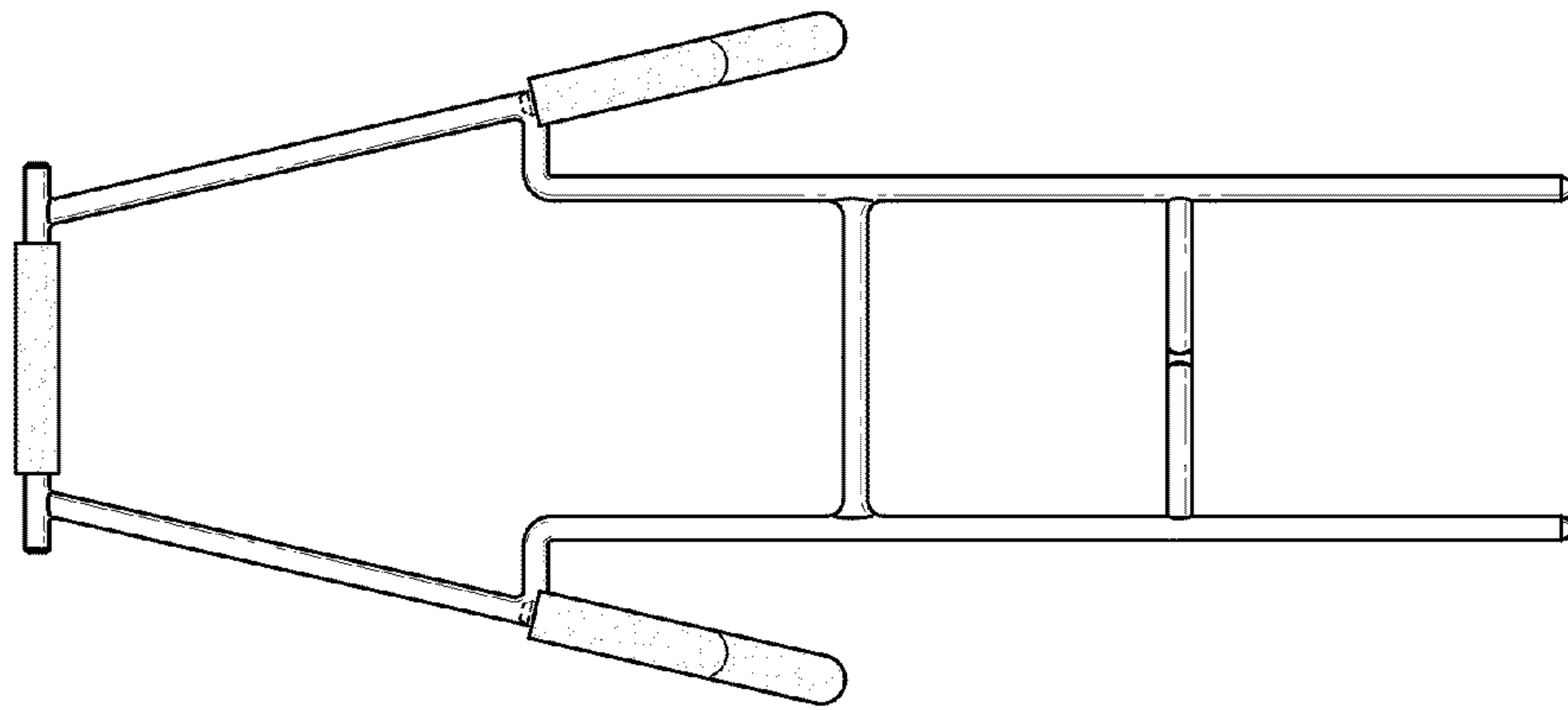


Fig-3

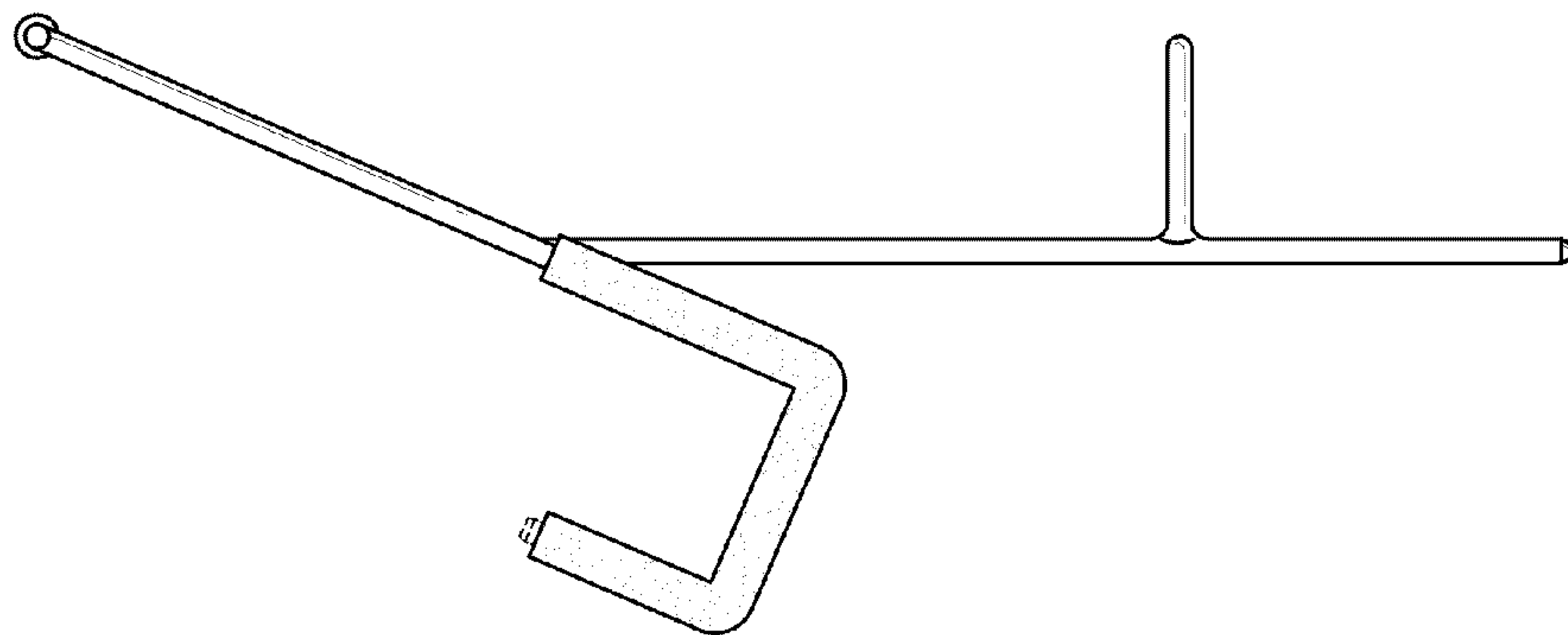


Fig-2

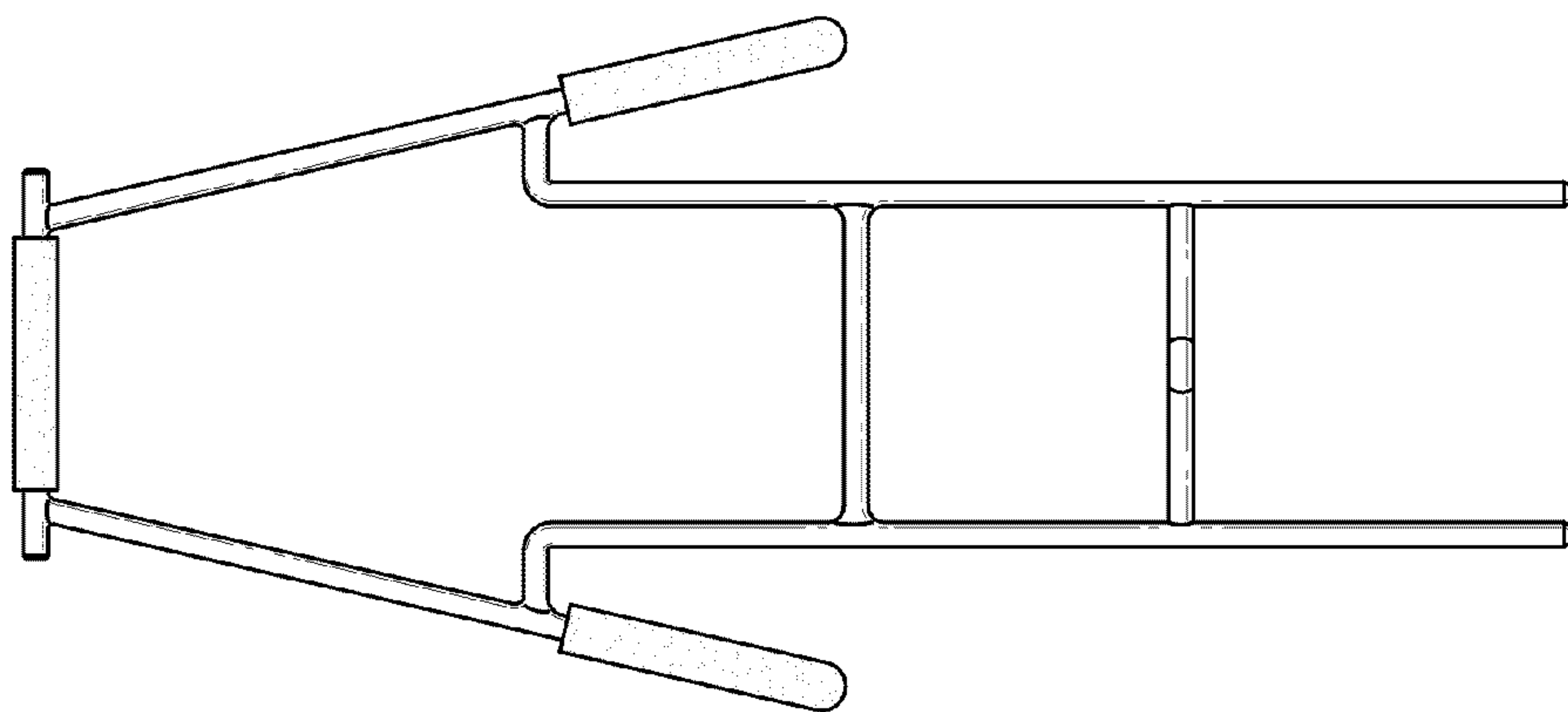


Fig-7

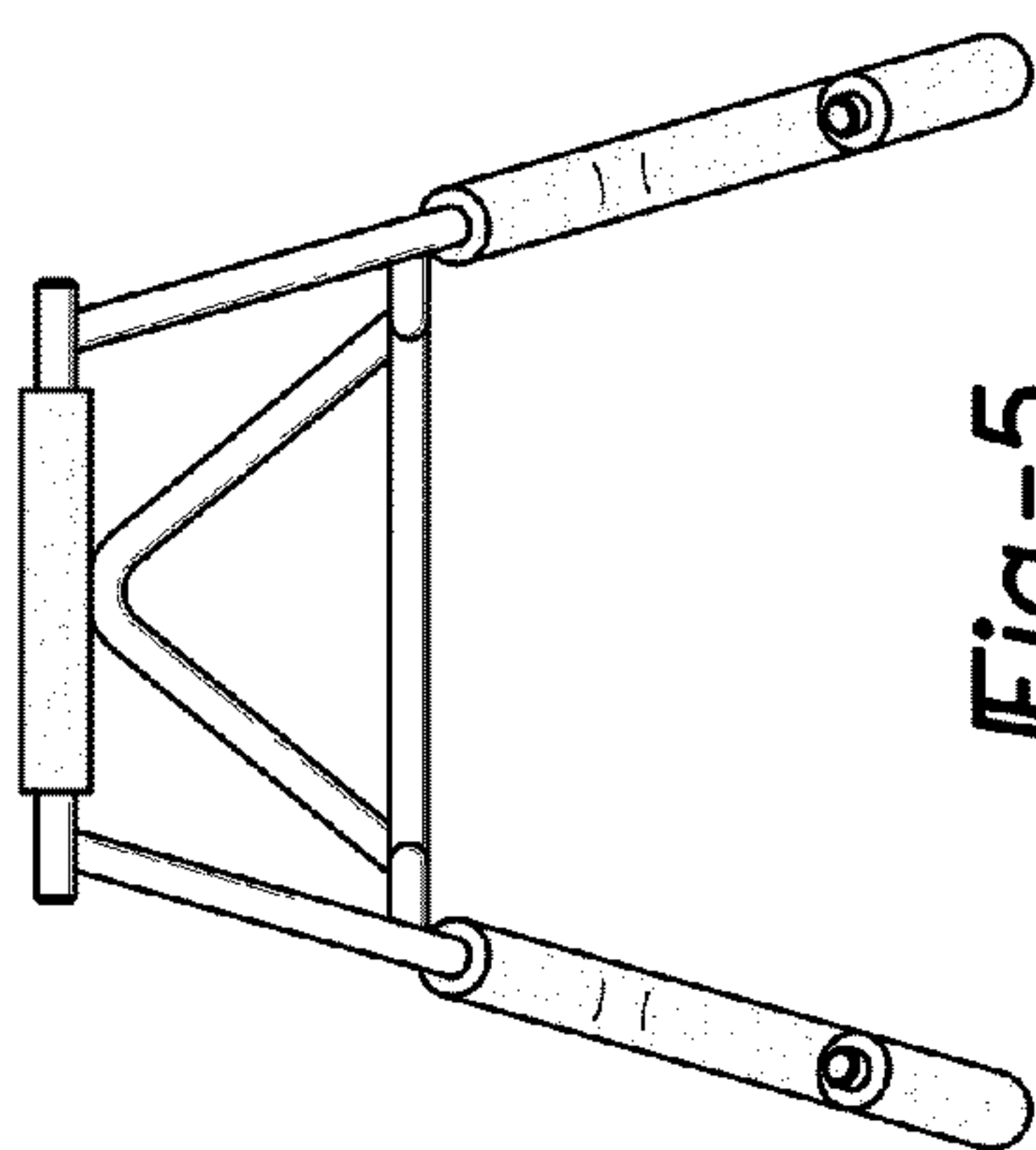


Fig-5

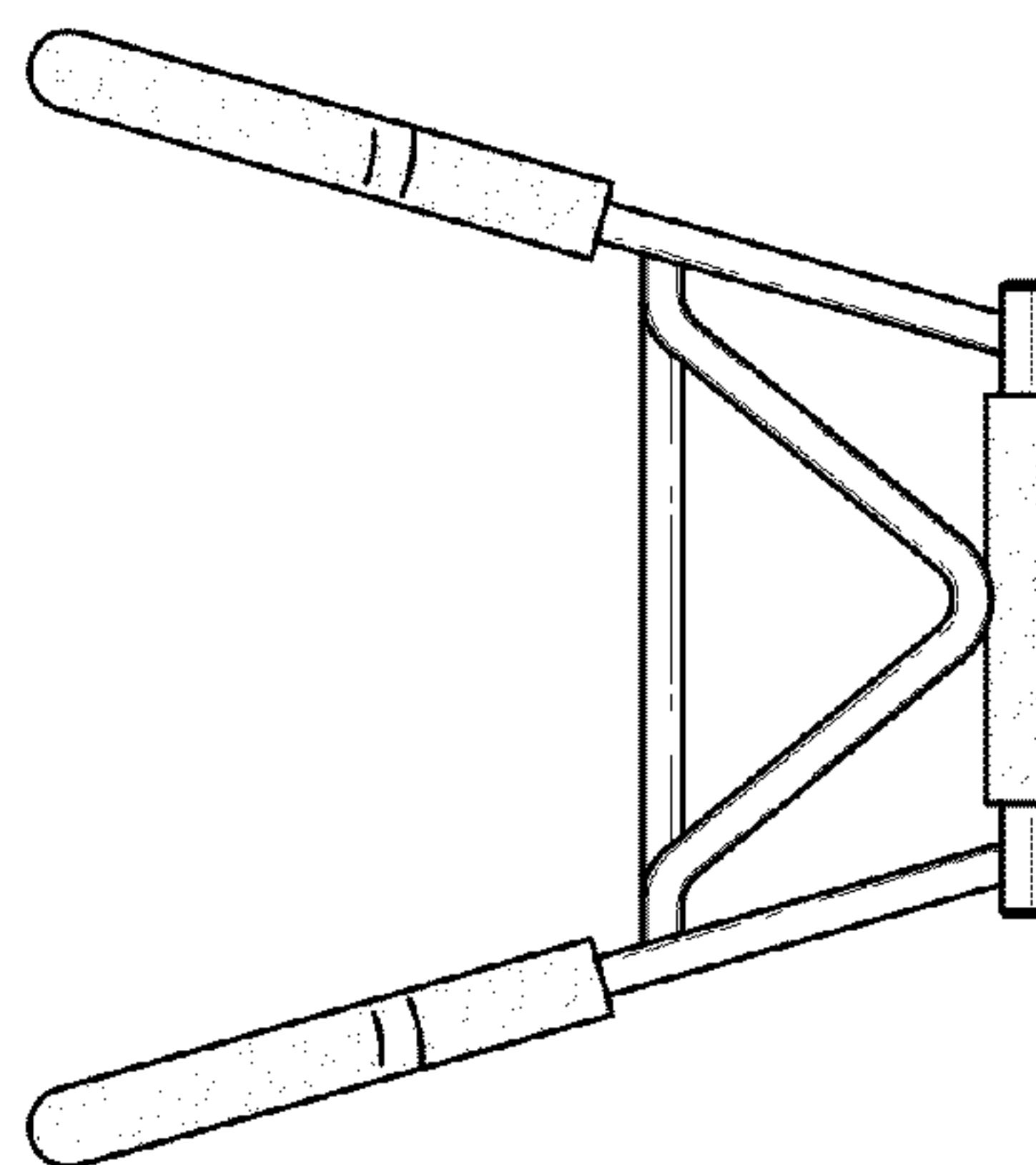


Fig-6