



US00D717386S

(12) **United States Design Patent**
Moretti

(10) **Patent No.:** **US D717,386 S**

(45) **Date of Patent:** **** Nov. 11, 2014**

(54) **SHOTGUN**

(71) Applicant: **Benelli Armi S.p.A.**, Urbino (IT)

(72) Inventor: **Luigi Moretti**, Collebeato (IT)

(73) Assignee: **Benelli Armi S.p.A.**, Urbino (IT)

(**) Term: **14 Years**

(21) Appl. No.: **29/461,091**

(22) Filed: **Jul. 18, 2013**

(51) **LOC (10) Cl.** **22-01**

(52) **U.S. Cl.**
USPC **D22/103**

(58) **Field of Classification Search**

CPC F41C 7/00; F41C 7/11; F41C 7/12
USPC D22/100, 101, 103, 104, 108, 199;
D21/572-575; 42/51, 71.01, 75.01,
42/75.02, 90, 94, 134, 136, 139, 125, 72,
42/111; 89/40.06, 41.19, 37.04, 33.04,
89/191.01, 200-204; 124/67, 66, 72, 74

See application file for complete search history.

(56) **References Cited**

U.S. PATENT DOCUMENTS

D108,985 S *	3/1938	Pugsley	D22/103
D117,638 S *	11/1939	Pugsley	D22/103
D262,567 S *	1/1982	Hillberg	D22/103
D651,274 S *	12/2011	Moretti	D22/103
8,296,987 B1 *	10/2012	Dlubak et al.	42/75.01
2006/0254112 A1 *	11/2006	Snoderly	42/74
2008/0028659 A1 *	2/2008	Moretti	42/1.02

2009/0113780 A1 *	5/2009	Irwin et al.	42/112
2010/0071242 A1 *	3/2010	Lesenfants	42/49.02
2010/0212204 A1 *	8/2010	Koyama	42/73
2011/0203151 A1 *	8/2011	Mossberg et al.	42/70.01

* cited by examiner

Primary Examiner — Michael A Pratt

(74) *Attorney, Agent, or Firm* — R. Neil Sudol; Henry D. Coleman

(57) **CLAIM**

The ornamental design for shotgun, as shown and described.

DESCRIPTION

FIG. 1 is a rear and ride side perspective view, showing my new design;

FIG. 2 is a right side elevational view thereof;

FIG. 3 is a left side elevational view thereof;

FIG. 4 is a front elevational view thereof;

FIG. 5 is a rear elevational view thereof;

FIG. 6 is top plan view thereof;

FIG. 7 is a bottom plan view thereof;

FIG. 8 is a partial right side elevational view thereof, on an enlarged scale, showing a receiver portion of the shotgun;

FIG. 9 is a partial left side elevational view thereof, on an enlarged scale, showing a portion of the shotgun in a receiver area thereof;

FIG. 10 is a partial top plan elevational view thereof, on an enlarged scale, showing a portion of the shotgun in the receiver area thereof; and,

FIG. 11 is a partial bottom plan elevational view thereof, on an enlarged scale, showing a portion of the shotgun in the receiver area thereof.

1 Claim, 10 Drawing Sheets

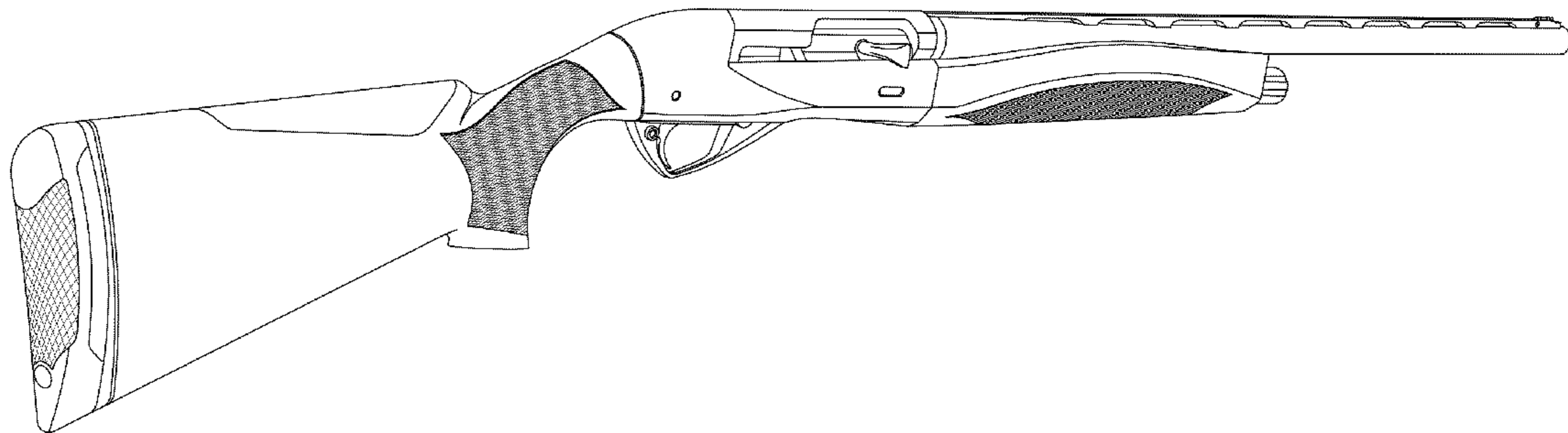




Fig. 1

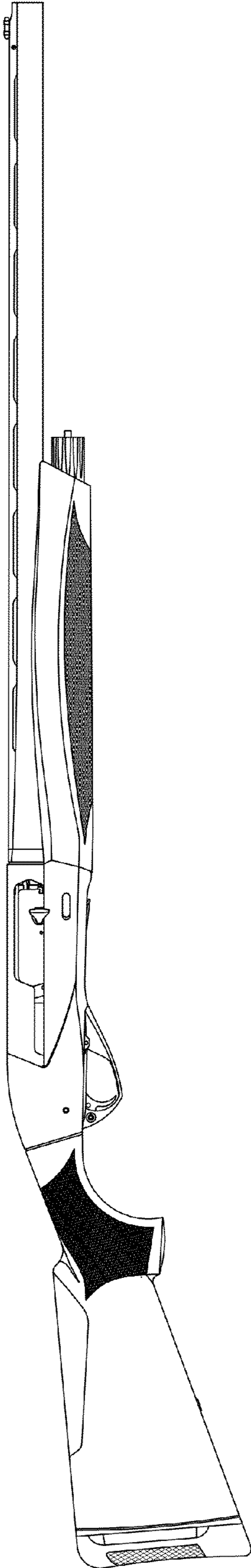


Fig. 2

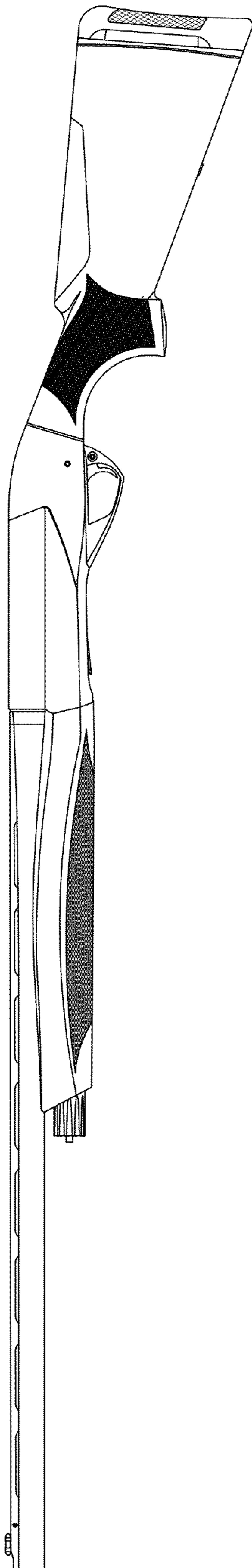


Fig. 3

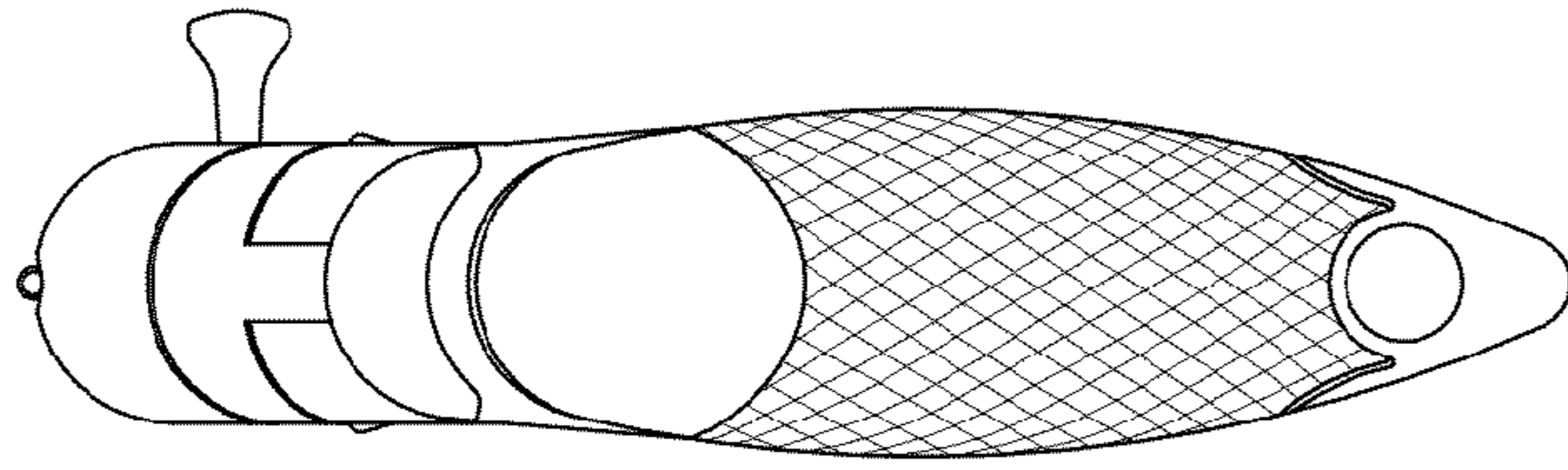


Fig. 5

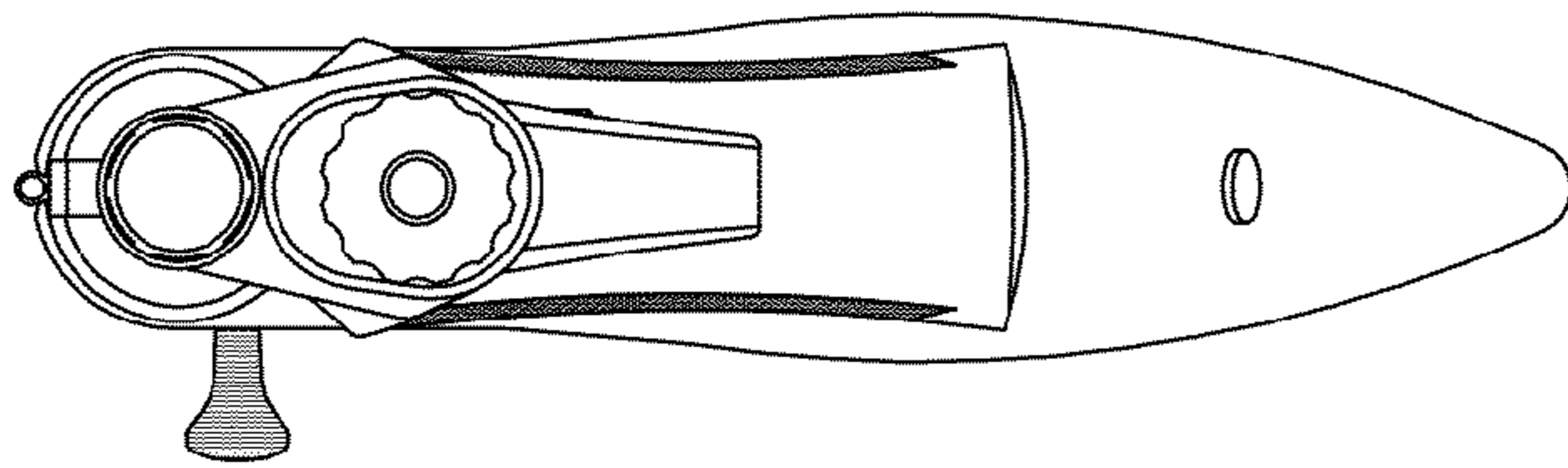


Fig. 4

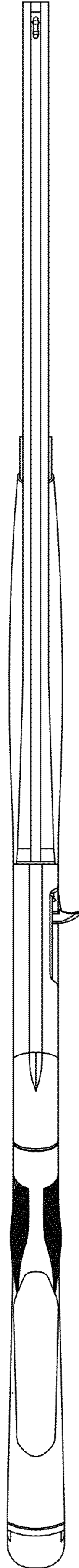


Fig. 6

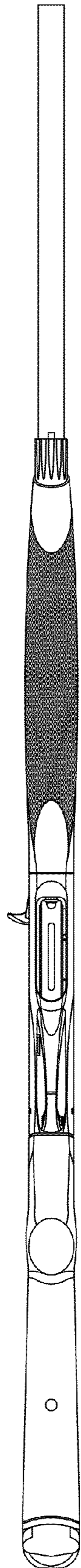


Fig. 7

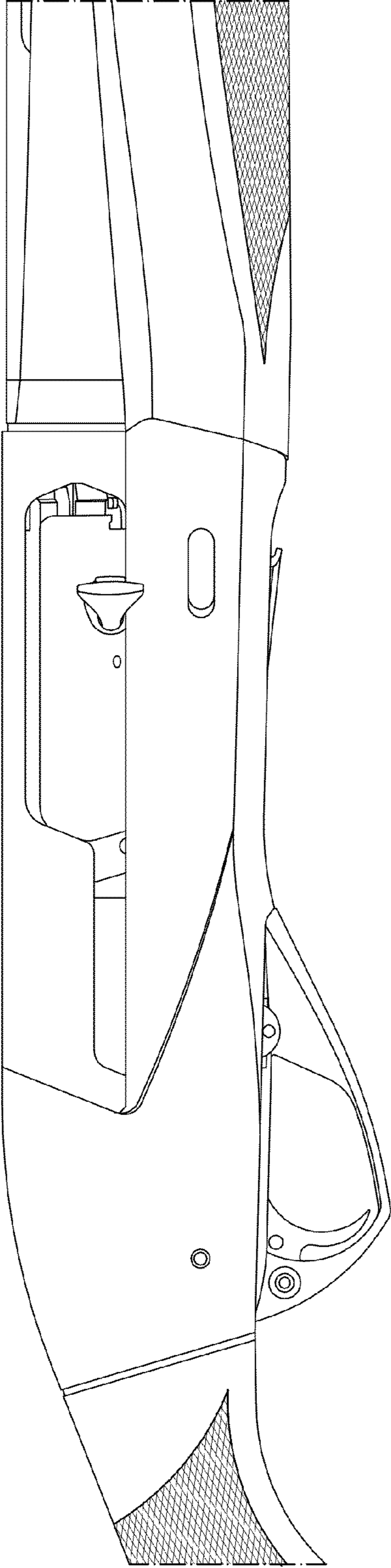


Fig. 8

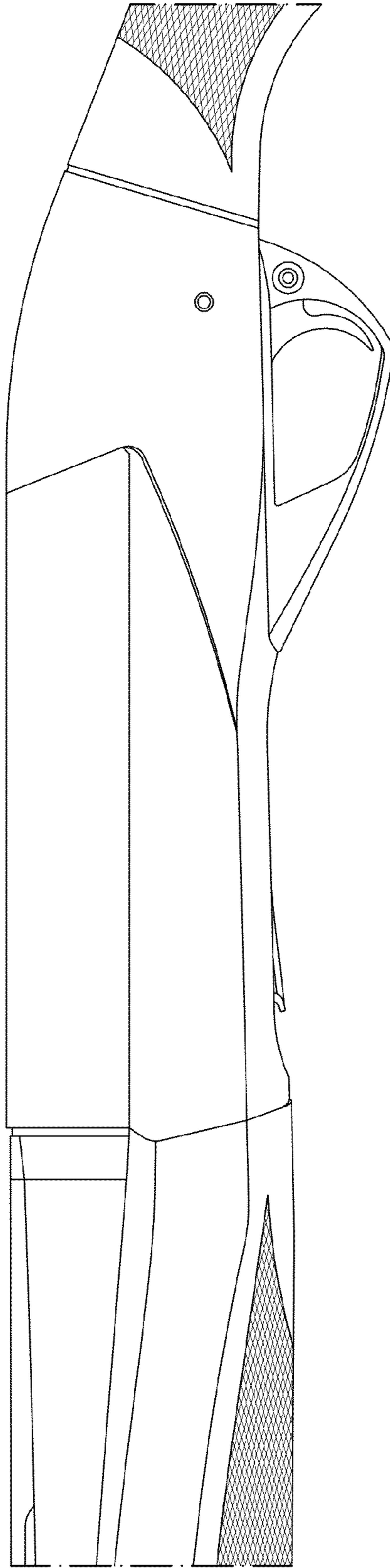


Fig. 9

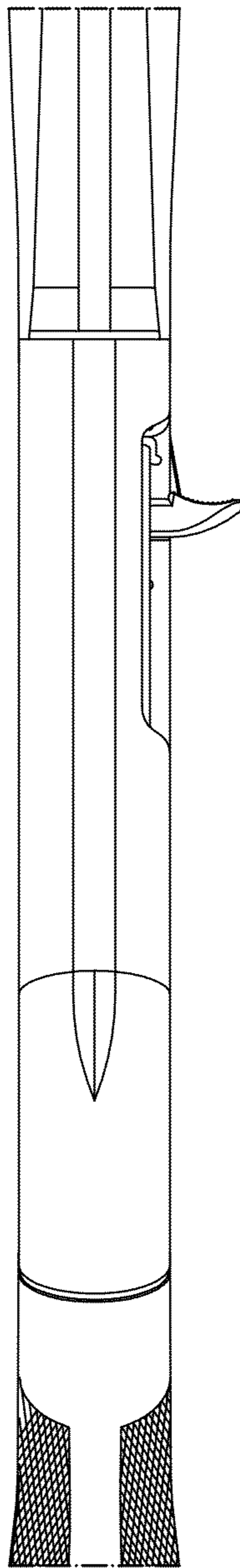


Fig. 10

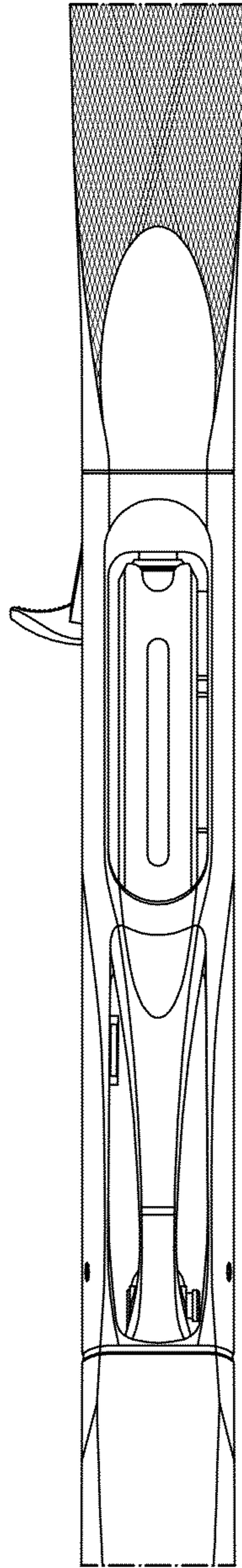


Fig. 11