



US00D717383S

(12) **United States Design Patent**  
**Nay**

(10) **Patent No.:** **US D717,383 S**

(45) **Date of Patent:** **\*\* Nov. 11, 2014**

(54) **LONGBOARD WHEEL**

(75) Inventor: **Chauncey L. Nay**, St. George, UT (US)

(73) Assignee: **Chauncey L. Nay**, St. George, UT (US)

(\*\*) Term: **14 Years**

(21) Appl. No.: **29/422,468**

(22) Filed: **May 21, 2012**

(51) **LOC (10) Cl.** ..... **21-02**

(52) **U.S. Cl.**  
USPC ..... **D21/779**

(58) **Field of Classification Search**  
USPC ..... D21/563, 761, 762, 765, 771, 779;  
D12/204-213; 280/11.19, 11.215,  
280/11.221-11.26, 11.28, 11.32, 87.042,  
280/809, 816; 152/165; 301/5.1, 5.7,  
301/5.301-5.309  
See application file for complete search history.

(56) **References Cited**

**U.S. PATENT DOCUMENTS**

698,110	A *	4/1902	Foy	.....	301/5.301
3,355,185	A *	11/1967	Carter	.....	280/11.226
3,837,662	A *	9/1974	Marks et al.	.....	280/11.223
3,936,061	A *	2/1976	Wada	.....	280/11.226
4,034,995	A *	7/1977	Forward et al.	.....	280/843
4,090,283	A *	5/1978	Woolley	.....	29/894
D261,406	S *	10/1981	Corbin	.....	D21/779
D299,733	S *	2/1989	Taminich	.....	D21/779
4,844,492	A *	7/1989	Ludwig	.....	280/11.227
D324,245	S *	2/1992	Wright	.....	D21/563
D337,805	S *	7/1993	Rosso et al.	.....	D21/764
5,590,890	A *	1/1997	Rosso et al.	.....	280/11.226
D377,959	S *	2/1997	Chen	.....	D21/764
D378,115	S *	2/1997	Baker et al.	.....	D21/764
D418,890	S *	1/2000	Wilson	.....	D21/779
6,019,382	A *	2/2000	Bouden	.....	280/87.042
D489,110	S *	4/2004	Carlson	.....	D21/779
D517,632	S *	3/2006	Chen	.....	D21/779
D517,633	S *	3/2006	Chen	.....	D21/779

D575,833 S \* 8/2008 Fink et al. .... D21/563  
D588,762 S \* 3/2009 Dyson et al. .... D32/31  
2002/0020975 A1\* 2/2002 Dahan ..... 280/11.221

\* cited by examiner

*Primary Examiner* — Cynthia M Chin

(74) *Attorney, Agent, or Firm* — Maschoff Brennan

(57) **CLAIM**

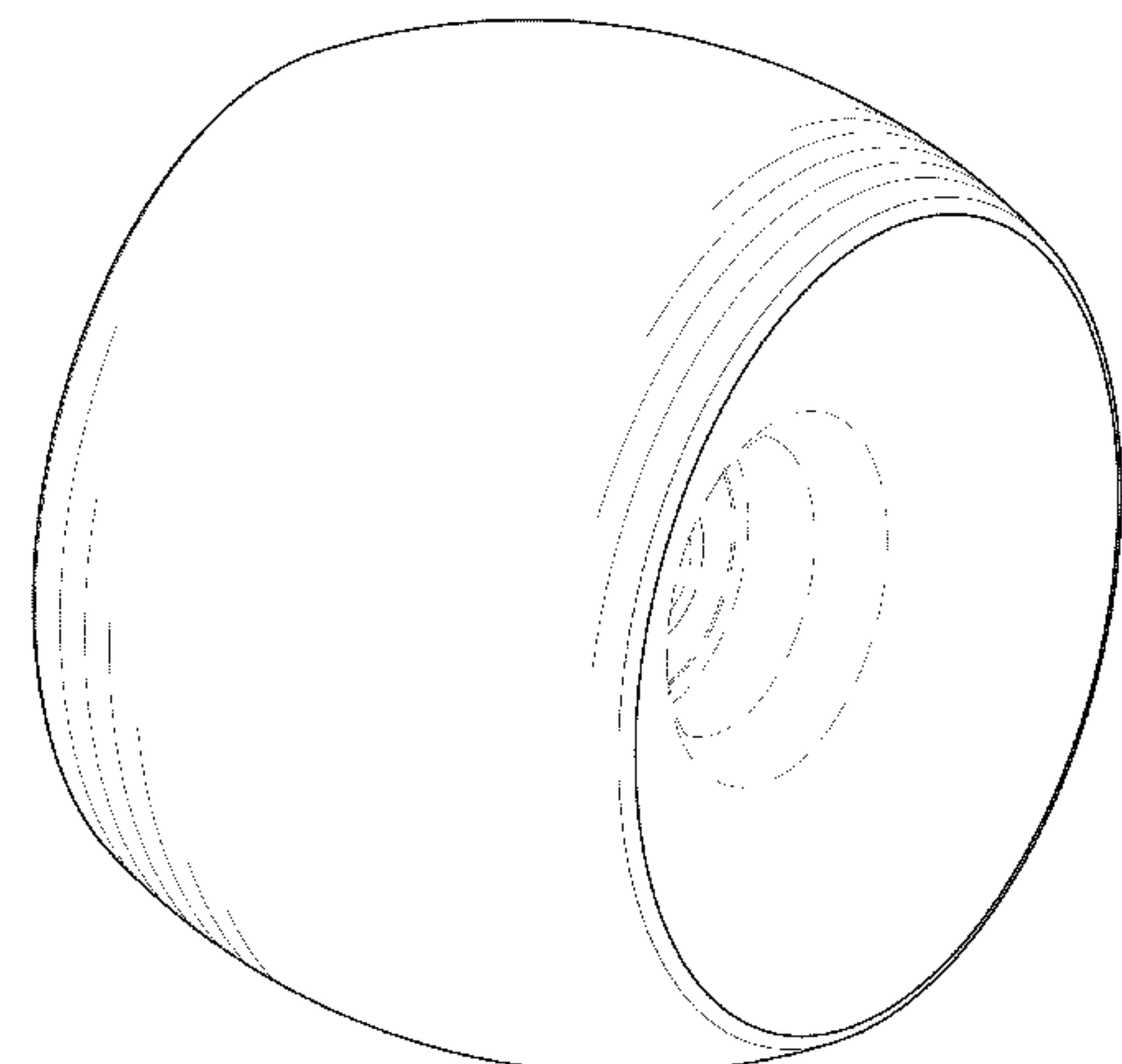
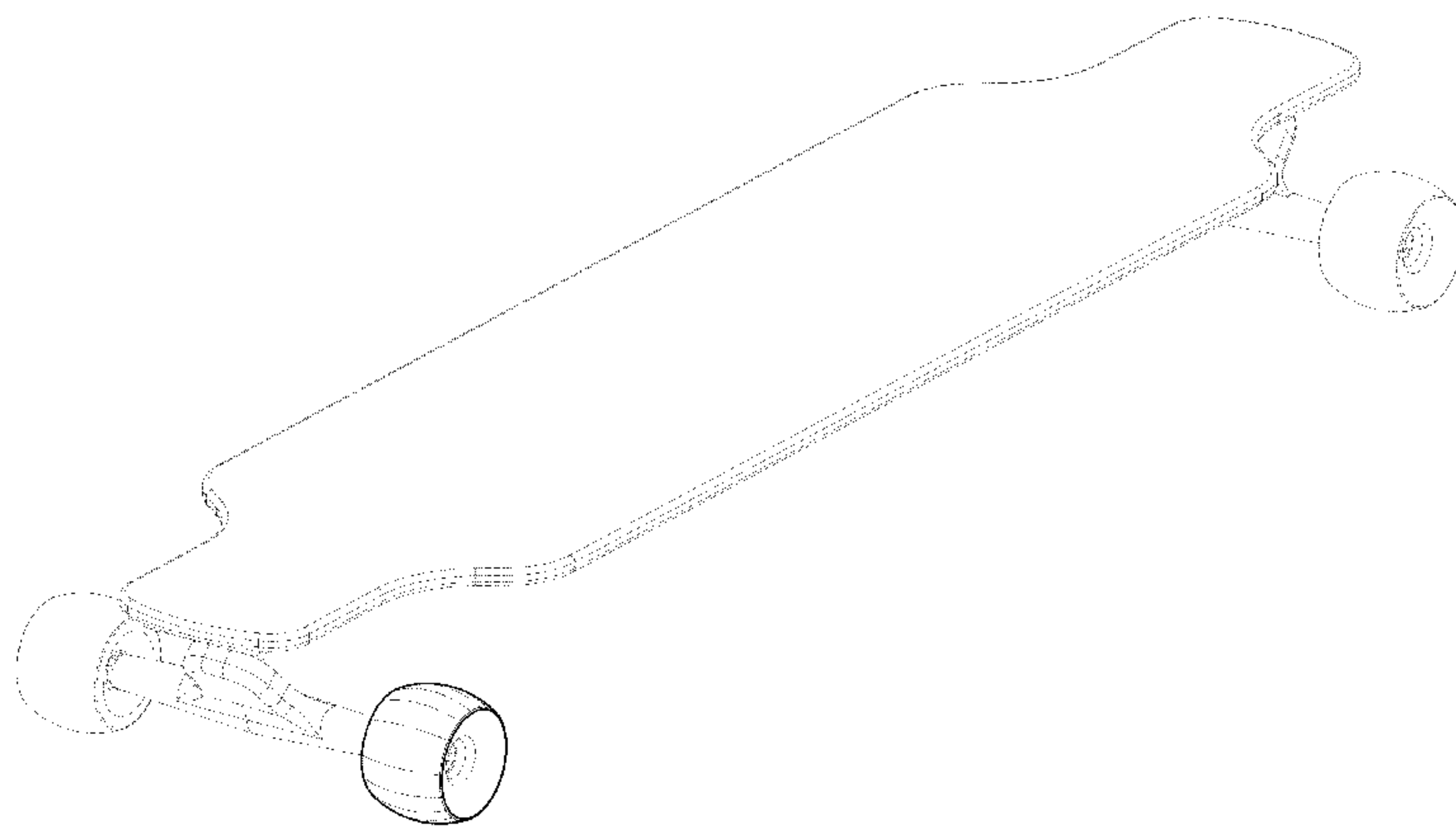
The ornamental design for a longboard wheel, as shown and described.

**DESCRIPTION**

FIG. 1 is an upper perspective view of a first embodiment of a longboard wheel, illustrating the wheels attached to an exemplary longboard;  
FIG. 2 is an upper perspective view of the longboard wheel shown in FIG. 1;  
FIG. 3 is a front view of the longboard wheel shown in FIG. 1;  
FIG. 4 is a rear view of the longboard wheel shown in FIG. 1;  
FIG. 5 is a left side view of the longboard wheel shown in FIG. 1;  
FIG. 6 is a right side view of the longboard wheel shown in FIG. 1;  
FIG. 7 is an upper perspective view of another embodiment of a longboard wheel;  
FIG. 8 is a front view of the longboard wheel shown in FIG. 7;  
FIG. 9 is a rear view of the longboard wheel shown in FIG. 7;  
FIG. 10 is a left side view of the longboard wheel shown in FIG. 7; and,  
FIG. 11 is a right side view of the longboard wheel shown in FIG. 7.

The broken lines shown are included for the purpose of illustrating the environment in which the article resides and forms no part of the claimed design.

**1 Claim, 5 Drawing Sheets**



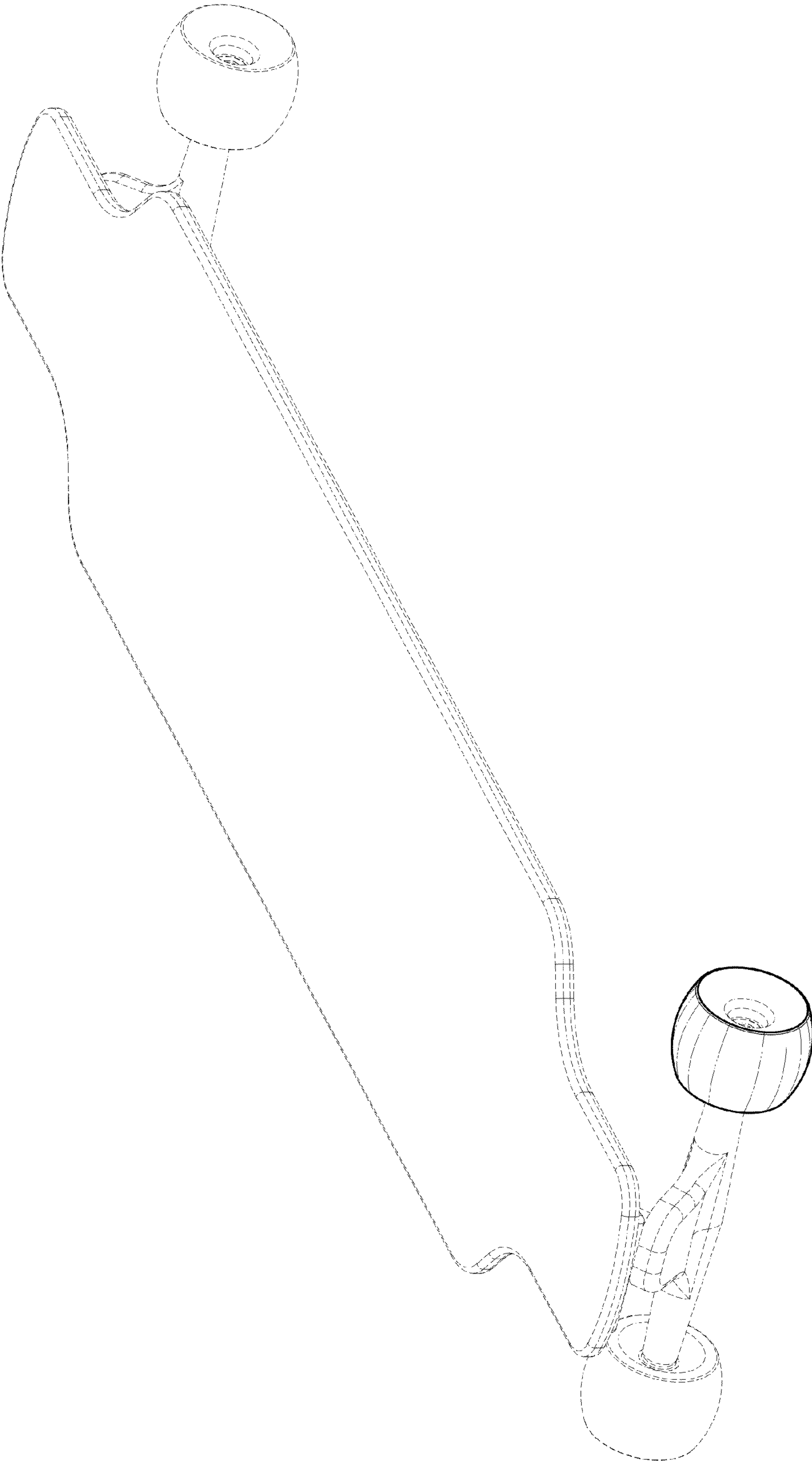
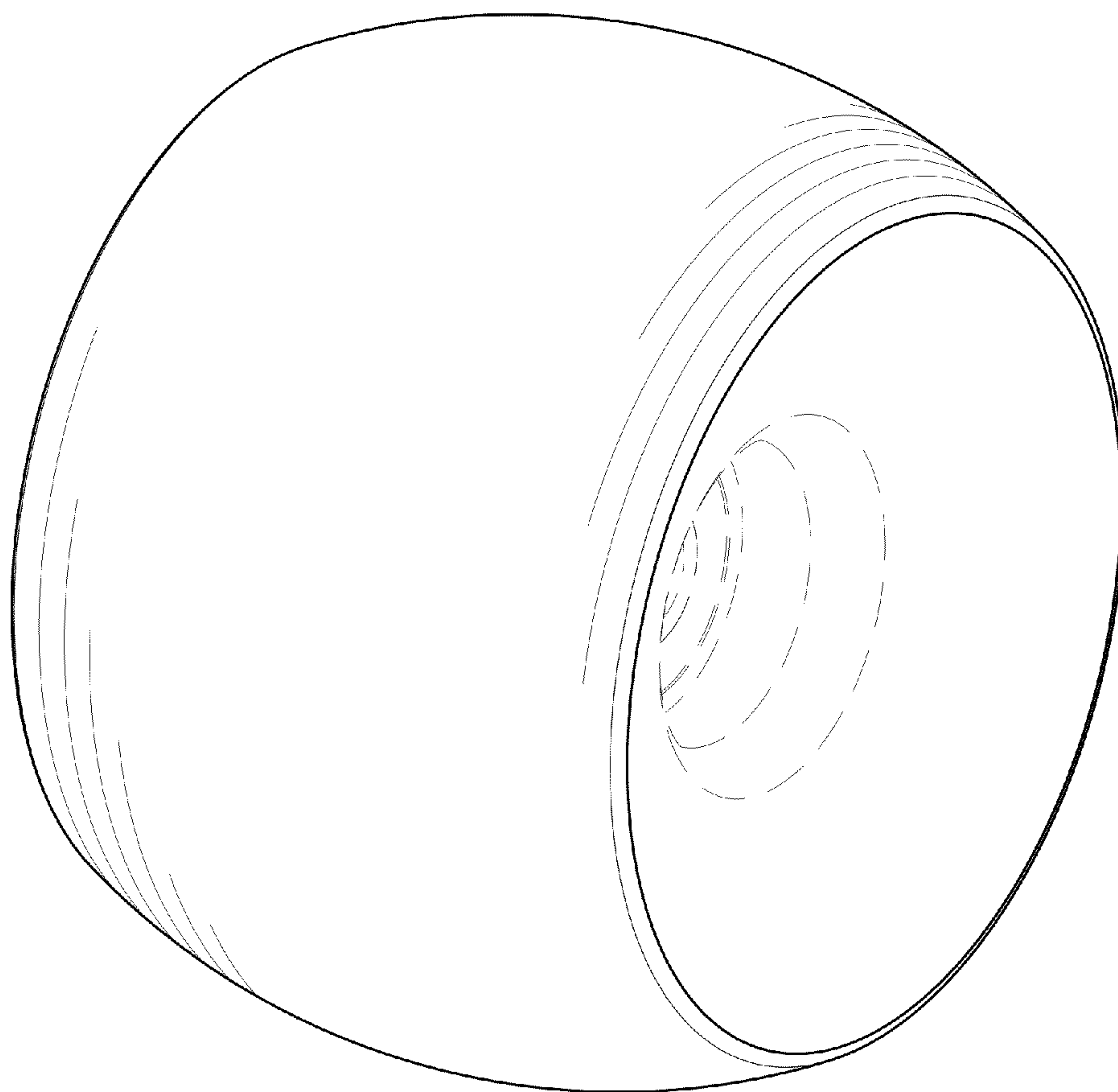
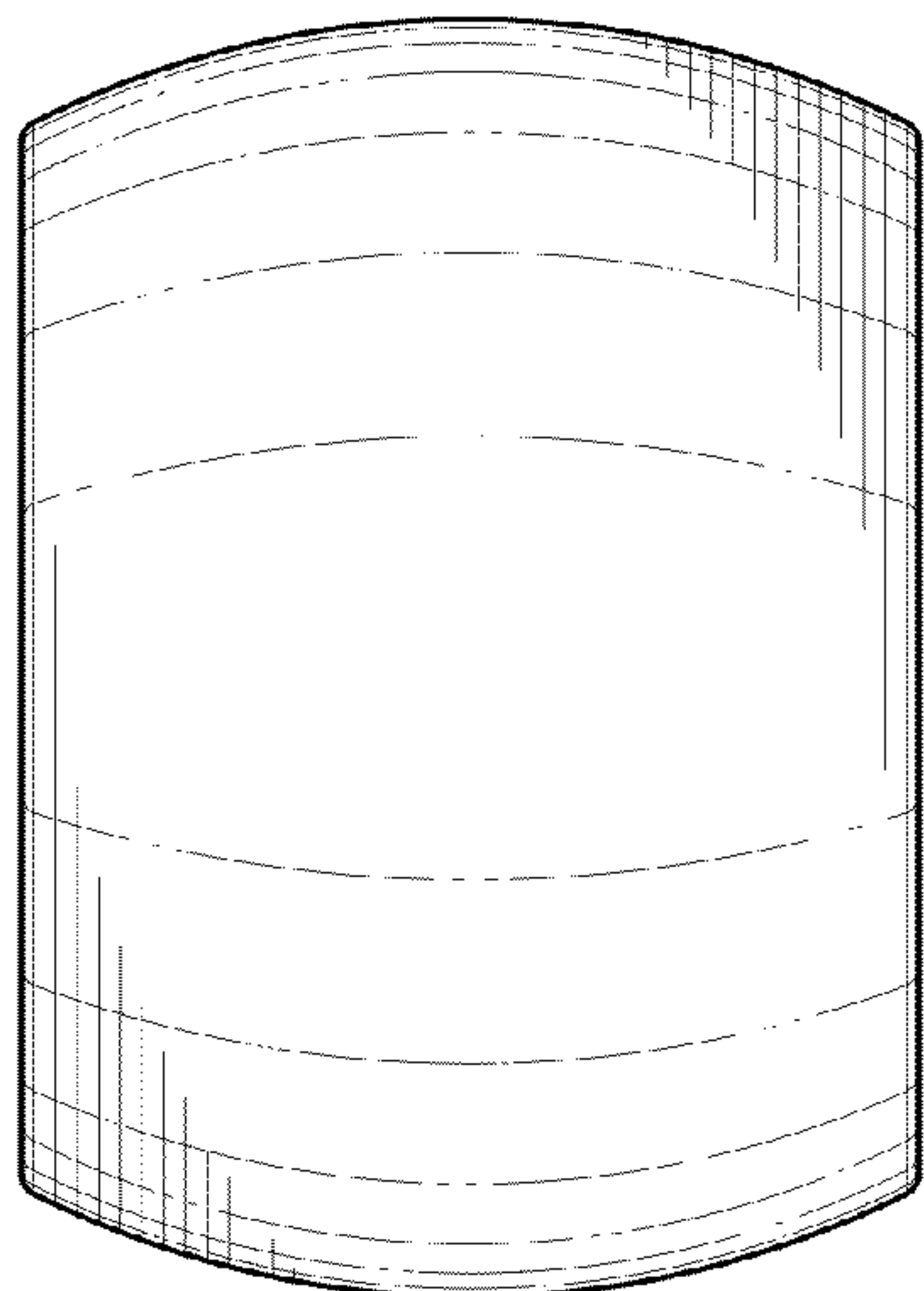


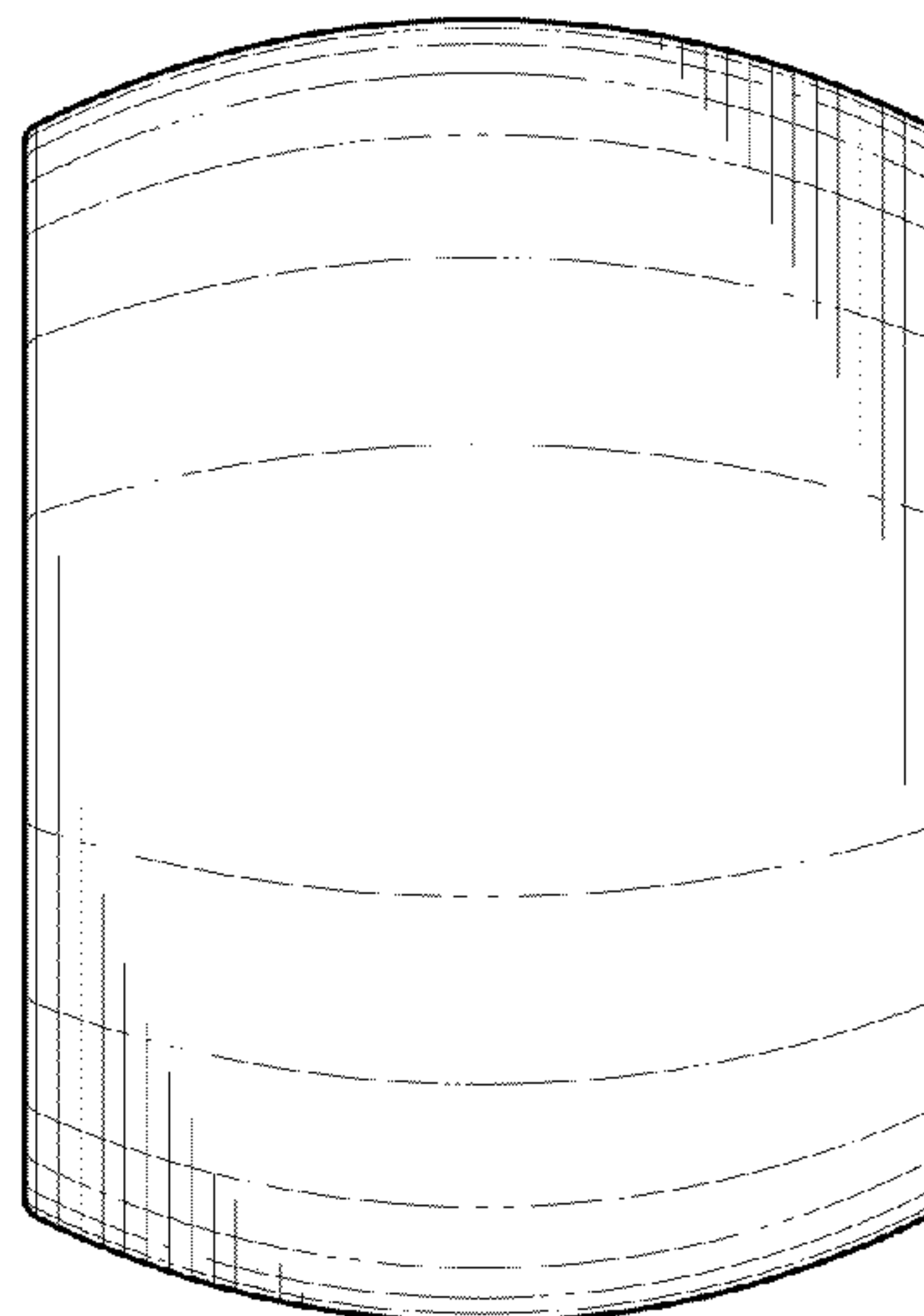
Fig. 1



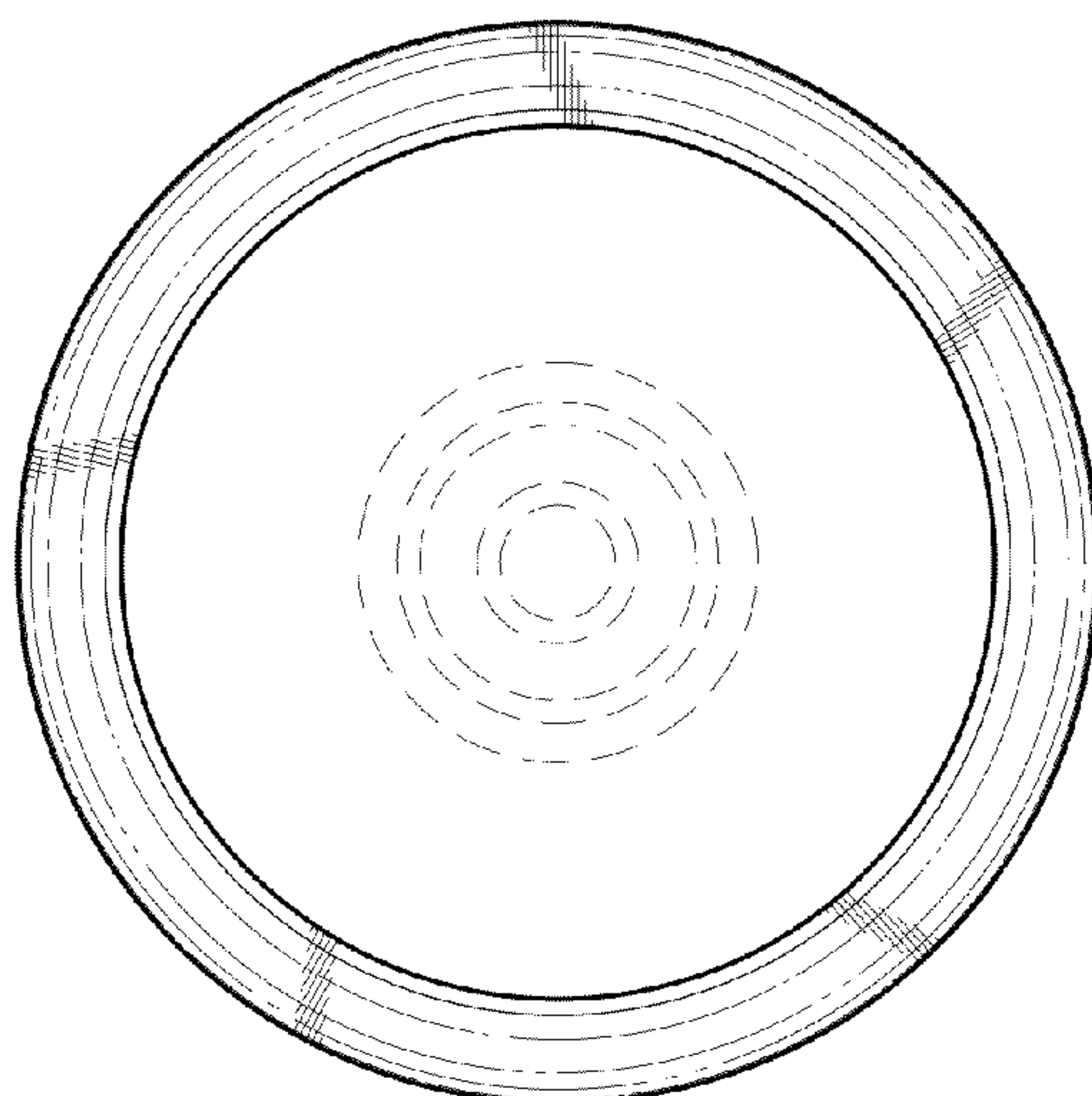
**Fig. 2**



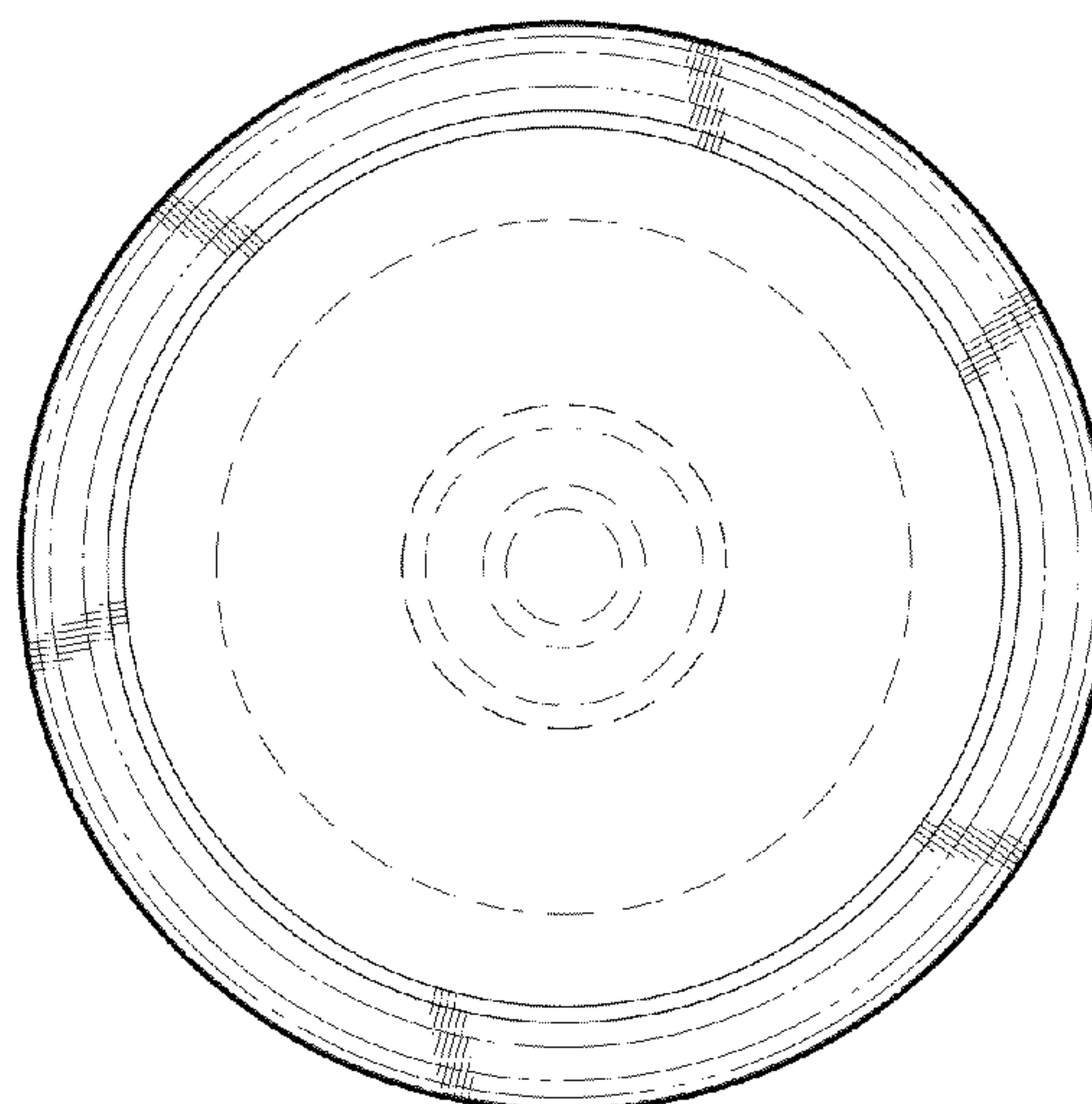
**Fig. 3**



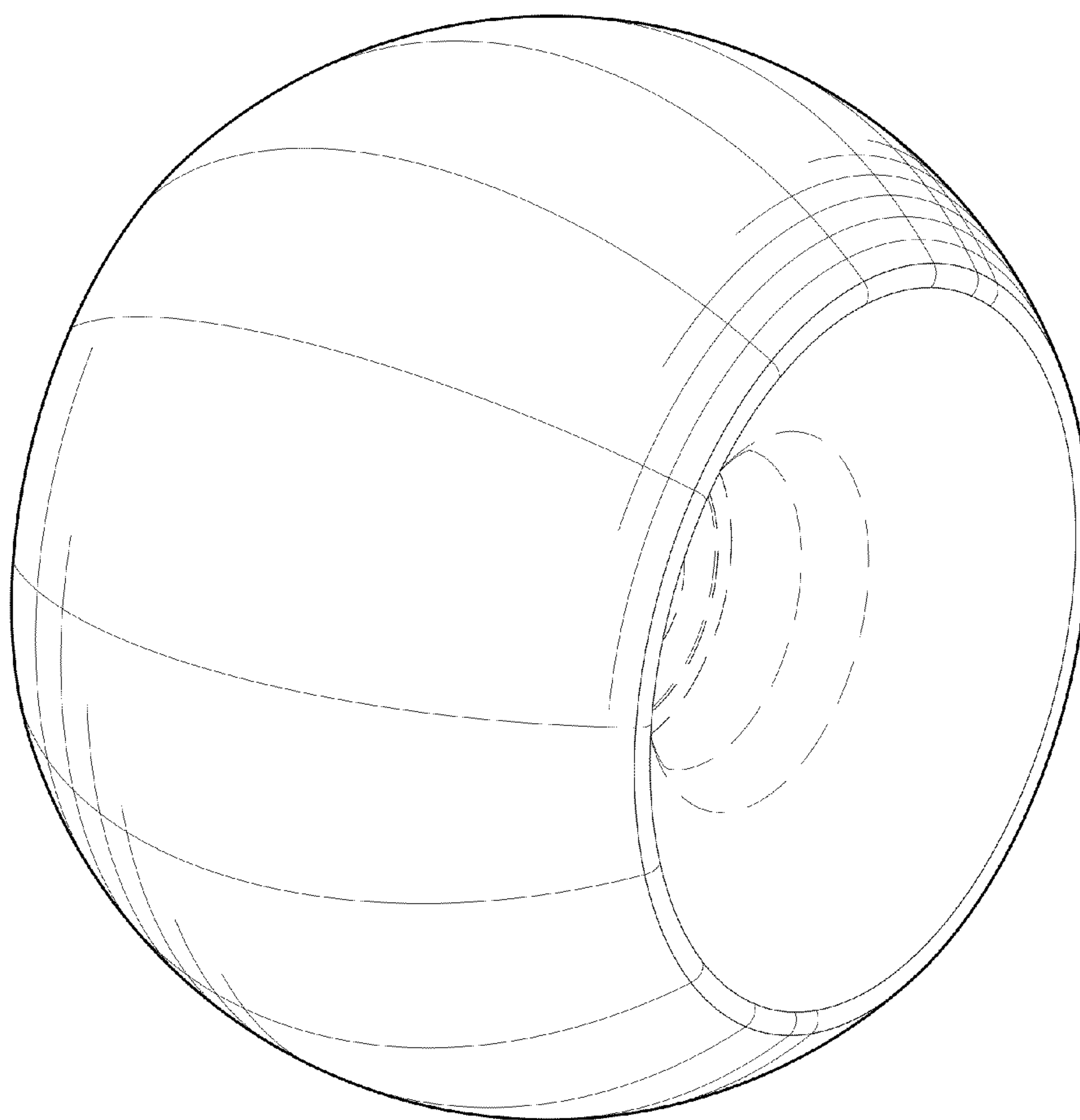
**Fig. 4**



**Fig. 5**

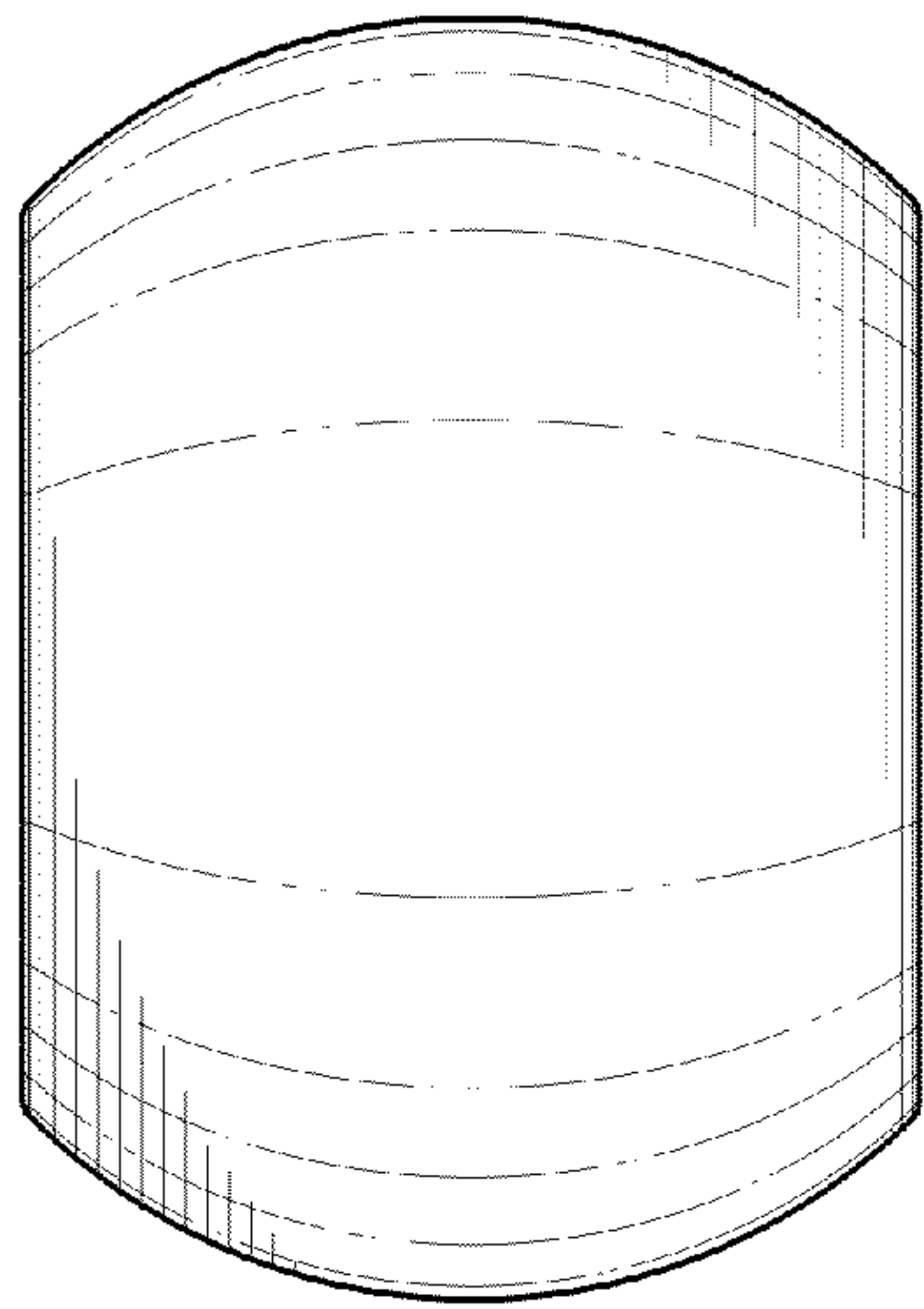


**Fig. 6**

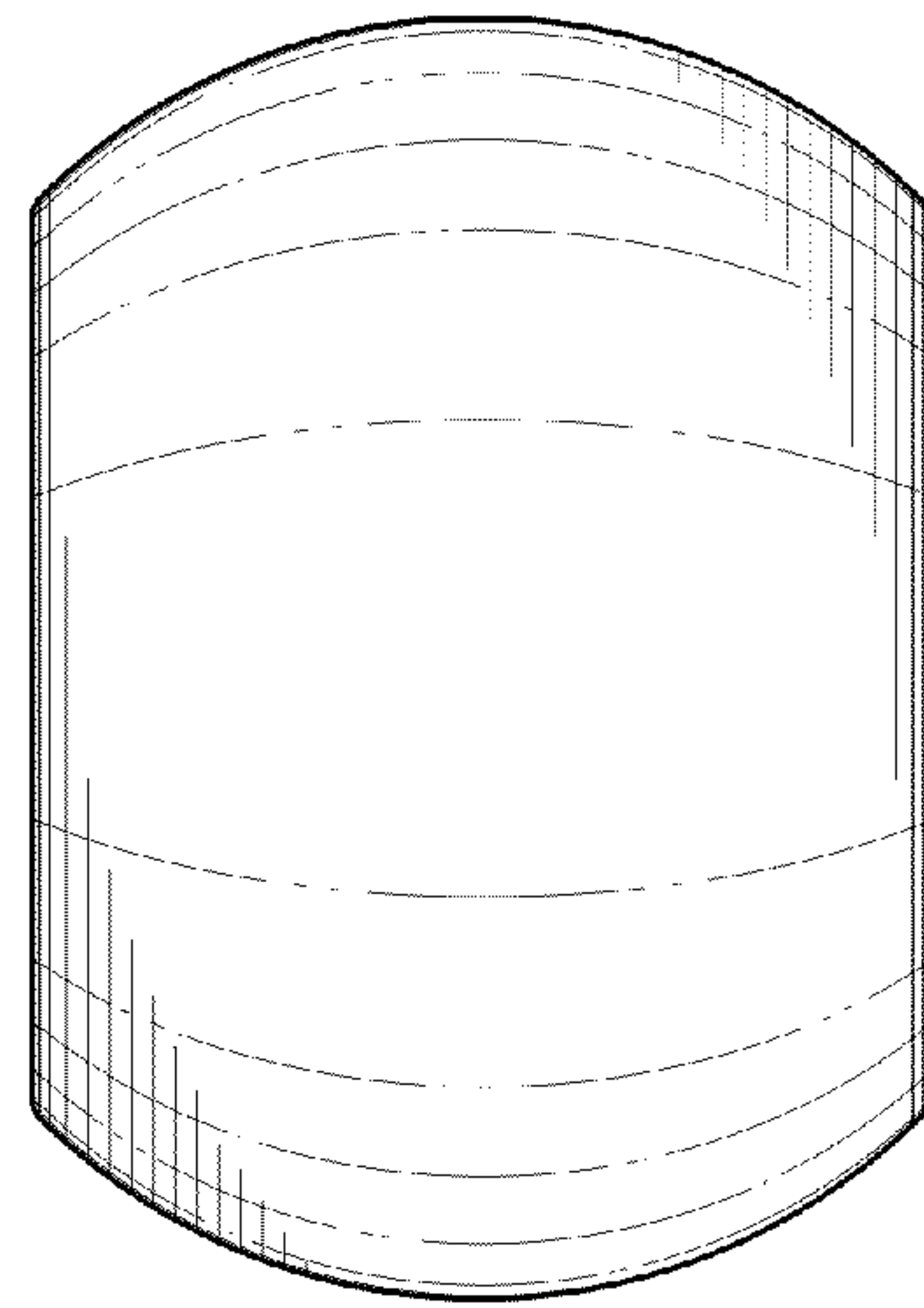


**Fig. 7**

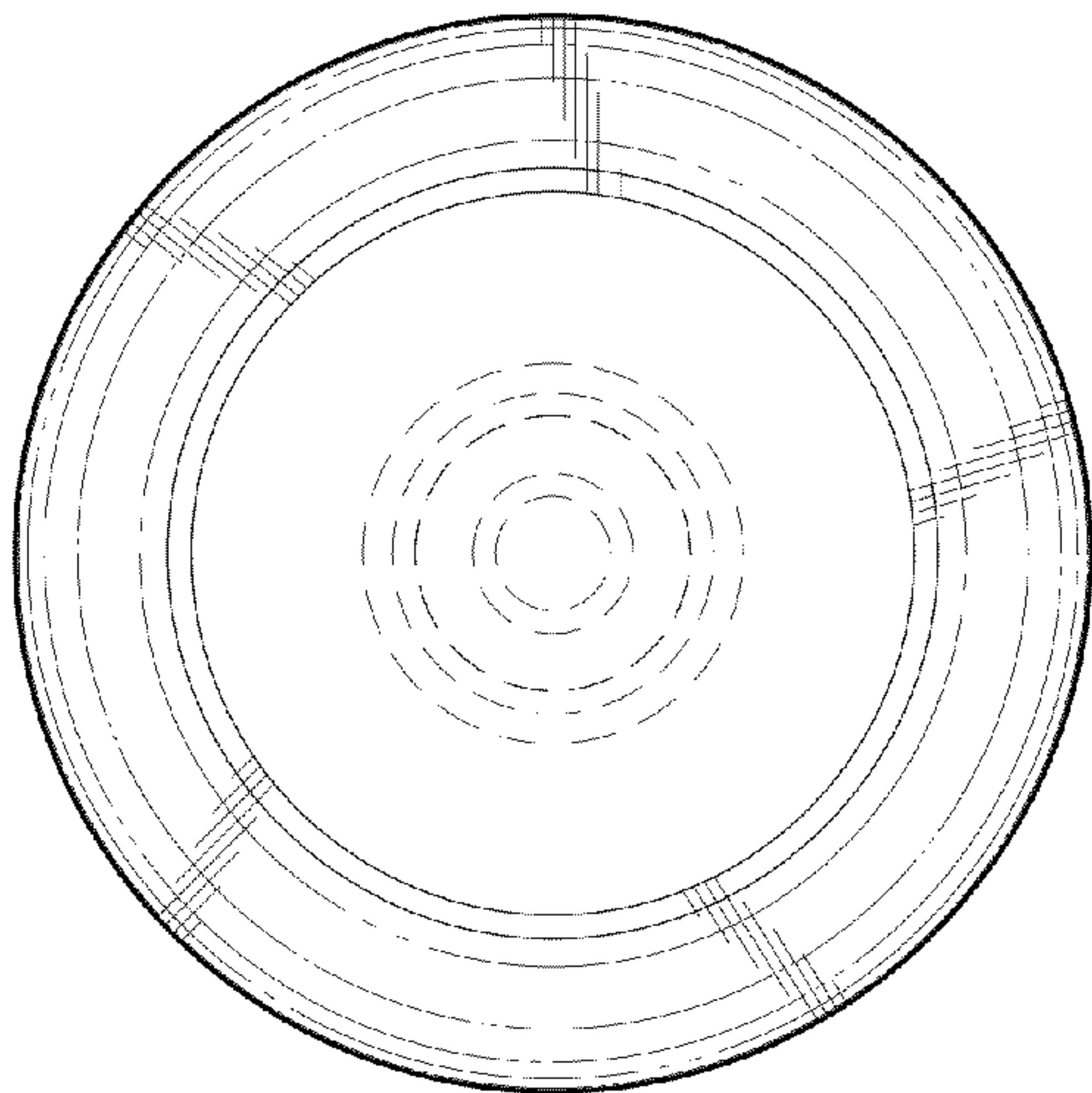




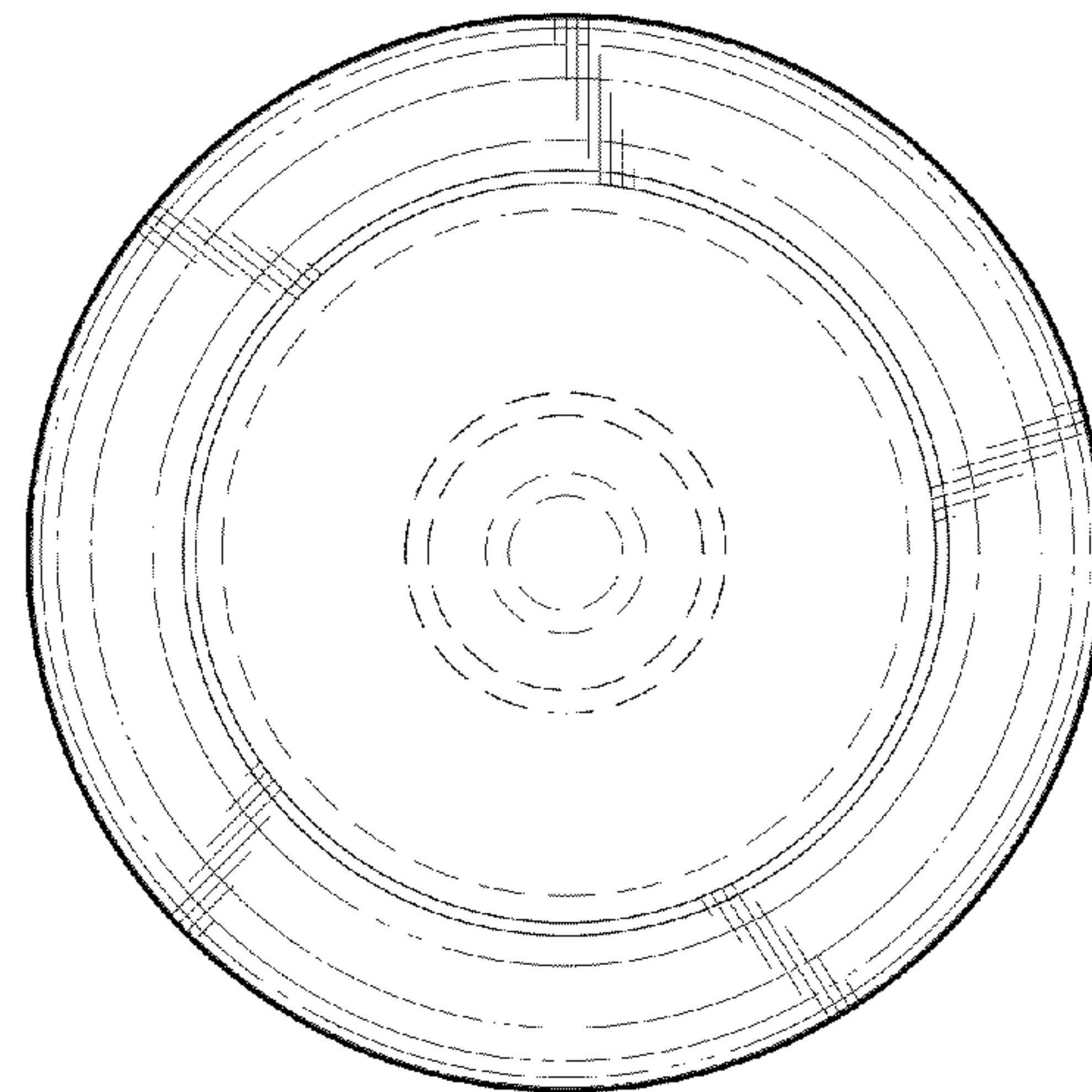
**Fig. 8**



**Fig. 9**



**Fig. 10**



**Fig. 11**