



US00D717380S

(12) **United States Design Patent**
Mimlitch, III et al.

(10) **Patent No.:** **US D717,380 S**
(45) **Date of Patent:** **** Nov. 11, 2014**

(54) **TOY CAR**

(71) Applicant: **Innovation First, Inc.**, Greenville, TX (US)

(72) Inventors: **Robert H. Mimlitch, III**, Rowlett, TX (US); **David Anthony Norman**, Greenville, TX (US); **Douglas Michael Galletti**, Allen, TX (US); **Raul Olivera**, Greenville, TX (US); **Gregory James Lavender**, Rockwell, TX (US); **Gregory Needel**, Rockwell, TX (US); **Jeffrey Russell Waegelin**, Rockwall, TX (US)

(73) Assignee: **Innovation First, Inc.**, Greenville, TX (US)

(**) Term: **14 Years**

(21) Appl. No.: **29/490,378**

(22) Filed: **May 9, 2014**

Related U.S. Application Data

(60) Division of application No. 29/428,458, filed on Jul. 31, 2012, which is a continuation-in-part of application No. 29/418,208, filed on Apr. 13, 2012, now Pat. No. Des. 679,763, which is a continuation-in-part of application No. 29/413,172, filed on Feb. 13, 2012, now Pat. No. Des. 667,509, and a continuation-in-part of application No. 29/413,173, filed on Feb. 13, 2012, now Pat. No. Des. 667,896, and a continuation-in-part of application No. 29/413,177, filed on Feb. 13, 2012, now Pat. No. Des. 667,897.

(51) **LOC (10) Cl.** **21-01**

(52) **U.S. Cl.**
USPC **D21/550**

(58) **Field of Classification Search**

CPC A63H 17/004; A63H 17/28; A63H 17/32;
A63H 19/00; A63H 33/003
USPC D21/433, 533, 548, 549, 550, 561, 562;
D12/82, 86, 88, 89, 90, 91, 92, 93;
446/431, 444-447, 452, 454-456, 465,
446/468, 470, 471

See application file for complete search history.

(56) **References Cited**

U.S. PATENT DOCUMENTS

3,064,994 A 11/1962 Limmer
D212,324 S * 10/1968 House D12/12

(Continued)

FOREIGN PATENT DOCUMENTS

AU 146475 1/2002
CA 87782 10/1999

(Continued)

OTHER PUBLICATIONS

Shantou GoldRosita Intelligent Electronic Toys Industrial Co., Lit., Scoot Micro-Robotic Vehicles, pictures of product, product available over the Internet; manufactured in Guangdong, China.

Primary Examiner — Susan E. Krakower

Assistant Examiner — Darlington Ly

(74) *Attorney, Agent, or Firm* — Adam K. Sacharoff; Much Shelist

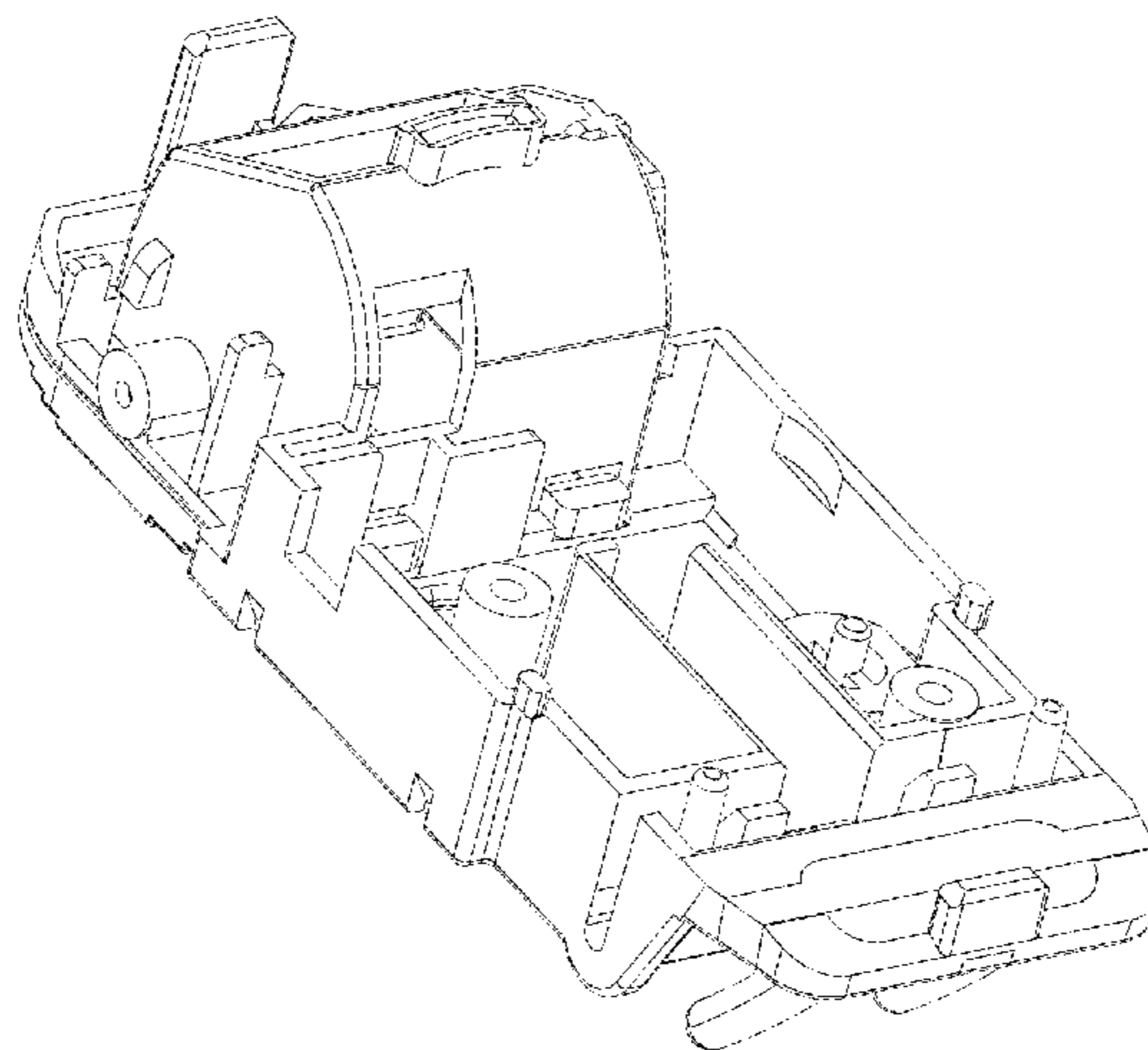
(57) **CLAIM**

The ornamental design for a toy car, as shown and described.

DESCRIPTION

FIG. 1 is a front-top perspective view of a chassis for a toy car; FIG. 2 is a rear-top perspective view of FIG. 1; FIG. 3 is a bottom-front perspective view of FIG. 1; FIG. 4 is a bottom-rear perspective view of FIG. 1; FIG. 5 is a top view of FIG. 1; FIG. 6 is a bottom view of FIG. 1; FIG. 7 is a front view of FIG. 1; FIG. 8 is a rear view of FIG. 1; FIG. 9 is a left side view of FIG. 1; and, FIG. 10 is a right side view of FIG. 1.

1 Claim, 10 Drawing Sheets



(56)

References Cited

U.S. PATENT DOCUMENTS

3,535,821 A 10/1970 Ieda
 D224,744 S * 9/1972 Spiegel D21/548
 3,860,216 A 1/1975 Brown
 3,948,520 A 4/1976 Barlow
 3,950,889 A 4/1976 Dabney
 D243,235 S 2/1977 Buxbom
 4,021,962 A 5/1977 Axryd
 4,099,628 A 7/1978 Richardson
 4,193,223 A * 3/1980 D'Andrade et al. 446/438
 4,326,465 A 4/1982 Forrest
 D266,778 S * 11/1982 Hilko D21/551
 D272,482 S 1/1984 Verschoor
 D276,740 S 12/1984 Stockvis
 4,568,300 A 2/1986 Rasmussen et al.
 D295,301 S * 4/1988 Matsumoto D21/581
 4,795,154 A 1/1989 Lahr
 D301,655 S 6/1989 Otte
 5,165,347 A 11/1992 Wagner
 D335,740 S 5/1993 Fujimoto et al.
 5,232,154 A 8/1993 Jenkins et al.
 5,722,641 A 3/1998 Martin et al.

D393,304 S * 4/1998 Yeh D21/548
 D457,576 S * 5/2002 Zweiback et al. D21/548
 6,439,955 B1 8/2002 Feketo
 6,648,723 B2 11/2003 Clark et al.
 6,758,718 B1 * 7/2004 Morris 446/431
 6,895,648 B1 5/2005 Willett
 6,991,221 B1 1/2006 Rodriguez
 D533,606 S * 12/2006 Kaminski D21/548
 D667,509 S * 9/2012 Mimlitch et al. D21/550
 D699,301 S * 2/2014 Pak D21/548
 2002/0100901 A1 8/2002 Topelberg et al.
 2012/0077411 A1 * 3/2012 Amireh 446/456
 2013/0109273 A1 * 5/2013 Koshida et al. 446/465

FOREIGN PATENT DOCUMENTS

EC 000100938-0001 11/2003
 EC 000516661-0001 4/2006
 EC 001258917-0016 5/2011
 JP 09099177 A * 4/1997 A63H 3/00
 JP 2011067231 A * 4/2011 A63H 3/00
 JP 2013116309 A * 6/2013 A63H 3/00

* cited by examiner

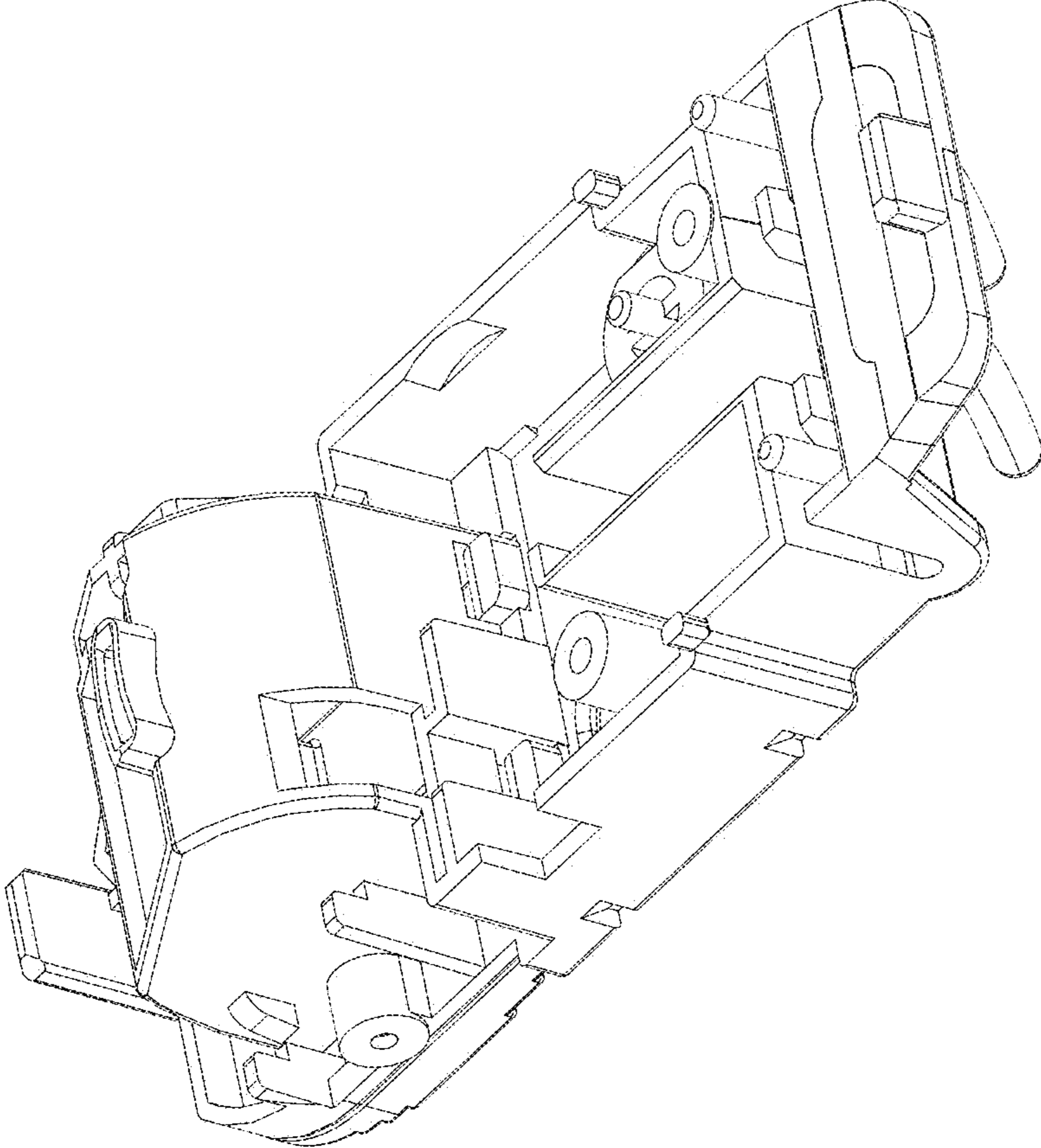


FIGURE 1

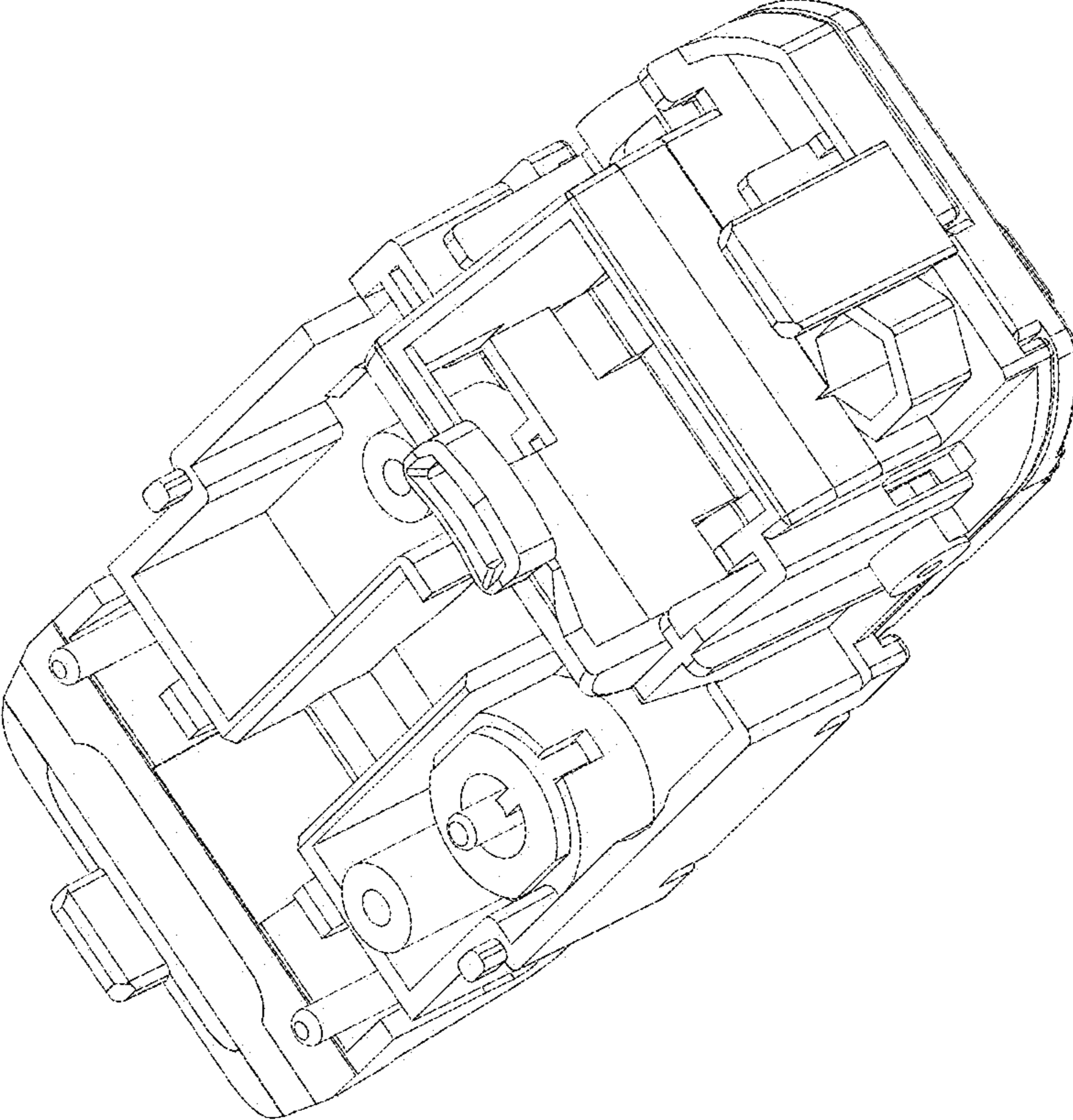


FIGURE 2

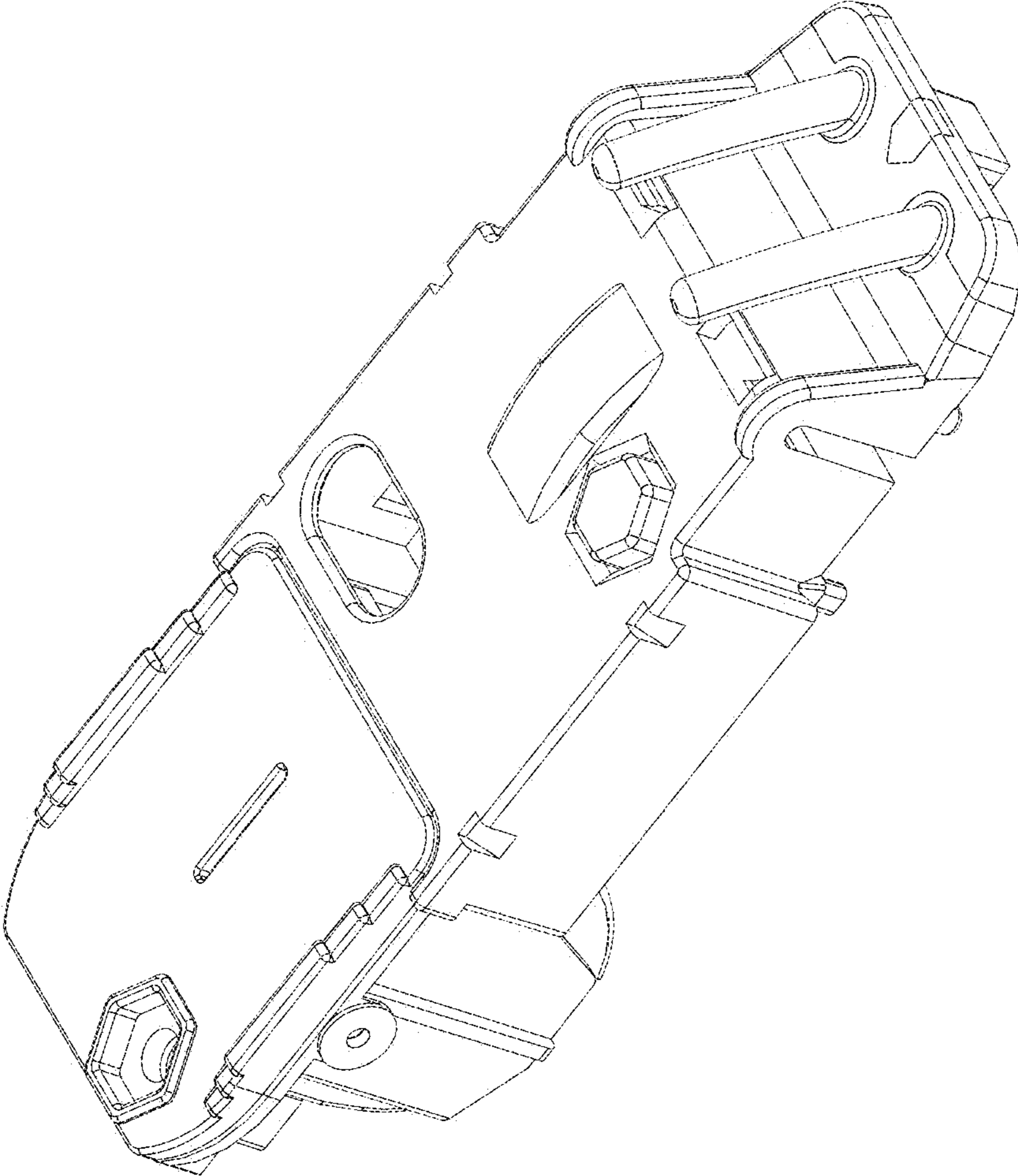


FIGURE 3

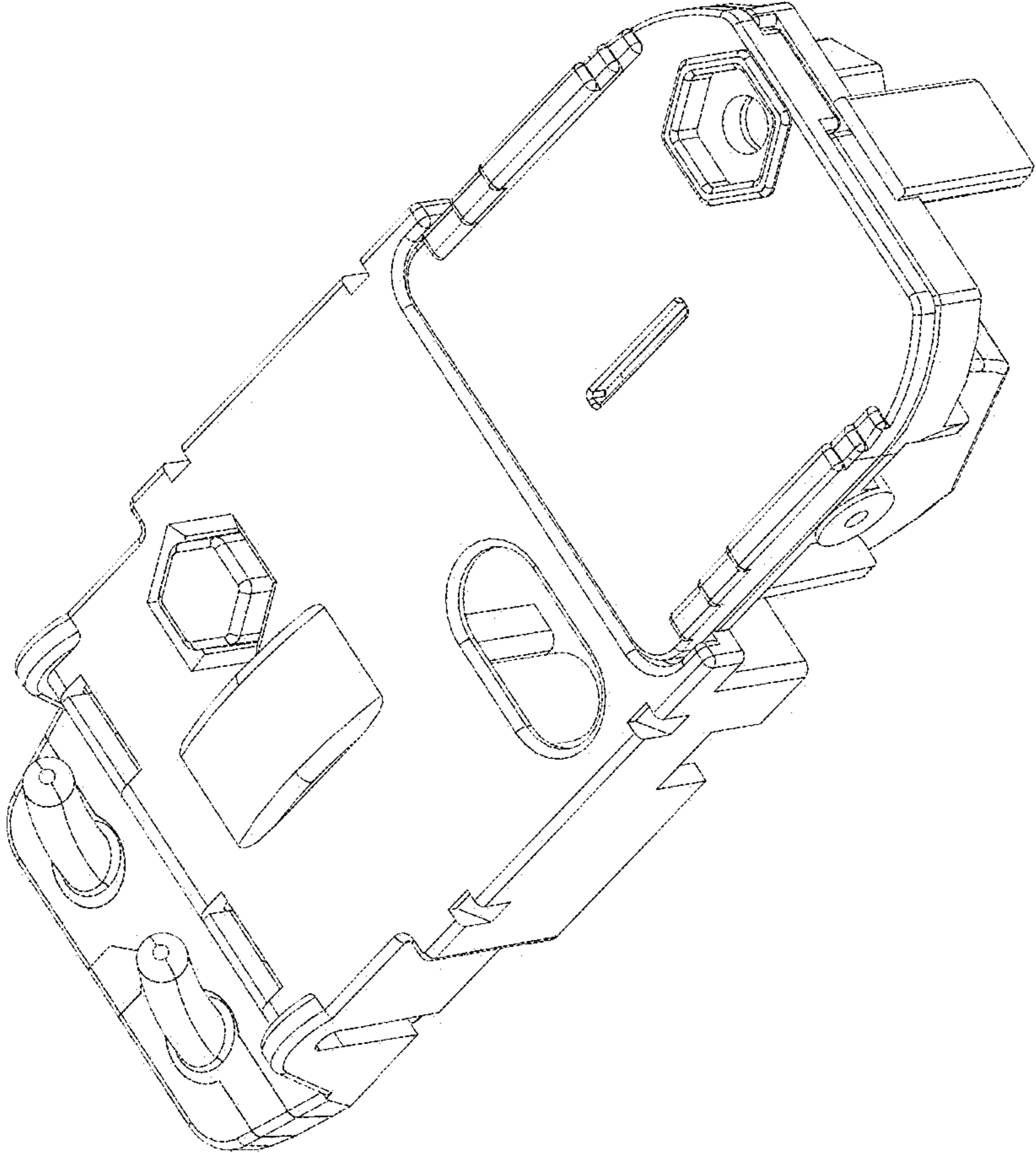


FIGURE 4

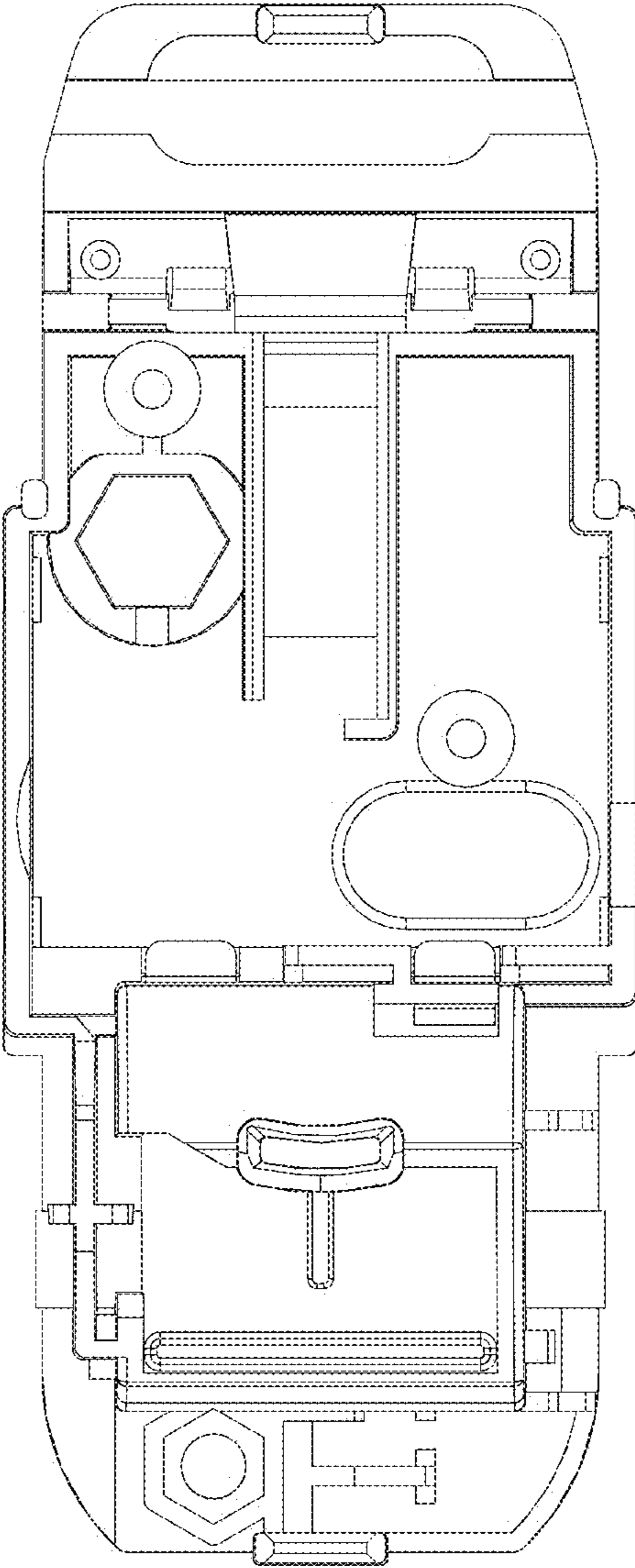


FIGURE 5

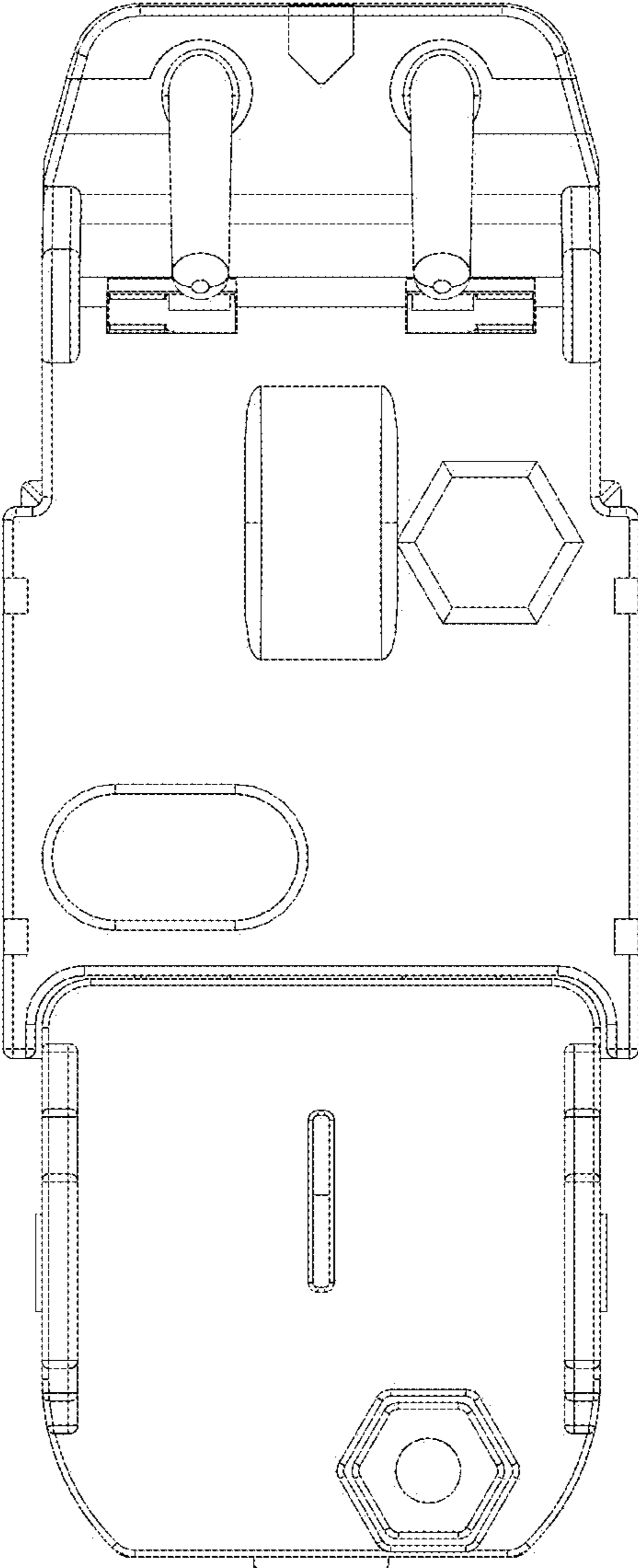


FIGURE 6

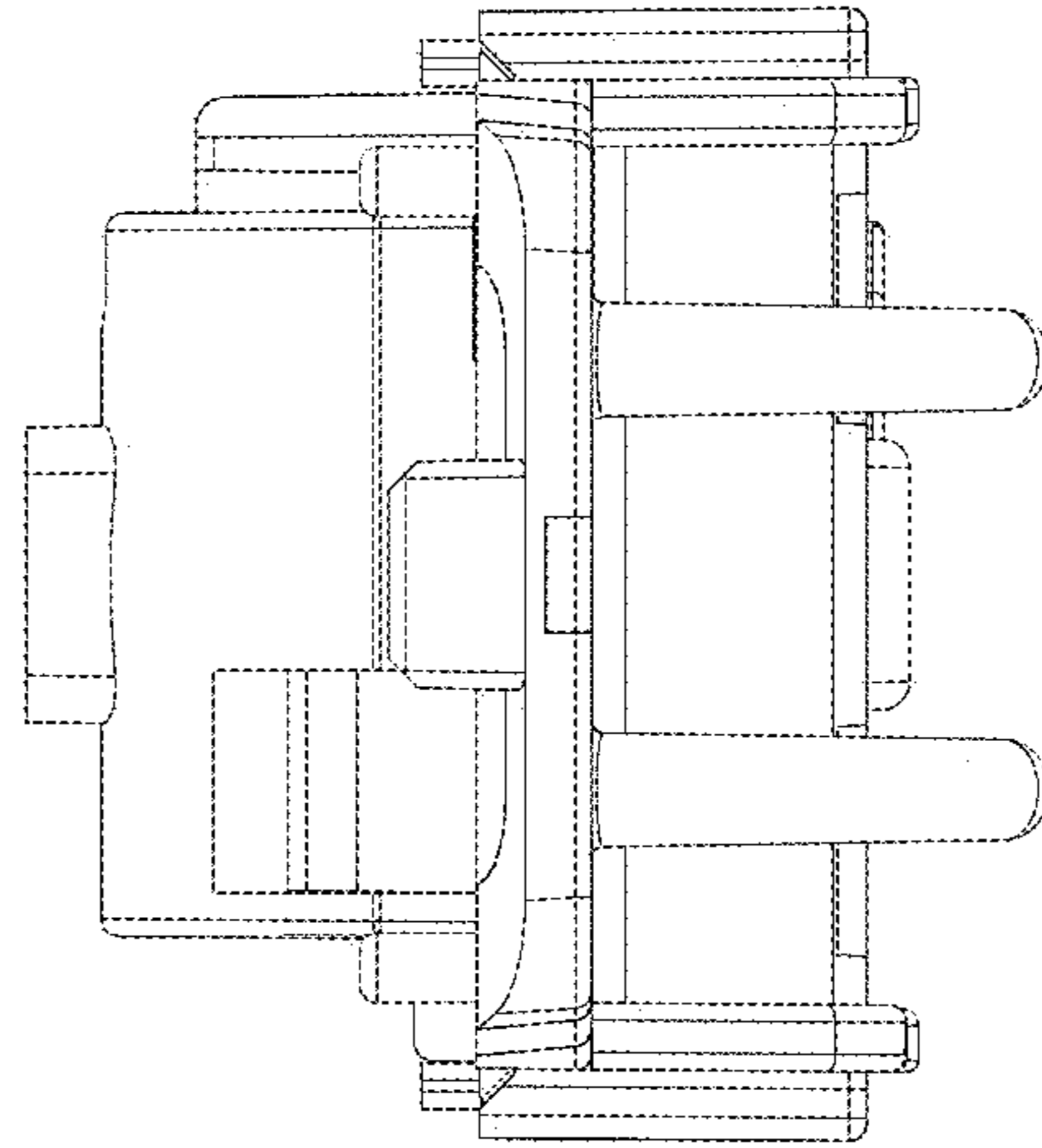


FIGURE 7

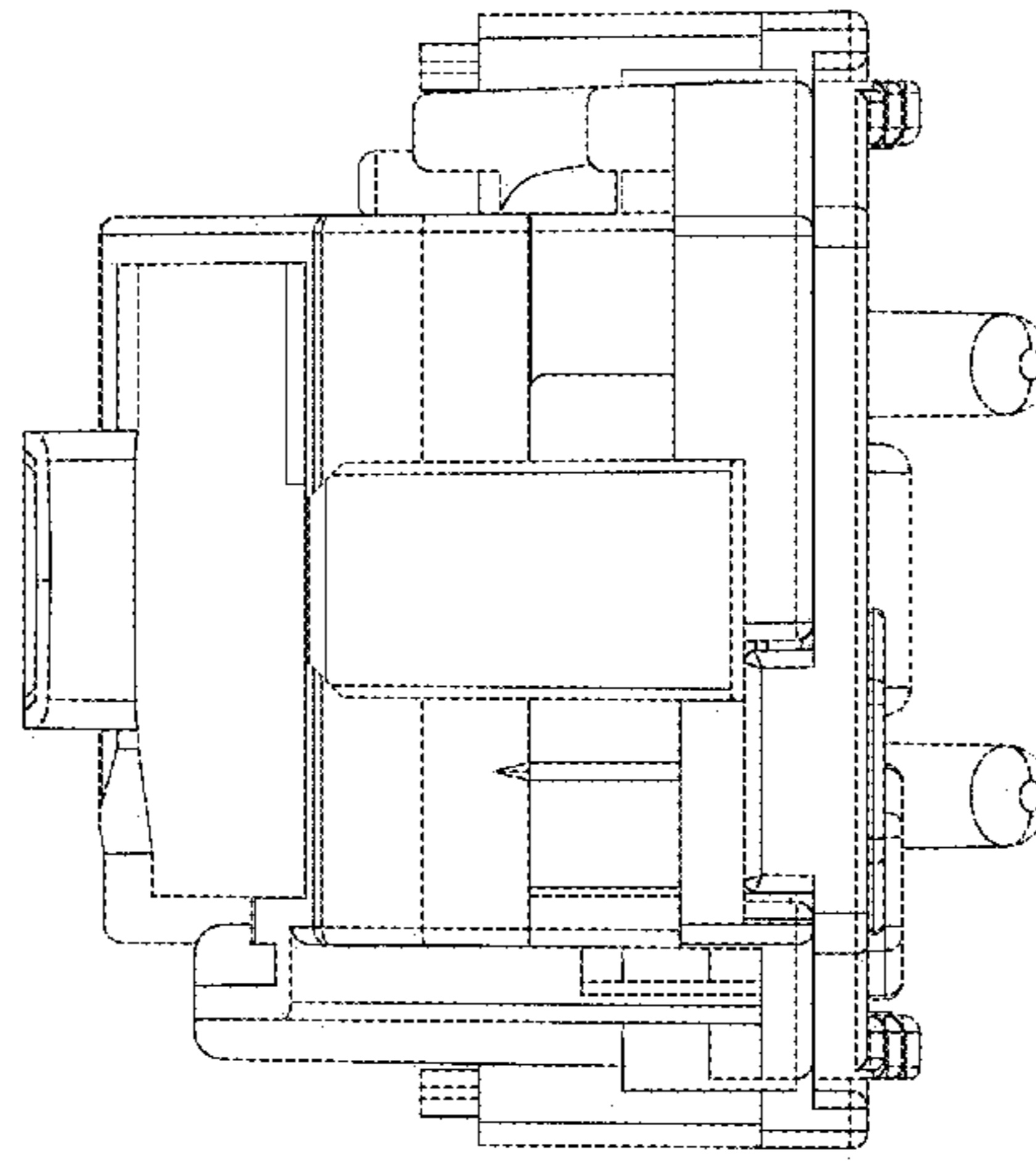


FIGURE 8

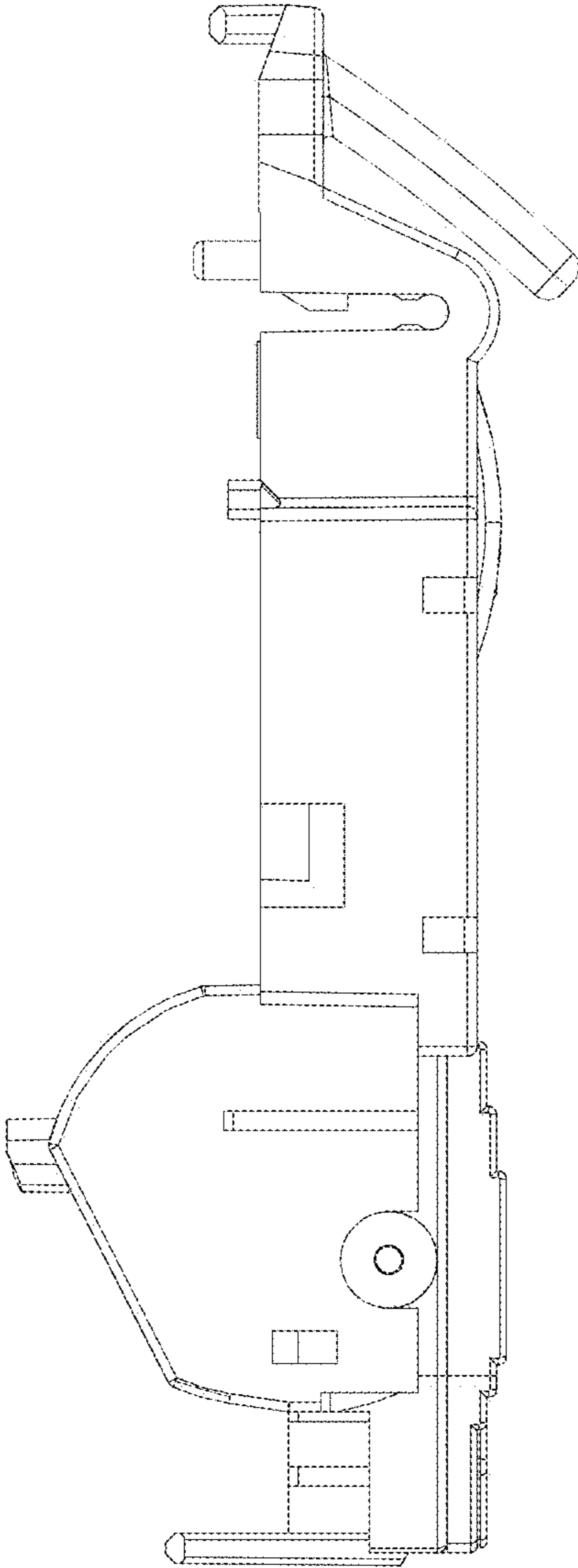


FIGURE 9

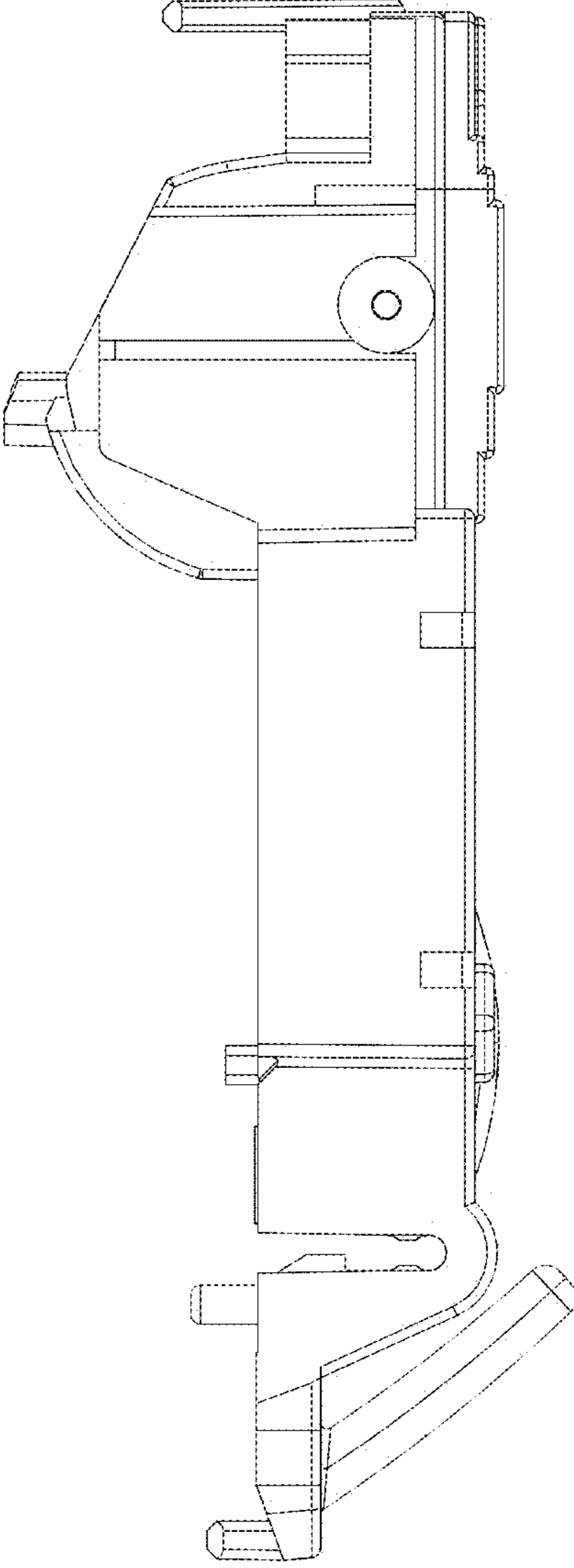


FIGURE 10