



US00D717377S

(12) **United States Design Patent**
Orenstein et al.

(10) **Patent No.:** **US D717,377 S**
(45) **Date of Patent:** **** Nov. 11, 2014**

(54) **SCOOTER**
(75) Inventors: **Amber Orenstein**, Prior Lake, MN
(US); **Louis F. Polk, III**, Excelsior, MN
(US); **Jason Ness**, Victoria, MN (US)
(73) Assignee: **The Prophet Corporation**, Owatonna,
MN (US)
(**) Term: **14 Years**

3,197,227 A 7/1965 Anselmo
3,339,939 A 9/1967 Bowers
3,374,000 A 3/1968 Wetzel
3,567,242 A 3/1971 Miller
3,604,722 A 9/1971 Boley
3,613,307 A 10/1971 Baynes et al.
3,633,774 A 1/1972 Lee
3,705,730 A 12/1972 Bergsland
3,822,069 A 7/1974 Hoff
3,870,334 A 3/1975 Cole
D236,743 S 9/1975 Moustakas
3,944,258 A 3/1976 Christensen
4,002,352 A 1/1977 Hager

(21) Appl. No.: **29/396,602**

(Continued)

(22) Filed: **Jul. 1, 2011**

OTHER PUBLICATIONS

(51) **LOC (10) Cl.** **21-01**

Gopher Catalog, front cover and pp. A1-A2 and 30-33 (2001).

(52) **U.S. Cl.**

(Continued)

USPC **D21/419**; D21/423; D21/760

(58) **Field of Classification Search**

USPC D21/419, 421, 423, 426, 662, 760, 765,
D21/766, 769, 771, 776, 803; D12/1;
280/7.14, 11.115, 11.19, 11.27, 11.28,
280/14.21, 79.11, 79.2, 87.01, 87.021,
280/87.03, 87.041, 87.042, 607, 608, 609,
280/809; 180/180, 181; 434/247, 253, 258;
D34/23, 28

Primary Examiner — Cynthia M Chin

(74) *Attorney, Agent, or Firm* — Merchant & Gould P.C.

See application file for complete search history.

(57)

CLAIM

The ornamental design for a scooter, as shown and described.

(56)

References Cited

DESCRIPTION

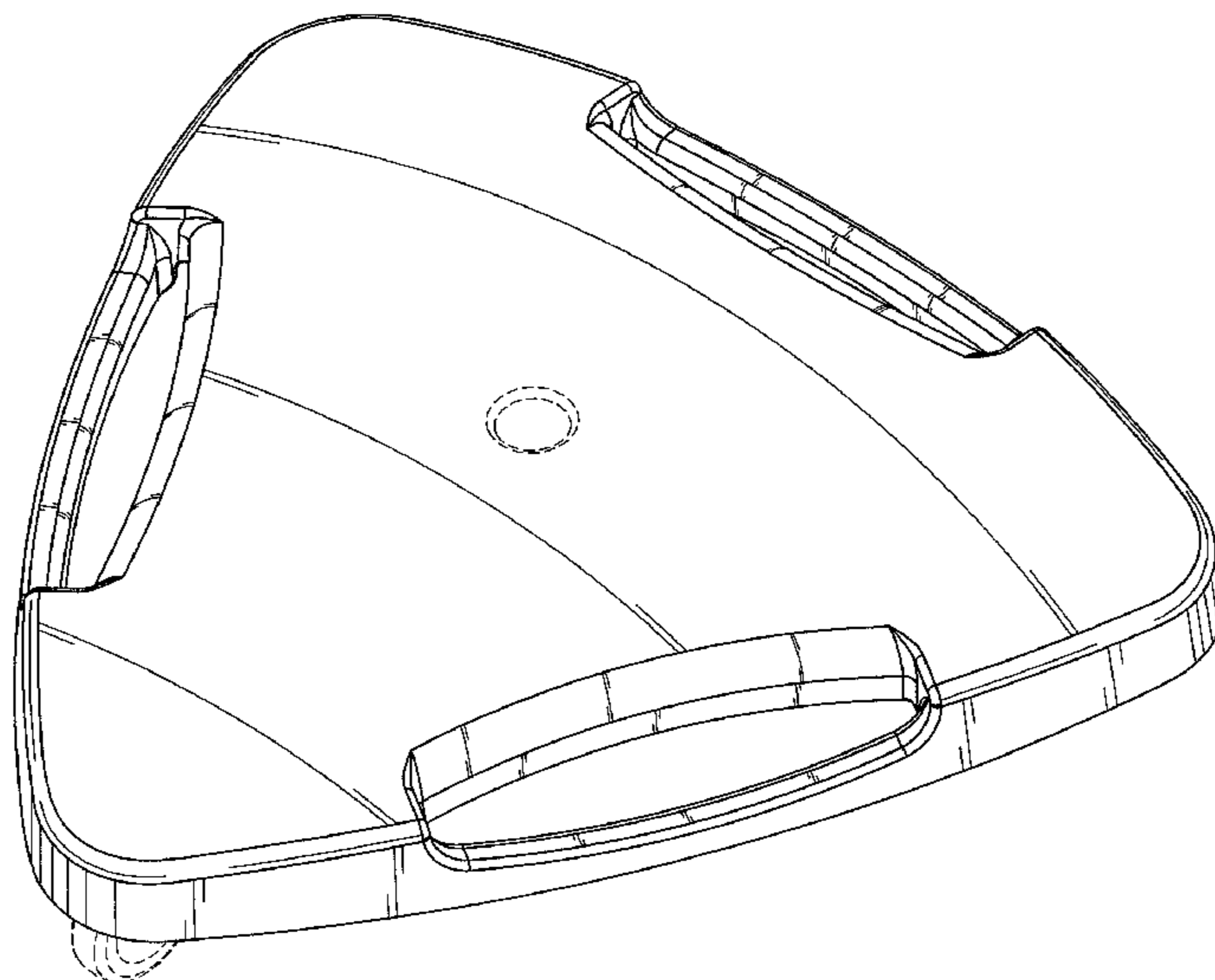
U.S. PATENT DOCUMENTS

1,052,722 A 2/1913 Hegel
1,267,050 A 5/1918 Brigel
1,467,453 A * 9/1923 Remacle 280/87.042
1,510,585 A 10/1924 Cushing, Sr. et al.
2,246,628 A 6/1941 Heckman
2,288,568 A 6/1942 Holmes
2,351,293 A 6/1944 Saunders
2,932,528 A 4/1960 Miller et al.
3,094,340 A 6/1963 Richardson et al.

FIG. 1 is a top perspective view of a scooter;
FIG. 2 is a first side view of the scooter of FIG. 1;
FIG. 3 is a second side view of the scooter of FIG. 1;
FIG. 4 is a third side view of the scooter of FIG. 1;
FIG. 5 is a fourth side view of the scooter of FIG. 1;
FIG. 6 is a top view of the scooter of FIG. 1; and,
FIG. 7 is a bottom view of the scooter of FIG. 1.

The portions shown in dashed lines in the various FIGS. including the three swivel caster wheels are shown for the purpose of illustrating the unclaimed portions of the article and form no part of the claimed design.

1 Claim, 5 Drawing Sheets



(56)

References Cited

U.S. PATENT DOCUMENTS

4,029,330 A 6/1977 Runyan, Jr.
 4,062,557 A 12/1977 Roden
 4,077,644 A 3/1978 Roby et al.
 4,129,315 A 12/1978 McCallum
 4,134,599 A 1/1979 DiMille et al.
 4,203,609 A 5/1980 Mitchell et al.
 4,218,062 A 8/1980 Brooks, Jr.
 4,295,656 A 10/1981 Moore
 D266,100 S 9/1982 Miller
 4,458,906 A 7/1984 Lamson
 5,046,750 A * 9/1991 Heubl 280/87.021
 5,052,703 A 10/1991 Bertrand
 5,074,572 A 12/1991 Delmerico et al.
 5,098,087 A 3/1992 Matile et al.
 5,106,109 A 4/1992 Tattersall et al.
 D356,412 S 3/1995 Hensley, Jr.
 D367,140 S 2/1996 Reese
 5,524,915 A 6/1996 Liu
 5,527,051 A 6/1996 Plaza
 5,551,715 A 9/1996 Pickard
 D378,154 S 2/1997 Presnell
 5,632,497 A 5/1997 Murray
 D381,171 S 7/1997 Culverson
 D389,973 S 1/1998 Murray
 D390,314 S 2/1998 Chen
 5,810,376 A 9/1998 Matheny
 5,823,549 A 10/1998 Morgan, Jr.
 5,863,053 A 1/1999 Berry
 D414,305 S 9/1999 Rohn et al.
 5,947,489 A 9/1999 Tucker
 5,947,495 A 9/1999 Null et al.
 5,947,794 A 9/1999 McGrath
 5,957,482 A 9/1999 Shorter

5,992,865 A 11/1999 Vargas
 6,095,348 A 8/2000 Karashima
 6,199,880 B1 3/2001 Favorito et al.
 6,213,484 B1 4/2001 Rohner
 D446,264 S * 8/2001 Fischer et al. D21/662
 6,276,471 B1 8/2001 Kratzenberg et al.
 6,276,700 B1 8/2001 Way et al.
 6,419,248 B1 7/2002 Kay
 D461,614 S 8/2002 Liu
 D466,560 S * 12/2002 Stolpmann D21/424
 6,550,794 B1 4/2003 Spindel et al.
 6,561,530 B2 * 5/2003 Carbonero 280/87.041
 6,767,264 B2 7/2004 Mercer
 D494,335 S 8/2004 Oberg
 6,776,427 B2 8/2004 Glover
 D500,346 S 12/2004 Glover
 D503,838 S 4/2005 Archambault
 6,893,032 B2 5/2005 Kershaw
 D513,353 S 12/2005 Pederson
 7,213,819 B2 5/2007 Carbonero
 7,226,062 B1 * 6/2007 Stefano 280/87.041
 D549,920 S 8/2007 Dukes
 D645,925 S * 9/2011 Sramek D21/765
 2002/0158437 A1 10/2002 Carbonero
 2009/0267313 A1 10/2009 Kalajyan
 2011/0006497 A1 1/2011 Chen et al.
 2011/0118088 A1 5/2011 Caya et al.
 2013/0001916 A1 1/2013 Orenstein et al.

OTHER PUBLICATIONS

Gopher Catalog, front cover and pp. A1 and 48-54 (Fall 2006).
 Gopher Catalog, front cover and pp. 21 and 50-59 (Spring 2010).
 U.S. Office Action for U.S. Appl. No. 13/175,609 mailed Jan. 17, 2013.

* cited by examiner

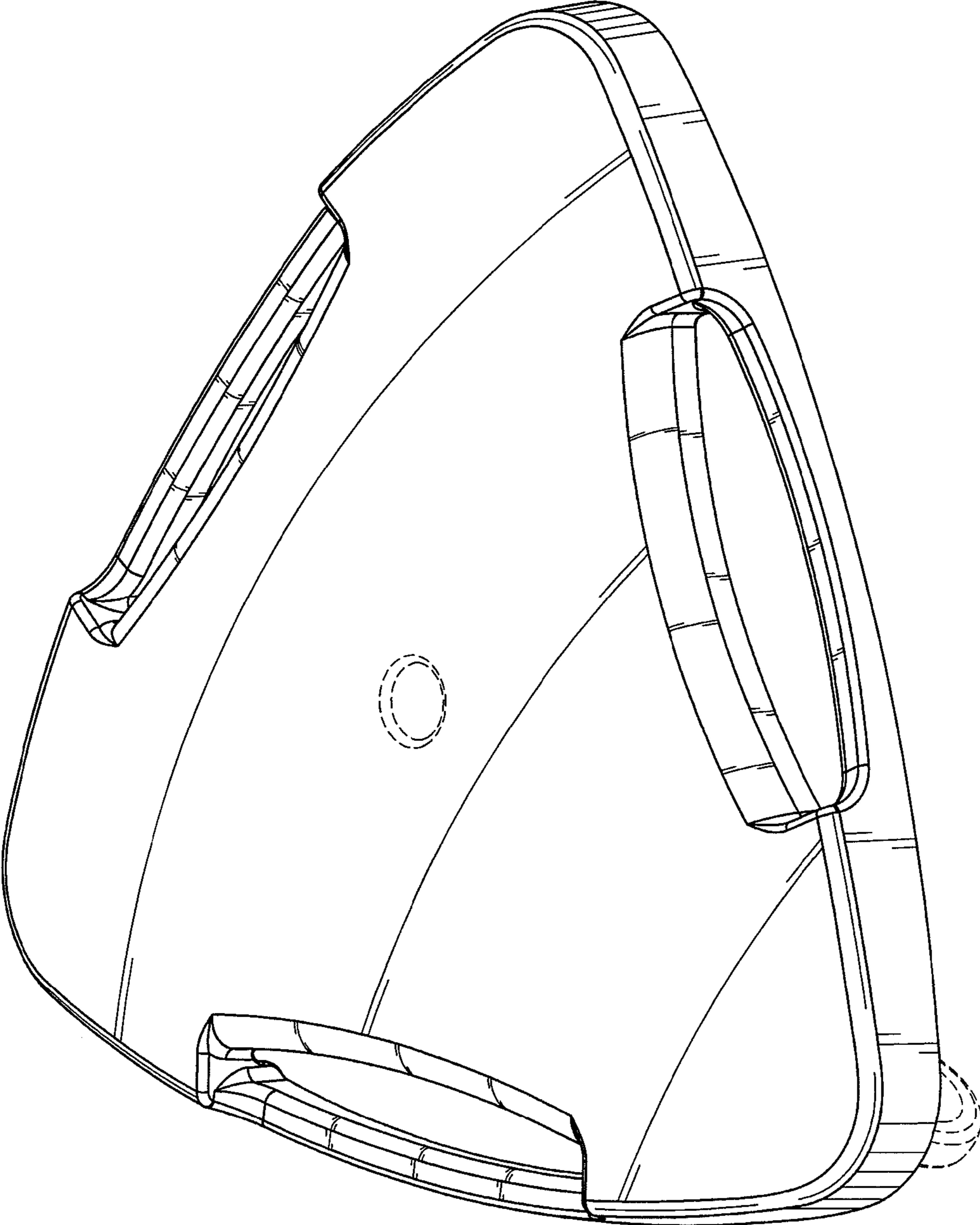


FIG. 1

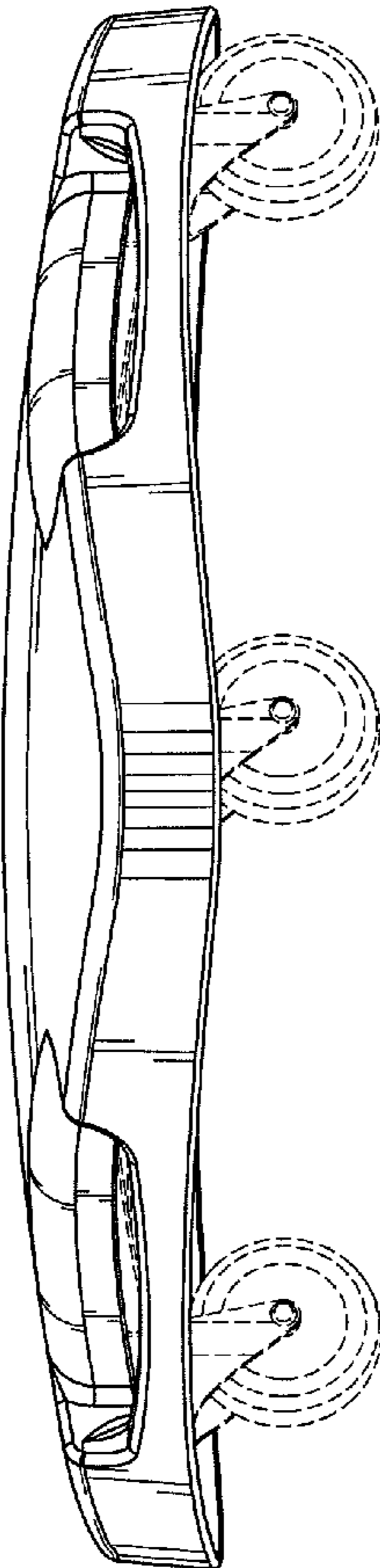


FIG. 2

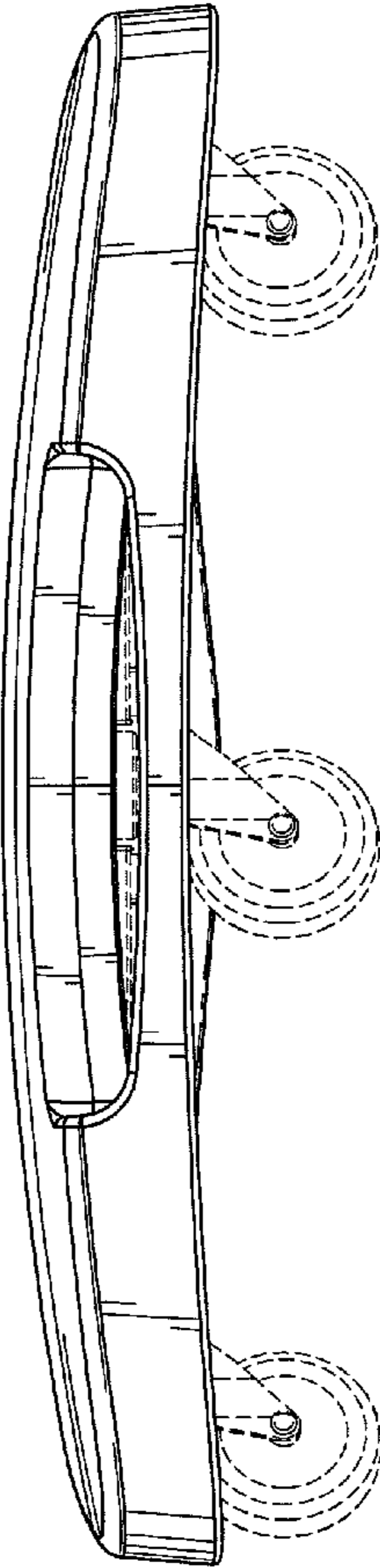


FIG. 3

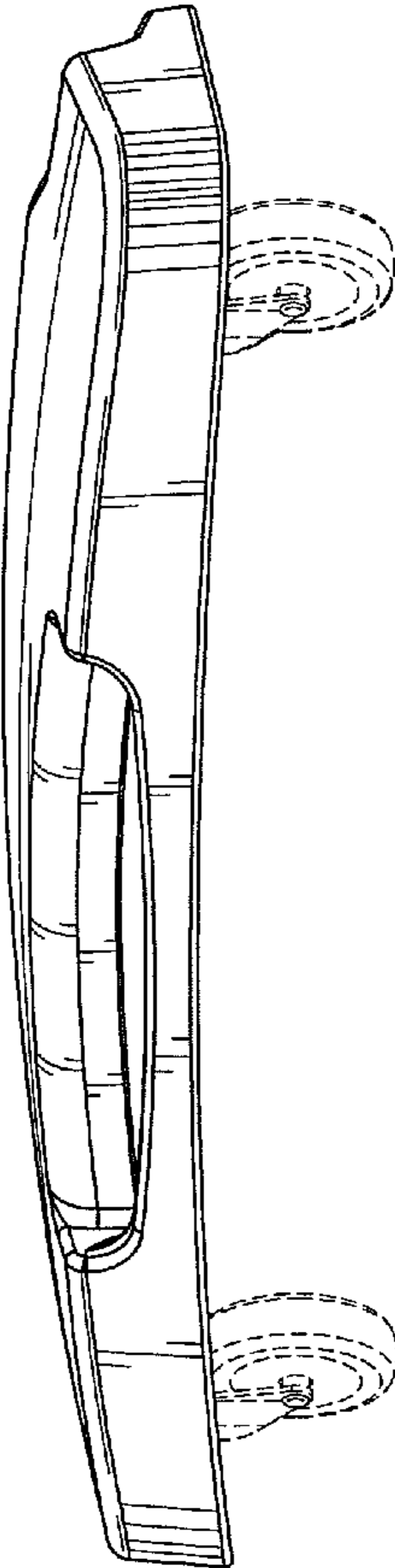


FIG. 4

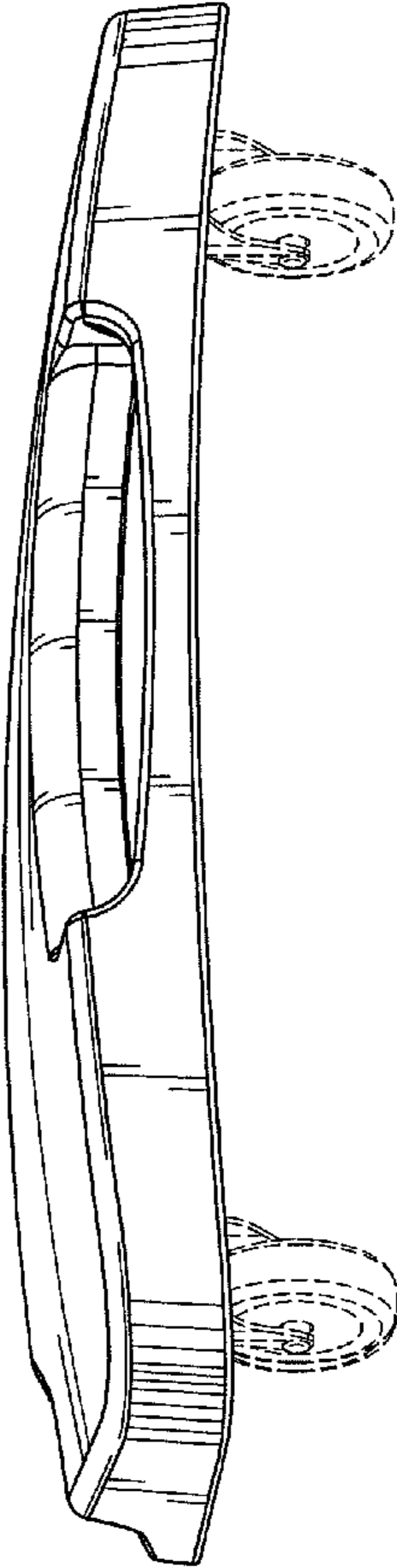


FIG. 5

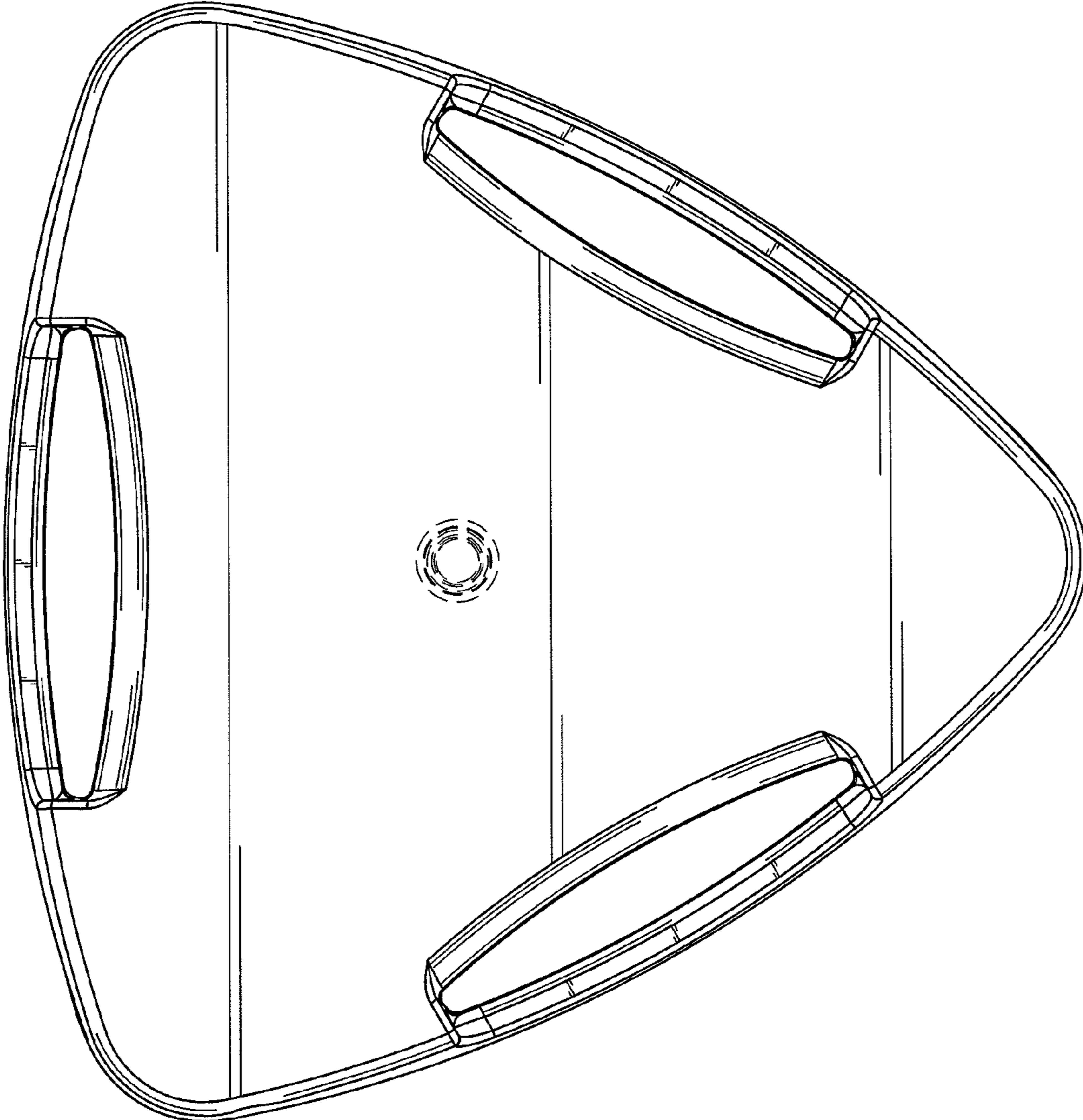


FIG. 6

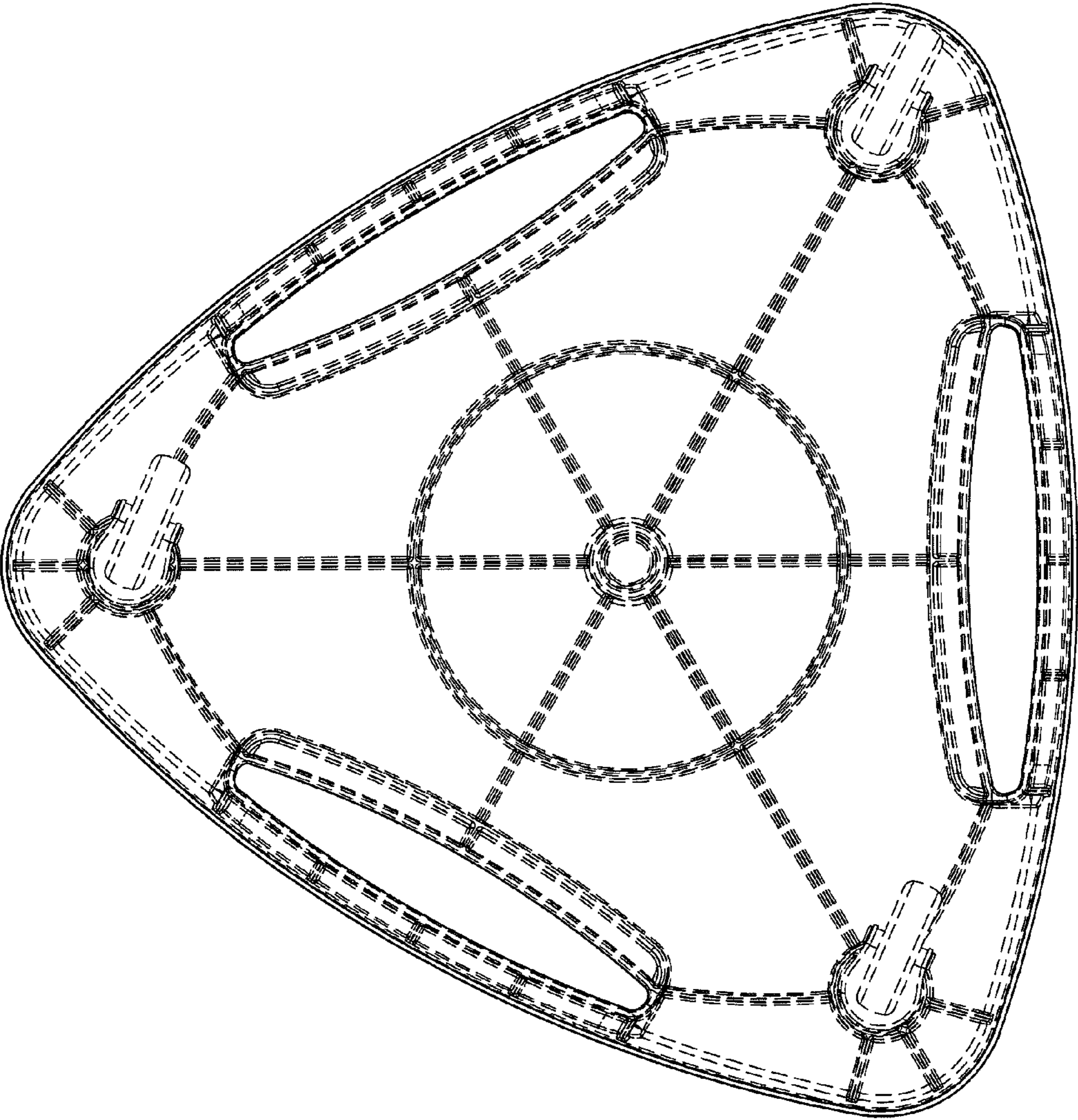


FIG. 7