



US00D717375S

(12) **United States Design Patent**  
**Cooper**

(10) **Patent No.:** **US D717,375 S**

(45) **Date of Patent:** **\*\* Nov. 11, 2014**

(54) **SIGN POST AND FRAME**

(56) **References Cited**

(71) Applicant: **Jonathan Cooper**, New York City, NY  
(US)

U.S. PATENT DOCUMENTS

(72) Inventor: **Jonathan Cooper**, New York City, NY  
(US)

641,522	A *	1/1900	Leger .....	40/651
758,088	A *	4/1904	Mixer .....	40/611.04
1,857,423	A *	5/1932	Zadek .....	40/607.11
1,862,776	A *	6/1932	Timberlake .....	40/606.19
2,070,652	A *	2/1937	Elmer .....	40/651
2,559,106	A *	7/1951	Bishop et al. ....	40/606.14
4,329,800	A *	5/1982	Shuman .....	40/606.14
4,777,750	A *	10/1988	Garfinkle .....	40/607.04
6,009,651	A *	1/2000	Current .....	40/605
6,393,748	B1	5/2002	Cooper	
D667,889	S *	9/2012	Kurmlavage .....	D20/43

(73) Assignee: **APCG, Inc.**, New York, NY (US)

(\*\*) Term: **14 Years**

OTHER PUBLICATIONS

(21) Appl. No.: **29/456,145**

US Trademark Registration No. 3,730,253 to american Pro Cycling Group, Inc.

(22) Filed: **May 29, 2013**

(51) **LOC (10) Cl.** ..... **20-02**

\* cited by examiner

(52) **U.S. Cl.**

USPC ..... **D20/41**; D20/43

*Primary Examiner* — Mary Ann Calabrese

(74) *Attorney, Agent, or Firm* — Michael E. Zall

(58) **Field of Classification Search**

CPC ..... G09F 1/10; G09F 1/12; G09F 1/14;  
G09F 3/08; G09F 3/16; G09F 3/18; G09F  
3/20; G09F 3/2001–3/2004; G09F 7/02;  
G09F 7/04; G09F 7/08; G09F 7/18; G09F  
7/20; G09F 7/22; G09F 15/00; G09F 15/006;  
G09F 15/0012; G09F 15/0068; E01F 9/0018  
USPC ..... D20/10, 19, 39, 41, 43, 99; 40/606.01,  
40/606.03, 606.14, 606.19, 607.01,  
40/607.03, 607.04, 607.1, 611.04, 637,  
40/642.02, 643, 644, 645, 649–655,  
40/654.01, 658, 661, 661.02,  
40/661.04–661.09, 662, 666; D6/300,  
D6/381.1

(57) **CLAIM**

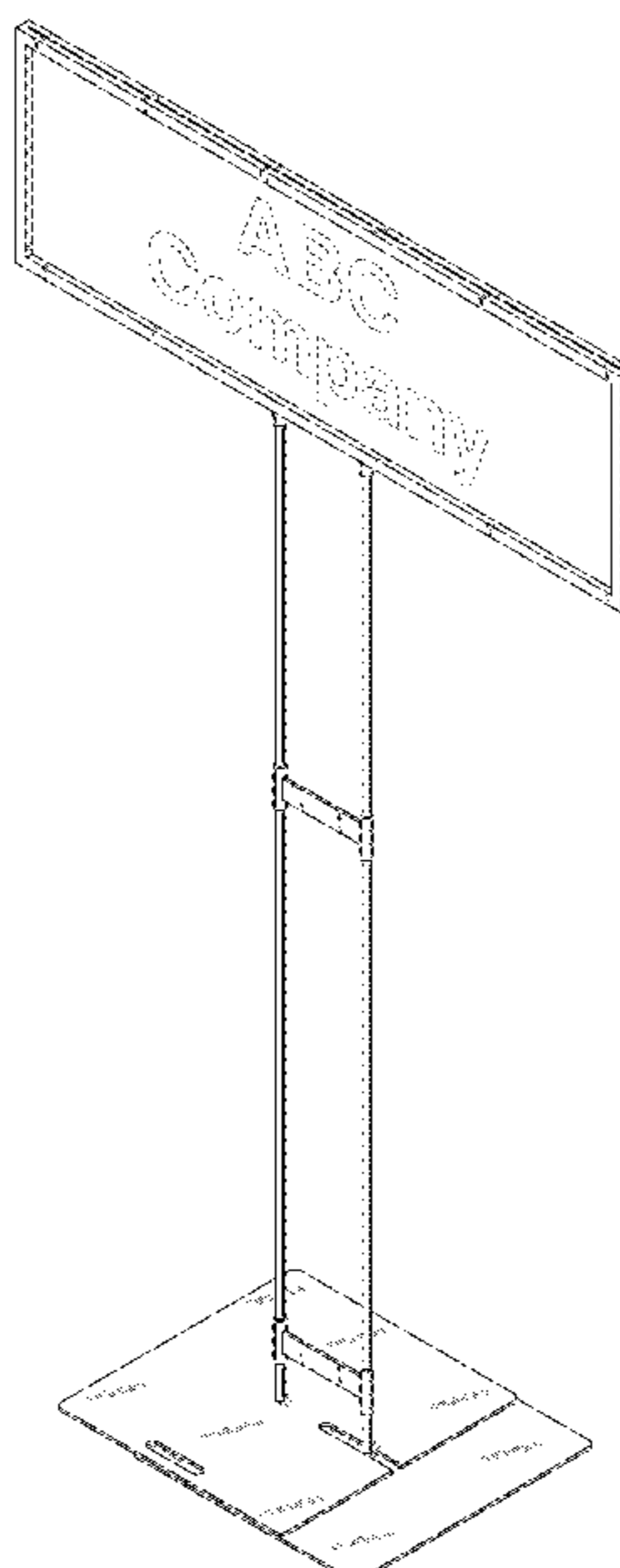
I claim the ornamental design for a sign post and frame, as shown and described.

**DESCRIPTION**

FIG. 1 is a front perspective view of a new design of a sign post and frame showing my new design.  
FIG. 2 is a front view thereof, the rear being identical thereto.  
FIG. 3 is a right side view thereof.  
FIG. 4 is a left side view thereof.  
FIG. 5 is a top view thereof; and,  
FIG. 6 is a bottom view thereof.  
The broken lines in the figures depict environmental subject matter only and forms no part of the claimed design.  
FIGS. 2-4 are shown broken away for ease of disclosure on the drawing sheet.

See application file for complete search history.

**1 Claim, 4 Drawing Sheets**



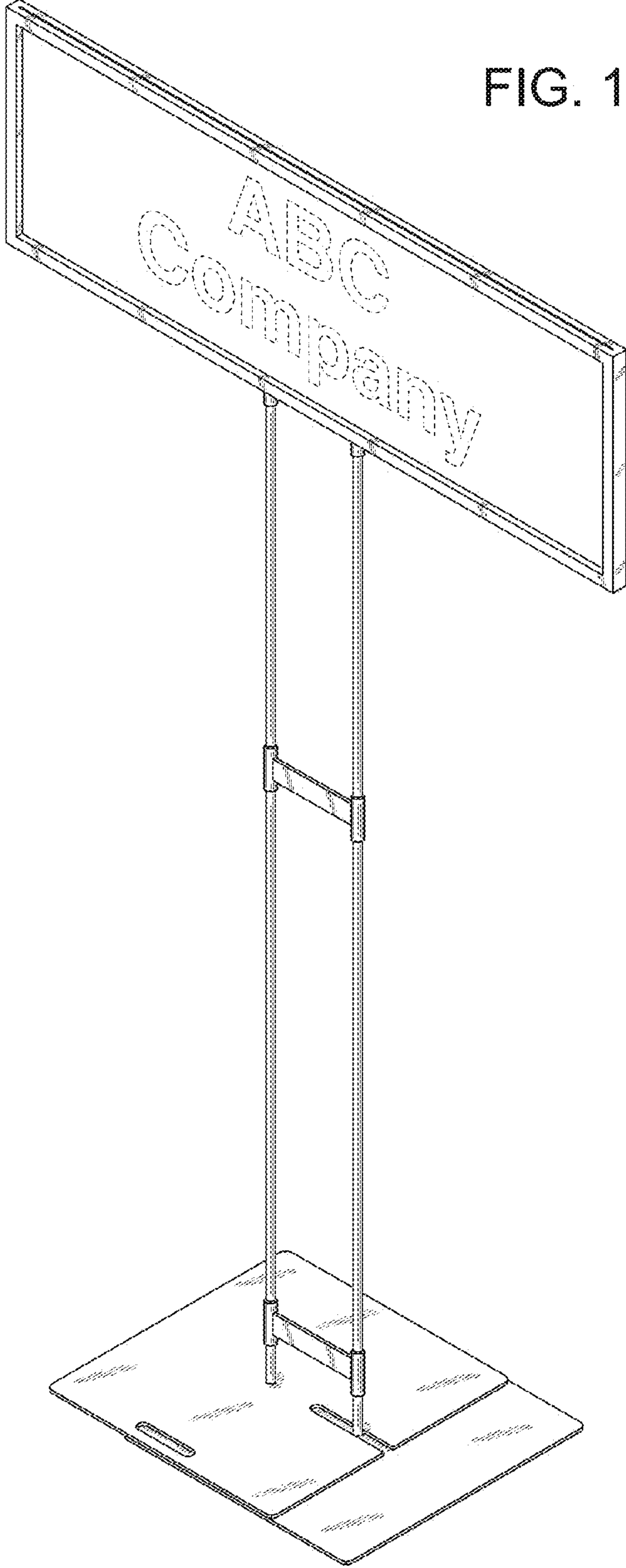


FIG. 1

FIG. 2

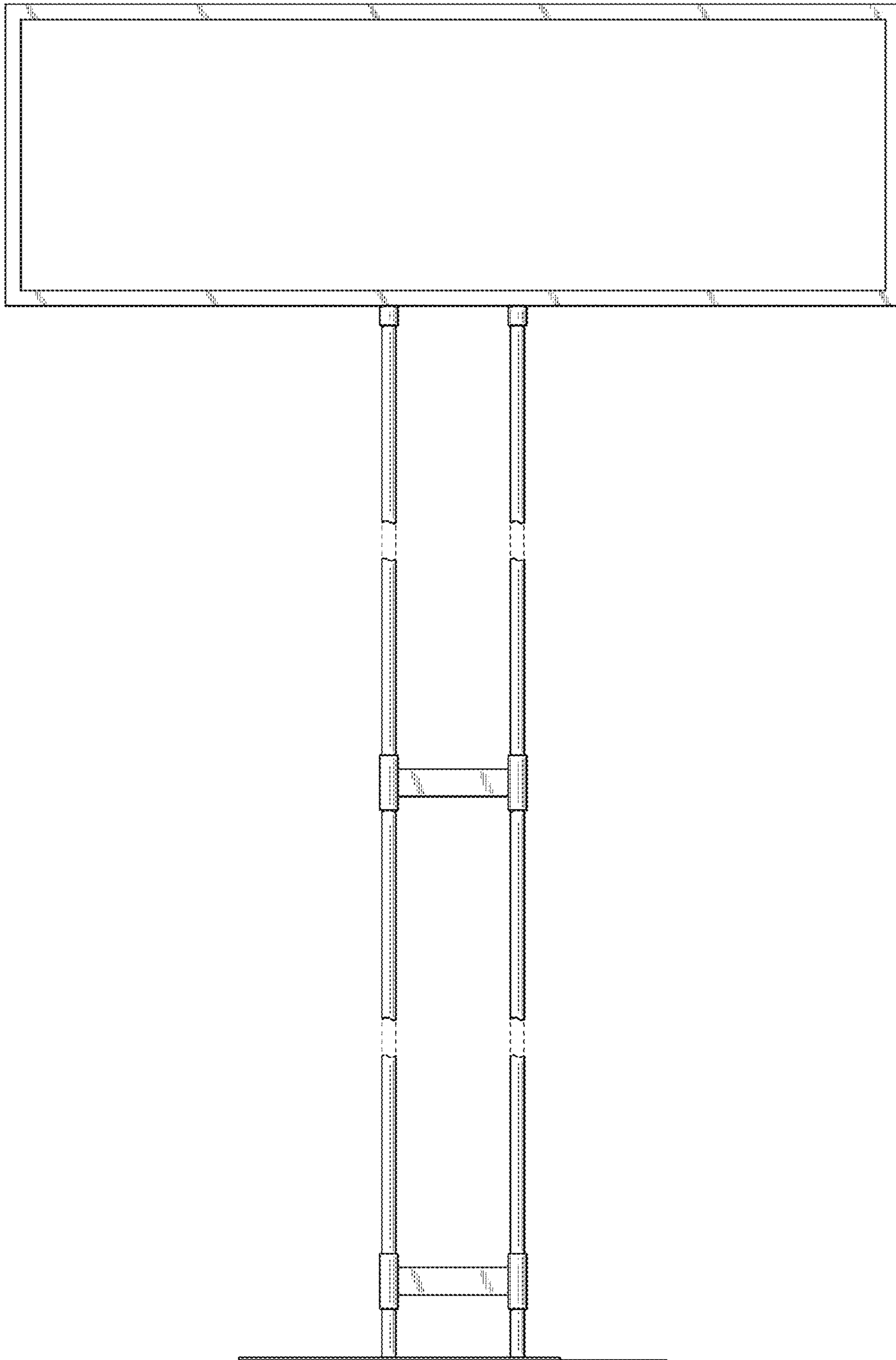


FIG. 3

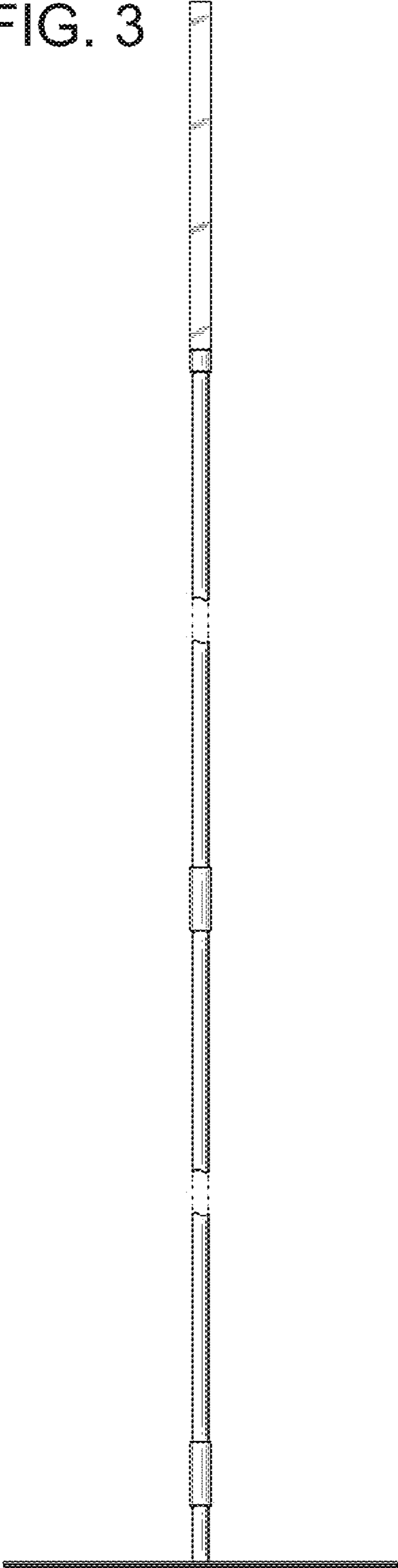


FIG. 4

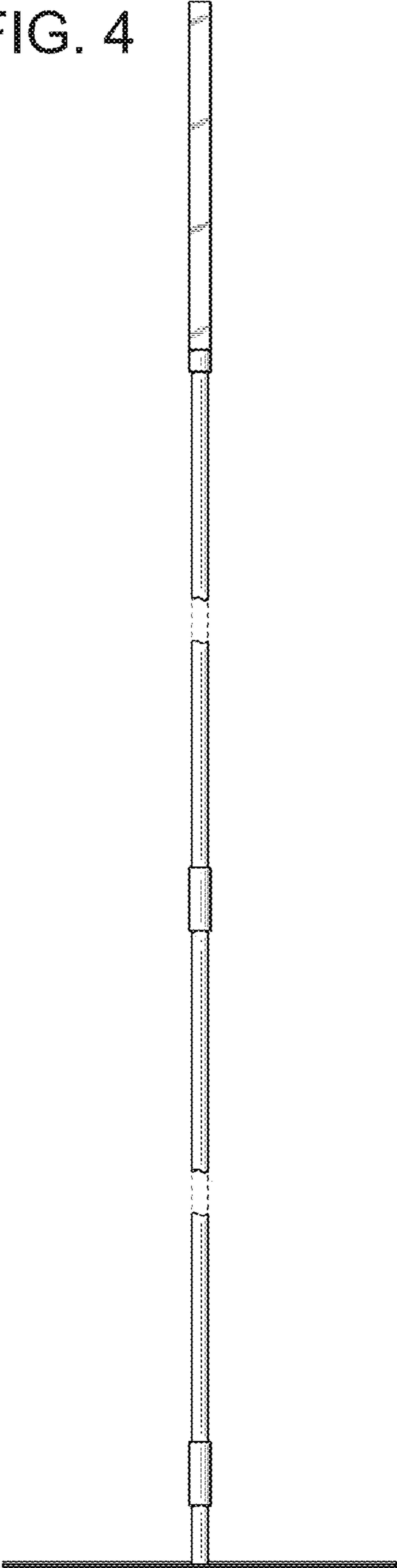


FIG. 5

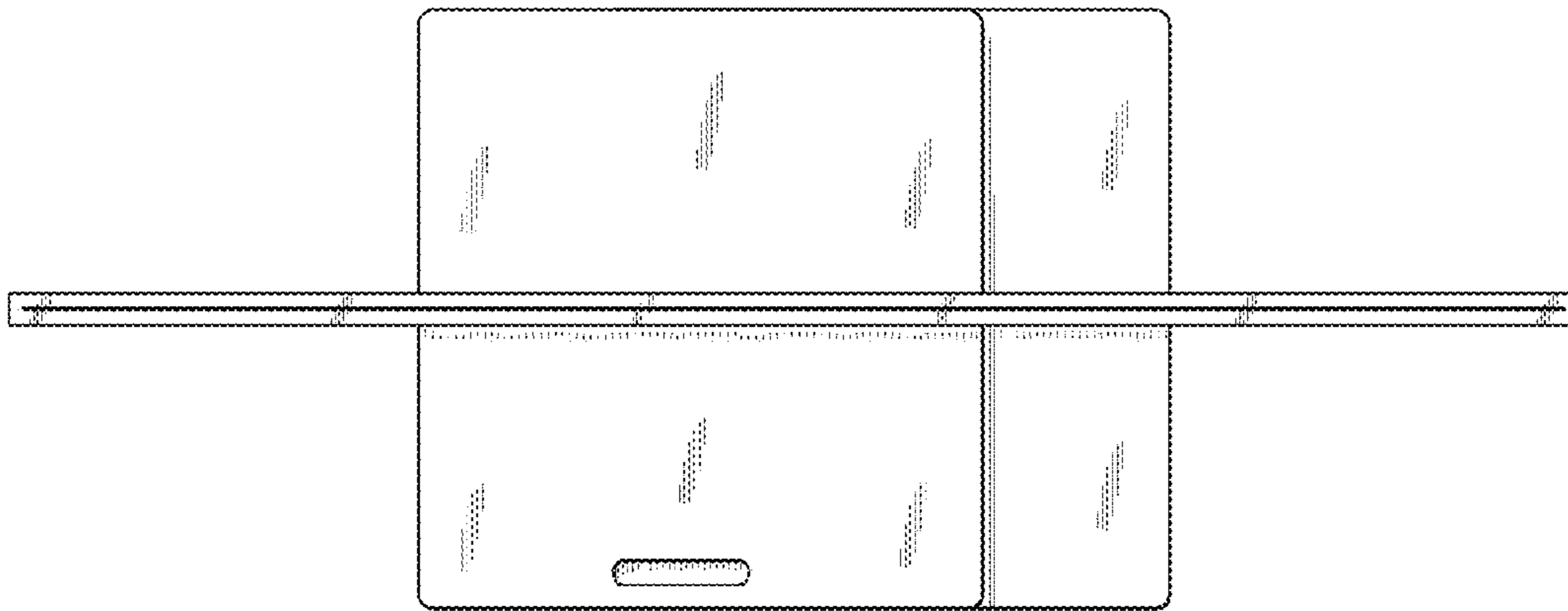


FIG. 6

