



US00D717371S

(12) **United States Design Patent**
Tsai

(10) **Patent No.:** **US D717,371 S**
(45) **Date of Patent:** **** Nov. 11, 2014**

(54) **DOCUMENT RACK**

(71) Applicant: **Dongguan Master United Plastic & Hardware Products Co., Ltd,**
Dongguan (CN)

(72) Inventor: **Tsung-Yu Tsai,** Changhua (TW)

(73) Assignee: **Pretty Star Store LLC,** Rowland Heights, CA (US)

(**) Term: **14 Years**

(21) Appl. No.: **29/468,504**

(22) Filed: **Oct. 1, 2013**

(51) **LOC (10) Cl.** **19-02**

(52) **U.S. Cl.**
USPC **D19/90**

(58) **Field of Classification Search**
CPC B42F 17/02; B42F 17/12; A47B 43/00;
A47B 63/00
USPC D6/629; D19/75, 77, 78, 86-91;
206/39.5, 215, 233, 425, 449; 211/10,
211/11, 45, 50, 55, 87.01, 126.13, 126.16
See application file for complete search history.

(56) **References Cited**

U.S. PATENT DOCUMENTS

289,825	A *	12/1883	Fulton	211/50
451,729	A *	5/1891	Dom	211/11
1,456,446	A *	5/1923	Hotaling	211/50
D199,943	S *	12/1964	Elvestad	D6/566
3,176,849	A *	4/1965	Peebles	211/50
D205,644	S *	8/1966	Macowski	D19/90

D221,703	S *	8/1971	Fleming	D19/90
3,951,270	A *	4/1976	Kiss	211/119
4,087,926	A *	5/1978	Breslau et al.	34/70
4,410,093	A *	10/1983	Chiariello et al.	211/11
4,593,822	A *	6/1986	Yeane et al.	211/41.8
D284,482	S *	7/1986	Sun	D19/90
D364,074	S *	11/1995	Yeh	D7/637
6,116,436	A *	9/2000	Ferrucci et al.	211/187
D433,712	S *	11/2000	Walsh	D19/90
D538,106	S *	3/2007	Julian	D7/409
D555,203	S *	11/2007	Goodman et al.	D19/90
D585,094	S *	1/2009	Smith	D19/90
D639,613	S *	6/2011	Goodman et al.	D7/632
D689,945	S *	9/2013	Hu	D19/90
D691,659	S *	10/2013	Hu	D19/90
2009/0065452	A1 *	3/2009	Smith	211/11
2011/0062093	A1 *	3/2011	McGhee	211/50

* cited by examiner

Primary Examiner — Elizabeth Albert

(74) *Attorney, Agent, or Firm* — Muncy, Geissler, Olds & Lowe, P.C.

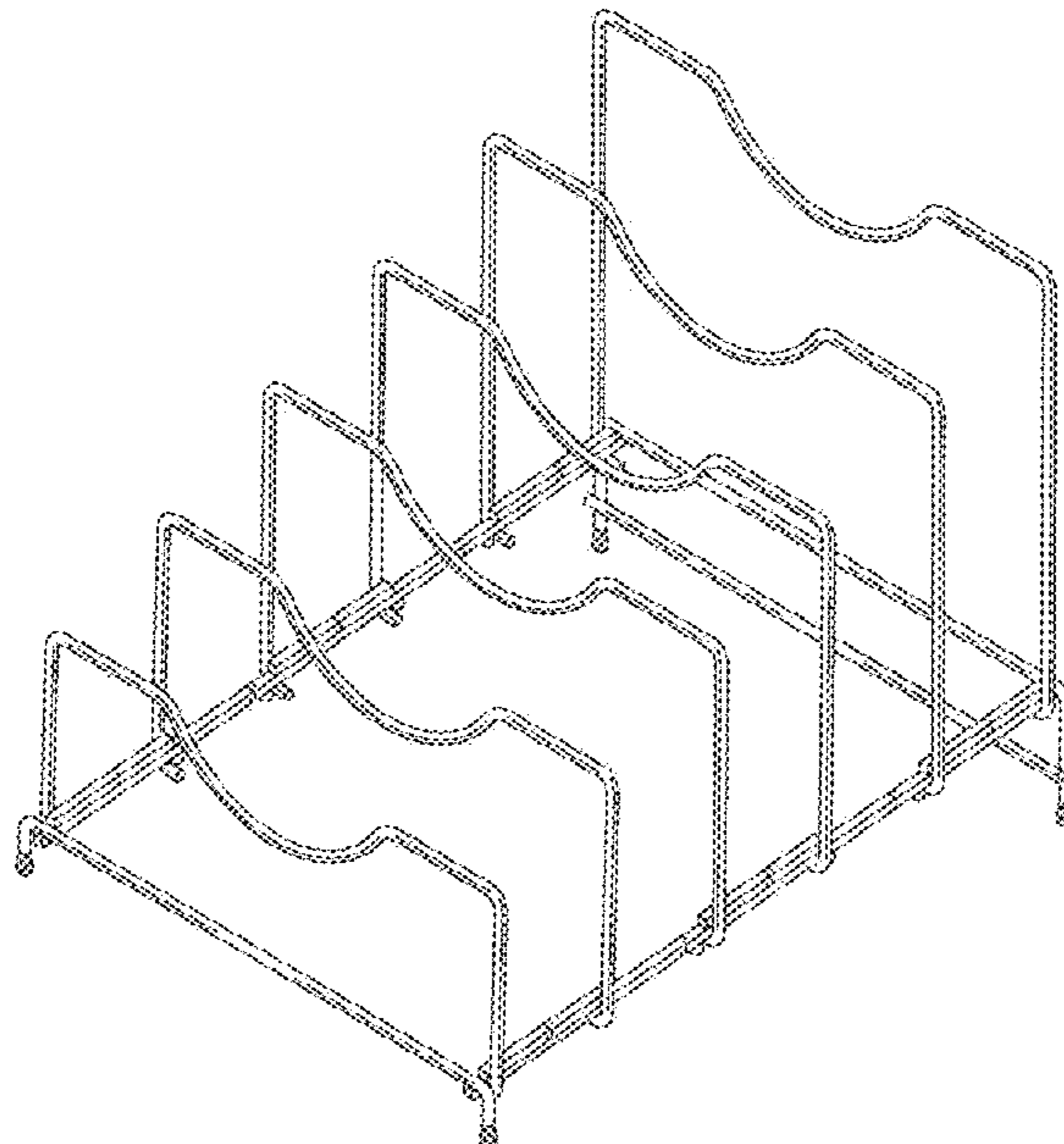
(57) **CLAIM**

The ornamental design for a document rack, as shown and described.

DESCRIPTION

FIG. 1 shows a perspective view of the present design.
FIG. 2 shows a front view of the present design,
FIG. 3 shows a rear view of the present design.
FIG. 4 shows a left side view of the present design
FIG. 5 shows a right side view of the present design.
FIG. 6 shows a top view of the present design; and,
FIG. 7 shows a bottom view of the present design.

1 Claim, 7 Drawing Sheets



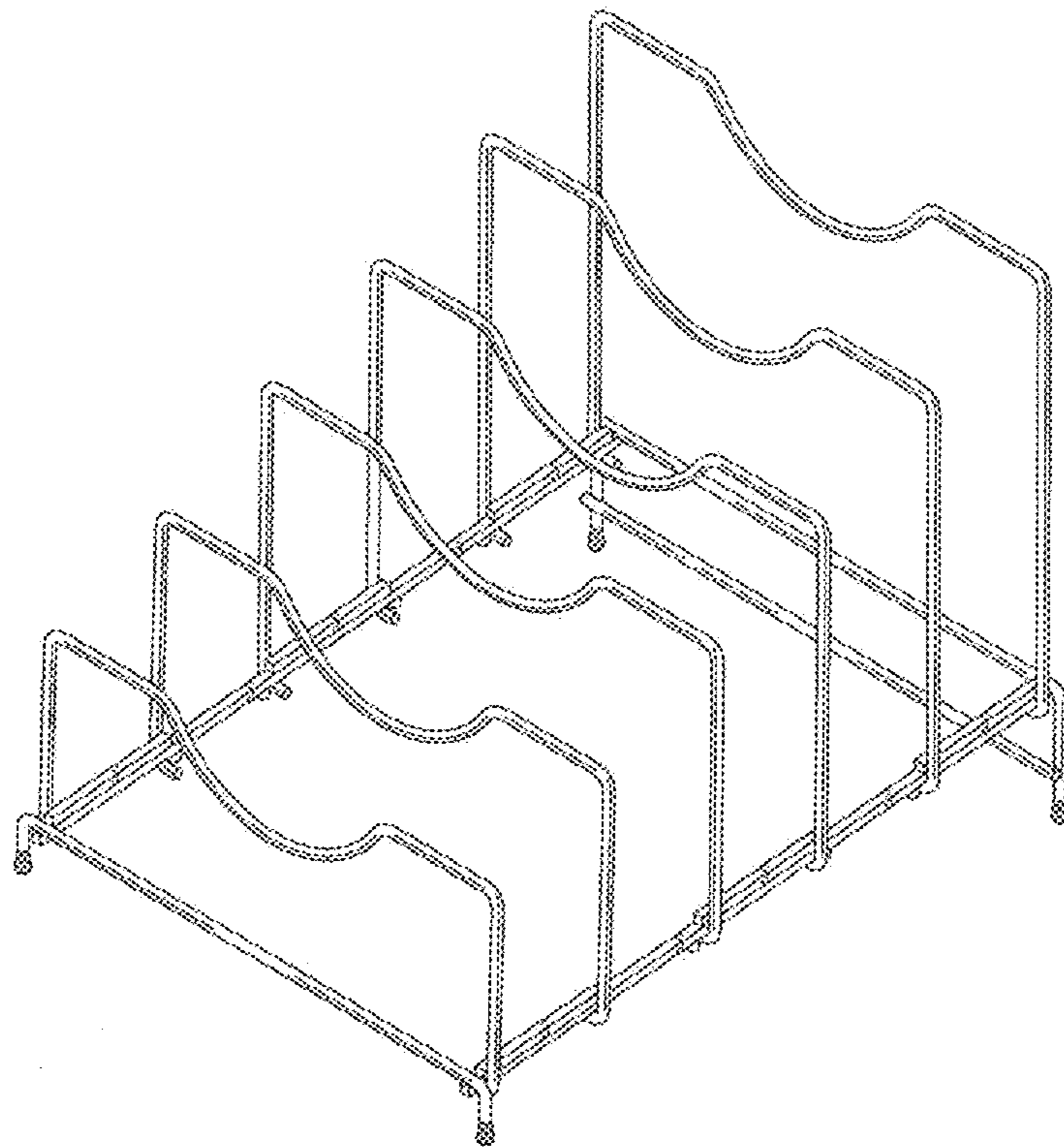


FIG. 1

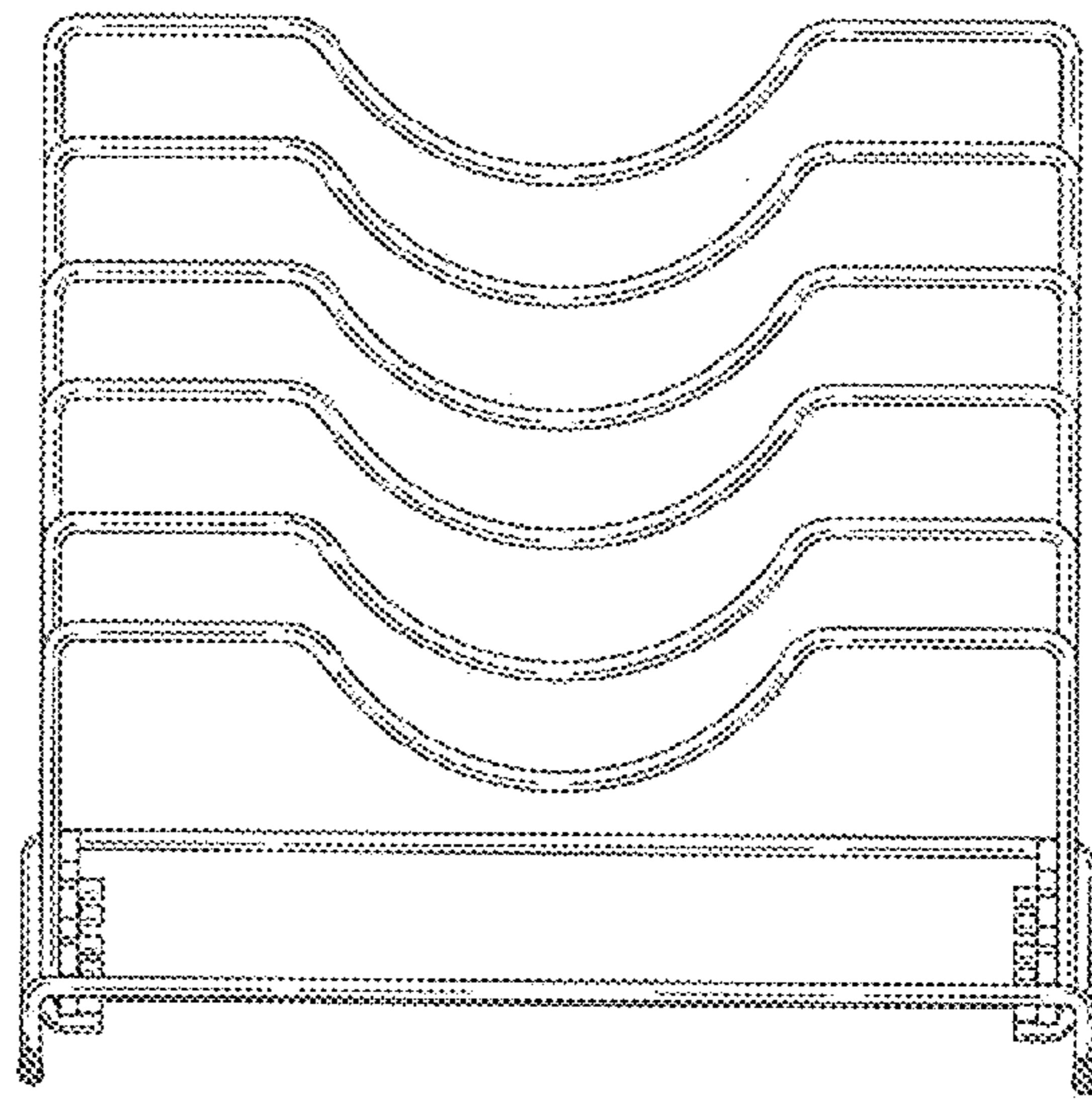


FIG. 2

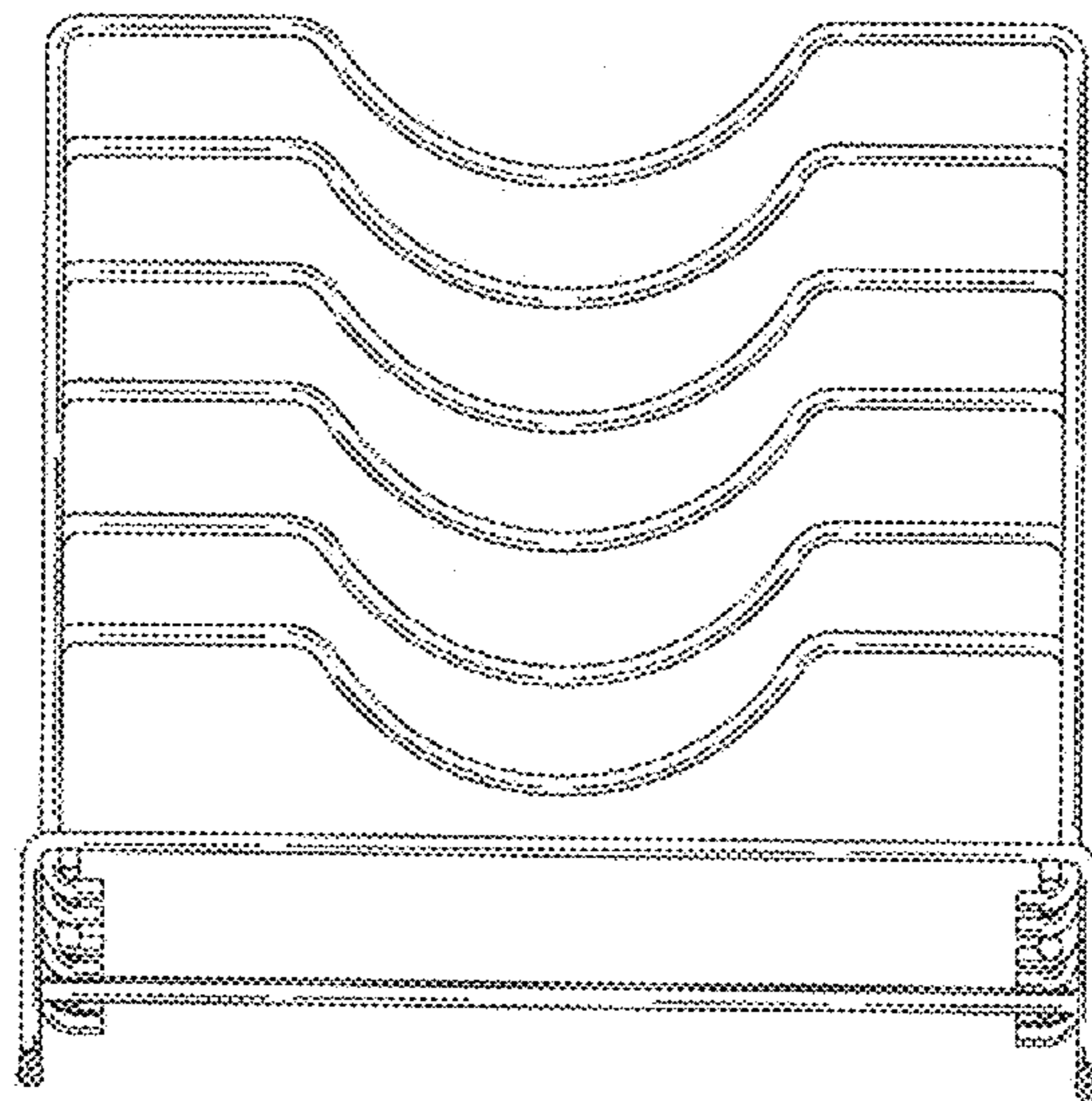


FIG. 3

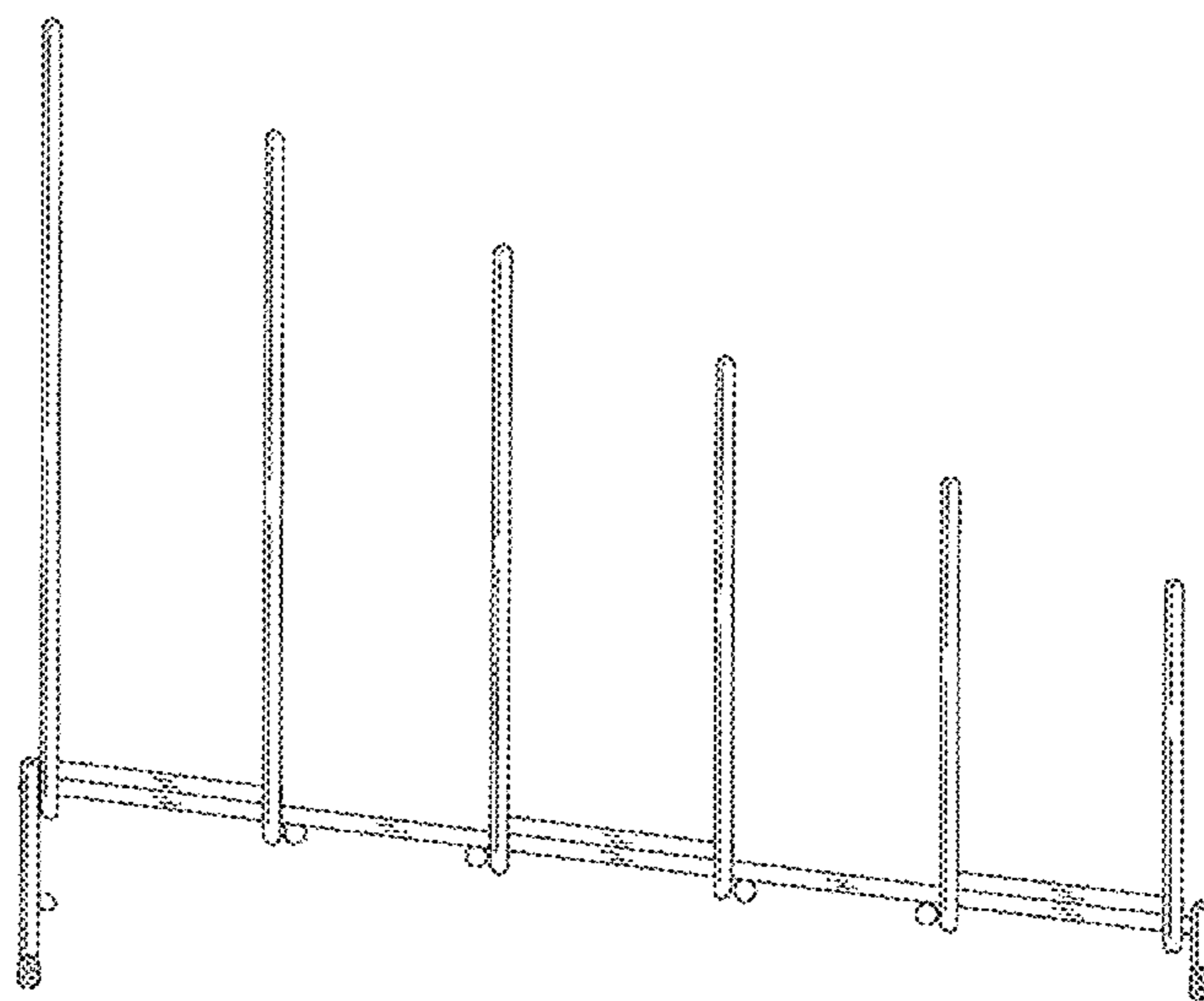


FIG. 4

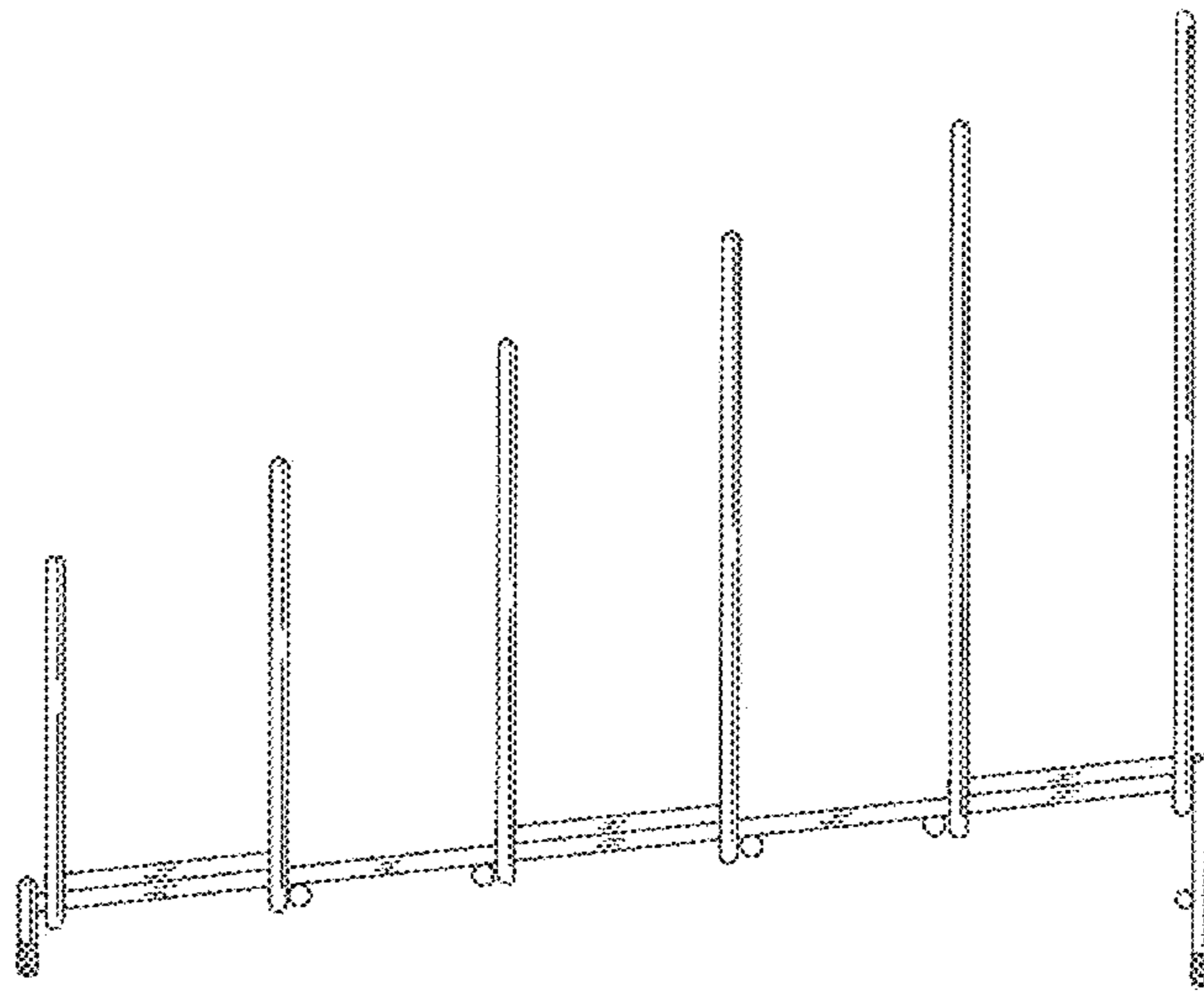


FIG. 5

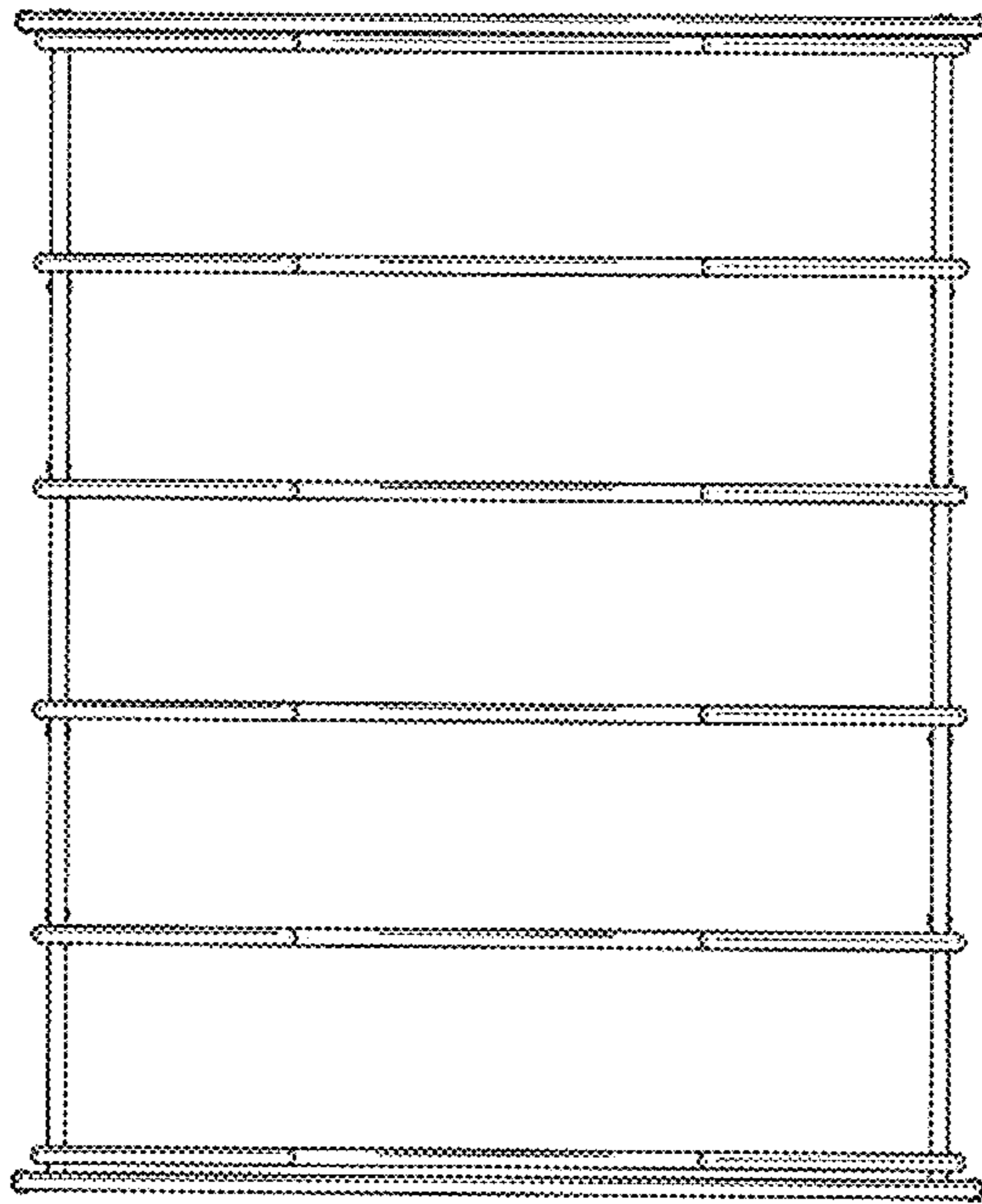


FIG. 6

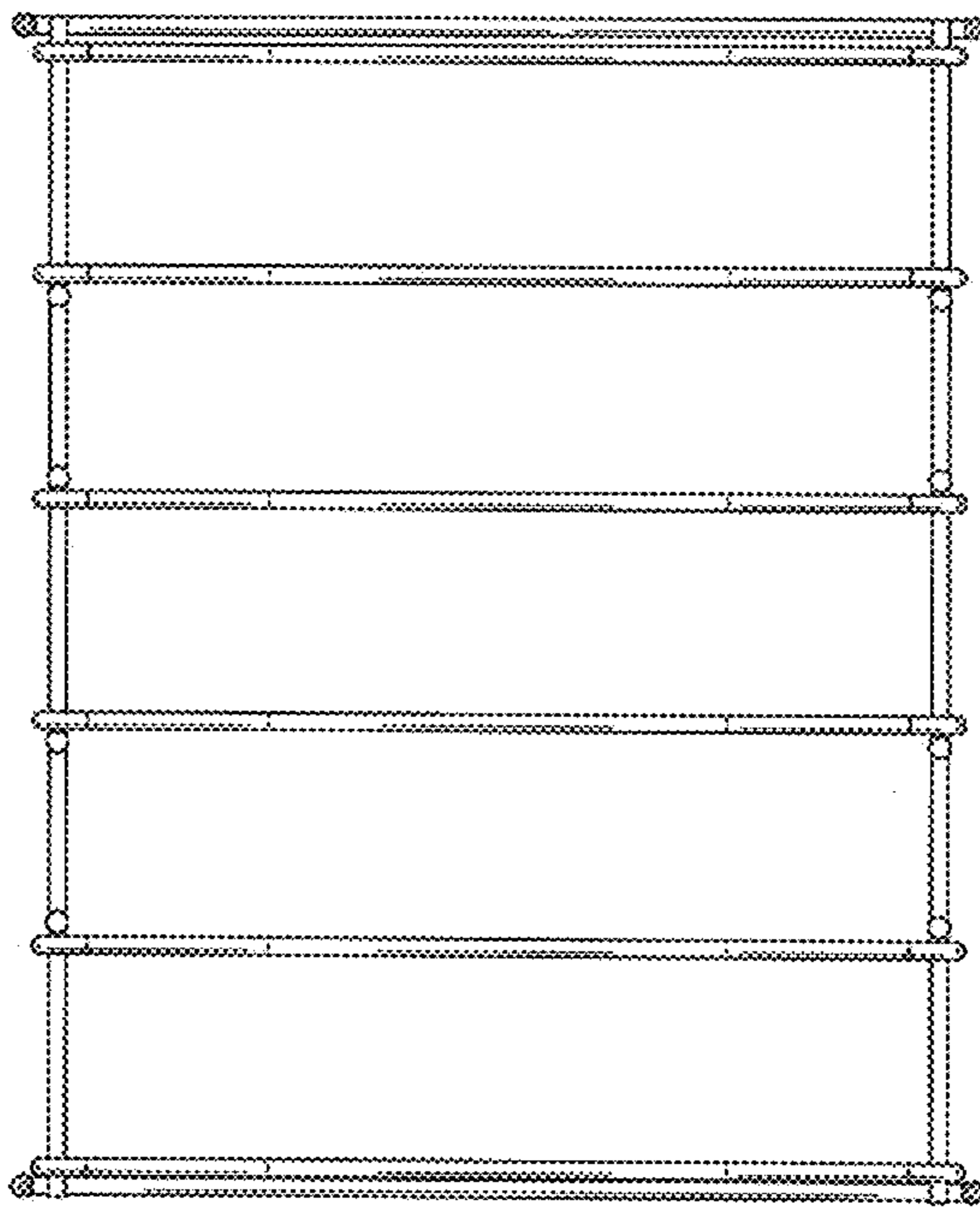


FIG. 7