



US00D717370S

(12) **United States Design Patent**  
**Hammer**

(10) **Patent No.:** **US D717,370 S**

(45) **Date of Patent:** **\*\* Nov. 11, 2014**

(54) **BOOK END**

(75) Inventor: **Allison Michelle Hammer**, Chicago, IL  
(US)

(73) Assignee: **Liberty Hardware Mfg. Corp.**,  
Winston-Salem, NC (US)

(\*\*) Term: **14 Years**

(21) Appl. No.: **29/422,156**

(22) Filed: **May 17, 2012**

(51) **LOC (10) Cl.** ..... **06-06**

(52) **U.S. Cl.**  
USPC ..... **D19/34.1**

(58) **Field of Classification Search**  
USPC ..... D19/34.1, 34.2, 34.3, 100, 65, 75;  
D8/300, 301, 307, 321, 322, 305, 400;  
211/42, 43, 183; 248/444.1, 445, 694;  
D6/512, 513; 281/45, 51  
See application file for complete search history.

(56) **References Cited**

**U.S. PATENT DOCUMENTS**

D187,796 S \* 5/1960 Vuici ..... D6/431  
D362,017 S \* 9/1995 McConnell ..... D19/34.3

D399,876 S \* 10/1998 Westman ..... D19/91  
D502,082 S \* 2/2005 Denoual ..... D8/301  
D510,695 S \* 10/2005 Roberts, III ..... D8/301  
D532,820 S \* 11/2006 Smith ..... D19/34.3  
D540,859 S \* 4/2007 Weiler ..... D19/34.1  
D592,484 S \* 5/2009 Ricereto ..... D8/310  
2007/0075027 A1 \* 4/2007 Yeh ..... 211/42

\* cited by examiner

*Primary Examiner* — Deanna L Pratt

*Assistant Examiner* — Ieisha Price

(74) *Attorney, Agent, or Firm* — Lora J. Graentzdoerffer

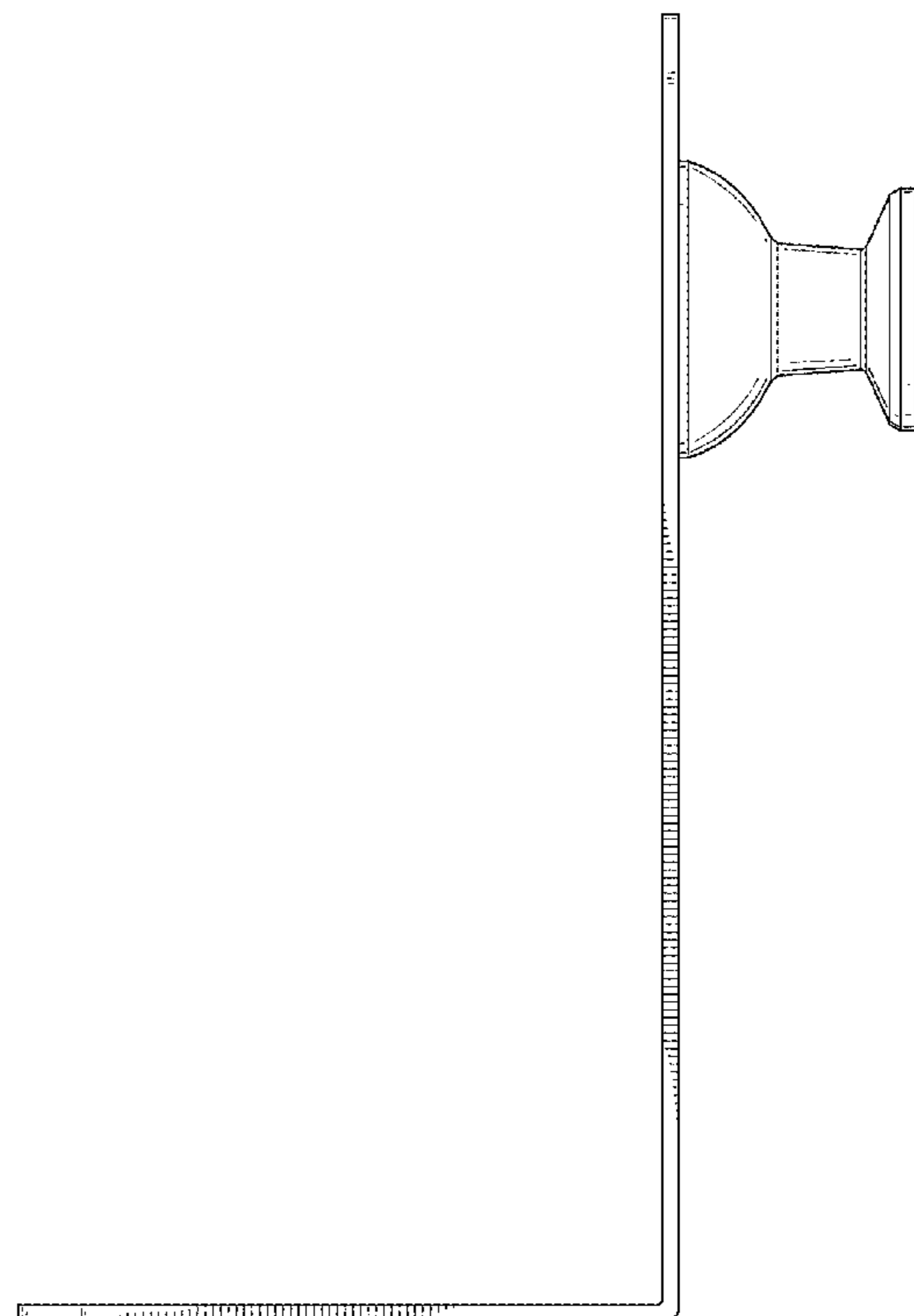
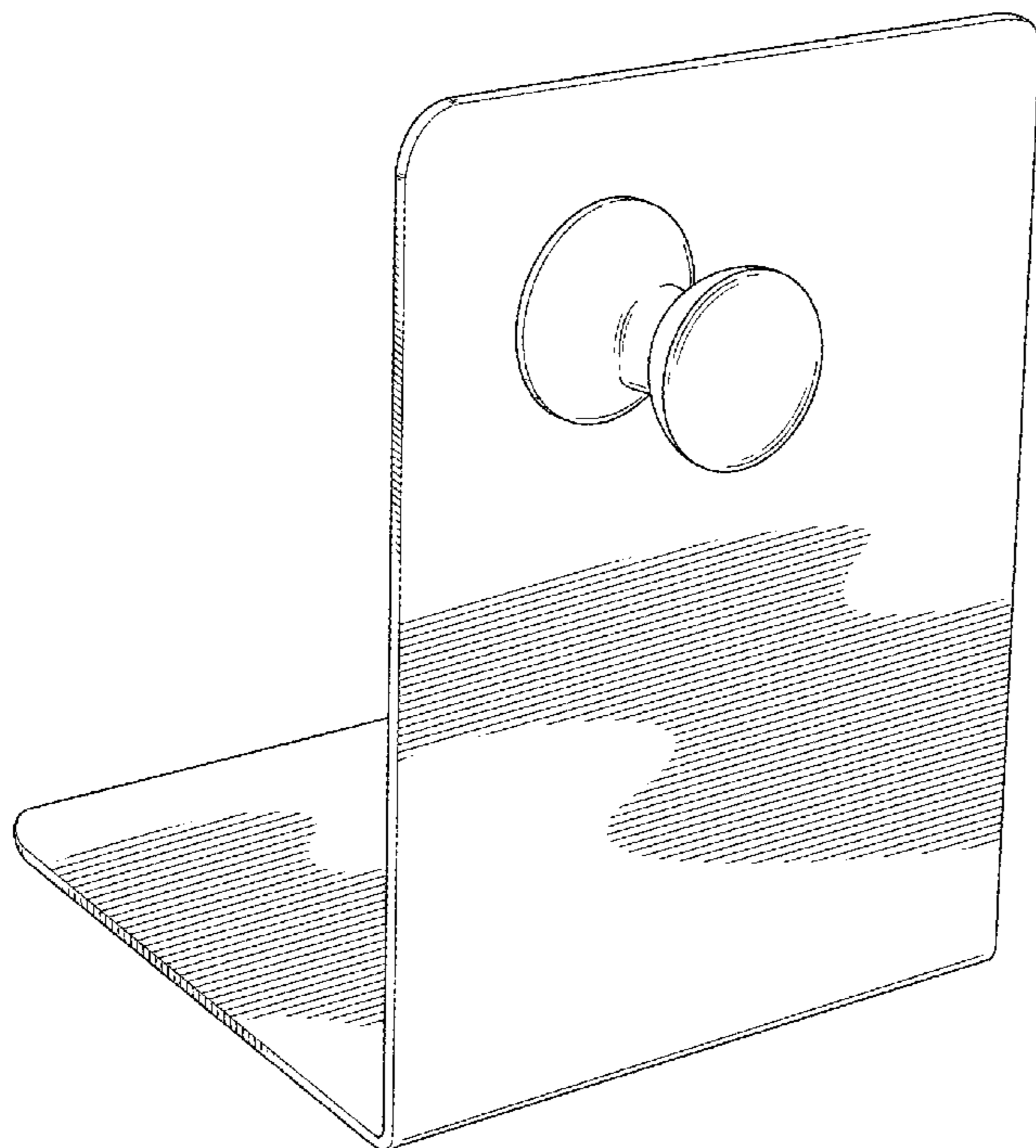
(57) **CLAIM**

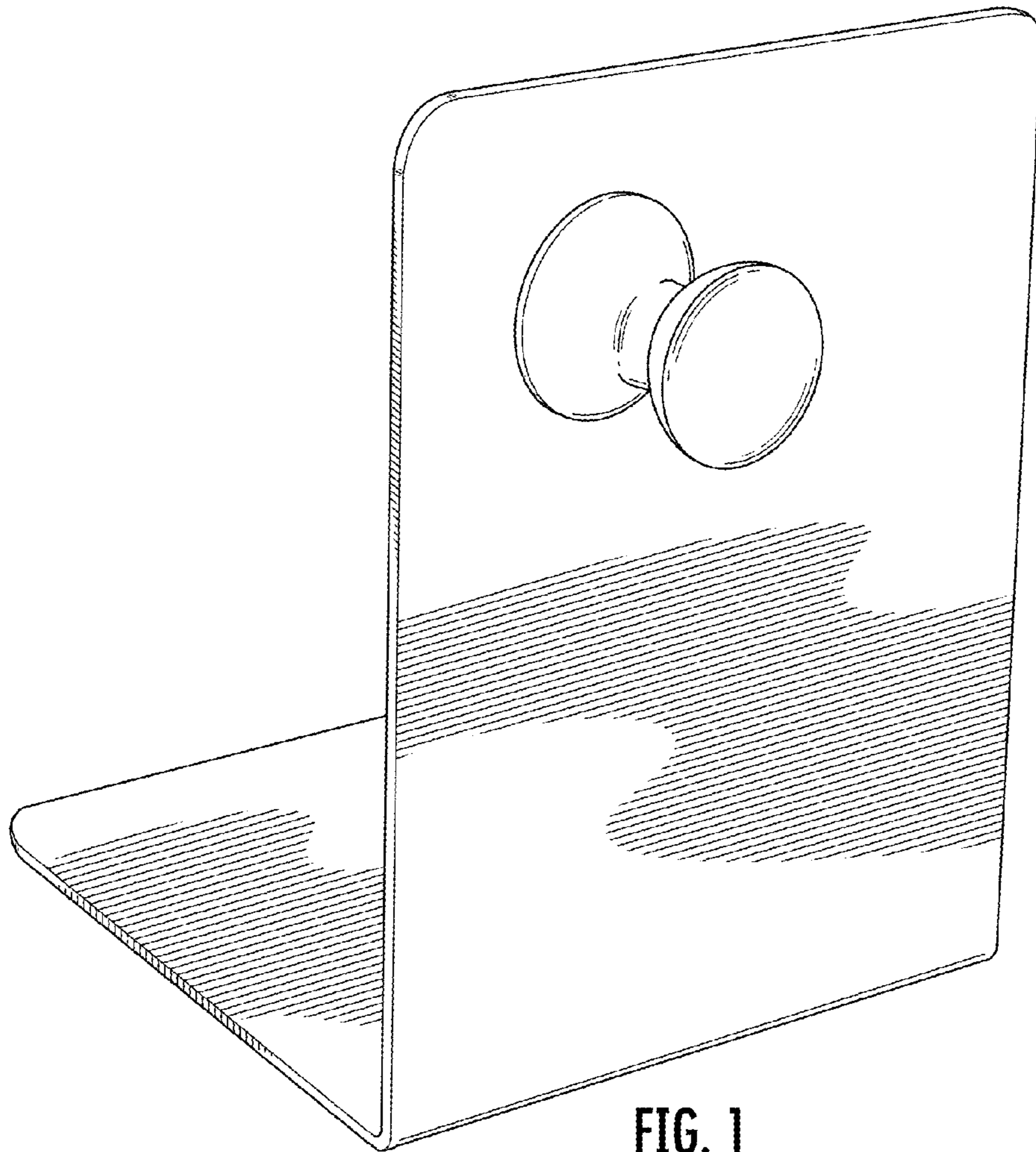
The ornamental design for a book end, as shown and described.

**DESCRIPTION**

FIG. 1 is a perspective view thereof;  
FIG. 2 is a right side elevational view thereof;  
FIG. 3 is a left side elevational view thereof;  
FIG. 4 is a top plan view thereof;  
FIG. 5 is a bottom plan view thereof;  
FIG. 6 is a rear elevational view thereof; and,  
FIG. 7 is a front side elevational view thereof.

**1 Claim, 7 Drawing Sheets**





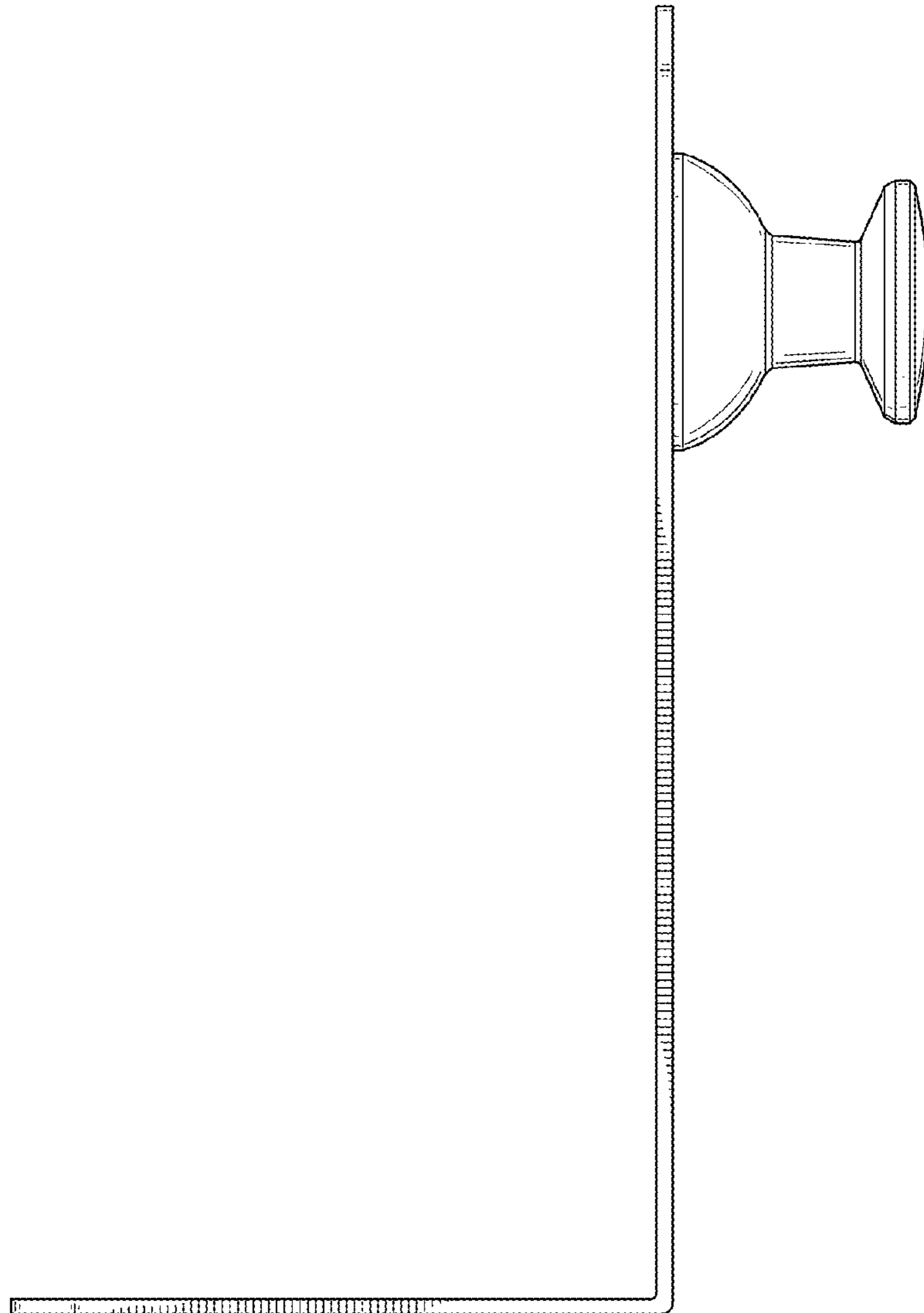


FIG. 2

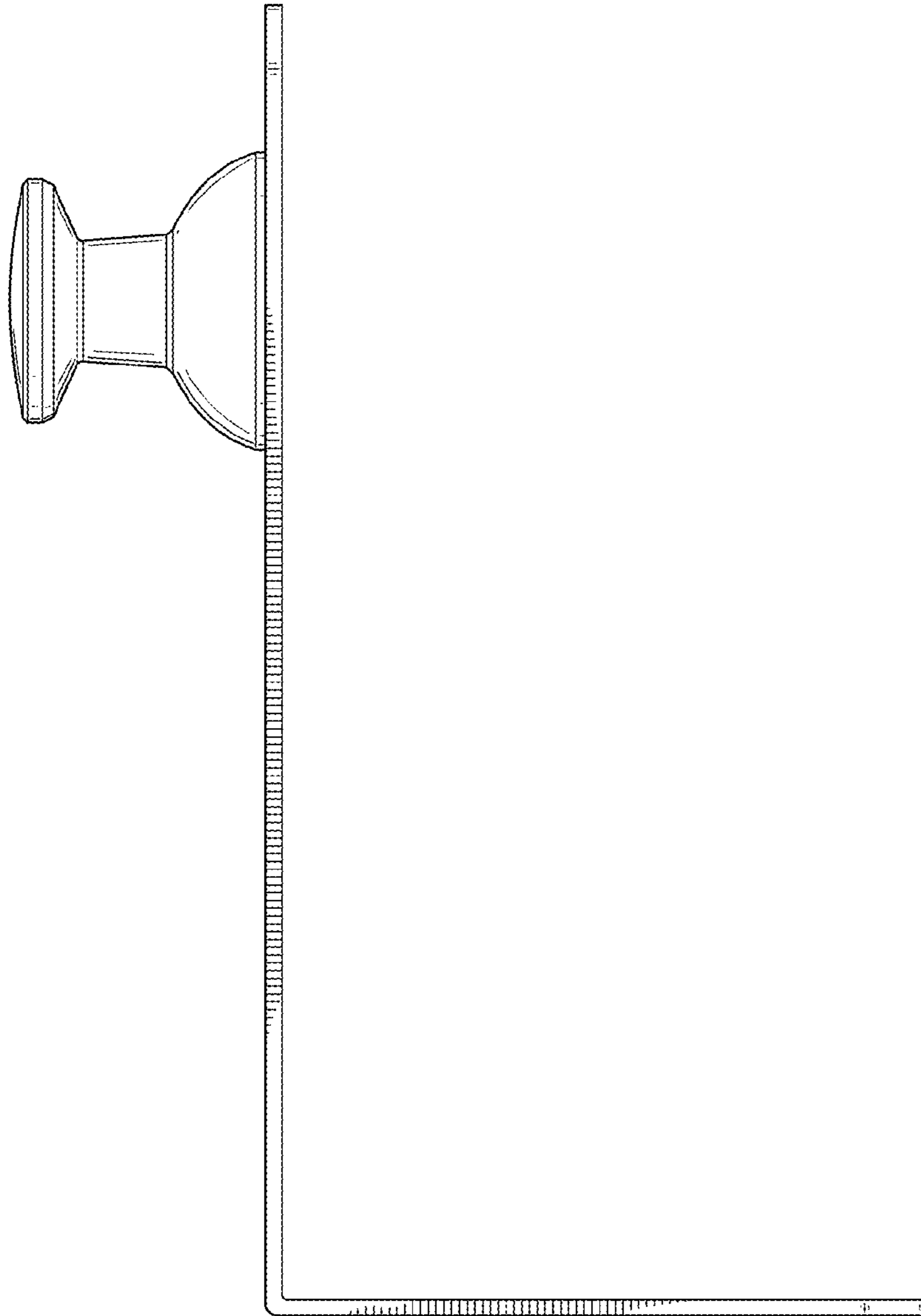


FIG. 3

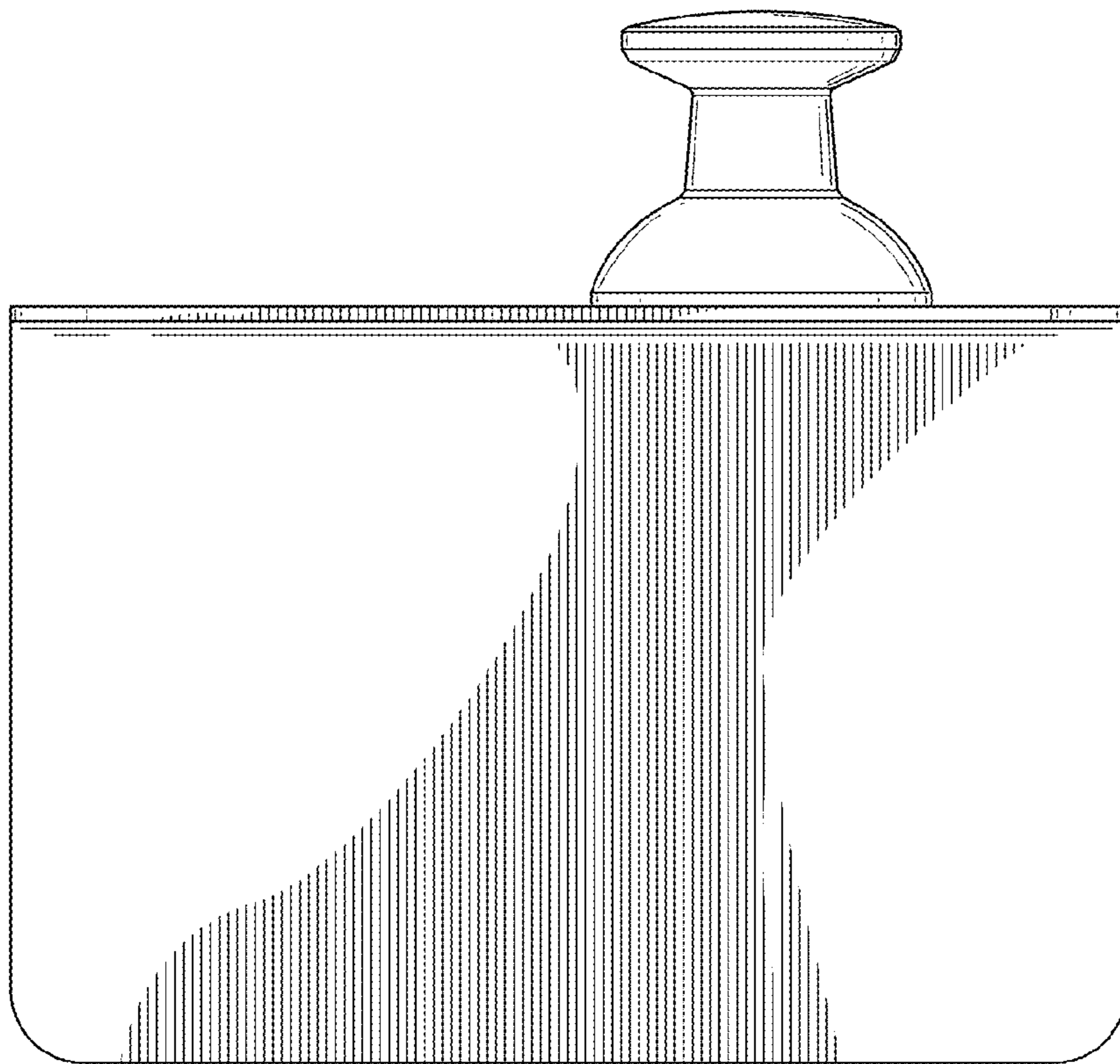


FIG. 4

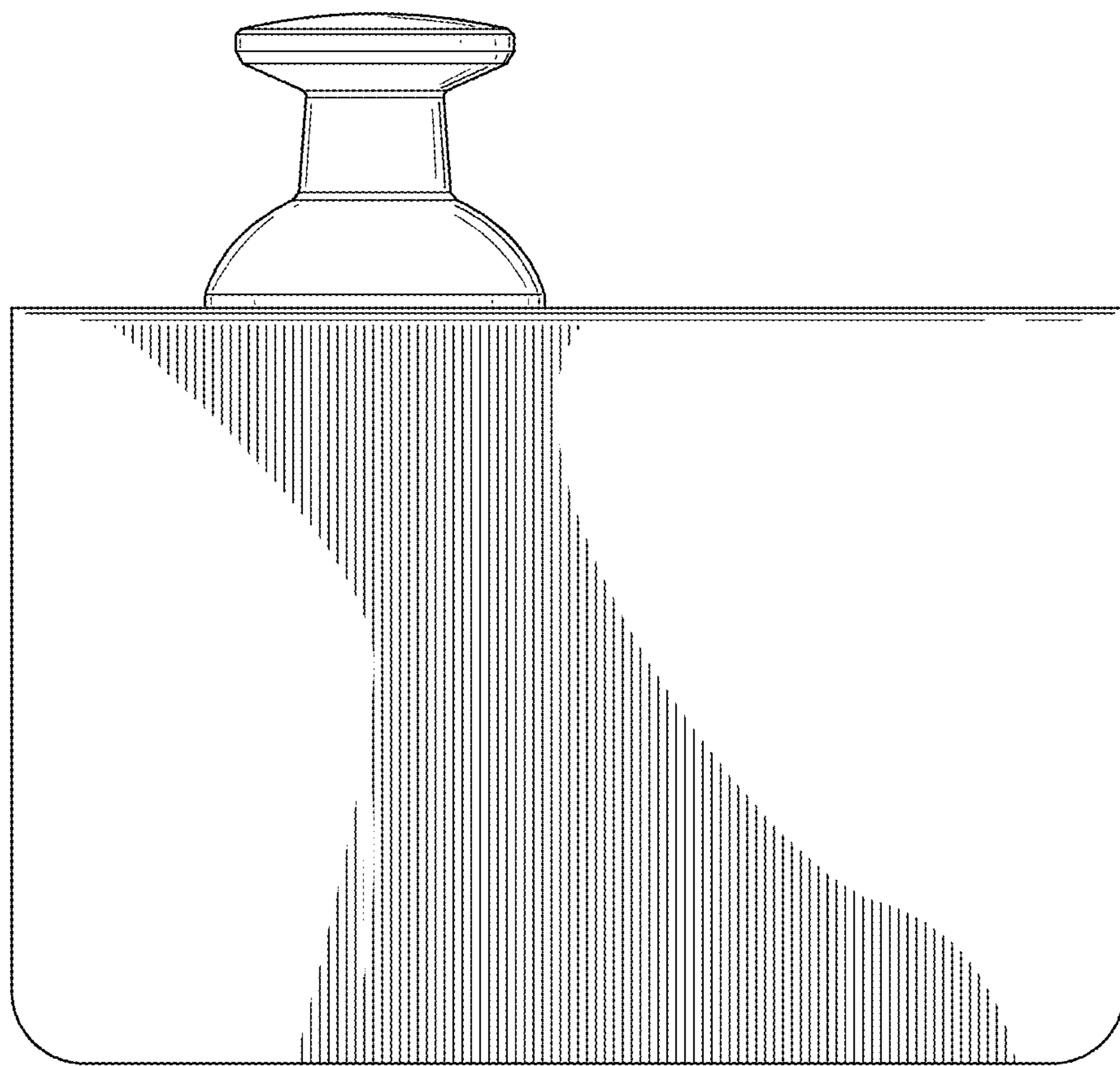


FIG. 5

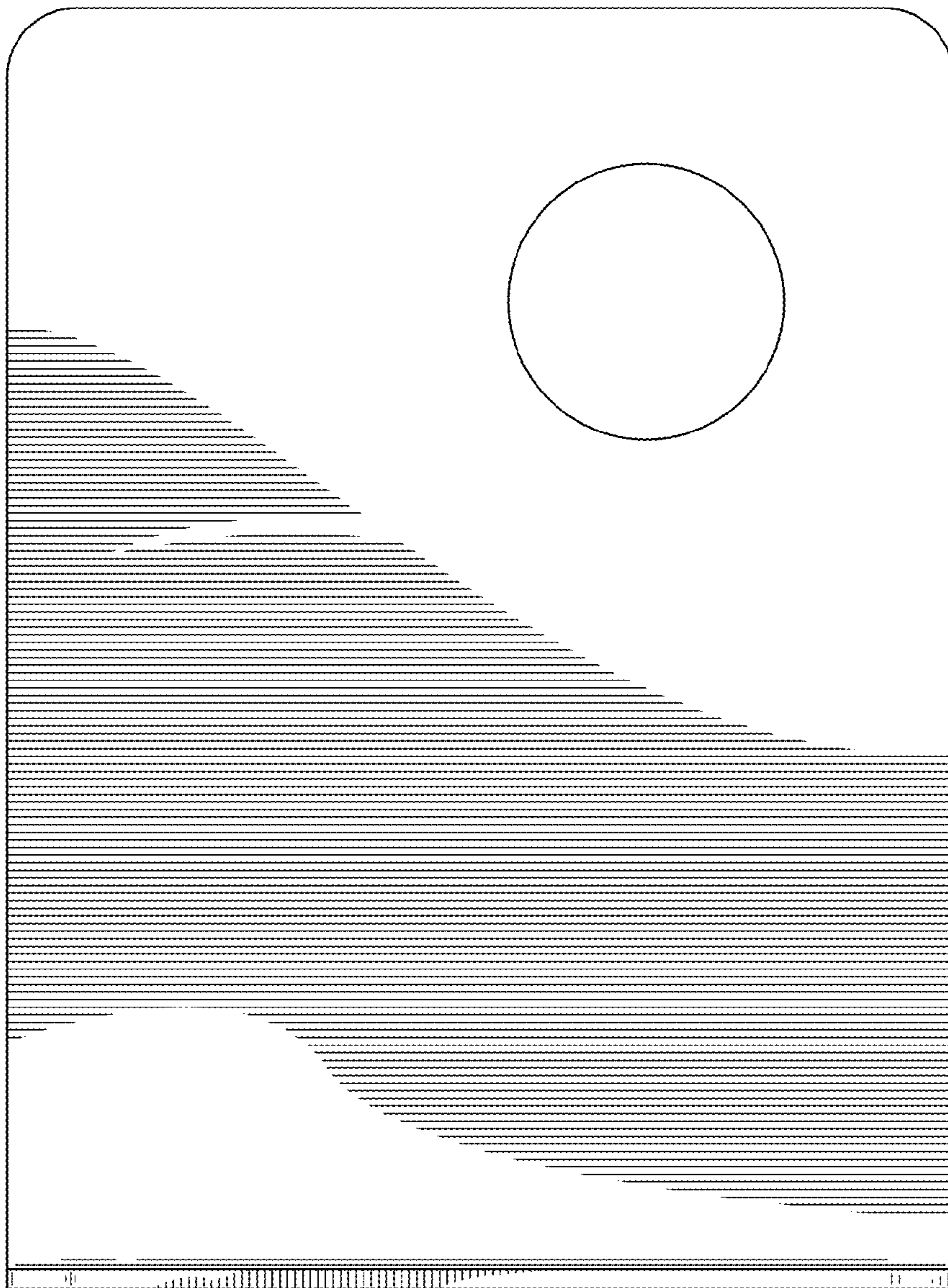


FIG. 6

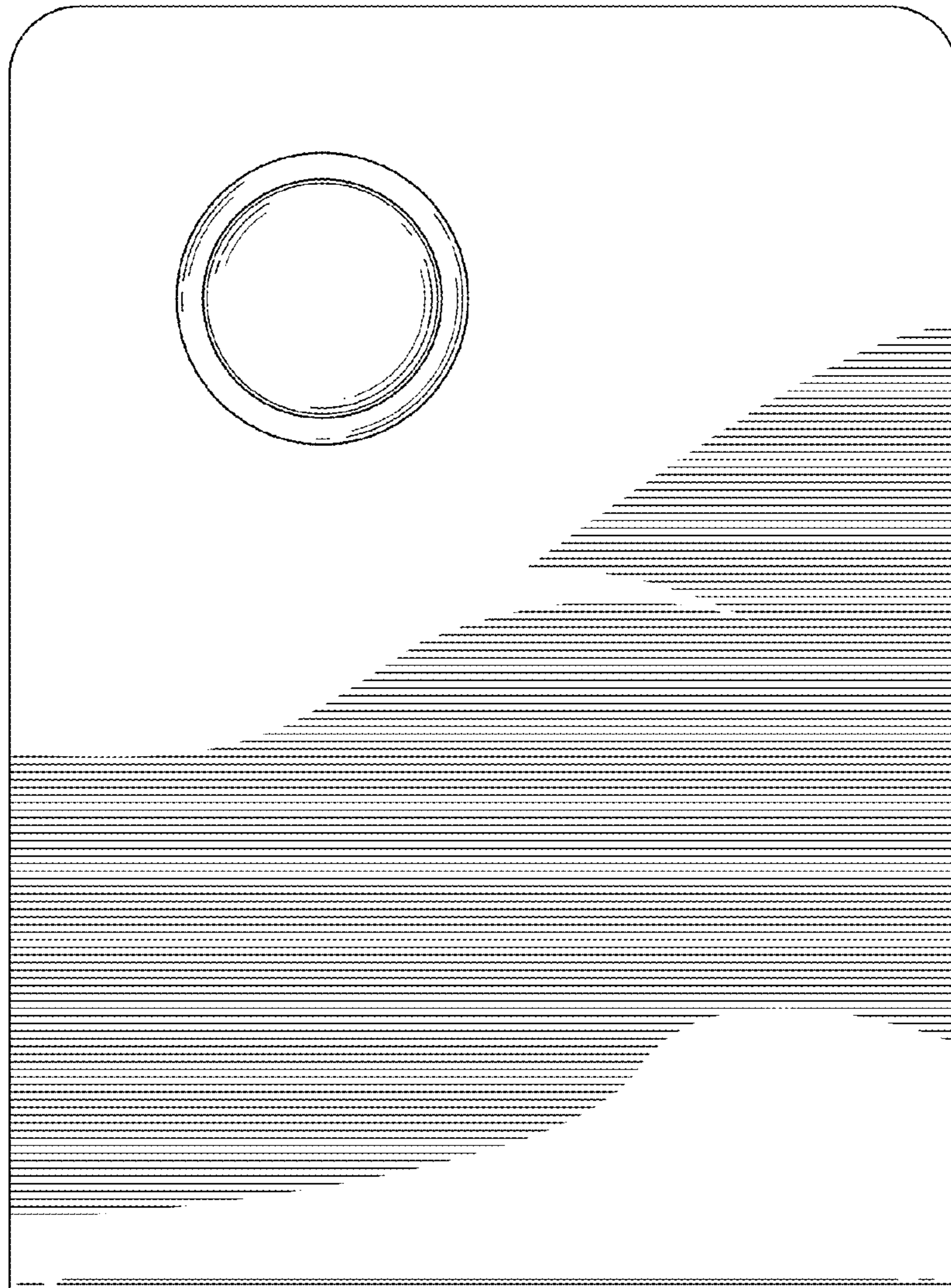


FIG. 7