



US00D717369S

(12) **United States Design Patent**
Sato

(10) **Patent No.:** **US D717,369 S**
(45) **Date of Patent:** **** Nov. 11, 2014**

(54) **TONER CARTRIDGE**

(75) Inventor: **Tsutomu Sato**, Izunokuni (JP)

(73) Assignee: **Toshiba Tec Kabushiki Kaisha**,
Shinagawa-ku, Tokyo (JP)

(**) Term: **14 Years**

(21) Appl. No.: **29/432,220**

(22) Filed: **Sep. 14, 2012**

(30) **Foreign Application Priority Data**

Mar. 16, 2012 (JP) 2012-006007

(51) **LOC (10) Cl.** **16-03**

(52) **U.S. Cl.**
USPC **D18/43**

(58) **Field of Classification Search**
CPC G03G 15/0832; G03G 21/12; G03G
15/0834; G03G 21/10; G03G 2215/0665
USPC D18/12, 36, 40, 43, 44, 56; D14/471;
347/49, 50, 197, 222; 399/11, 106,
399/119, 120, 230, 258; 222/DIG. 1
See application file for complete search history.

(56) **References Cited**

U.S. PATENT DOCUMENTS

D451,538 S * 12/2001 Schwamkrug et al. D18/40
D502,730 S * 3/2005 Miyagawa D18/40
D525,289 S * 7/2006 Murata D18/43
D559,894 S * 1/2008 Sato D18/43

D559,895 S * 1/2008 Sato D18/43
D559,896 S * 1/2008 Sato D18/43
D585,484 S * 1/2009 Tanaka D18/43
D590,438 S * 4/2009 Tanaka D18/43
D604,358 S * 11/2009 Kinoshita et al. D18/43
D655,332 S * 3/2012 Fujii D18/43
D679,750 S * 4/2013 Fujii D18/43

* cited by examiner

Primary Examiner — Thomas Johannes

Assistant Examiner — Chelsea Sealey

(74) *Attorney, Agent, or Firm* — Ohlandt, Greeley, Ruggiero
& Perle, L.L.P.

(57) **CLAIM**

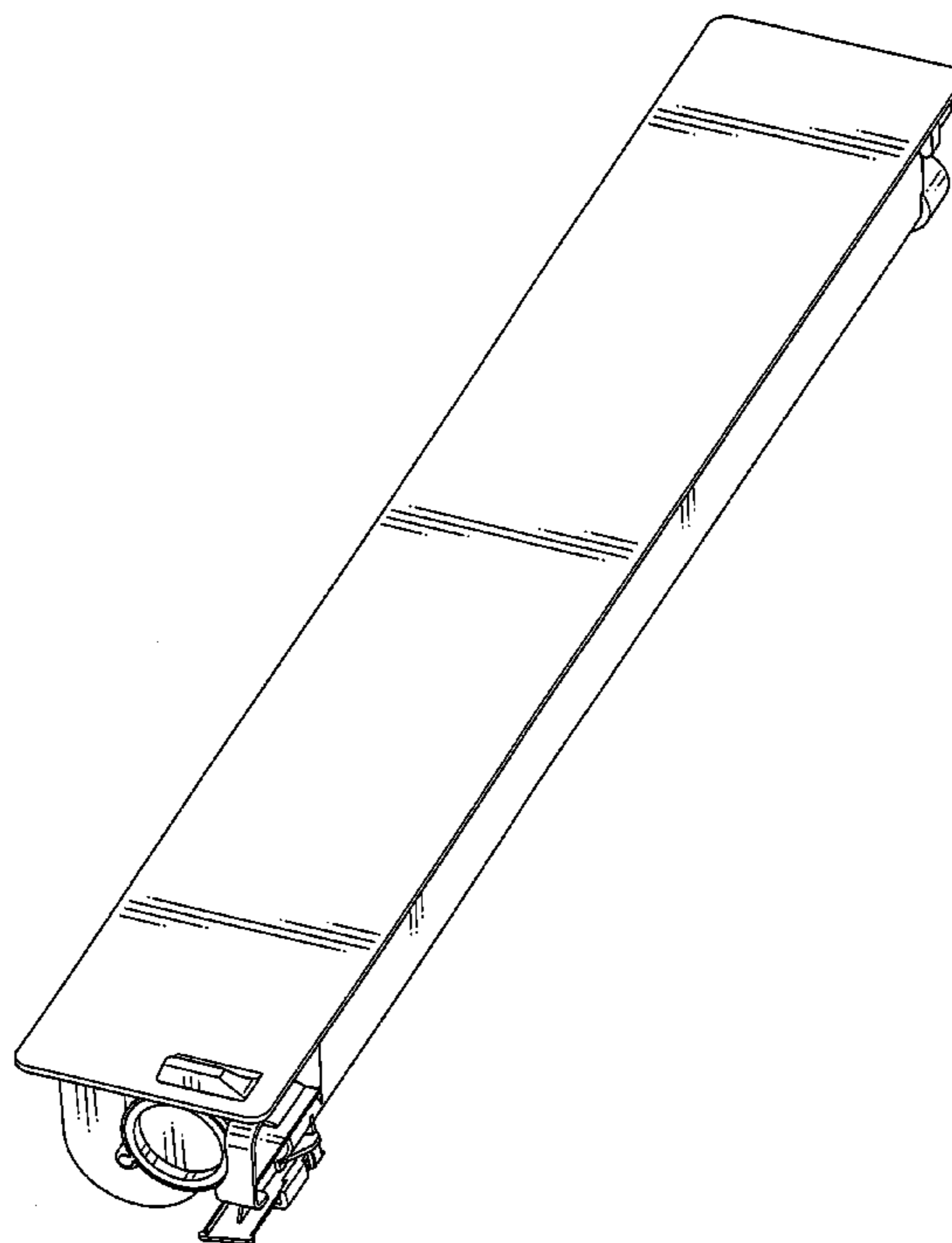
The ornamental design for a toner cartridge, as shown and described.

DESCRIPTION

FIG. 1 is a front, top and left side perspective view of a toner cartridge, showing my new design;
FIG. 2 is a front, top and right side perspective view thereof;
FIG. 3 is a rear, top and right side perspective view thereof;
FIG. 4 is a rear, top and left side perspective view thereof;
FIG. 5 is a front elevation view thereof;
FIG. 6 is a rear elevation view thereof;
FIG. 7 is a top plan view thereof;
FIG. 8 is a bottom plan view thereof;
FIG. 9 is a right side elevation view thereof; and,
FIG. 10 is a left side elevation view thereof.

The broken lines illustrate portions of the article that form no part of the claimed design.

1 Claim, 7 Drawing Sheets



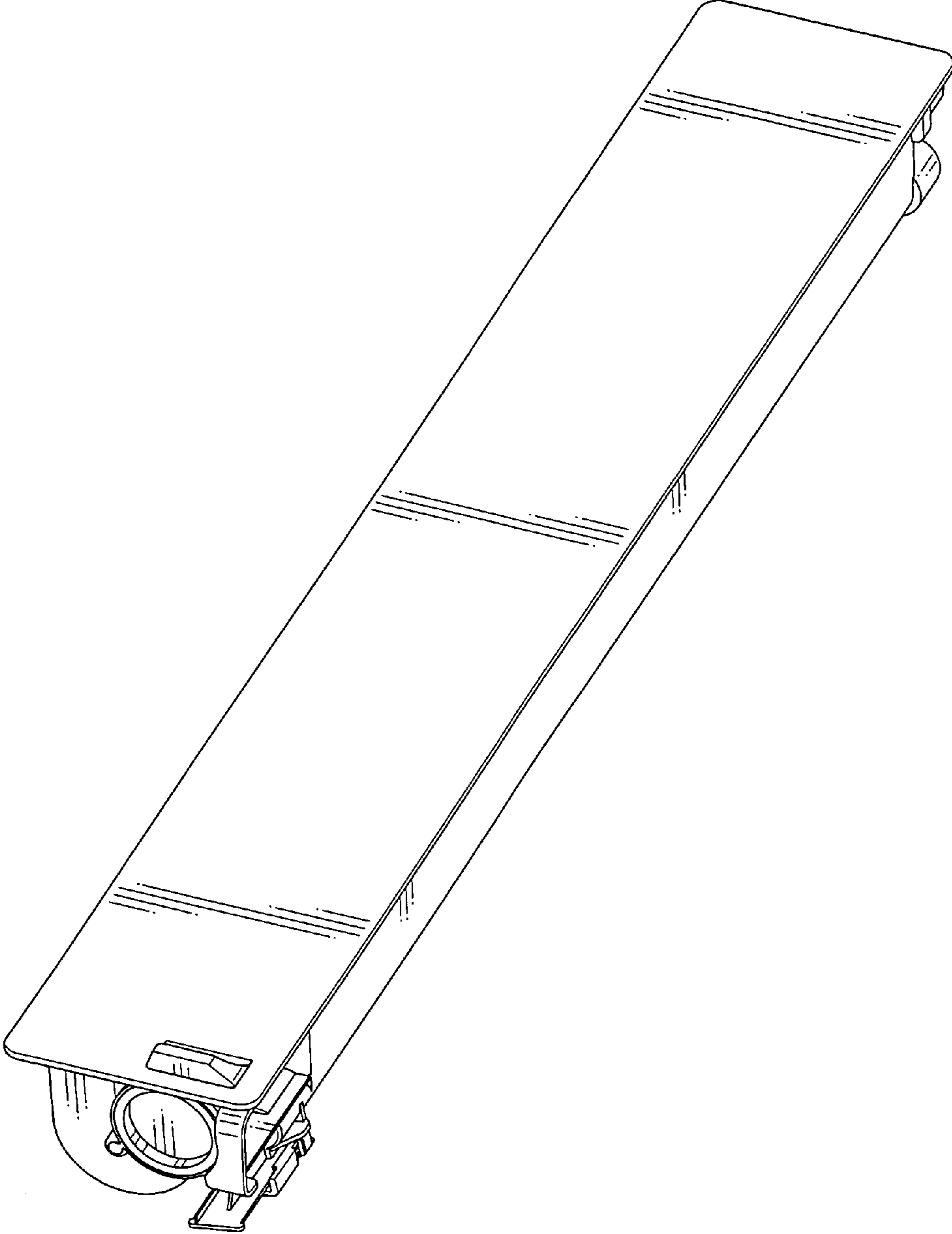


FIG. 1

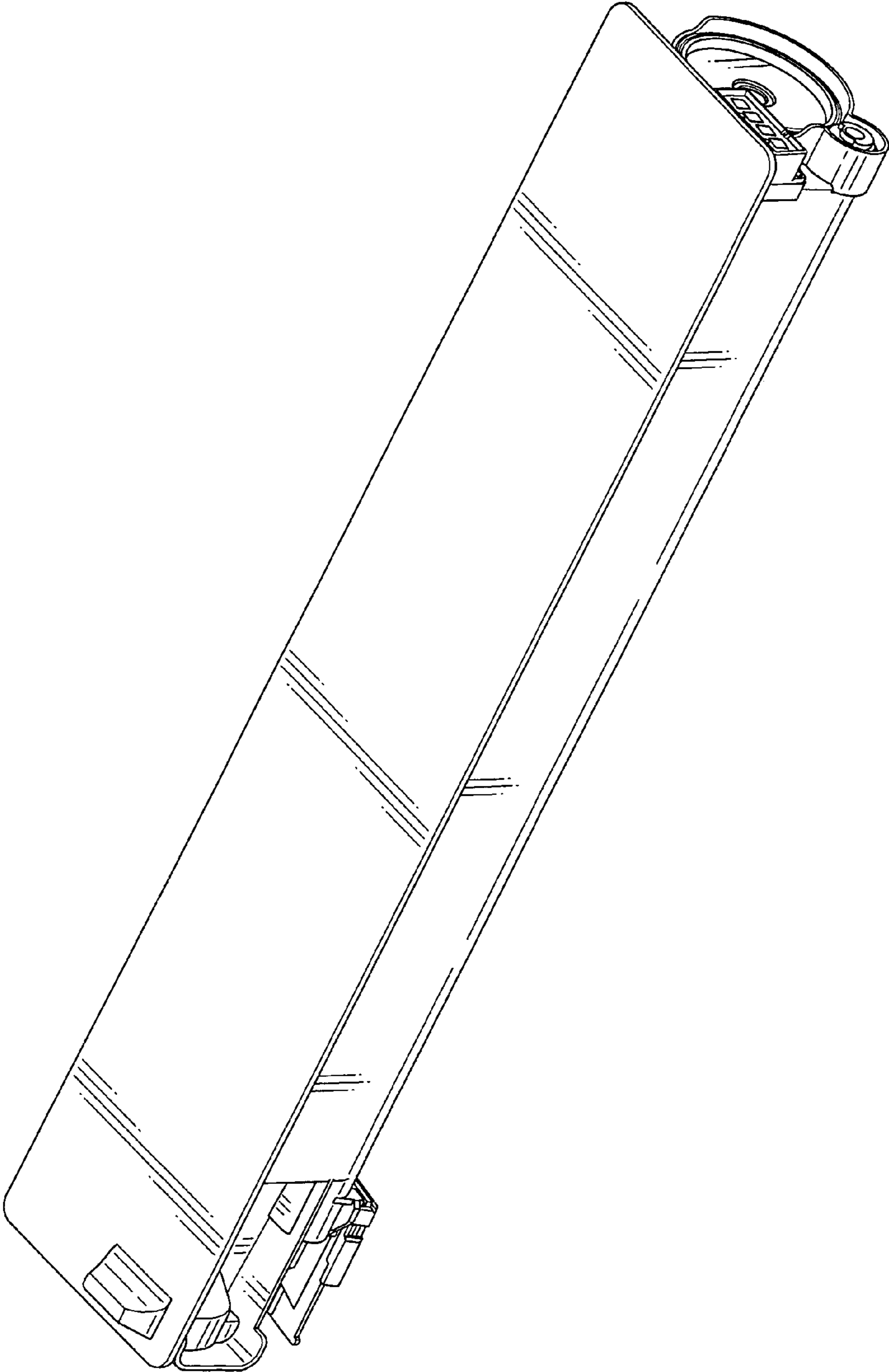


FIG. 2

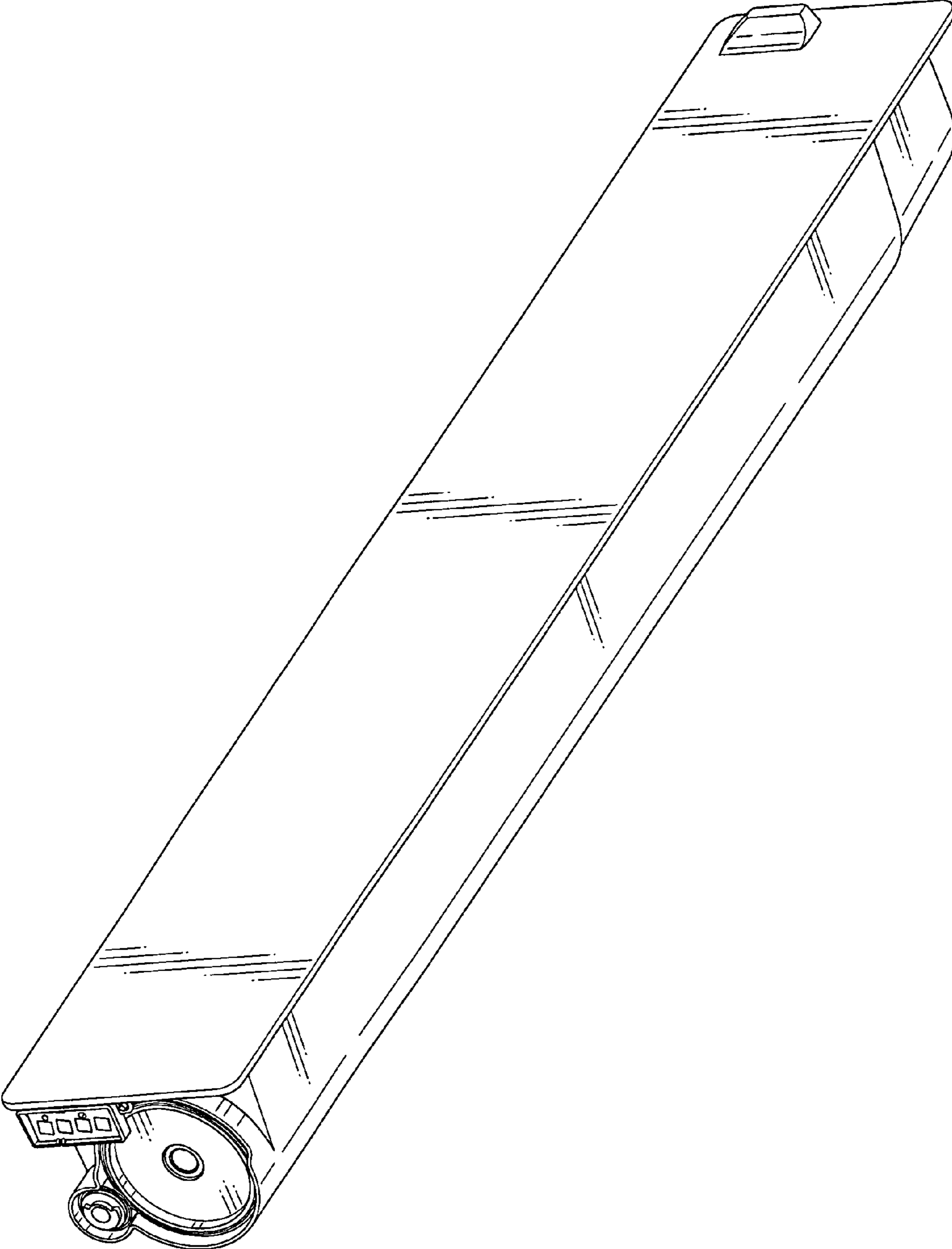


FIG. 3

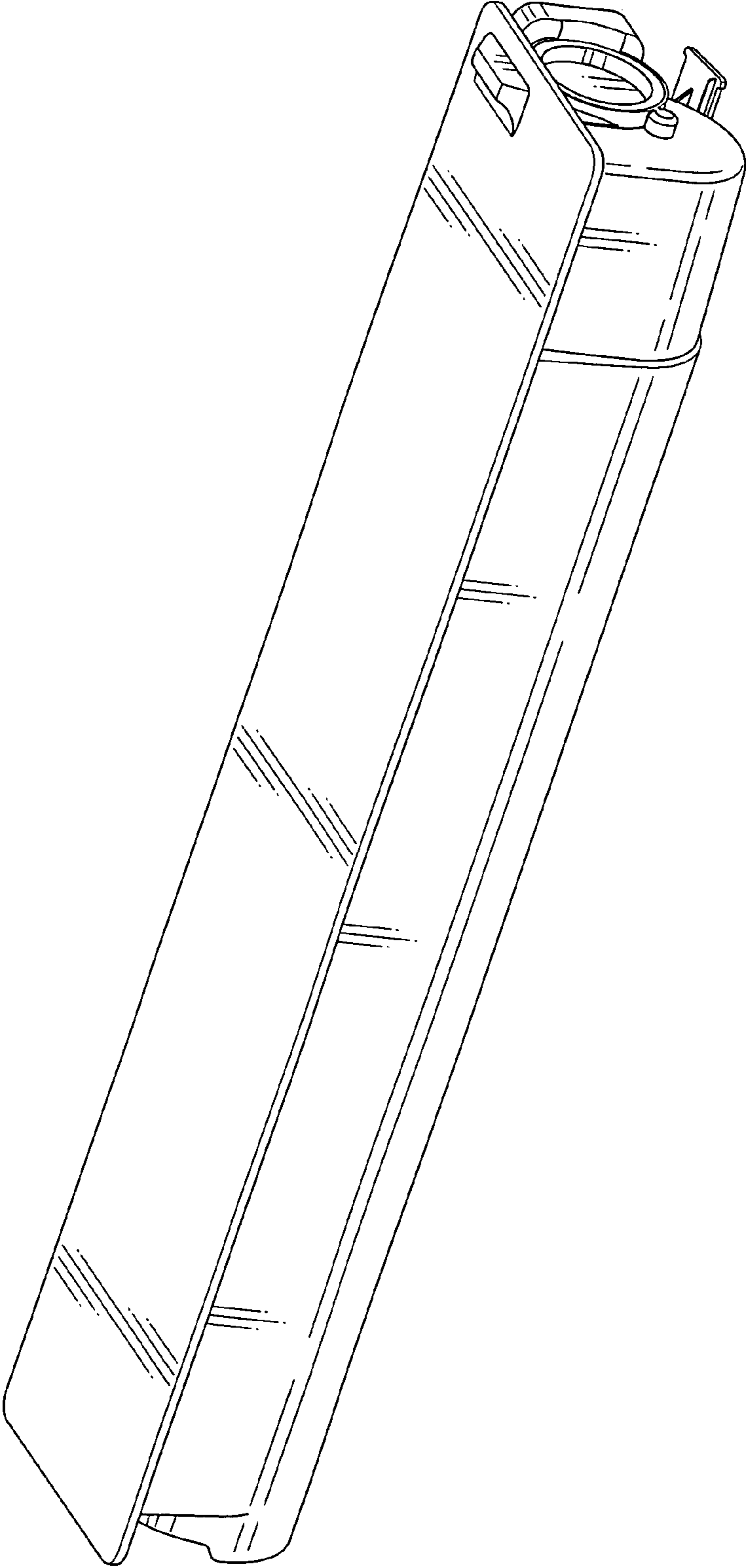


FIG. 4

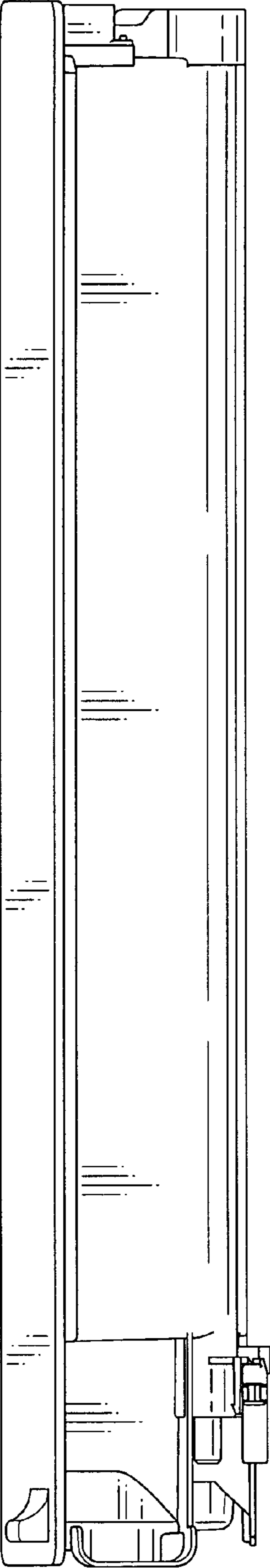


FIG. 5

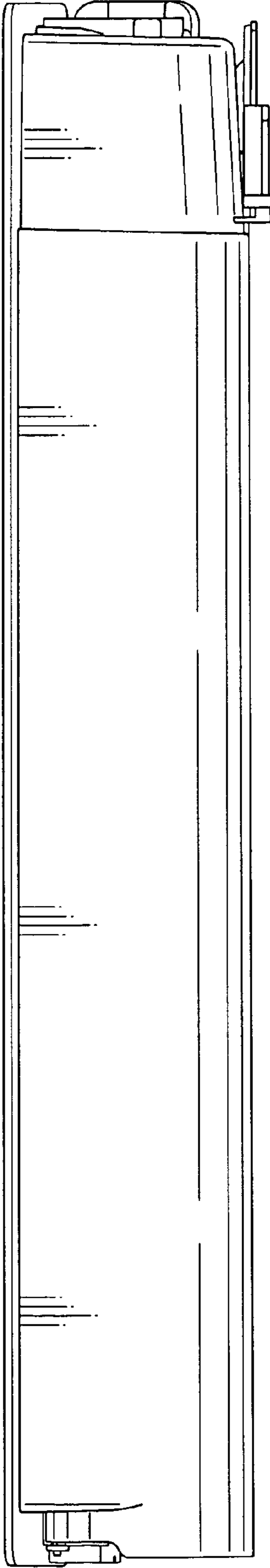


FIG. 6

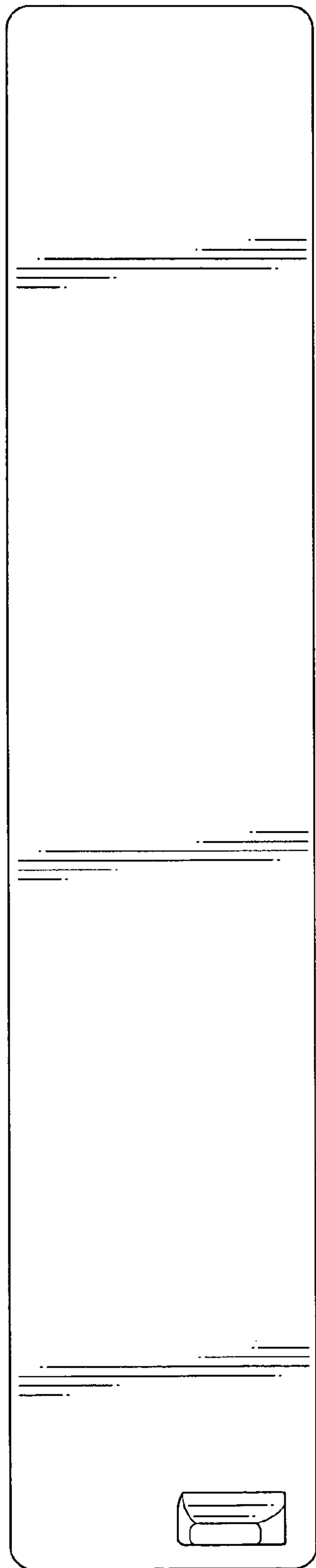


FIG. 7

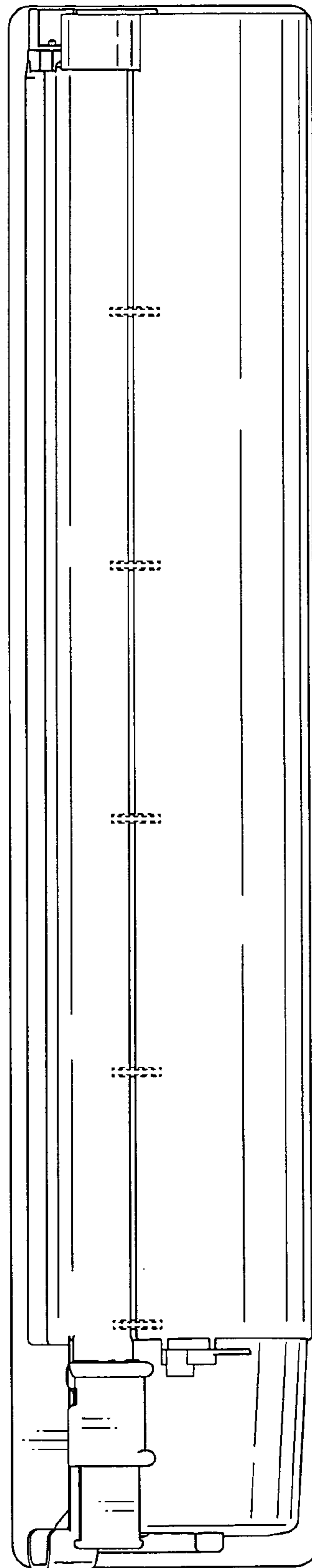


FIG. 8

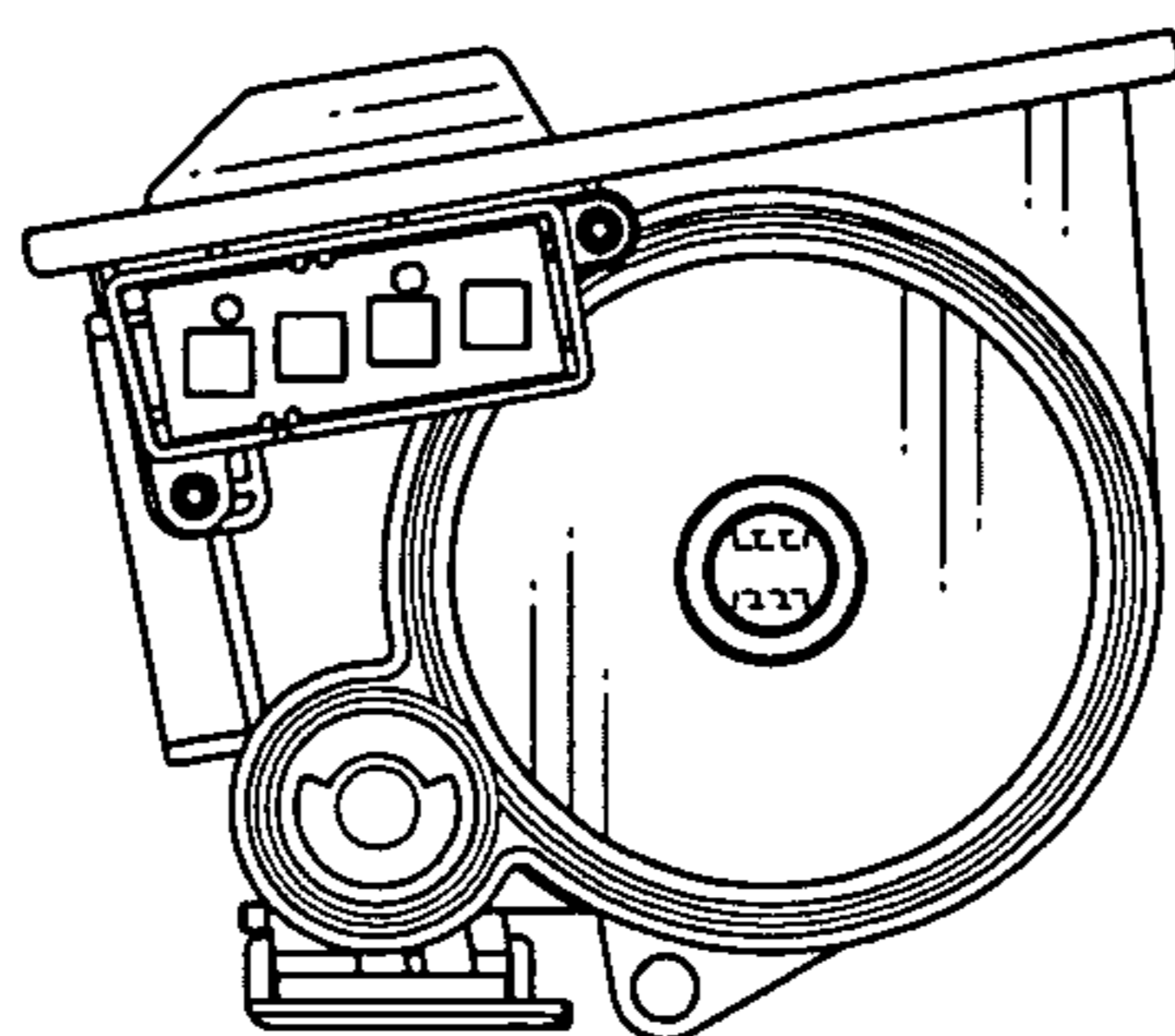


FIG. 9

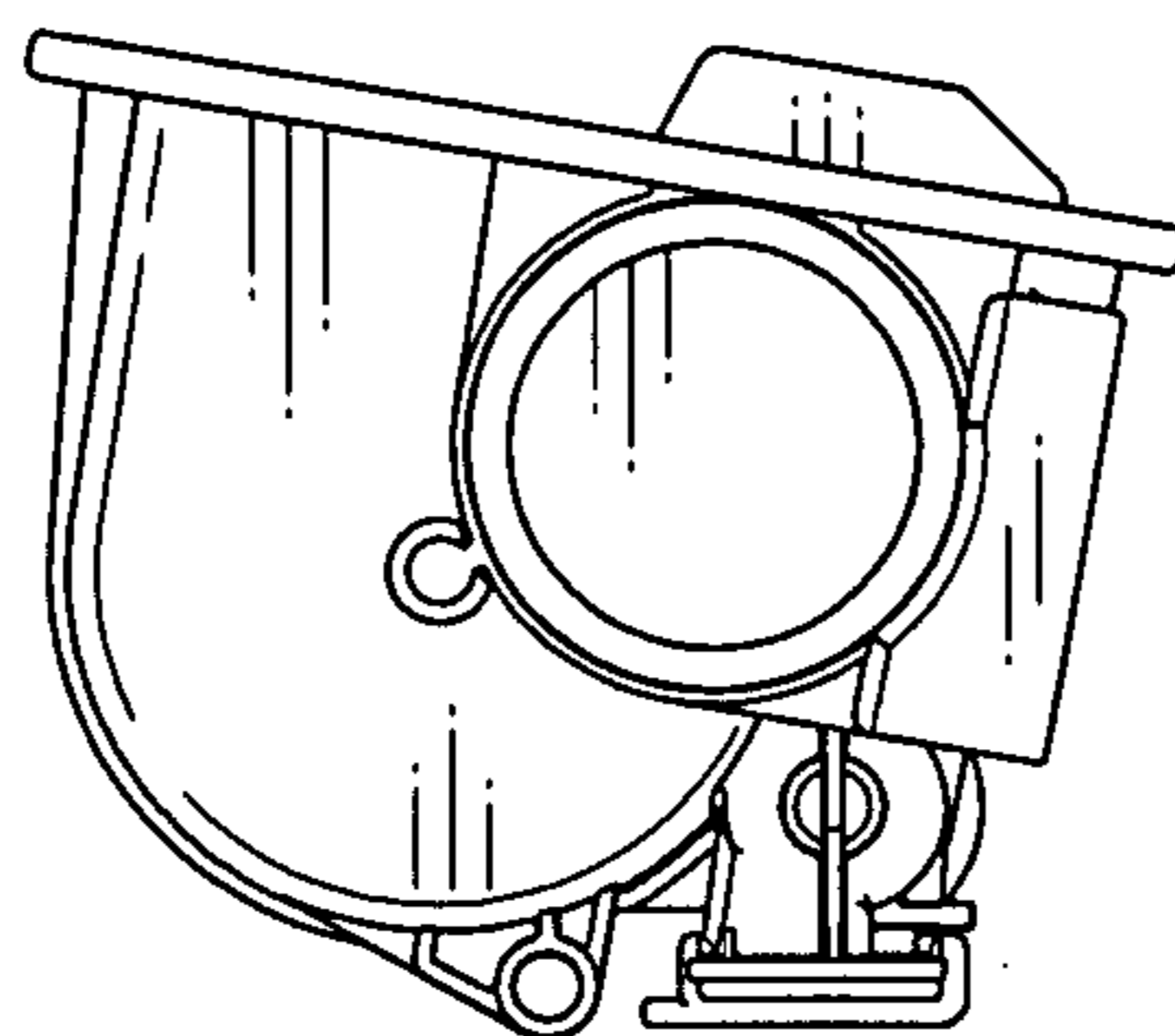


FIG. 10