



US00D717368S

(12) **United States Design Patent**
Rivers

(10) **Patent No.:** **US D717,368 S**

(45) **Date of Patent:** **** Nov. 11, 2014**

(54) **PLECTRUM HOLDER**

FOREIGN PATENT DOCUMENTS

(75) Inventor: **Andrew Rivers**, Southsea (GB)

GB 2091204 A * 7/1982 B65D 85/00
JP 2013080167 A * 5/2013

(73) Assignee: **Fretfunk Limited**, Portsmouth (GB)

* cited by examiner

(**) Term: **14 Years**

Primary Examiner — Rashida Johnson

(21) Appl. No.: **29/416,923**

(74) *Attorney, Agent, or Firm* — Sterne, Kessler, Goldstein & Fox P.L.L.C.

(22) Filed: **Mar. 28, 2012**

(51) **LOC (10) Cl.** **17-03**

(57) **CLAIM**

(52) **U.S. Cl.**

The ornamental design for a plectrum holder, as shown and described.

USPC **D17/20**

(58) **Field of Classification Search**

DESCRIPTION

USPC D17/20, 99; 84/320–322, 453
See application file for complete search history.

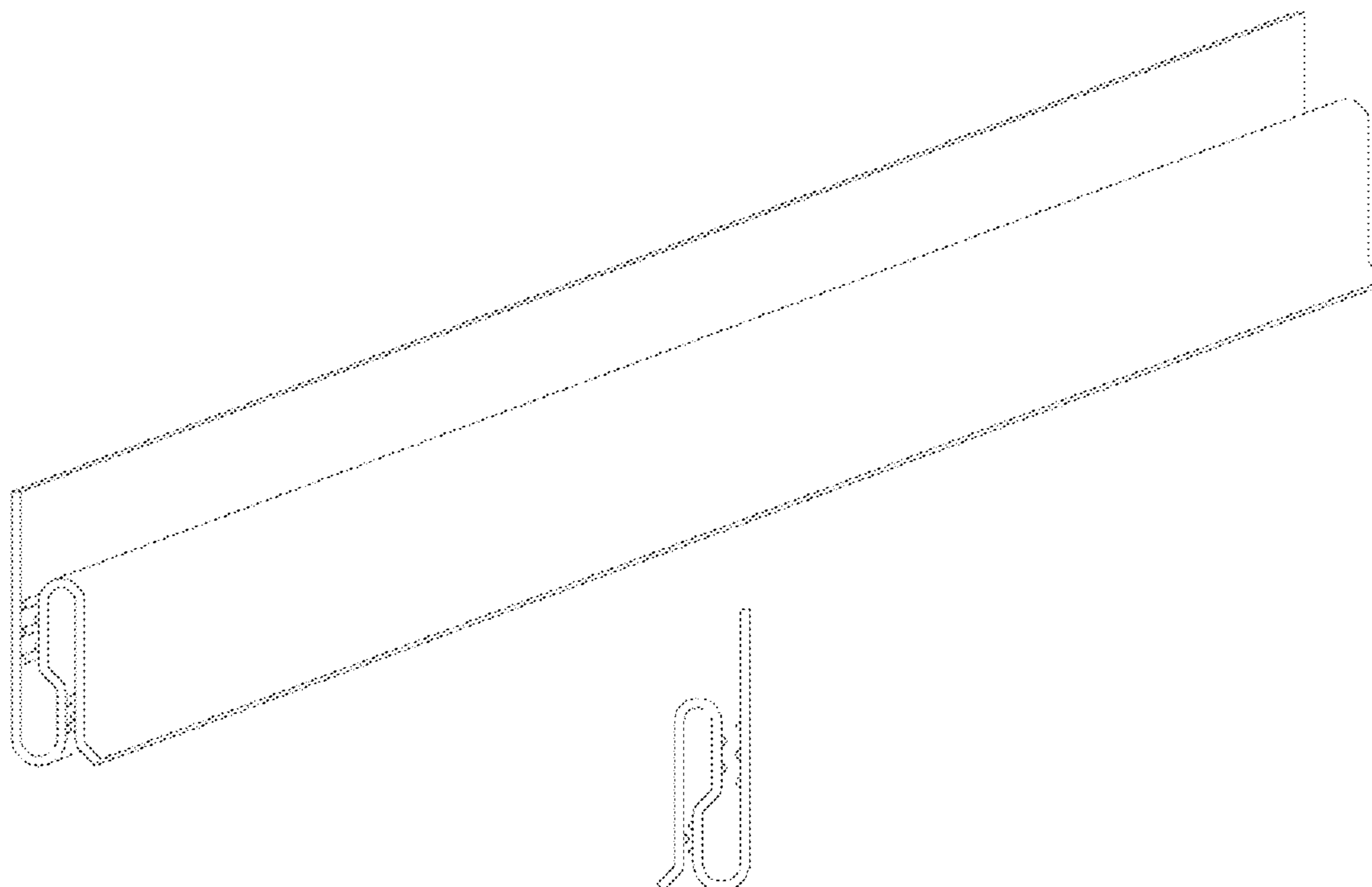
(56) **References Cited**

FIG. 1 is a front perspective view of a plectrum holder showing my new design;
FIG. 2 is front view thereof;
FIG. 3 is a rear view thereof;
FIG. 4 is a top plan view thereof;
FIG. 5 is a bottom plan view thereof;
FIG. 6 is a left side view thereof; and,
FIG. 7 is a right side view thereof.

U.S. PATENT DOCUMENTS

4,785,708	A *	11/1988	Vaughan	84/329
4,890,531	A *	1/1990	Tischer	84/329
D392,796	S *	3/1998	North	D3/204
6,140,564	A *	10/2000	Pia	84/453
6,315,698	B1 *	11/2001	Barber	482/93
D697,707	S *	1/2014	Surabian et al.	D3/204
2010/0083810	A1 *	4/2010	Tran et al.	84/322

1 Claim, 2 Drawing Sheets



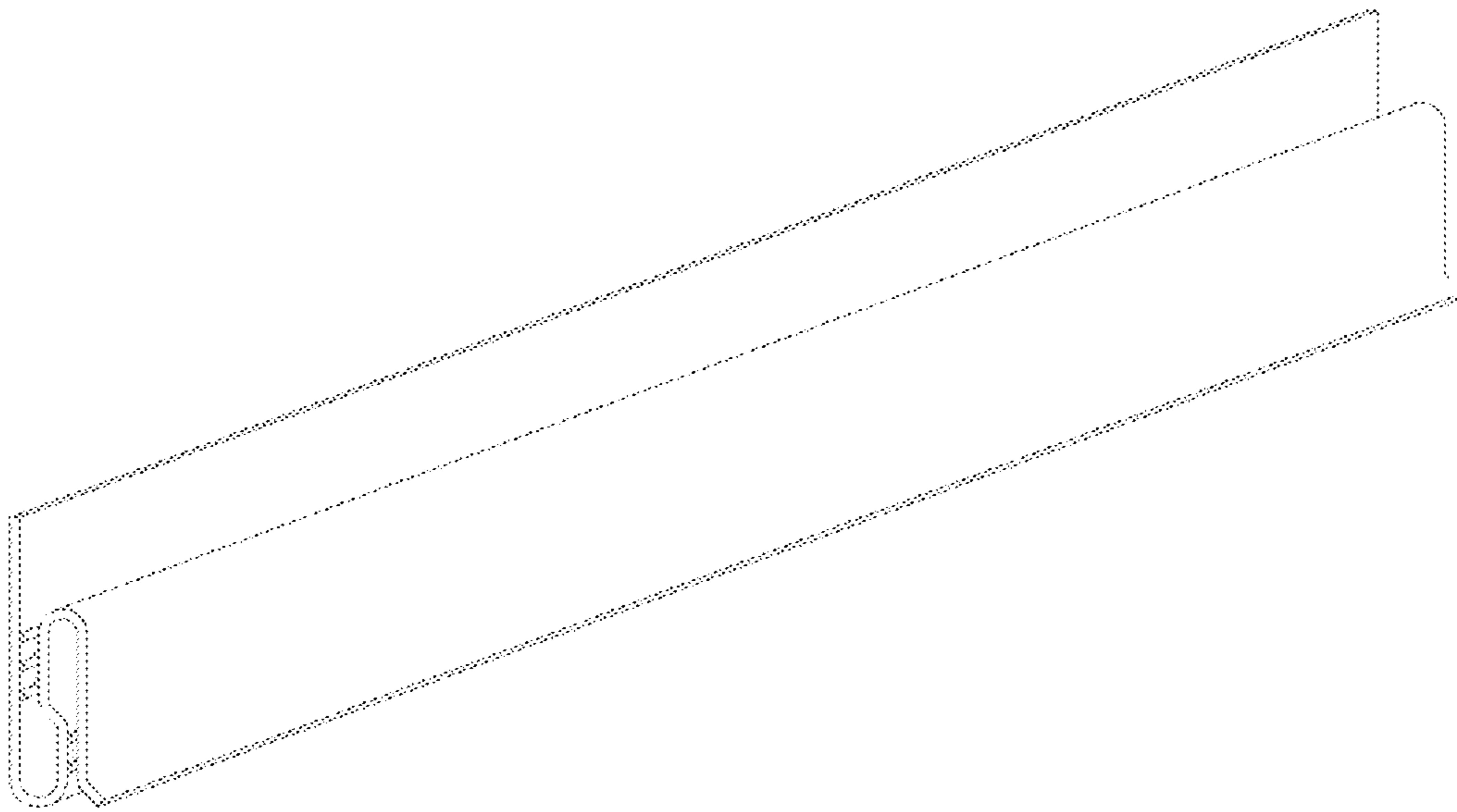


FIG. 1

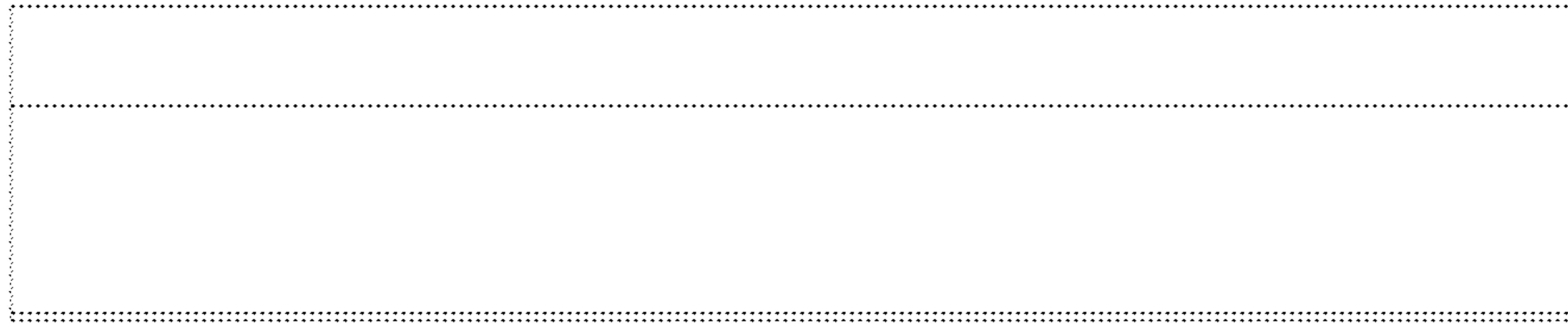


FIG. 2



FIG. 3

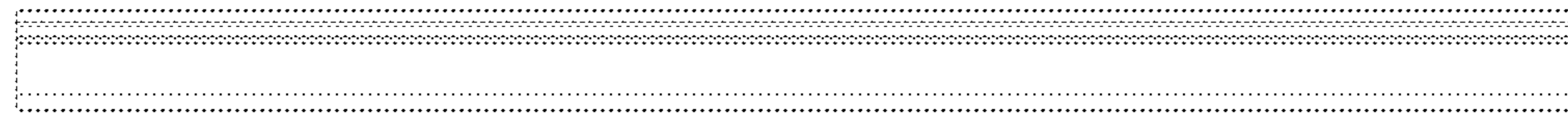


FIG. 4

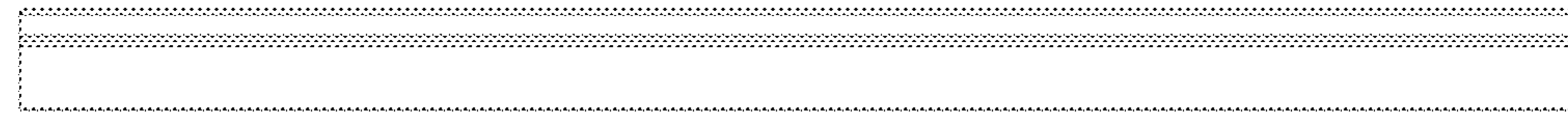


FIG. 5

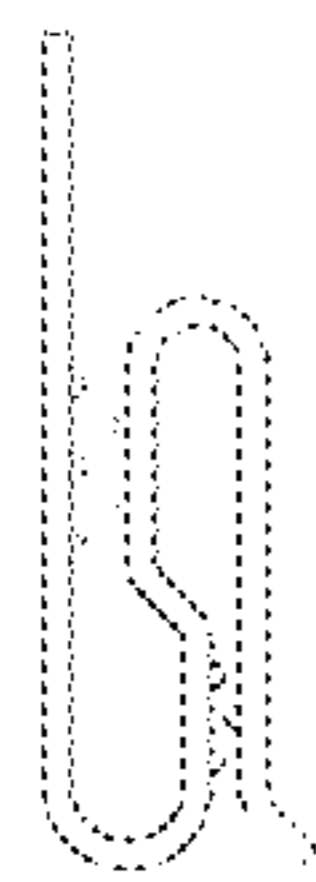


FIG. 6

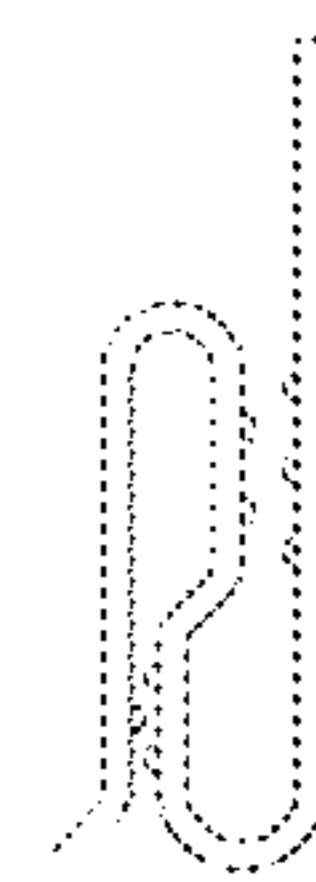


FIG. 7

UNITED STATES PATENT AND TRADEMARK OFFICE
CERTIFICATE OF CORRECTION

PATENT NO. : D717,368 S
APPLICATION NO. : 29/416923
DATED : November 11, 2014
INVENTOR(S) : Andrew Rivers

Page 1 of 4

It is certified that error appears in the above-identified patent and that said Letters Patent is hereby corrected as shown below:

The title page should be deleted and substitute therefor the attached title page.

In the Drawings:

Figures 1-7 should be deleted and replaced with new Figures 1-7 as shown on the attached pages.

Signed and Sealed this
Second Day of June, 2015



Michelle K. Lee
Director of the United States Patent and Trademark Office

(12) **United States Design Patent** (10) **Patent No.:** **US D717,368 S**
Rivers (45) **Date of Patent:** **** Nov. 11, 2014**

(54) **PLECTRUM HOLDER**

(75) **Inventor:** Andrew Rivers, Southsea (GB)
 (73) **Assignee:** Fretfunk Limited, Portsmouth (GB)
 (**) **Term:** 14 Years
 (21) **Appl. No.:** 29/416,923

(22) **Filed:** Mar. 28, 2012
 (51) **LOC (10) Cl.** 17-03
 (52) **U.S. Cl.**
 USPC D17/20
 (58) **Field of Classification Search**
 USPC D17/20, 99; 84/320-322, 453
 See application file for complete search history.

(56) **References Cited**
U.S. PATENT DOCUMENTS

4,785,708 A *	11/1988	Vaughan	84/329
4,890,531 A *	1/1990	Tischer	84/329
D392,796 S *	3/1998	North	D3/204
6,140,564 A *	10/2000	Pia	84/453
6,315,698 B1 *	11/2001	Barber	482/93
D697,707 S *	1/2014	Surabian et al.	D3/204
2010/0083810 A1 *	4/2010	Tran et al.	84/322

FOREIGN PATENT DOCUMENTS

GB 2091204 A * 7/1982 B65D 85:00
 JP 2013080167 A * 5/2013

* cited by examiner

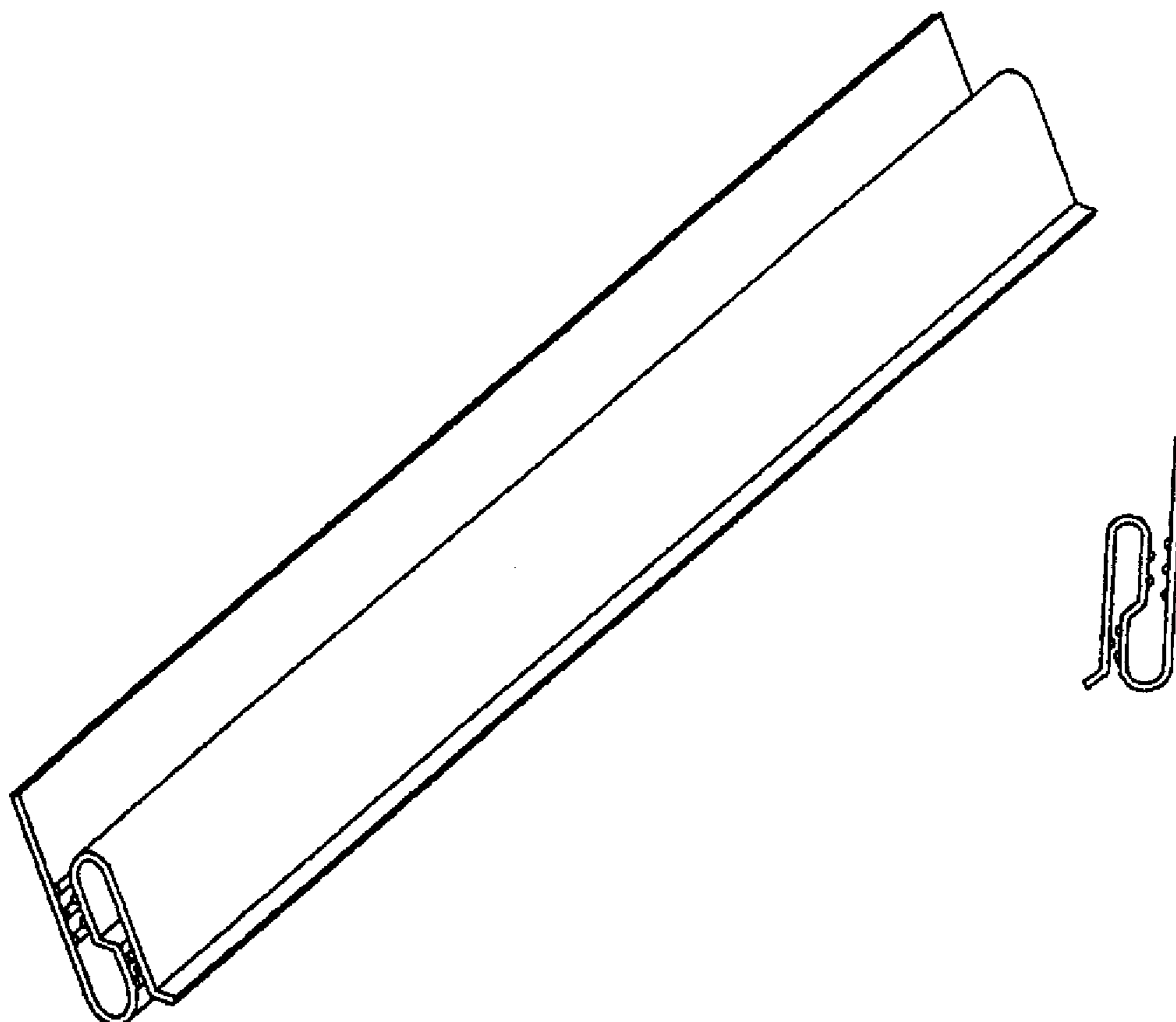
Primary Examiner — Rashida Johnson
 (74) *Attorney, Agent, or Firm* — Sterne, Kessler, Goldstein & Fox P.L.L.C.

(57) **CLAIM**
 The ornamental design for a plectrum holder, as shown and described.

DESCRIPTION

FIG. 1 is a front perspective view of a plectrum holder showing my new design;
 FIG. 2 is front view thereof;
 FIG. 3 is a rear view thereof;
 FIG. 4 is a top plan view thereof;
 FIG. 5 is a bottom plan view thereof;
 FIG. 6 is a left side view thereof; and,
 FIG. 7 is a right side view thereof.

1 Claim, 2 Drawing Sheets



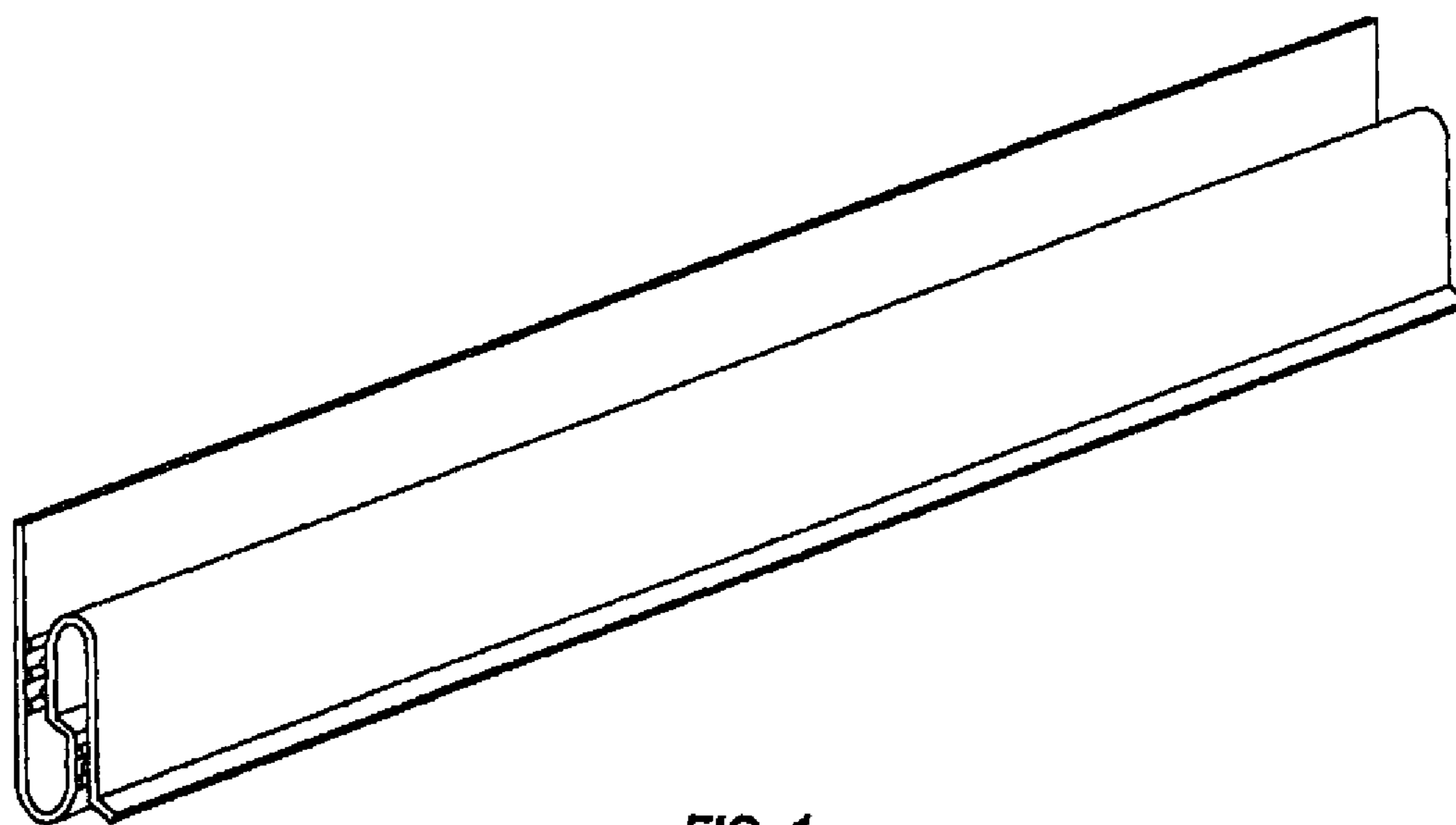


FIG. 1

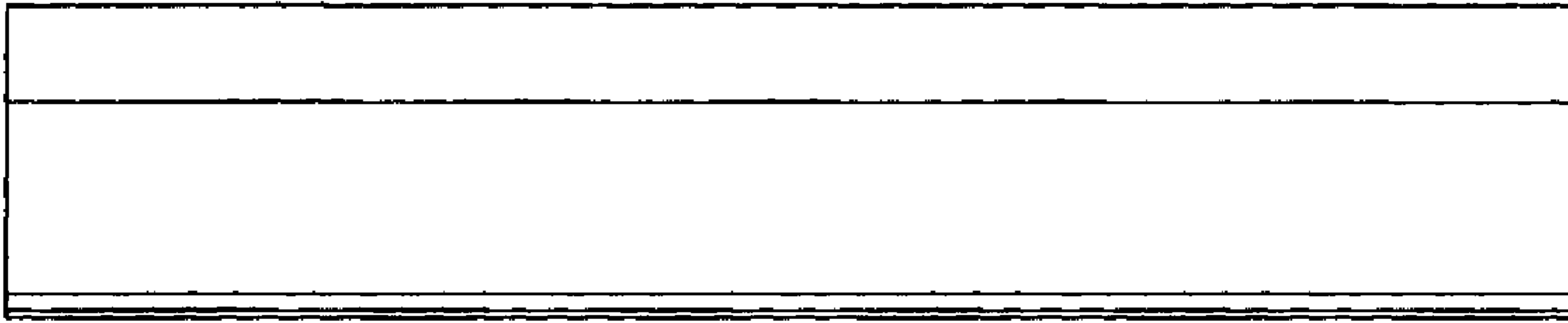


FIG. 2

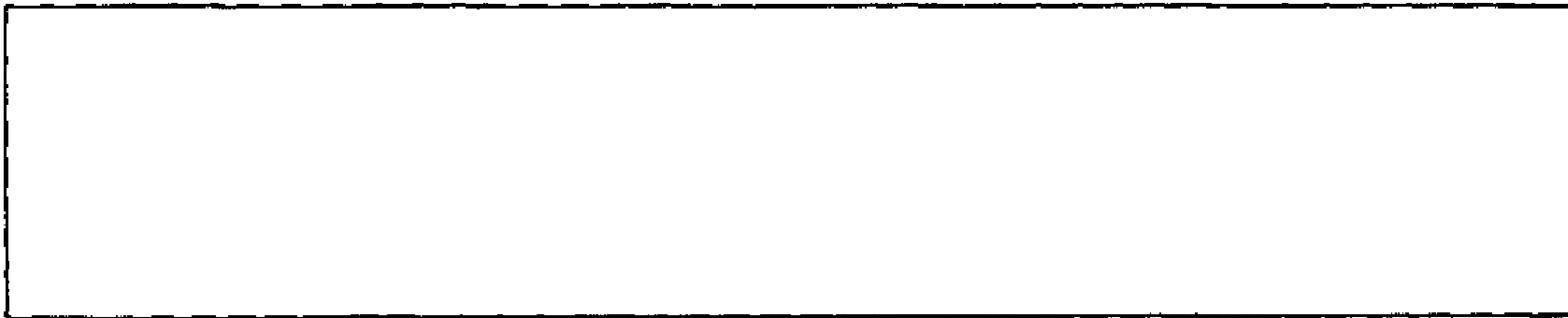


FIG. 3

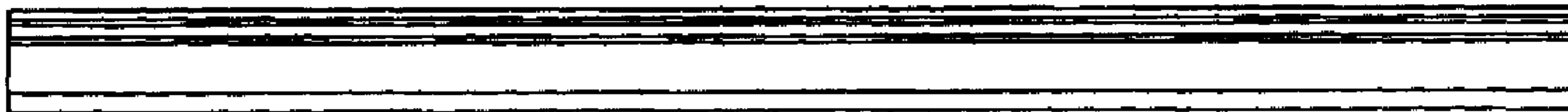


FIG. 4

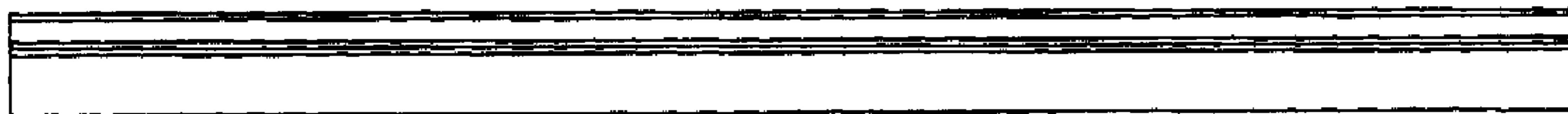


FIG. 5

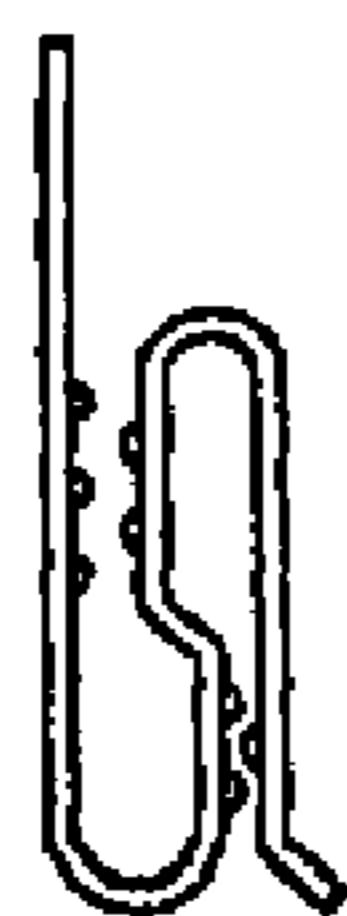


FIG. 6



FIG. 7