

US00D717361S

(12) **United States Design Patent**  
**Nikaido**

(10) **Patent No.:** **US D717,361 S**

(45) **Date of Patent:** **\*\* Nov. 11, 2014**

(54) **TRIPOD MOUNT FOR CAMERA LENS**

FOREIGN PATENT DOCUMENTS

(71) Applicant: **Nikon Corporation**, Tokyo (JP)

JP 897531 S 4/1994

(72) Inventor: **Yutaka Nikaido**, Kamakura (JP)

JP 925349 S 5/1995

(73) Assignee: **Nikon Corporation**, Tokyo (JP)

JP 945121 S 1/1996

JP 963315 S 9/1996

(\*\*) Term: **14 Years**

JP 963315-1 S 3/1997

JP 1321265 S 2/2008

(21) Appl. No.: **29/458,992**

\* cited by examiner

(22) Filed: **Jun. 25, 2013**

*Primary Examiner* — Susan Bennett Hattan

*Assistant Examiner* — Leanne Was

(30) **Foreign Application Priority Data**

(74) *Attorney, Agent, or Firm* — Wolf, Greenfield & Sacks, P.C.; Randy J. Pritzker

Dec. 26, 2012 (JP) ..... 2012-031483

(51) **LOC (10) Cl.** ..... **16-05**

(52) **U.S. Cl.**

USPC ..... **D16/244**

(58) **Field of Classification Search**

USPC ..... D16/219, 237, 242, 243, 244, 245;  
248/178.1, 187.1, 183.2; 348/373;  
396/419, 428

See application file for complete search history.

(56) **References Cited**

U.S. PATENT DOCUMENTS

D140,011 S *	1/1945	Creedon	.....	D16/242
D144,840 S *	5/1946	Creedon	.....	D16/242
D235,573 S *	6/1975	Brych	.....	D26/37
D323,655 S *	2/1992	Bethea et al.	.....	D14/144
D349,491 S *	8/1994	Copper et al.	.....	D14/388
D487,453 S *	3/2004	Ribeiro et al.	.....	D14/240
D515,614 S *	2/2006	Speggiorin	.....	D16/243
D673,681 S *	1/2013	Boudier	.....	D24/158

(57) **CLAIM**

The ornamental design for a tripod mount for camera lens, as shown and described.

**DESCRIPTION**

FIG. 1 is a front perspective view of a tripod mount for camera lens showing my new design;

FIG. 2 is a rear perspective view thereof;

FIG. 3 is a front view thereof, the rear view being a mirror image of FIG. 3;

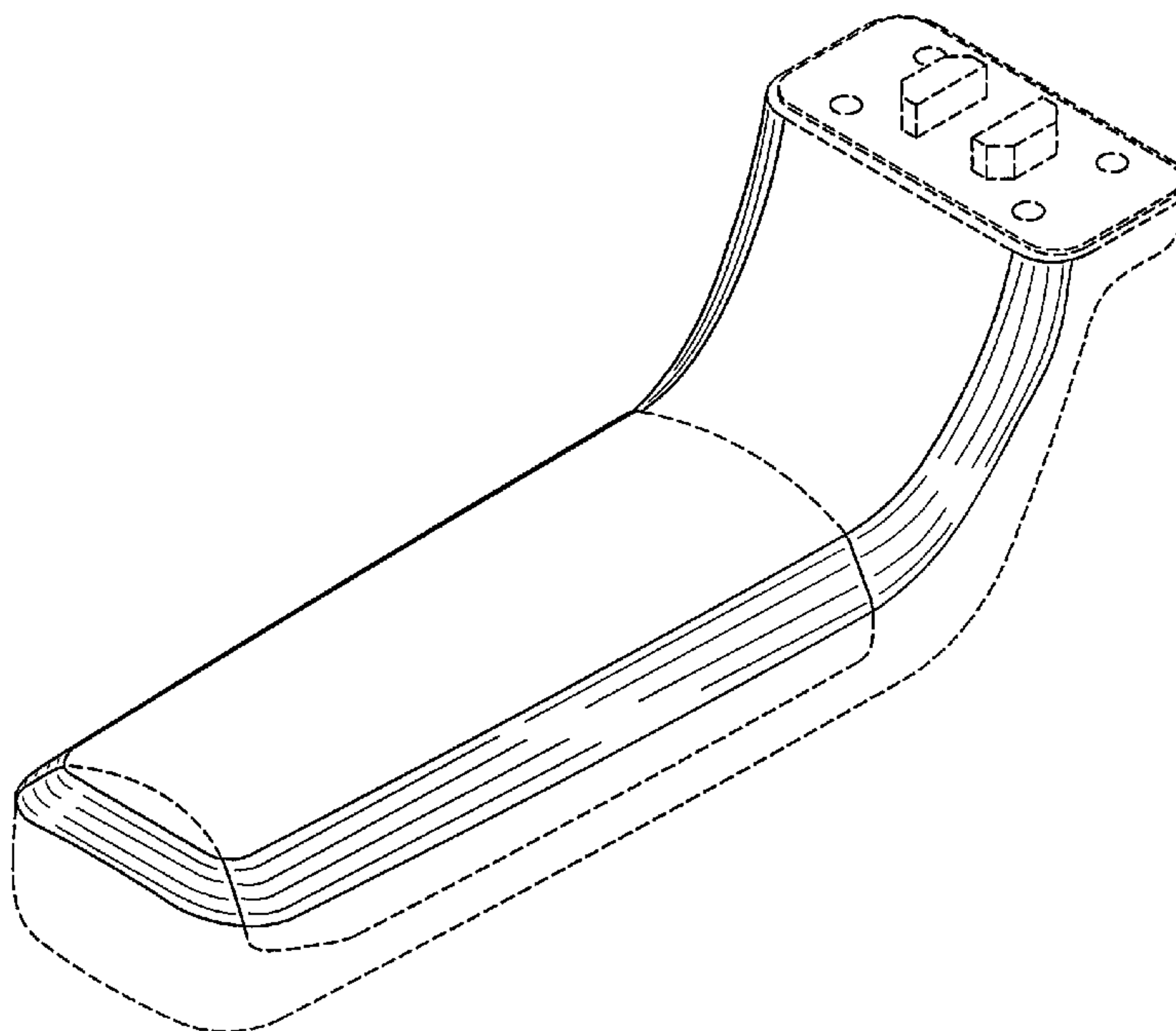
FIG. 4 is a top plan view thereof;

FIG. 5 is a left side view thereof; and,

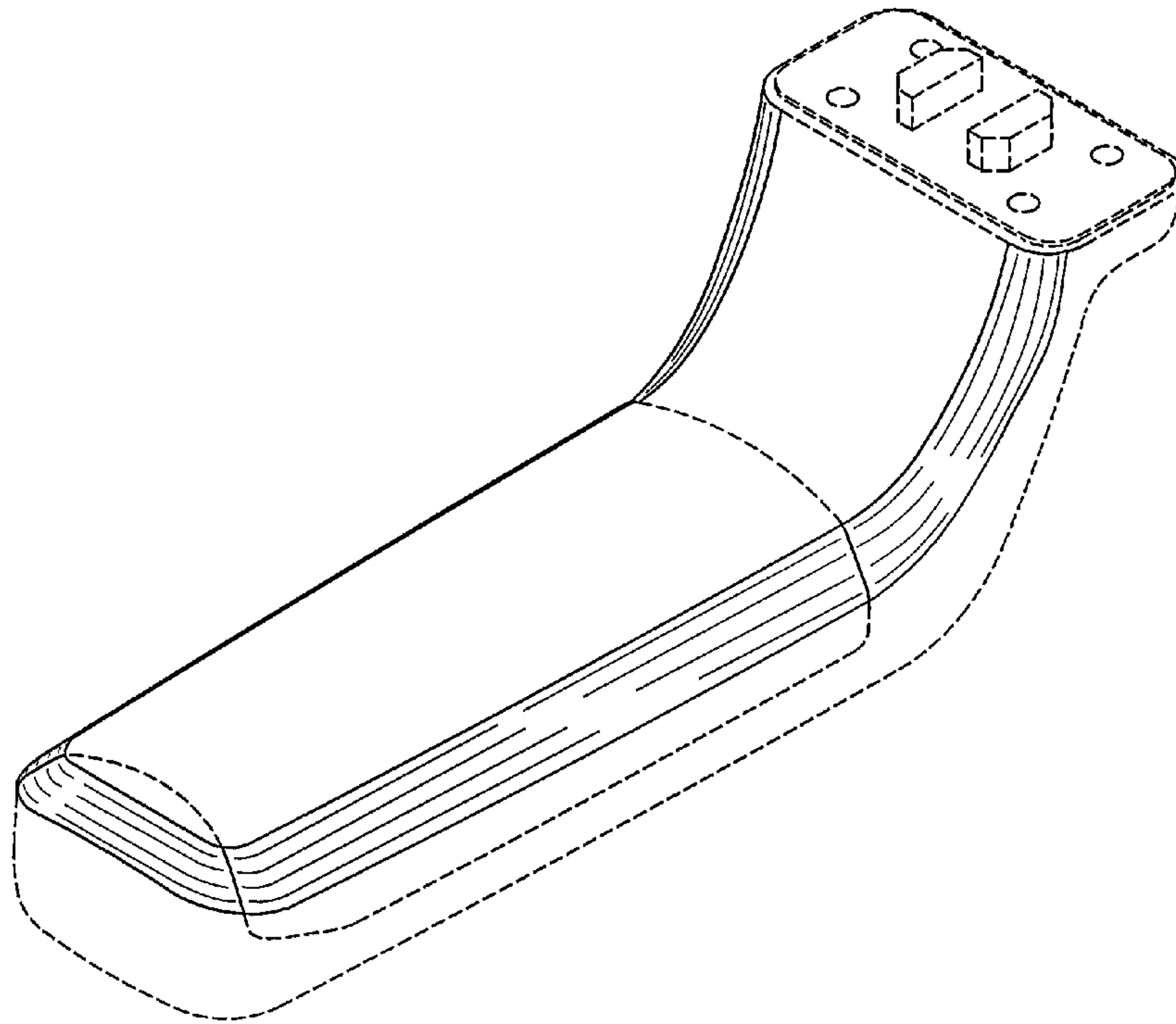
FIG. 6 is a referential view showing the article in use.

The features shown in broken lines in the drawings depict environmental subject matter only and form no part of the claimed design.

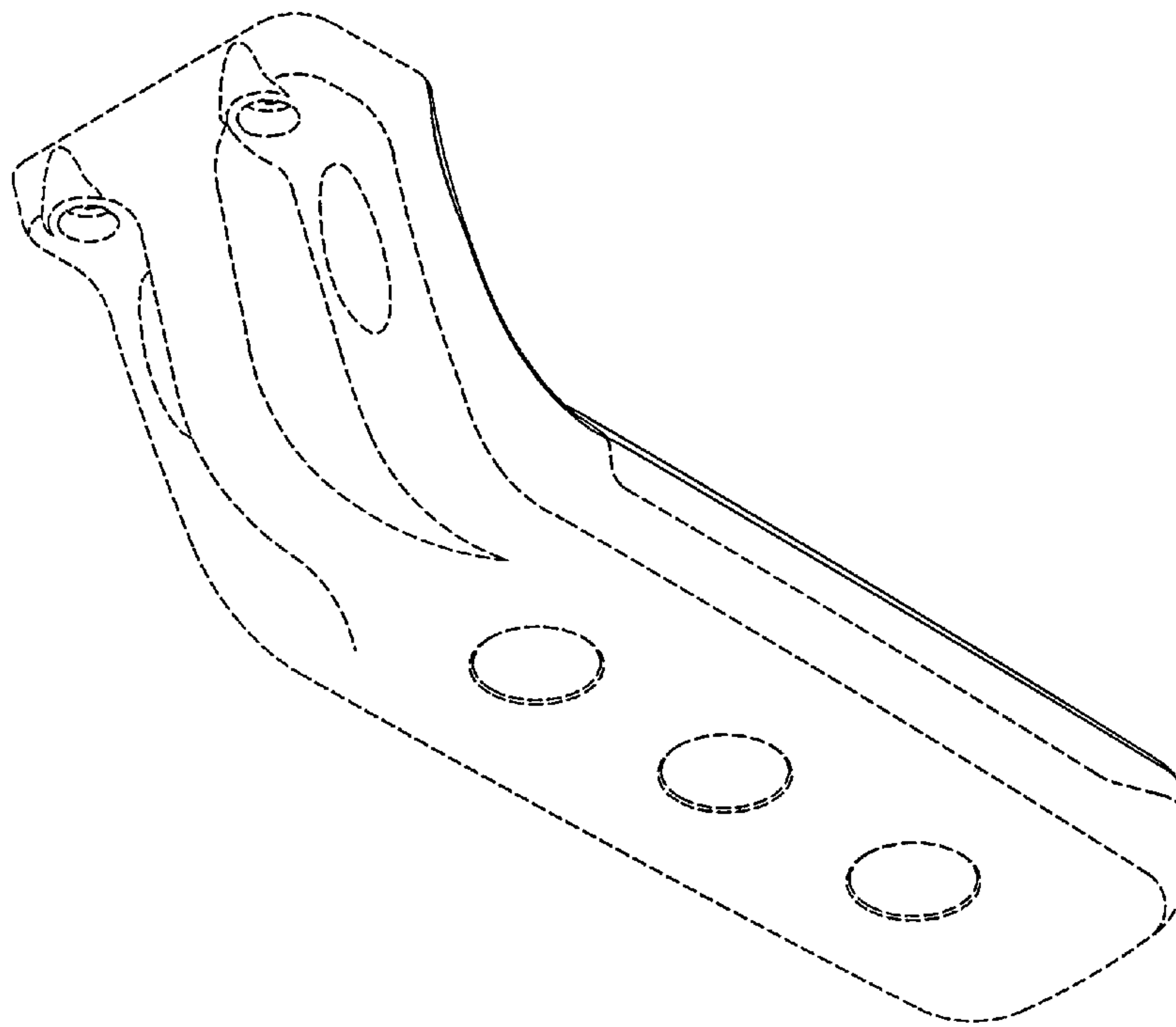
**1 Claim, 6 Drawing Sheets**



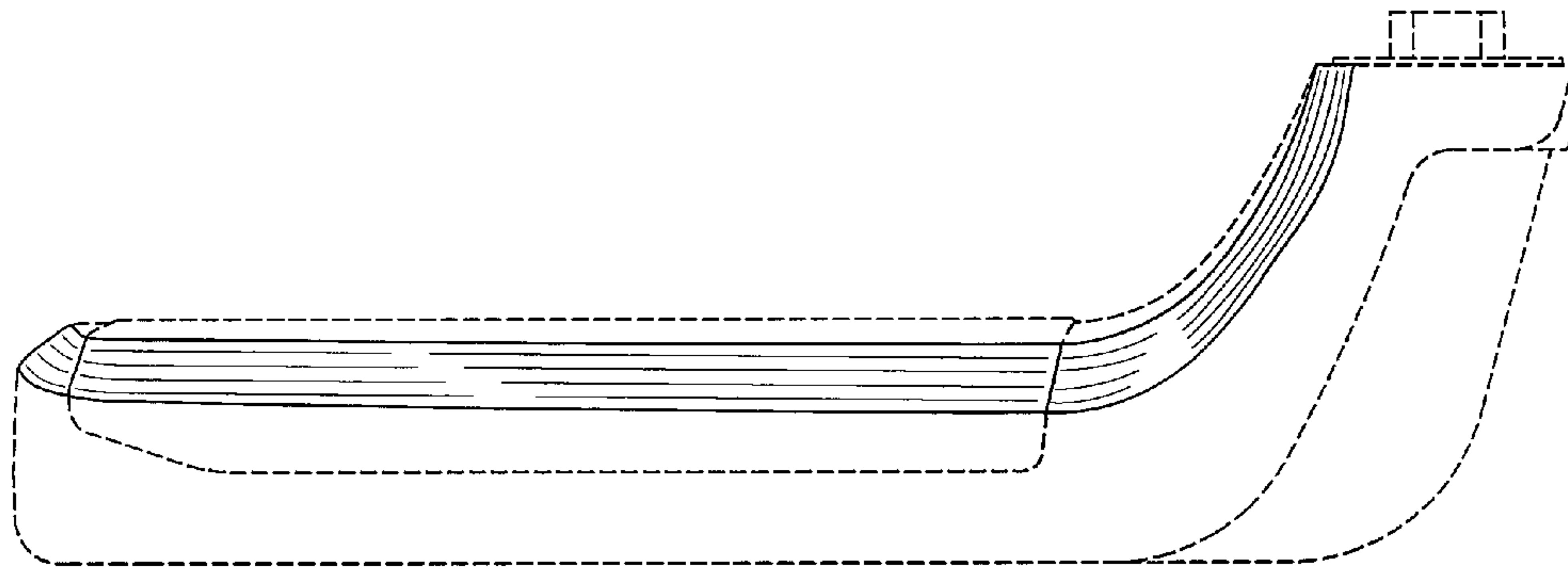
*FIG. 1*



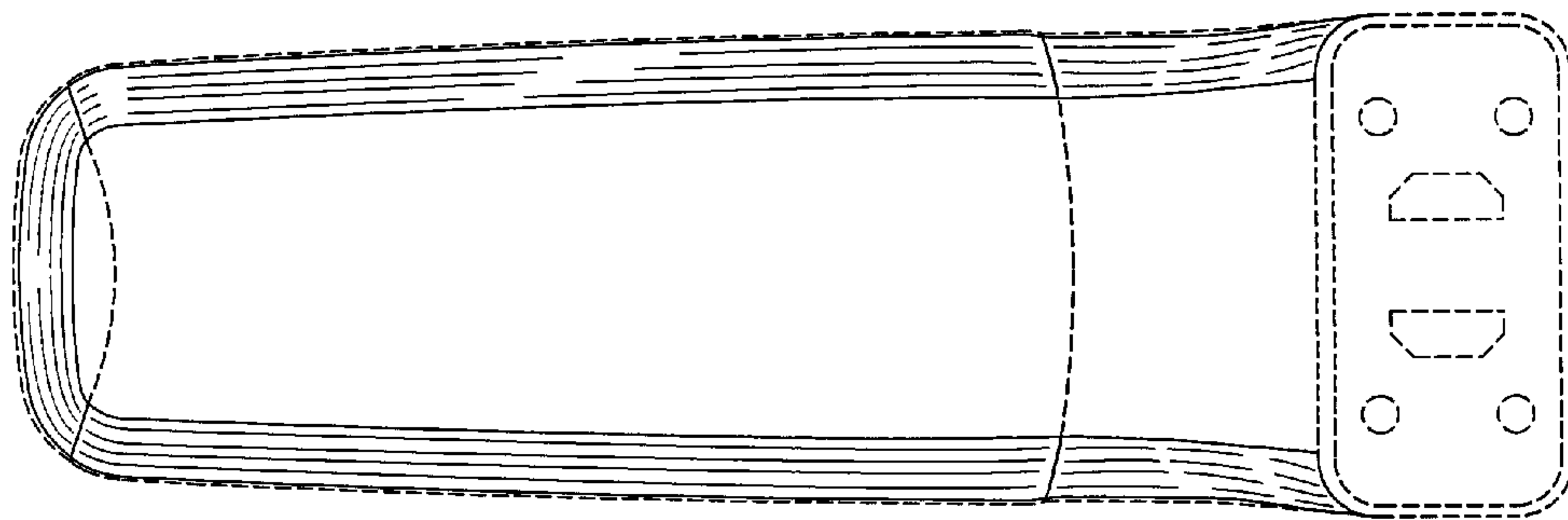
**FIG. 2**



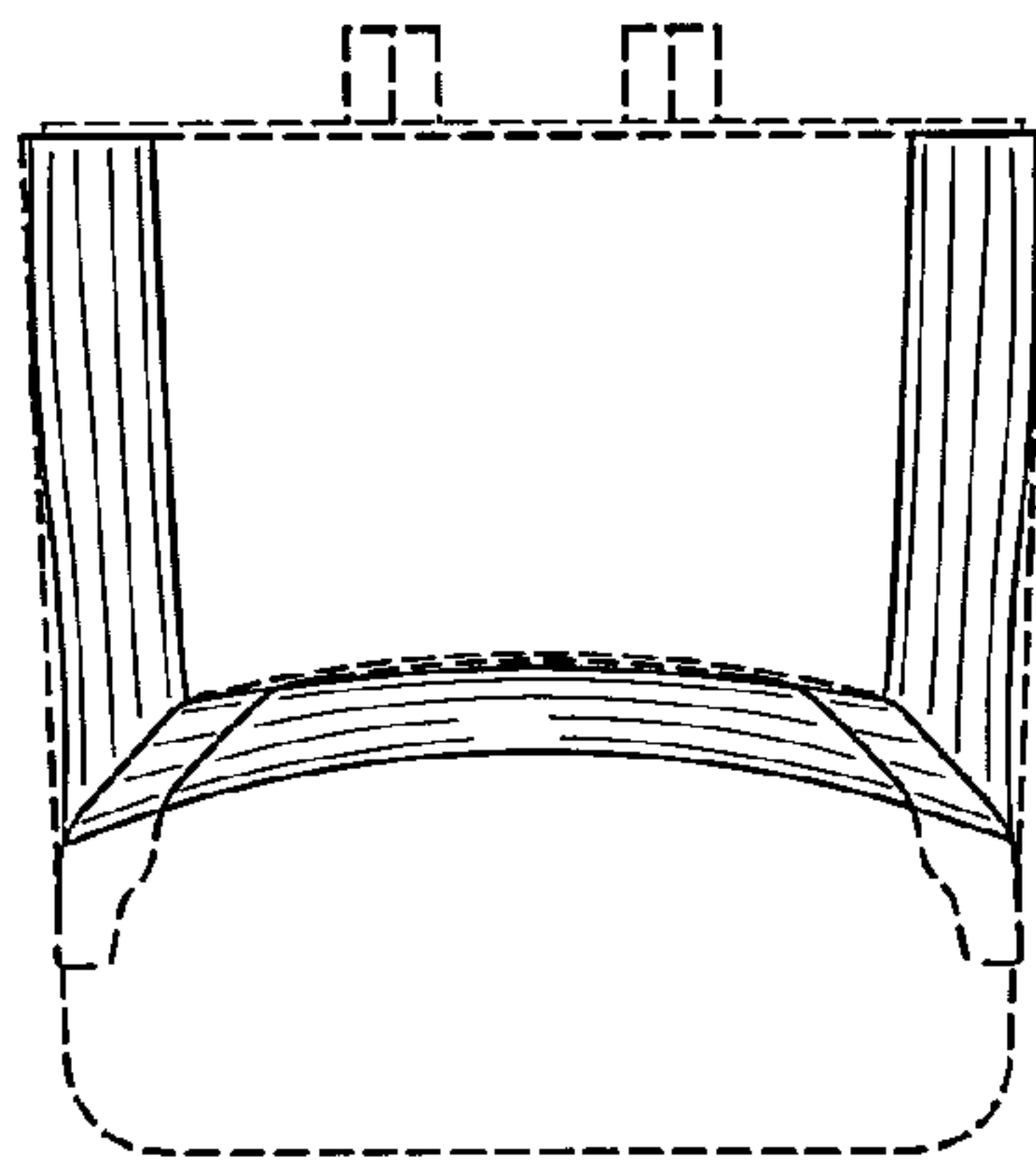
*FIG. 3*



*FIG. 4*



*FIG. 5*



*FIG. 6*

