

US00D717360S

(12) **United States Design Patent**
Chun

(10) **Patent No.:** **US D717,360 S**

(45) **Date of Patent:** **** Nov. 11, 2014**

(54) **PORTABLE MINIATURE FOLDING TRIPOD**

(71) Applicant: **James K Chun**, Fremont, CA (US)

(72) Inventor: **James K Chun**, Fremont, CA (US)

(**) Term: **14 Years**

(21) Appl. No.: **29/434,601**

(22) Filed: **Oct. 15, 2012**

(51) **LOC (10) Cl.** **16-05**

(52) **U.S. Cl.**
USPC **D16/244**

(58) **Field of Classification Search**

USPC D16/237, 240, 242, 243, 244, 245, 250;
248/166, 168, 169, 170, 171, 183.2,
248/187.1, 188.5, 188.6, 188.7, 439;
352/243; 396/419, 428

See application file for complete search history.

(56) **References Cited**

U.S. PATENT DOCUMENTS

4,648,698	A *	3/1987	Iwasaki	248/163.1
D299,243	S *	1/1989	Iwasaki	D16/244
D349,717	S *	8/1994	Akaike et al.	D16/244
D349,914	S *	8/1994	Usui	D16/244
D350,970	S *	9/1994	Usui	D16/244
D357,267	S *	4/1995	Yotsuya	D16/244
D357,493	S *	4/1995	Yotsuya	D16/244
5,708,890	A *	1/1998	Nakano	396/428
D533,578	S *	12/2006	Oka	D16/244

* cited by examiner

Primary Examiner — Susan Bennett Hattan

Assistant Examiner — Leanne Was

(74) *Attorney, Agent, or Firm* — Dean A. Craine

(57) **CLAIM**

The ornamental design for a portable miniature folding tripod.

DESCRIPTION

FIG. 1 is a front, top perspective view of a portable miniature folding tripod shown in an upright, folded position.

FIG. 2 is a rear, top perspective view of the tripod shown in FIG. 1.

FIG. 3 is a front elevational view of the tripod shown in FIG. 1.

FIG. 4 is a rear elevational view of the tripod shown in FIG. 1.

FIG. 5 is a right side elevational view of the tripod shown in FIG. 1.

FIG. 6 is a top plan view of the tripod shown in FIG. 1.

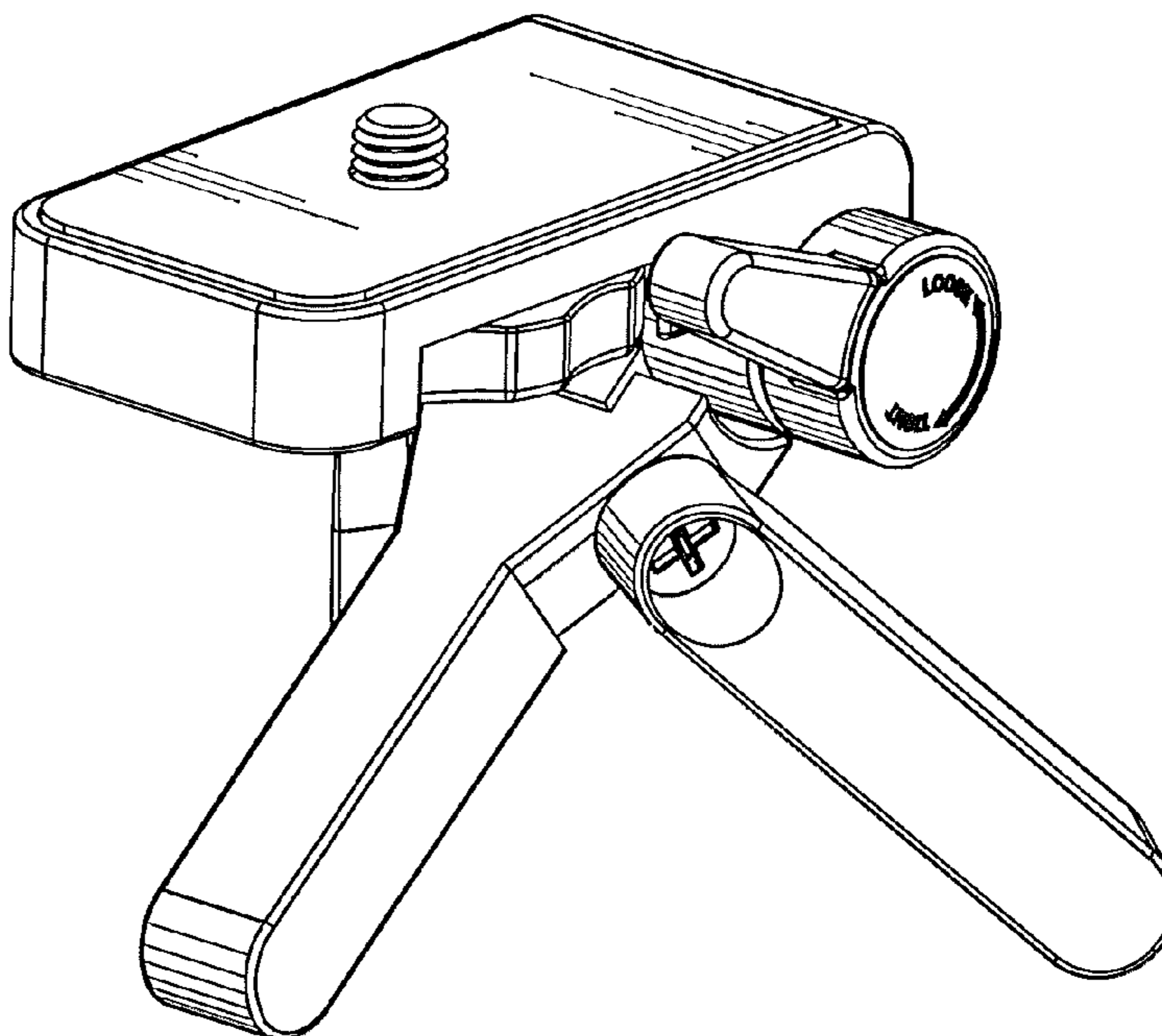
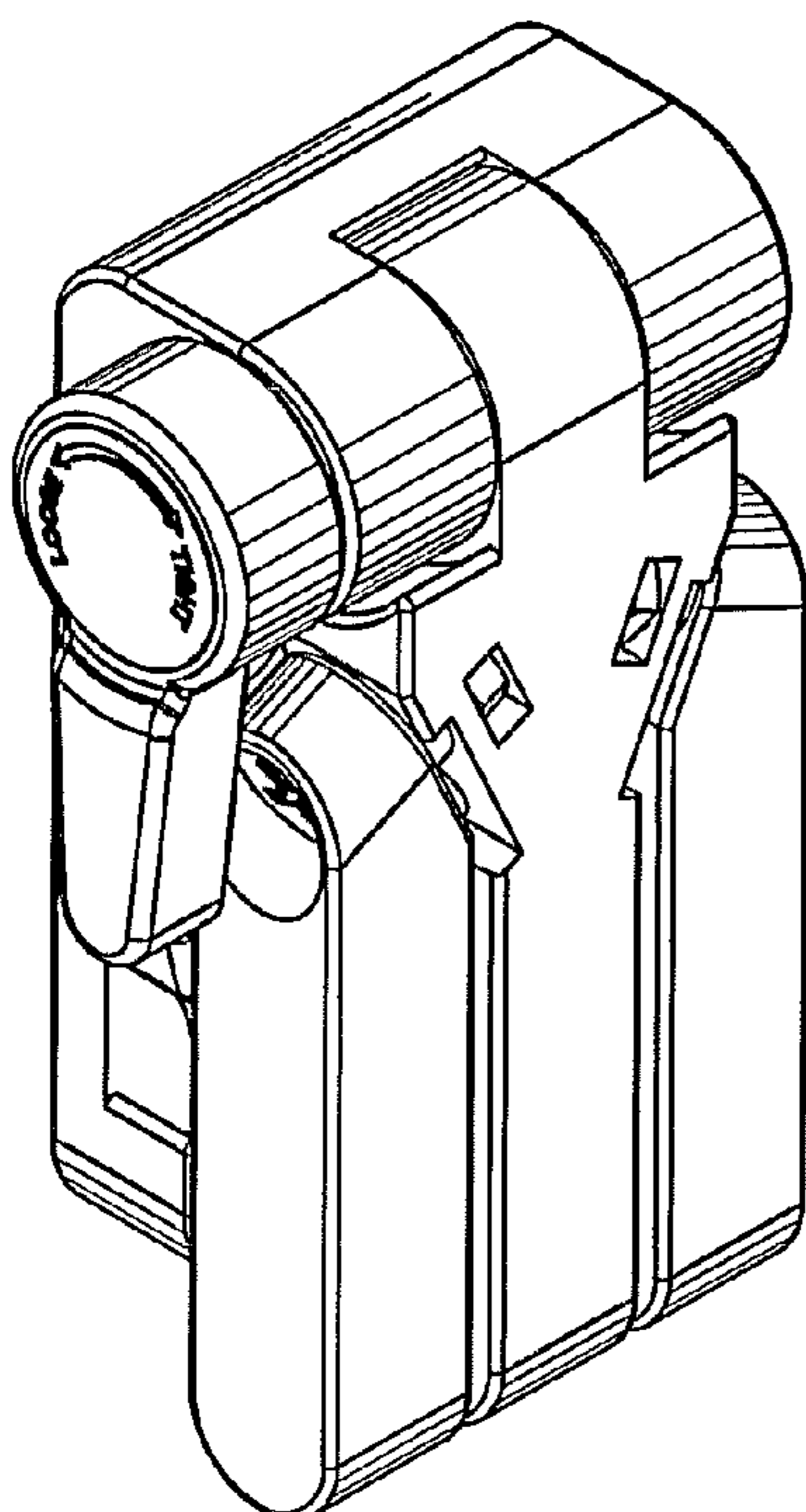
FIG. 7 is a bottom plan view of the tripod shown in FIG. 1.

FIG. 8 is a front, top perspective view of the tripod shown in an unfolded position.

FIG. 9 is a left side elevational view of the tripod shown in FIG. 8.

FIG. 10 is a top plan view of the tripod shown in FIG. 8; and, FIG. 11 is a front, bottom perspective view of the tripod shown in FIG. 8.

1 Claim, 4 Drawing Sheets



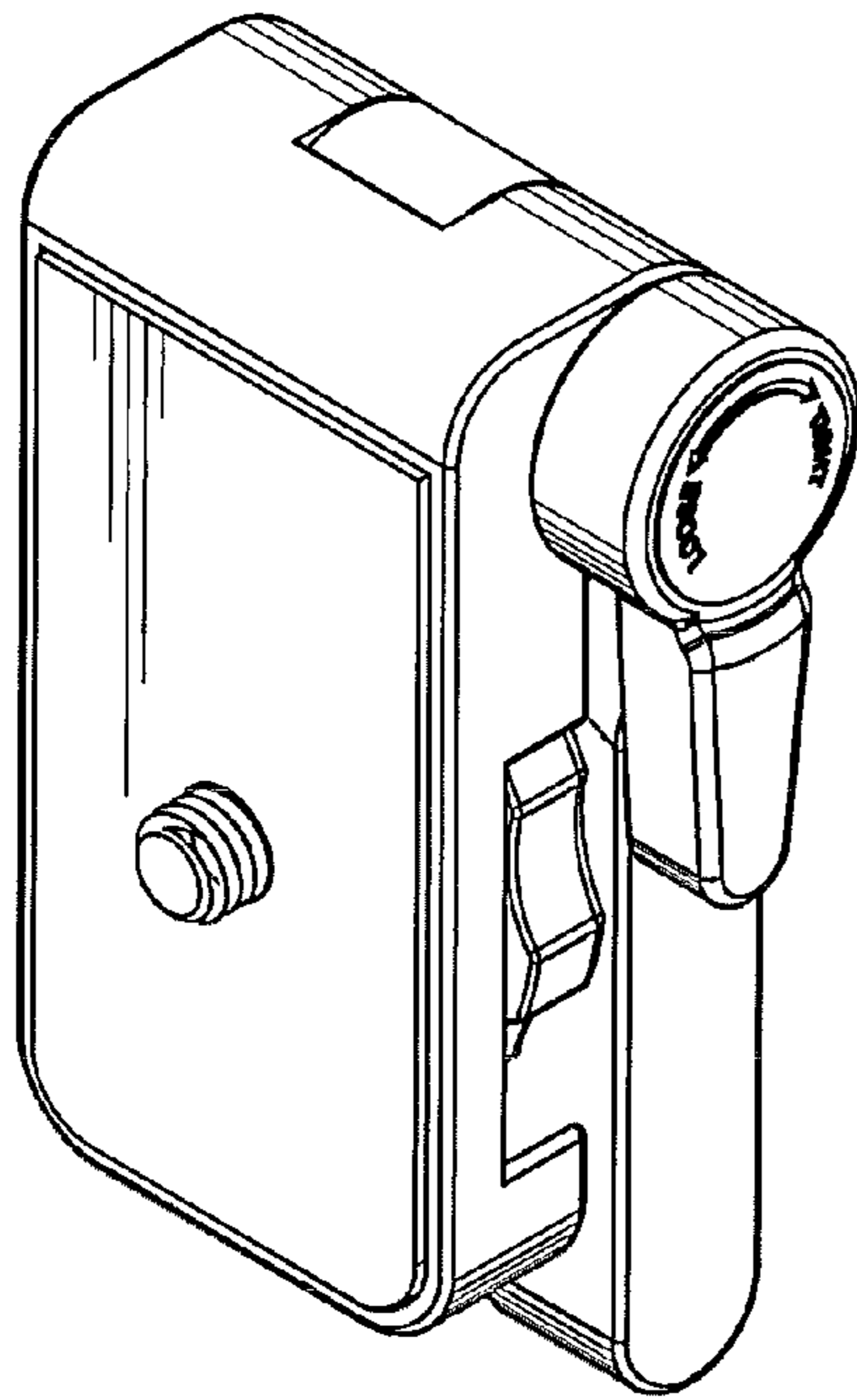


Fig. 1

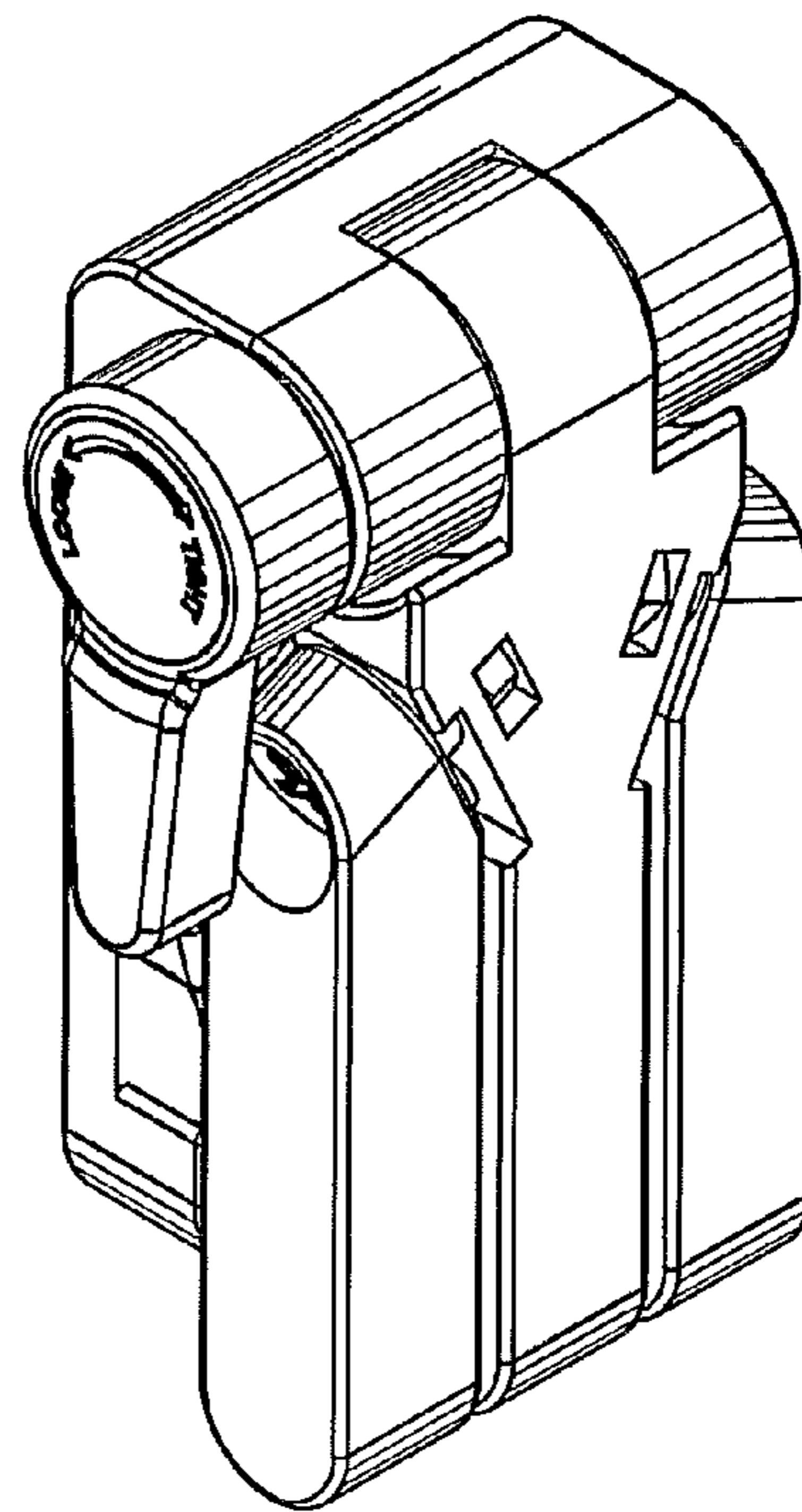


Fig. 2

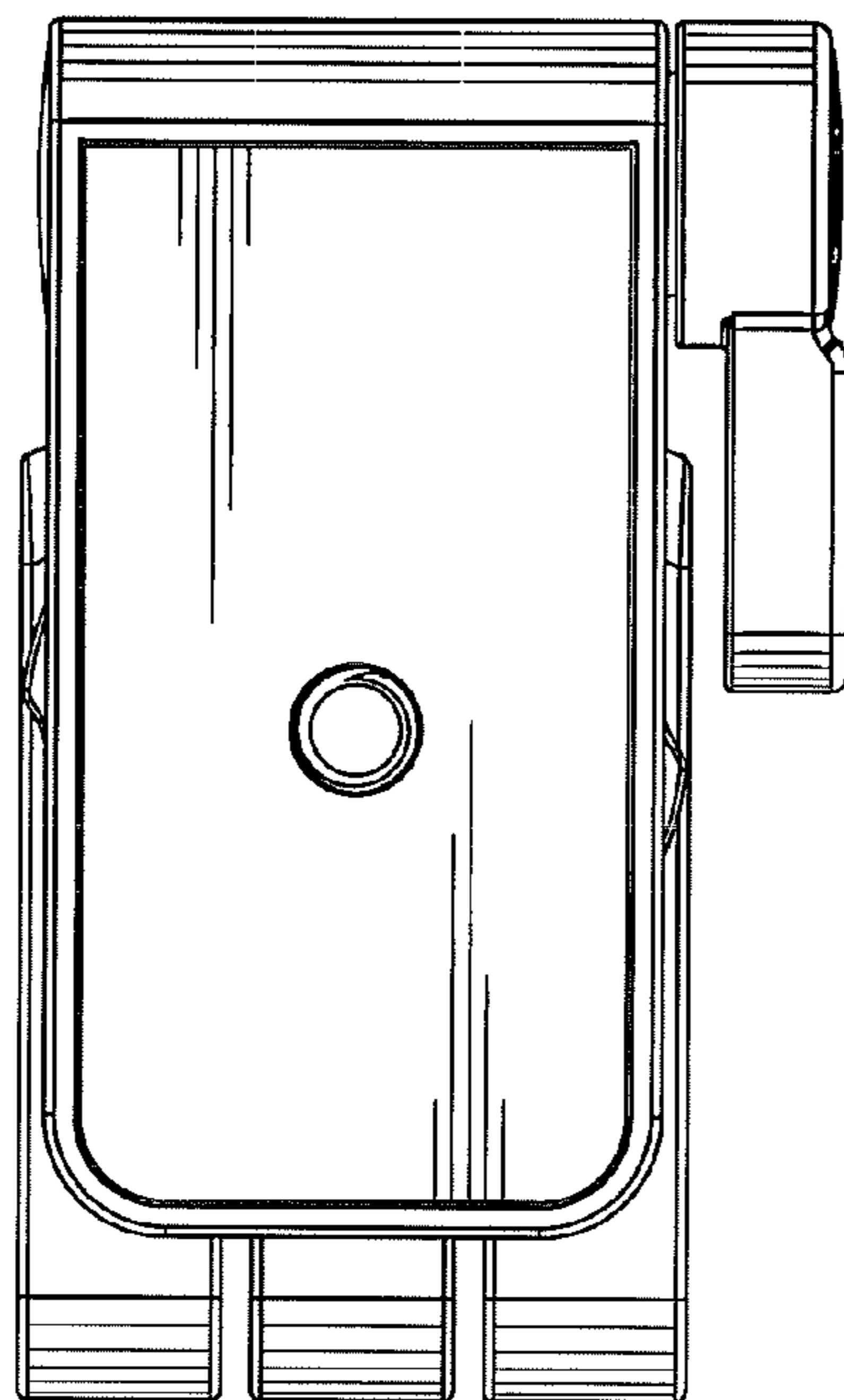


Fig. 3

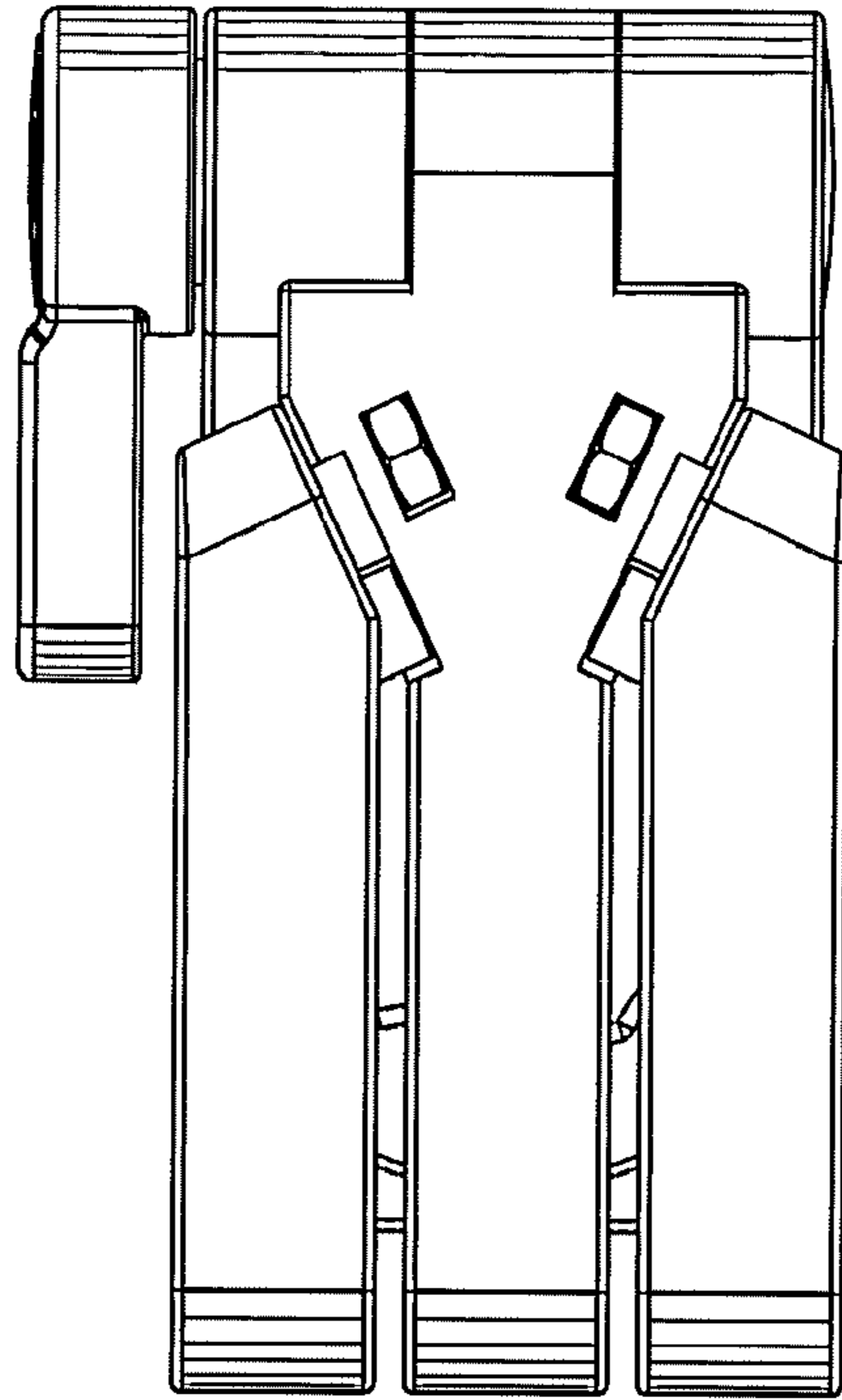


Fig. 4

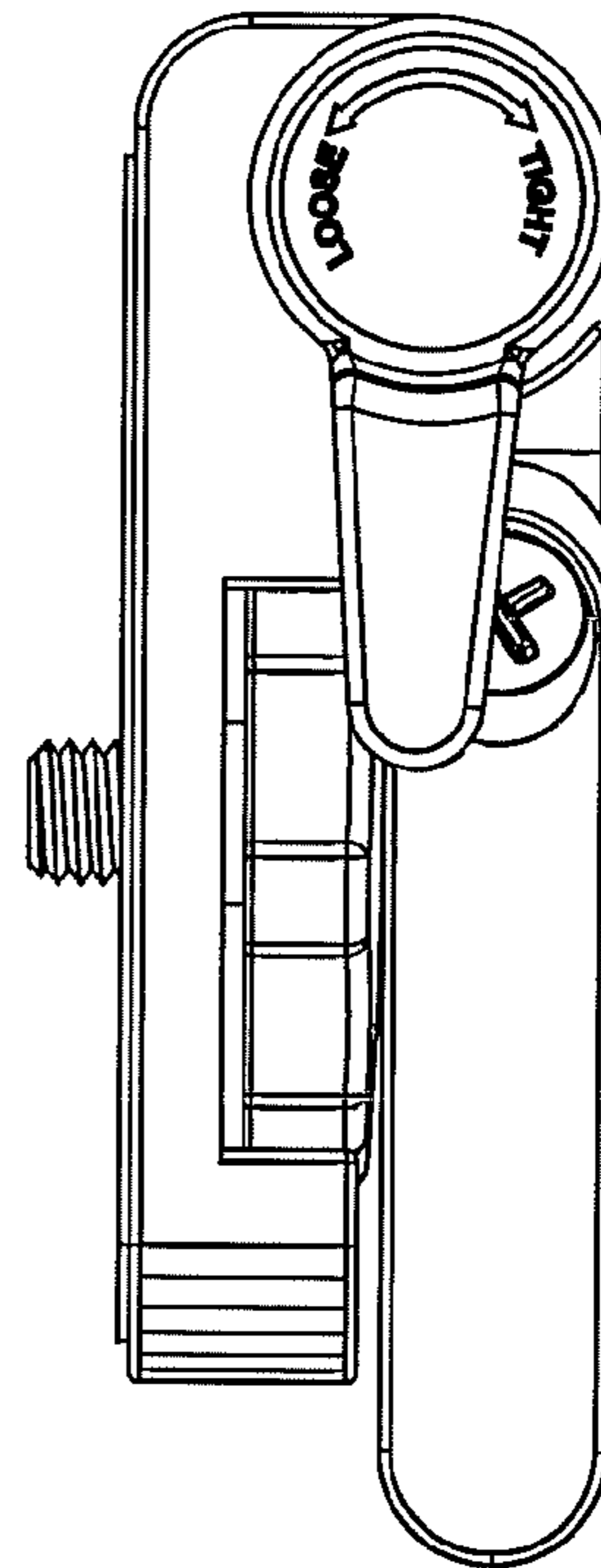


Fig. 5

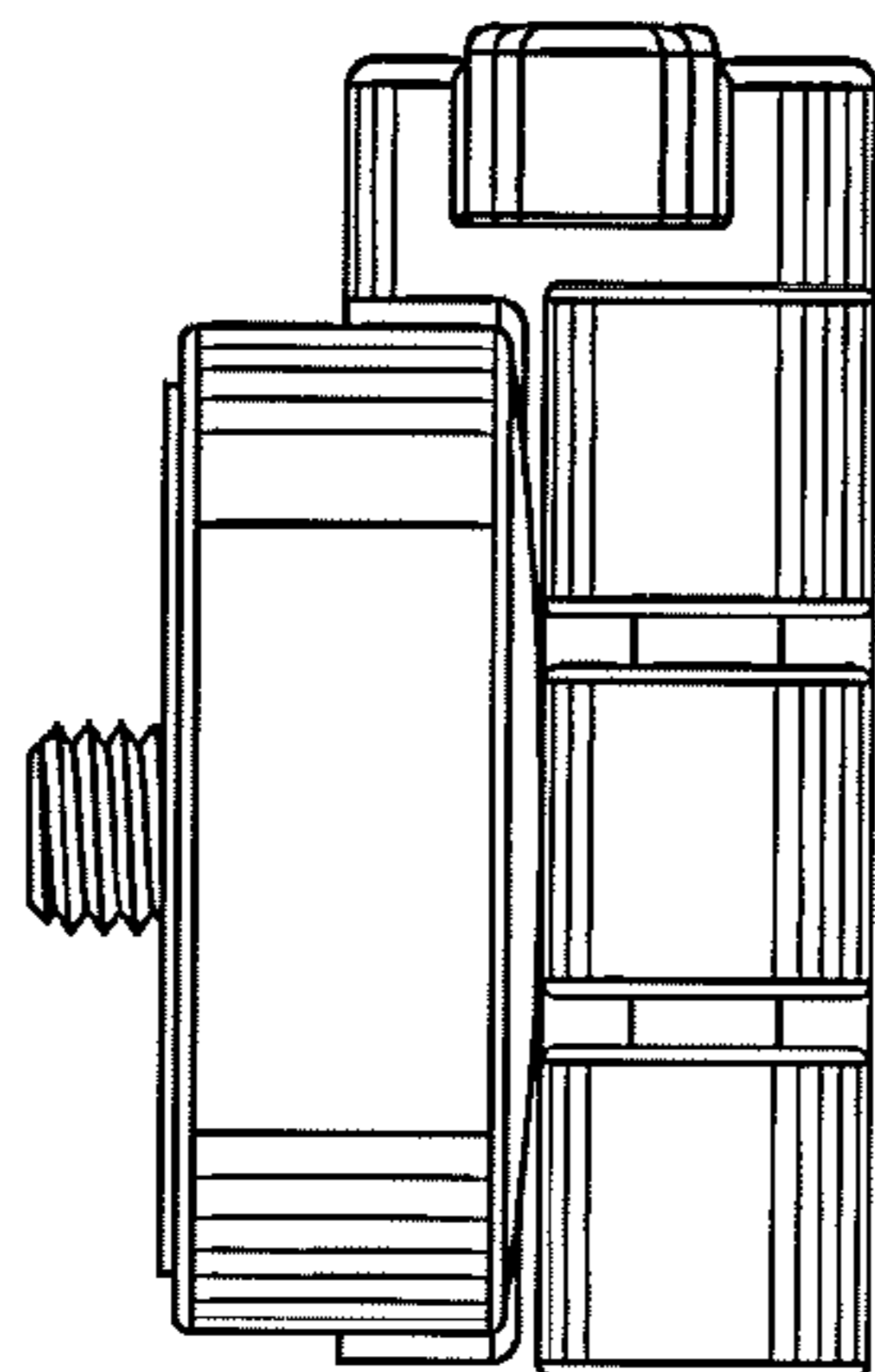


Fig. 7

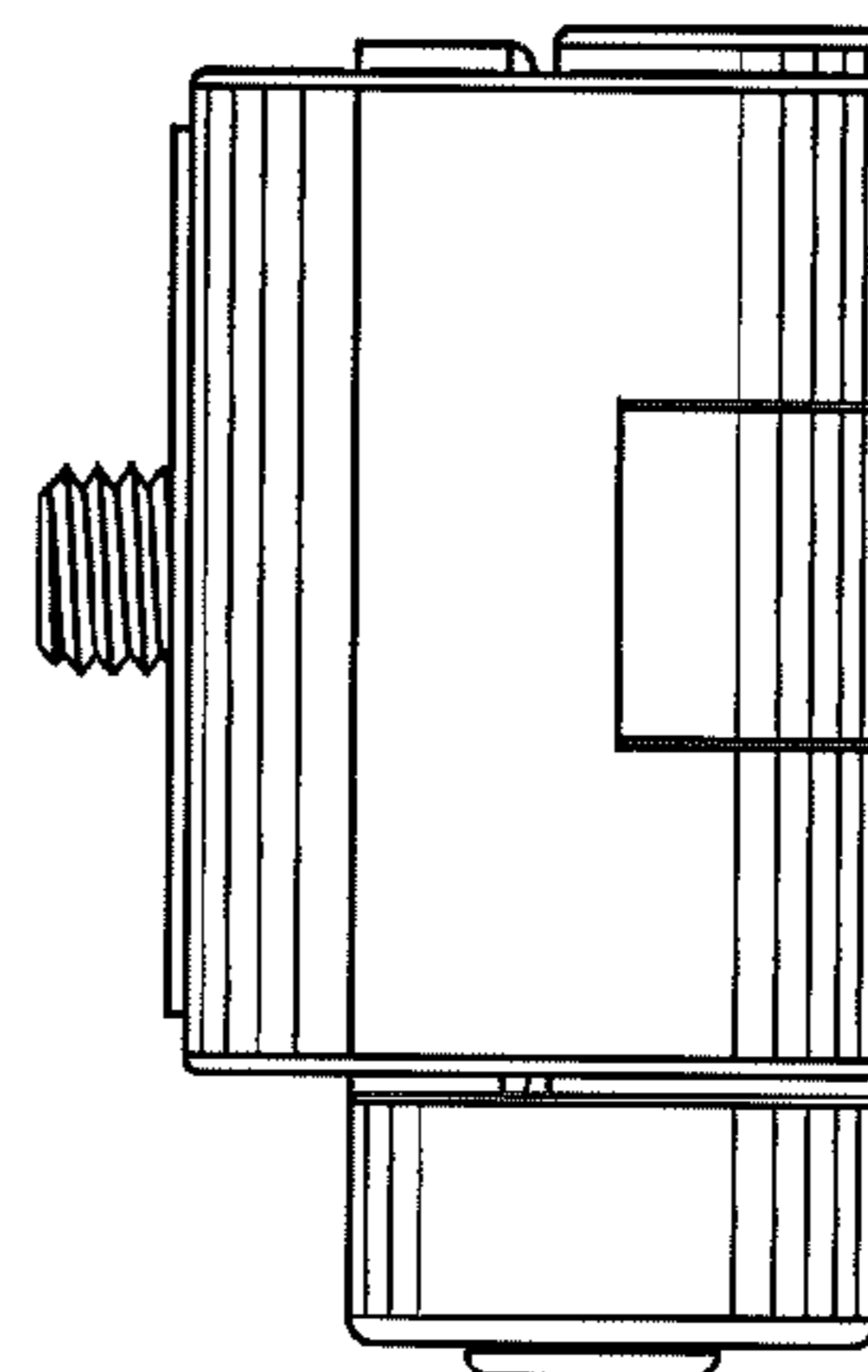


Fig. 6

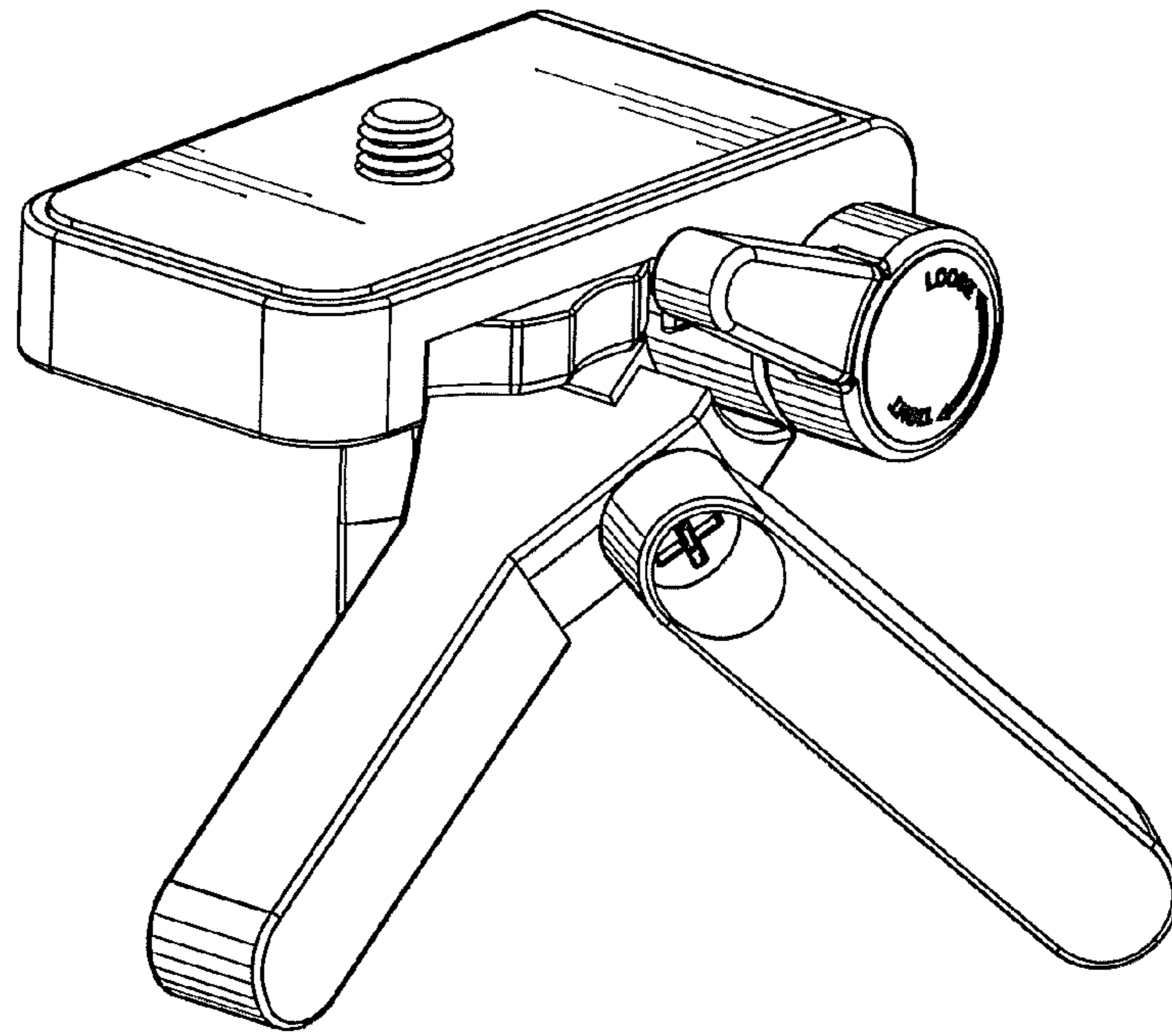


Fig. 8

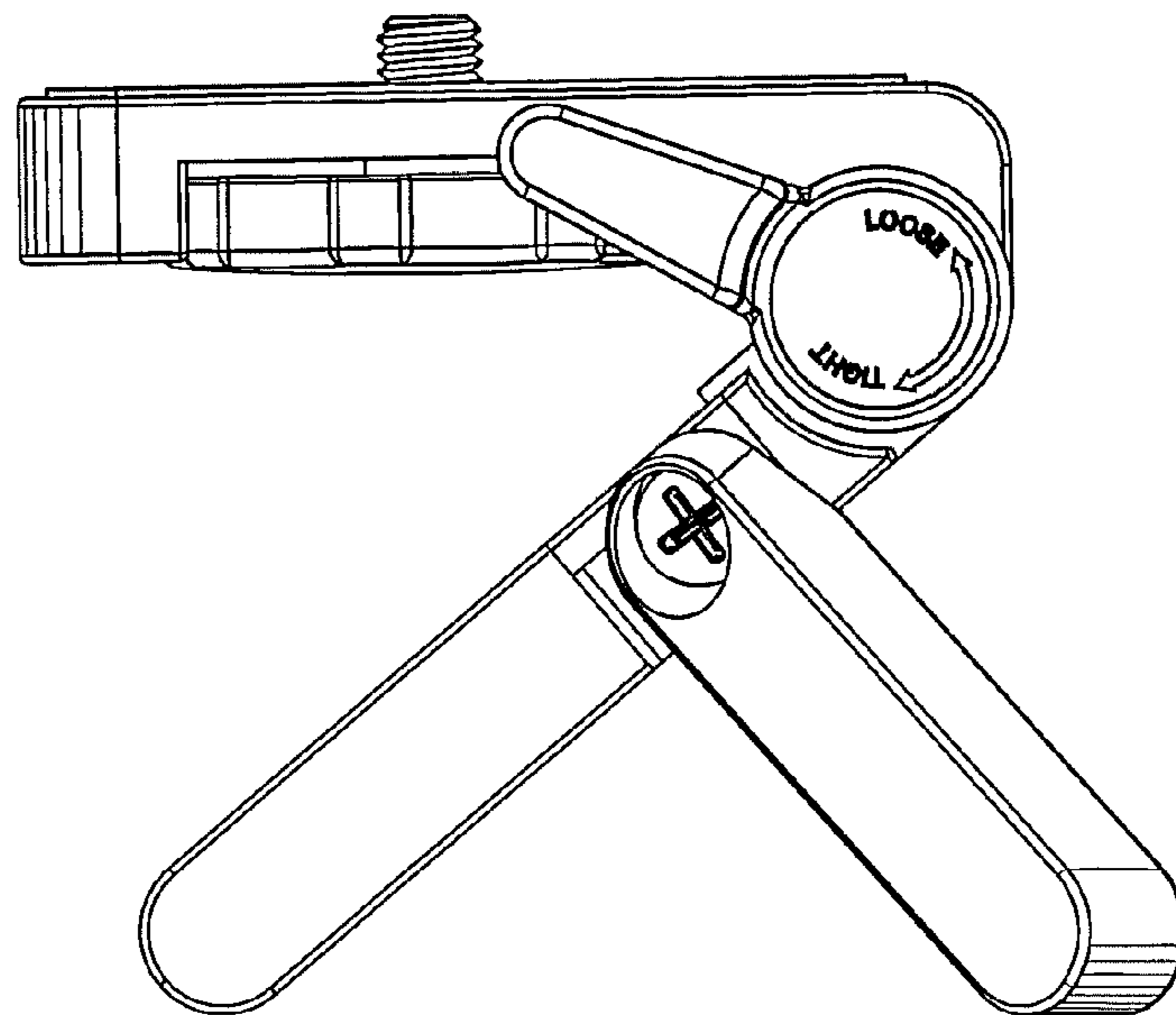


Fig. 9

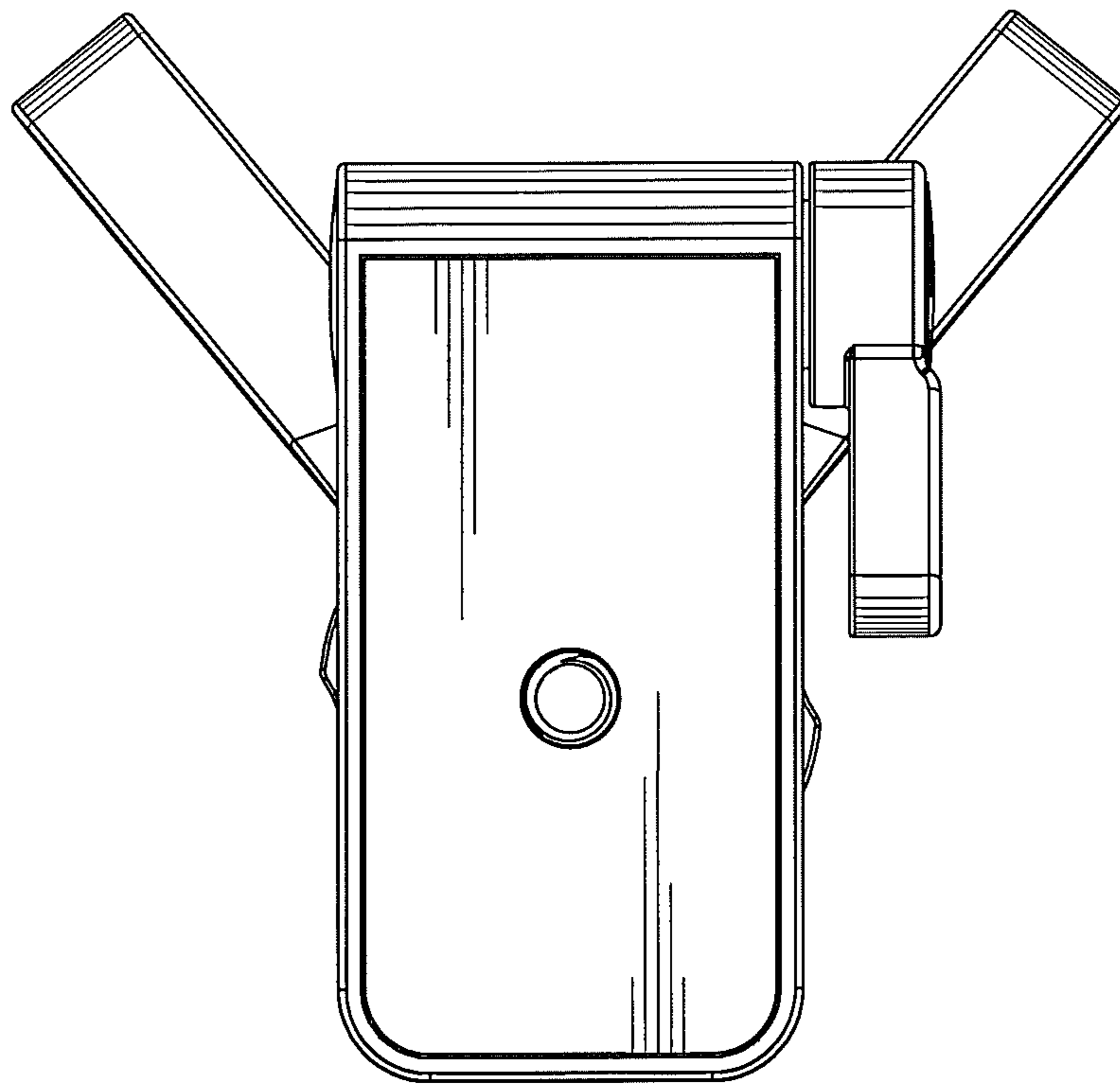


Fig. 10

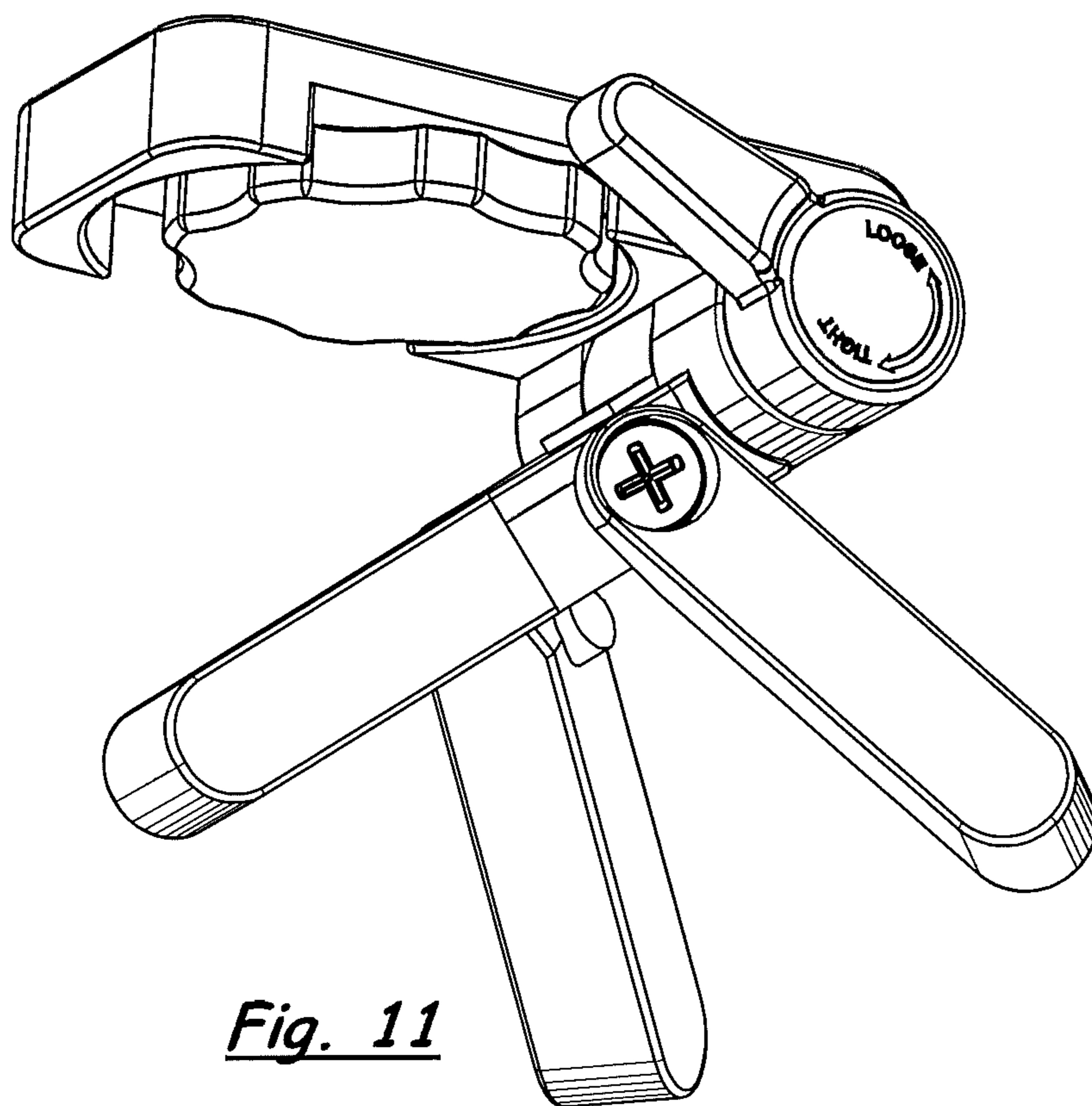


Fig. 11