



US00D717359S

(12) **United States Design Patent**  
**Fong**

(10) **Patent No.:** **US D717,359 S**

(45) **Date of Patent:** **\*\* Nov. 11, 2014**

(54) **FLASH DIFFUSER**

(71) Applicant: **GFIP Holdings LLC**, Carson City, NV  
(US)

(72) Inventor: **Gary Fong**, Kelowna (CA)

(73) Assignee: **GFIP Holdings LLC**, Carson City, NV  
(US)

(\*\*) Term: **14 Years**

(21) Appl. No.: **29/467,663**

(22) Filed: **Sep. 20, 2013**

(51) **LOC (10) Cl.** ..... **16-05**

(52) **U.S. Cl.**  
USPC ..... **D16/237**

(58) **Field of Classification Search**  
USPC ..... D16/134, 136, 200, 202, 218, 219, 237,  
D16/238, 239, 242, 245, 250; 348/373, 374;  
362/3, 16-18, 182, 552; 396/419, 540,  
396/541; D8/323, 331, 349, 354; D26/118;  
D3/219, 267-278; D9/435, 445, 453,  
D9/454

See application file for complete search history.

(56) **References Cited**

**U.S. PATENT DOCUMENTS**

1,463,145	A	*	7/1923	Koss	.....	215/295
D223,139	S	*	3/1972	Trinca	.....	D8/343
D287,333	S	*	12/1986	Knudson	.....	D8/373
D305,545	S	*	1/1990	Hopkins	.....	D16/237
D364,548	S	*	11/1995	Platt	.....	D8/331
D445,682	S	*	7/2001	Michael et al.	.....	D9/436
D479,995	S	*	9/2003	Duceppe	.....	D9/444
D481,823	S	*	11/2003	McClow et al.	.....	D26/113
D513,986	S	*	1/2006	Healy et al.	.....	D9/445
7,380,966	B2		6/2008	Fong		
D588,182	S	*	3/2009	Fong	.....	D16/237
D603,086	S	*	10/2009	Zayas	.....	D26/113

7,748,875	B2		7/2010	Fong		
7,946,719	B2		5/2011	Fong		
D696,120	S	*	12/2013	You	.....	D9/503
D696,122	S	*	12/2013	Son	.....	D9/504
D700,387	S	*	2/2014	Snell	.....	D26/74
2008/0259588	A1	*	10/2008	Fong	.....	362/16
2010/0118552	A1		5/2010	Fong		

**OTHER PUBLICATIONS**

Gary Fong Collapsible Lightshere Copy. Dated May 28,2012. found online [Jun. 20, 2014]http://thediscerningphotographer.com/gary-fongs-lightsphere-a-review/.\*

Gary Fong Lightsphere collapsible speed mount claim. dated 2014. found online [Jun. 20, 2014] http://www.ebay.com/itm/Gary-Fong-Lightsphere-Collapsible-Speed-Mount-White-/281206688257.\*

Gary Fong Lightsphere Collapsible Flash Diffuser. dated Apr. 30, 2012. found online [Jun. 20, 2014] http://www.1kindphotography.com/2012/04/review-gary-fong-gflsc01-lightsphere.html.\*

\* cited by examiner

*Primary Examiner* — Robert M Spear

*Assistant Examiner* — Marissa Cash

(74) *Attorney, Agent, or Firm* — Christie, Parker & Hale, LLP

(57) **CLAIM**

The ornamental design for the flash diffuser, as shown and described.

**DESCRIPTION**

FIG. 1 is a perspective view of a flash diffuser; FIG. 2 is a front view of the flash diffuser of FIG. 1, the rear view being a mirror image of the front view; FIG. 3 is a right side view of the flash diffuser of FIG. 1, the left side view being a mirror image of the right side view; FIG. 4 is a bottom view of the flash diffuser of FIG. 1; and, FIG. 5 is a top view of the flash diffuser of FIG. 1. The broken lines in the drawings are for illustrative purposes only and form no part of the claimed design.

**1 Claim, 5 Drawing Sheets**

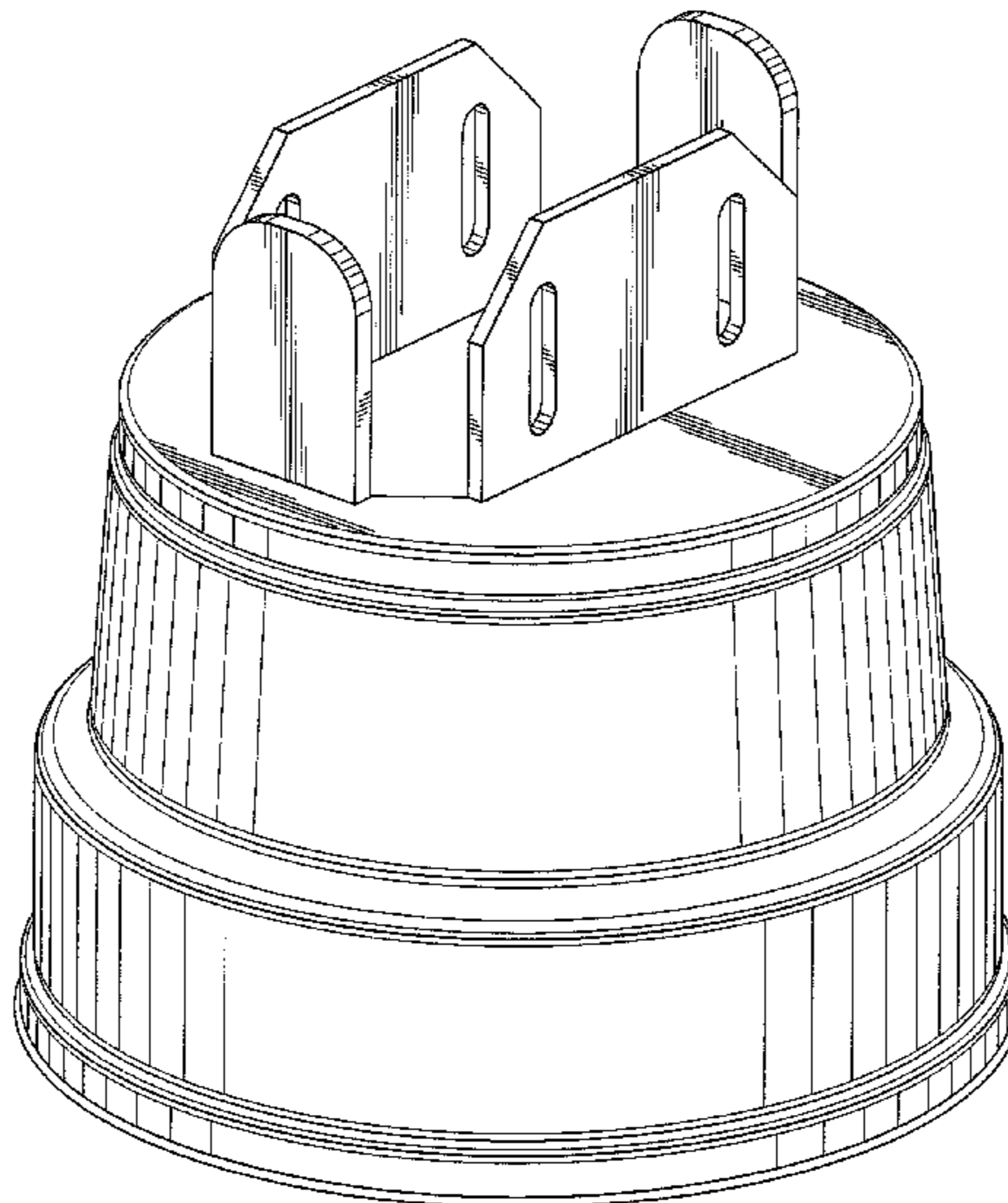
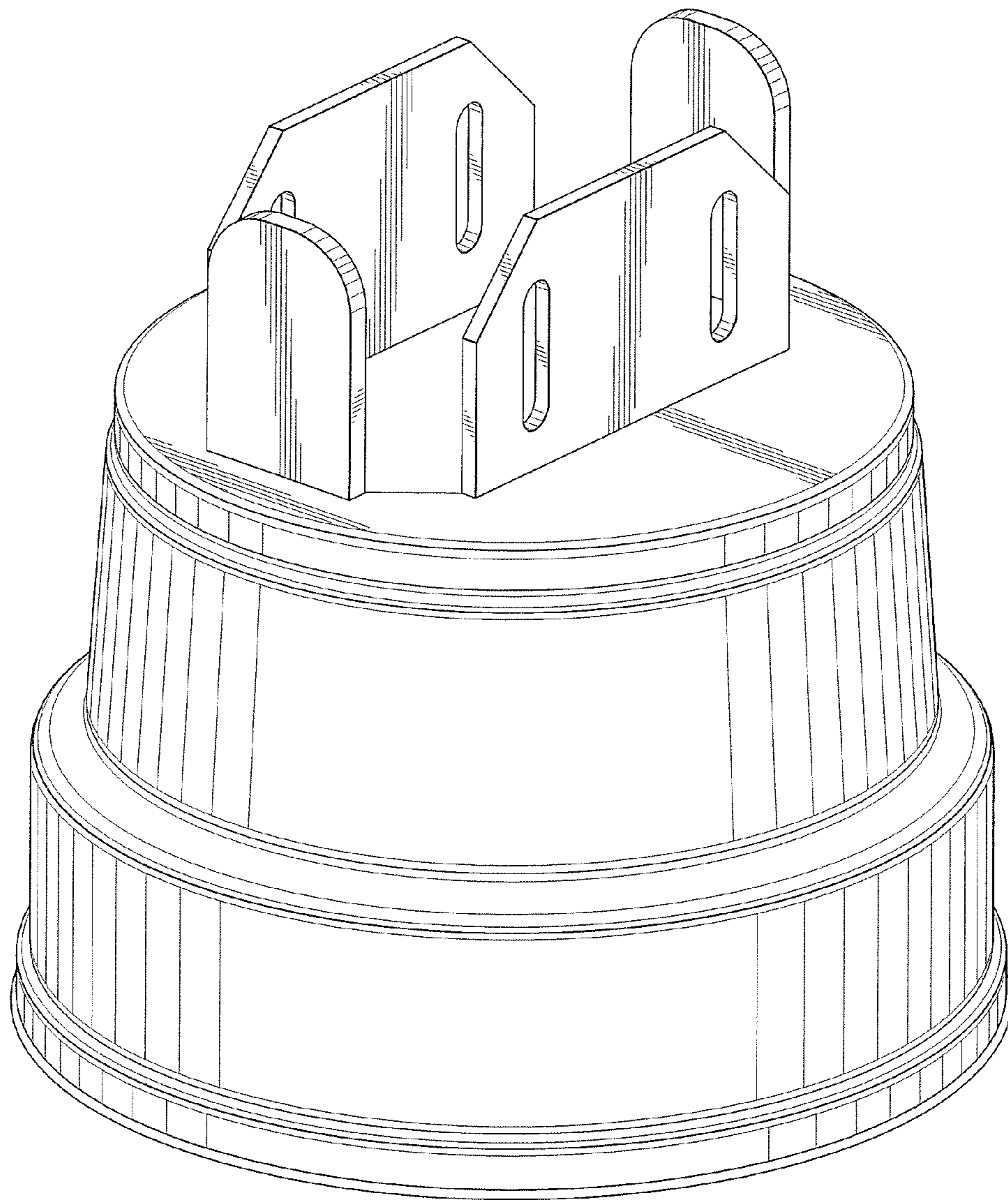
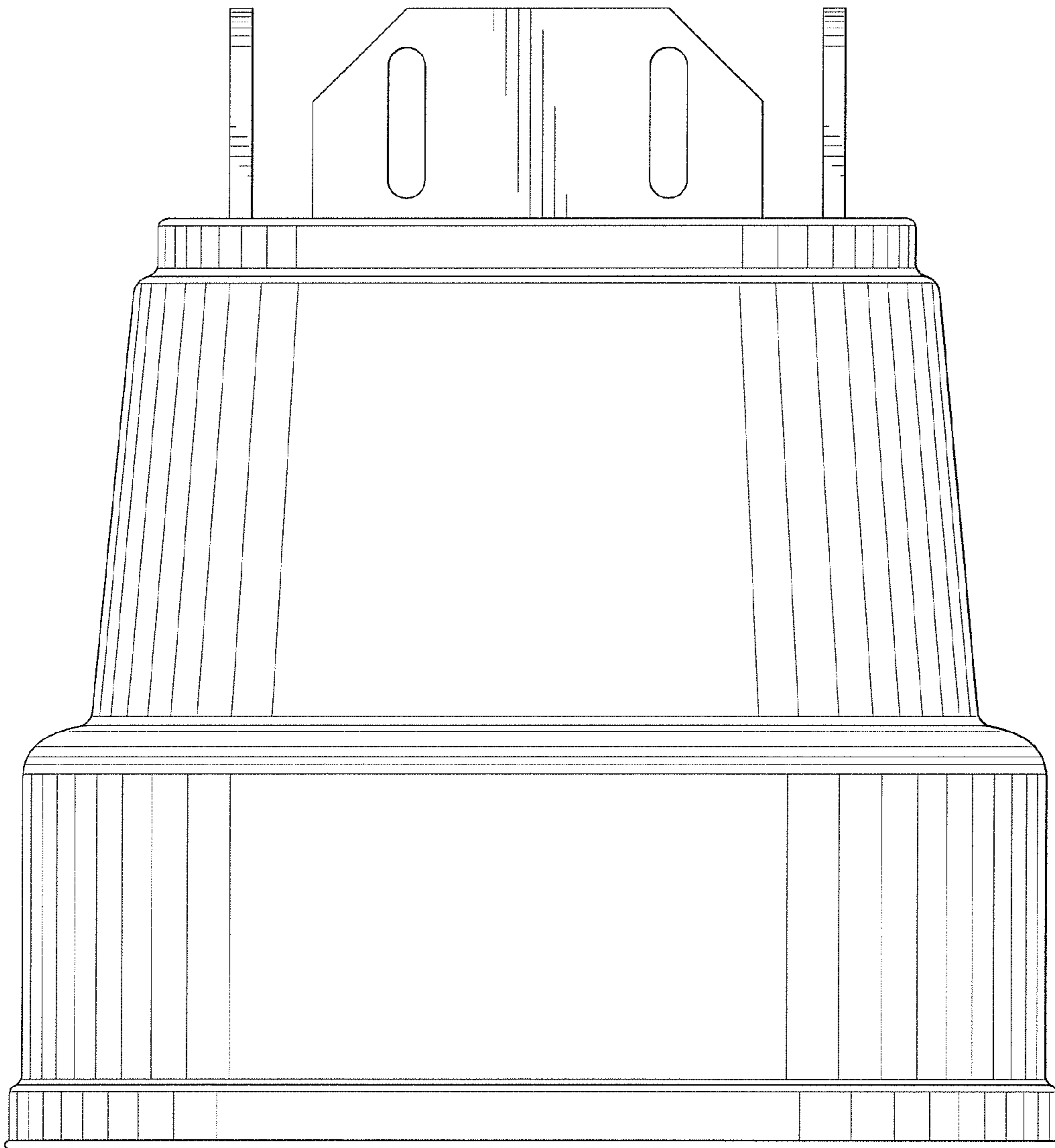


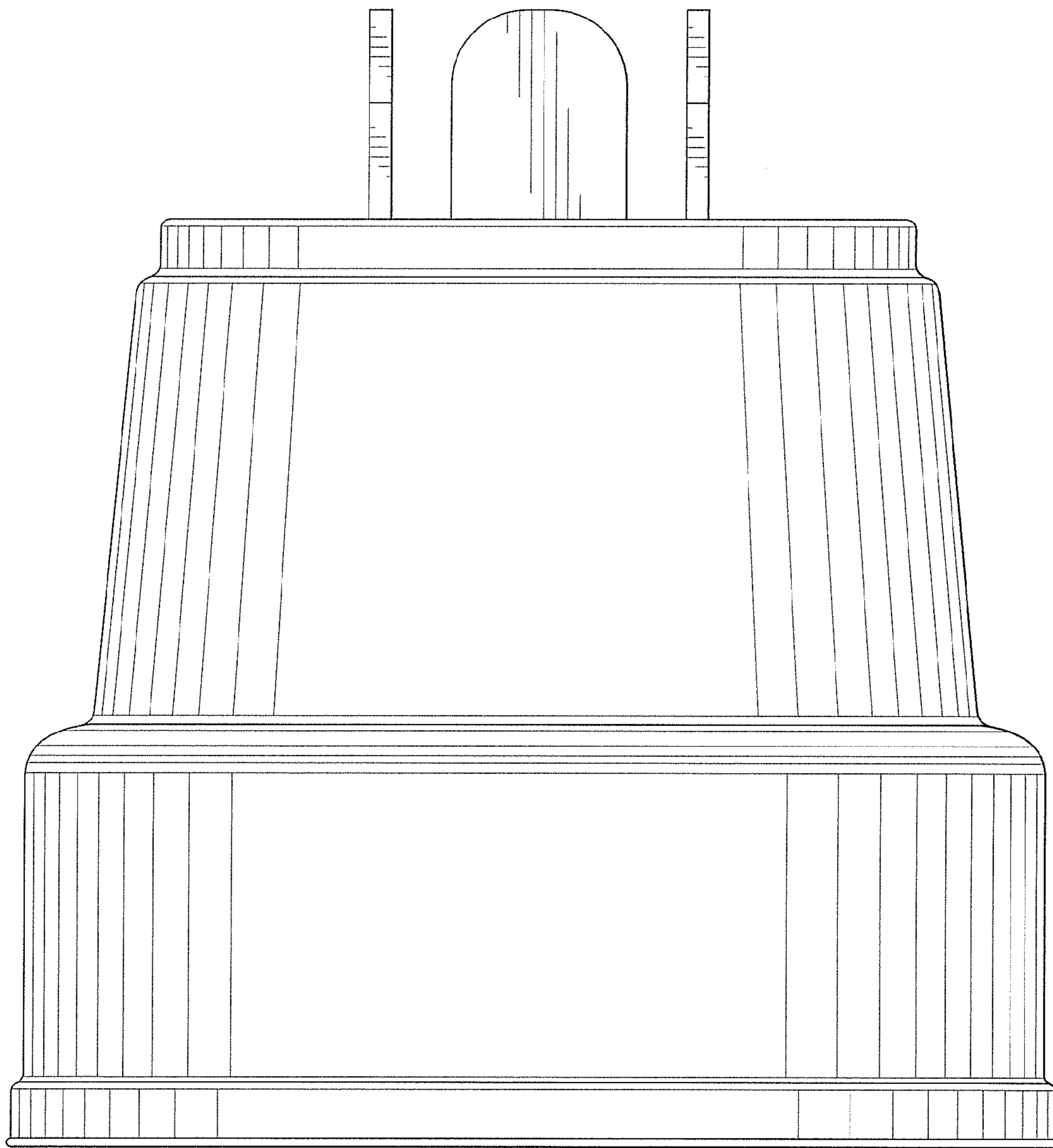
FIG. 1



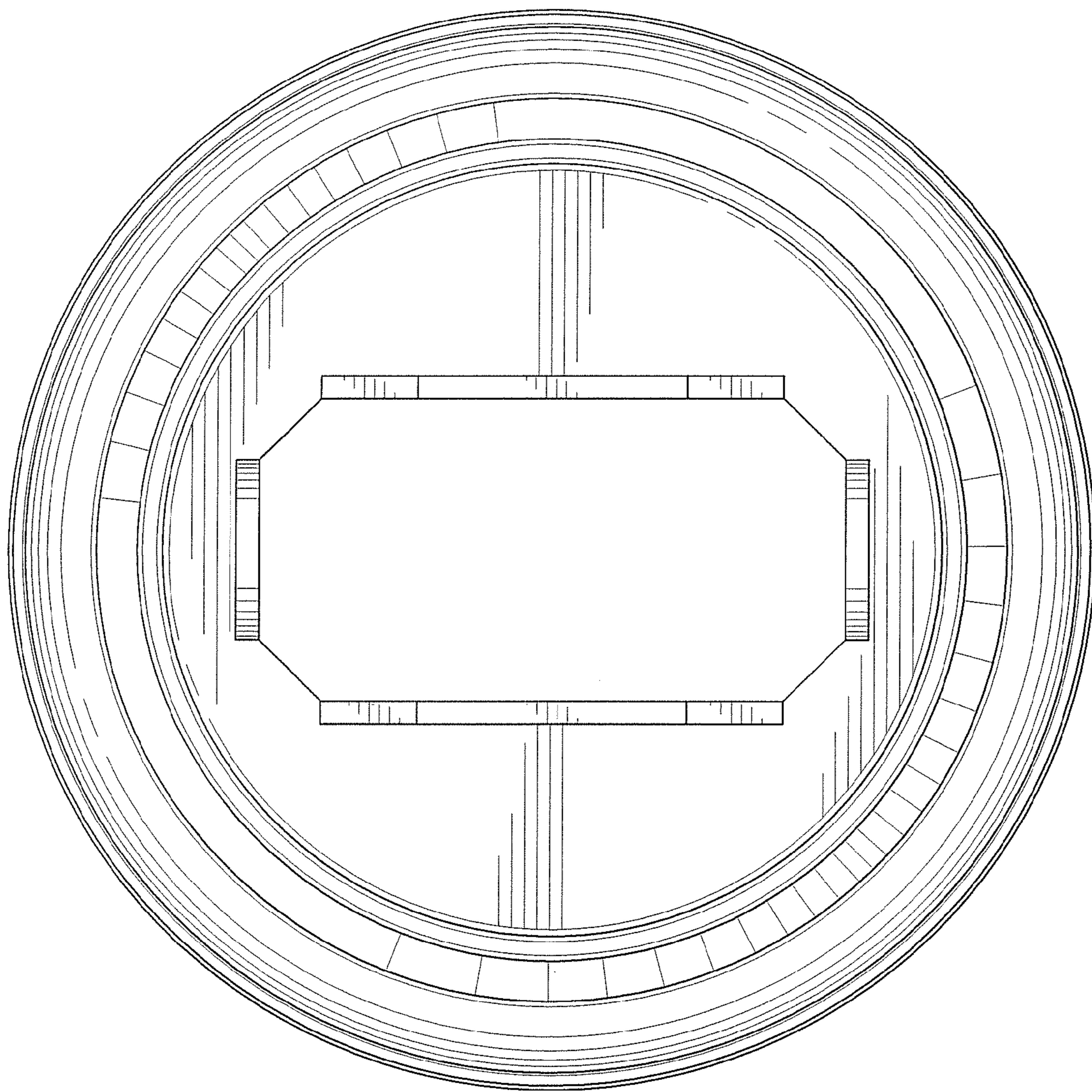
*FIG. 2*



*FIG. 3*



*FIG. 4*



*FIG. 5*

