



US00D717358S

(12) **United States Design Patent**
Go et al.

(10) **Patent No.:** **US D717,358 S**

(45) **Date of Patent:** **** Nov. 11, 2014**

(54) **PROJECTOR**

(71) Applicant: **LG Electronics Inc.**, Seoul (KR)

(72) Inventors: **Jaesung Go**, Gunpo-si (KR);
Myungwhoon Lee, Seoul (KR); **Junki Kim**, Seoul (KR); **Sunguk Kim**, Gwacheon-si (KR)

(73) Assignee: **LG Electronics Inc.**, Seoul (KR)

(**) Term: **14 Years**

(21) Appl. No.: **29/456,041**

(22) Filed: **May 28, 2013**

(30) **Foreign Application Priority Data**

Nov. 29, 2012 (KR) 30-2012-0057380

(51) **LOC (10) Cl.** **16-02**

(52) **U.S. Cl.**
USPC **D16/230**

(58) **Field of Classification Search**
USPC D16/208, 221, 225, 229-231, 234;
D21/514; 353/115, 119, 122
See application file for complete search history.

(56) **References Cited**

U.S. PATENT DOCUMENTS

6,231,191 B1 * 5/2001 Shiraiishi et al. 353/119
6,652,104 B2 * 11/2003 Nishida et al. 353/119

6,981,770 B2 * 1/2006 Murai et al. 353/119
7,021,775 B2 * 4/2006 Sample 353/119
D602,062 S * 10/2009 Tatara D16/230
7,754,982 B2 * 7/2010 Zhou et al. 353/119
8,052,288 B2 * 11/2011 Seki 353/119
D687,084 S * 7/2013 Lim et al. D16/230

* cited by examiner

Primary Examiner — Wan Laymon

(74) *Attorney, Agent, or Firm* — Birch, Stewart, Kolasch & Birch, LLP

(57) **CLAIM**

The ornamental design for a projector, as shown and described.

DESCRIPTION

FIG. 1 is a perspective view of a projector showing our new design showing the state that the cover on the top side is closed;
FIG. 2 is a front view thereof;
FIG. 3 is a rear view thereof;
FIG. 4 is a left side view thereof;
FIG. 5 is a right side view thereof;
FIG. 6 is a top plan view thereof;
FIG. 7 is a bottom plan view thereof;
FIG. 8 is a perspective view thereof showing the state that the cover on the top side is opened; and,
FIG. 9 is a top plan view of FIG. 8.

1 Claim, 7 Drawing Sheets

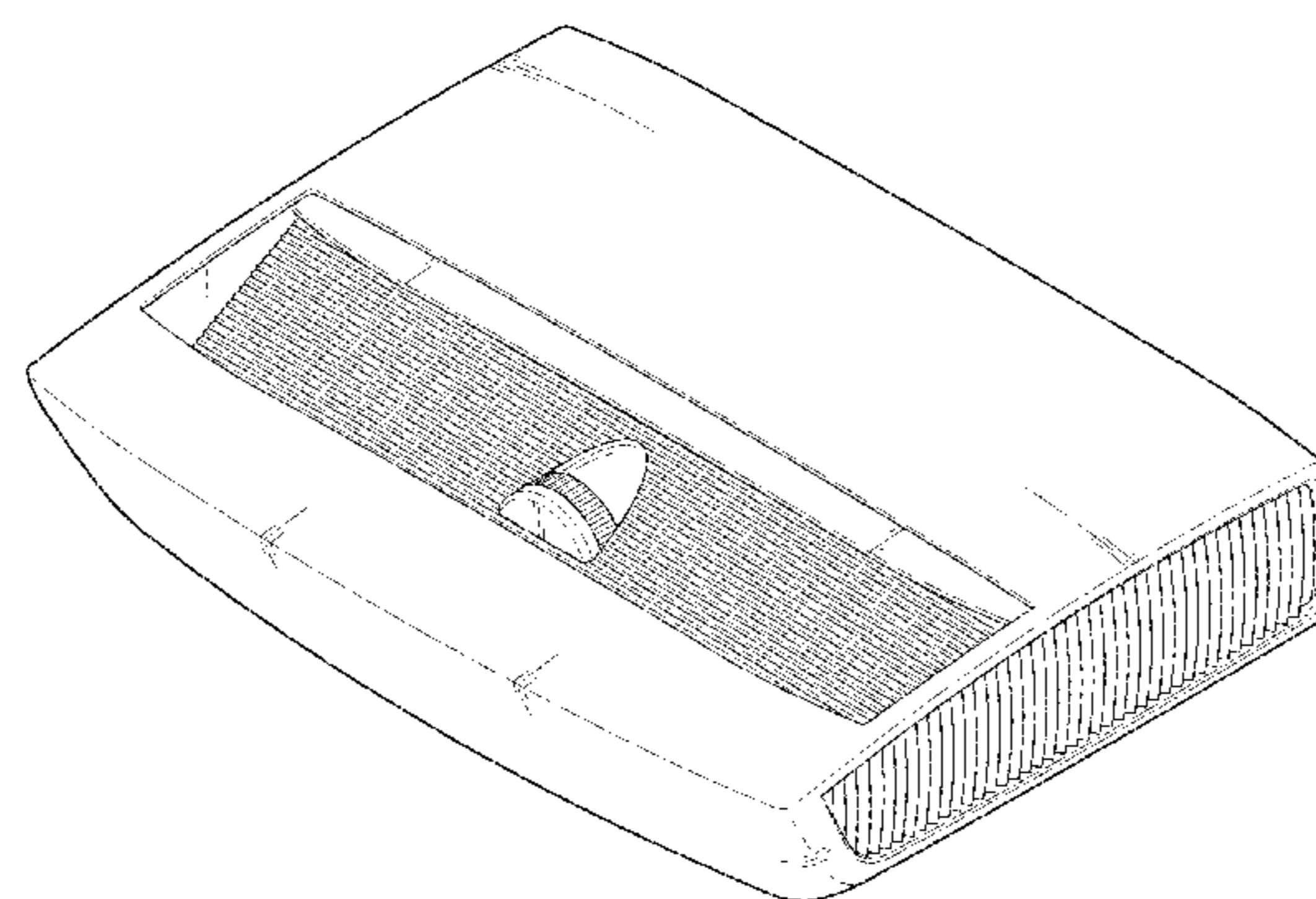
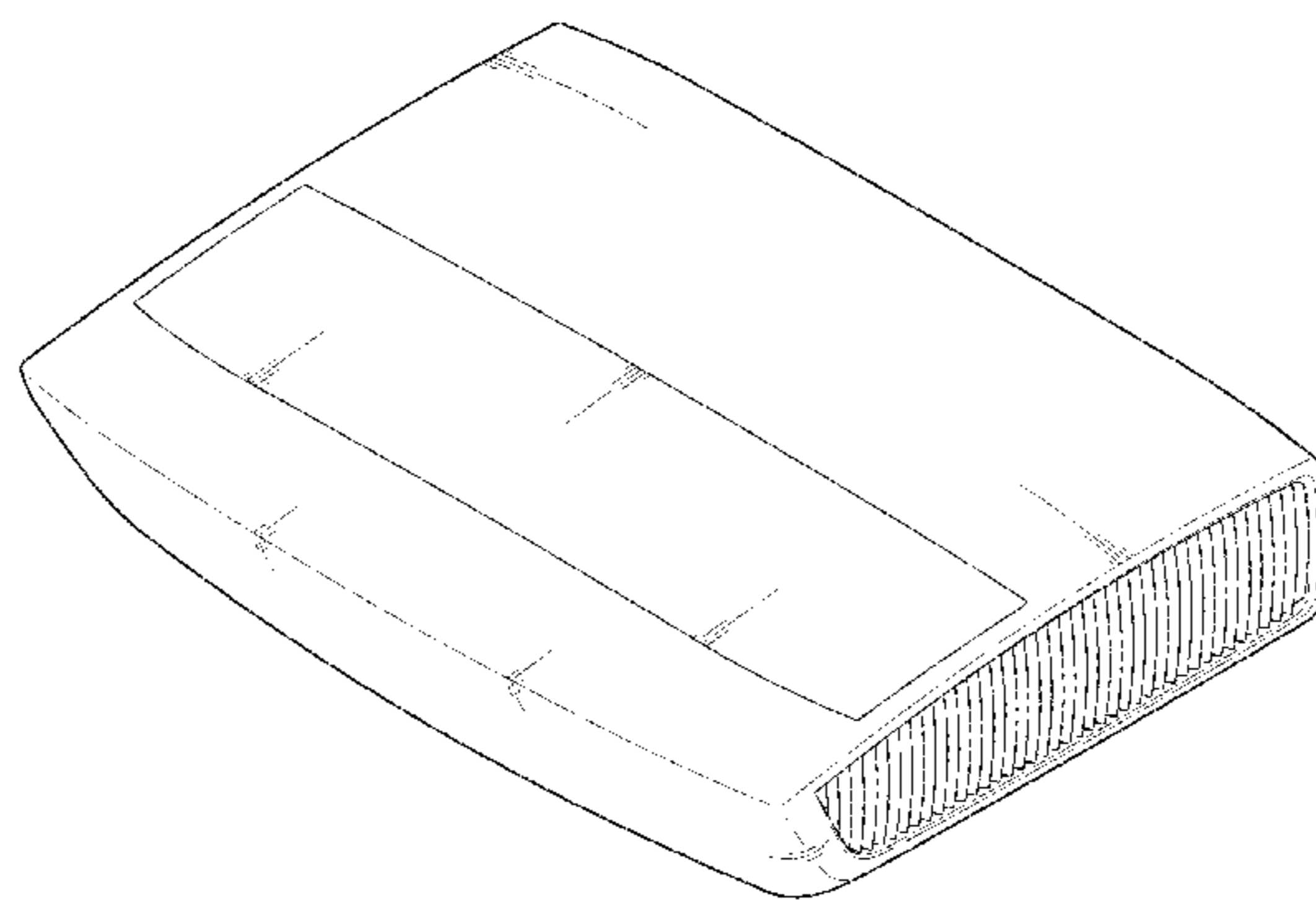


FIG. 1

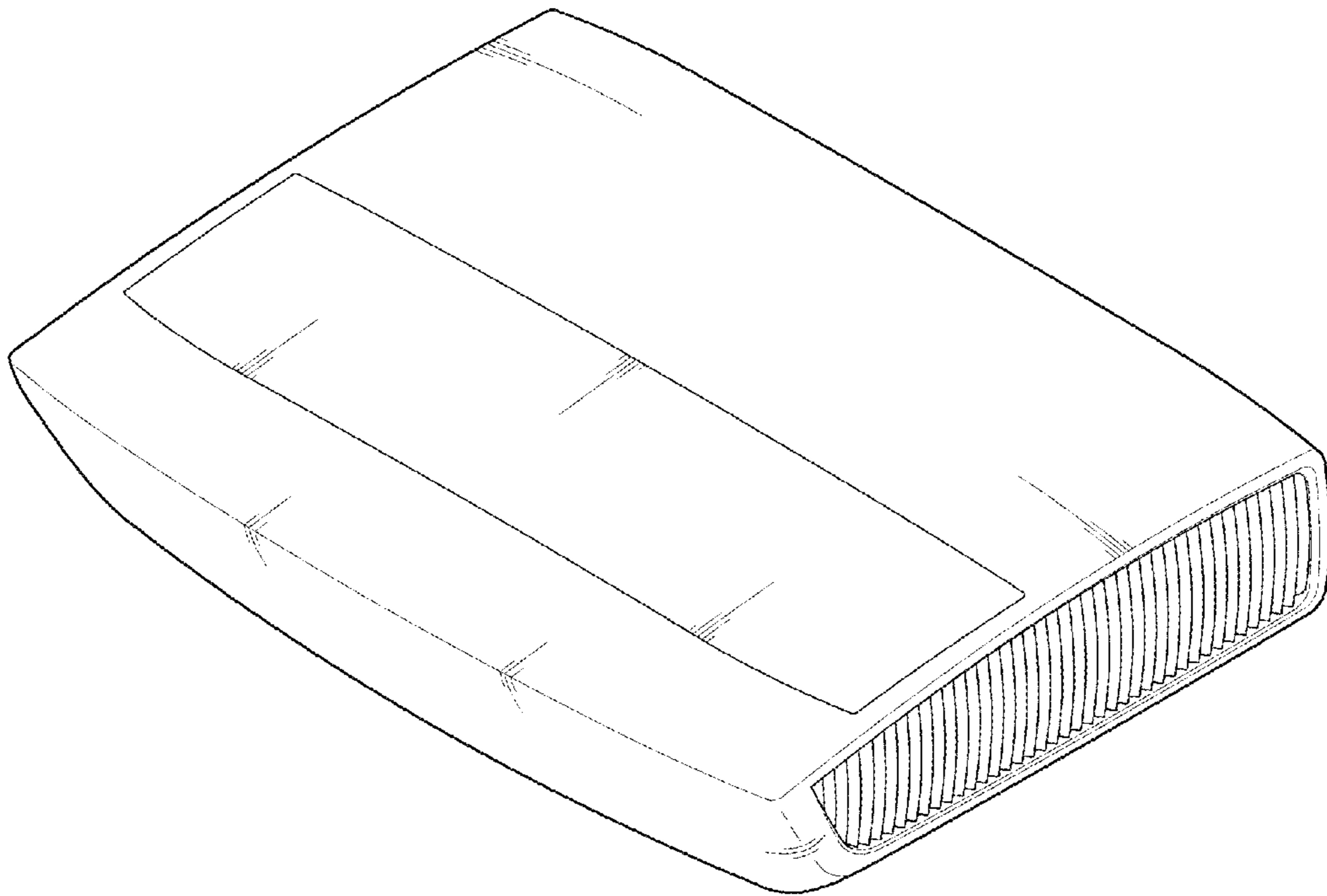


FIG. 2

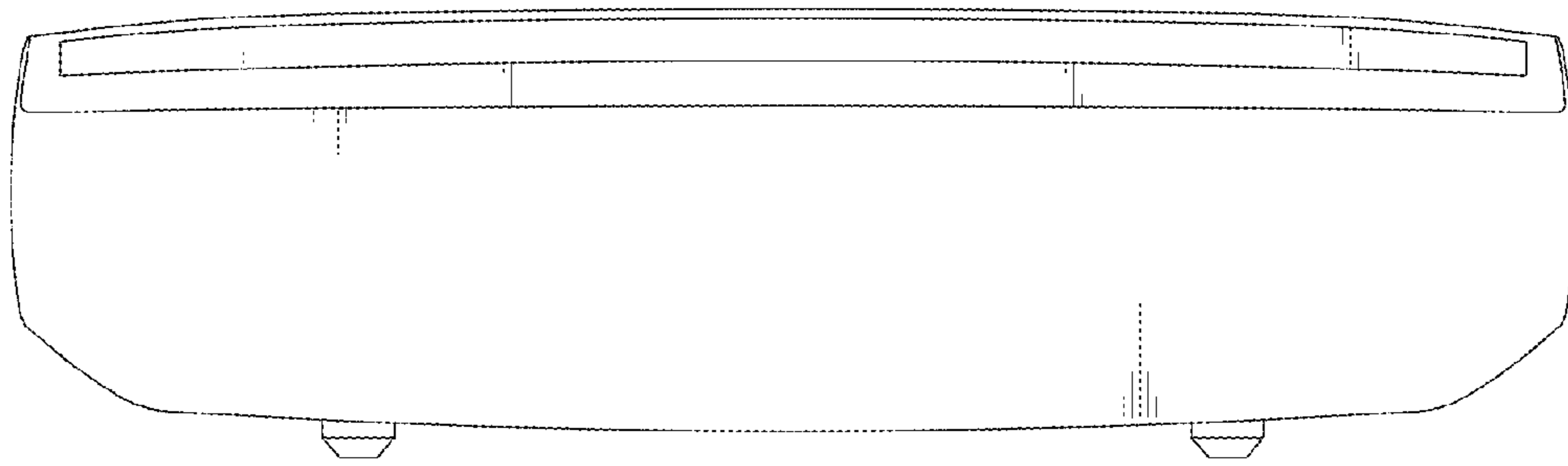


FIG. 3

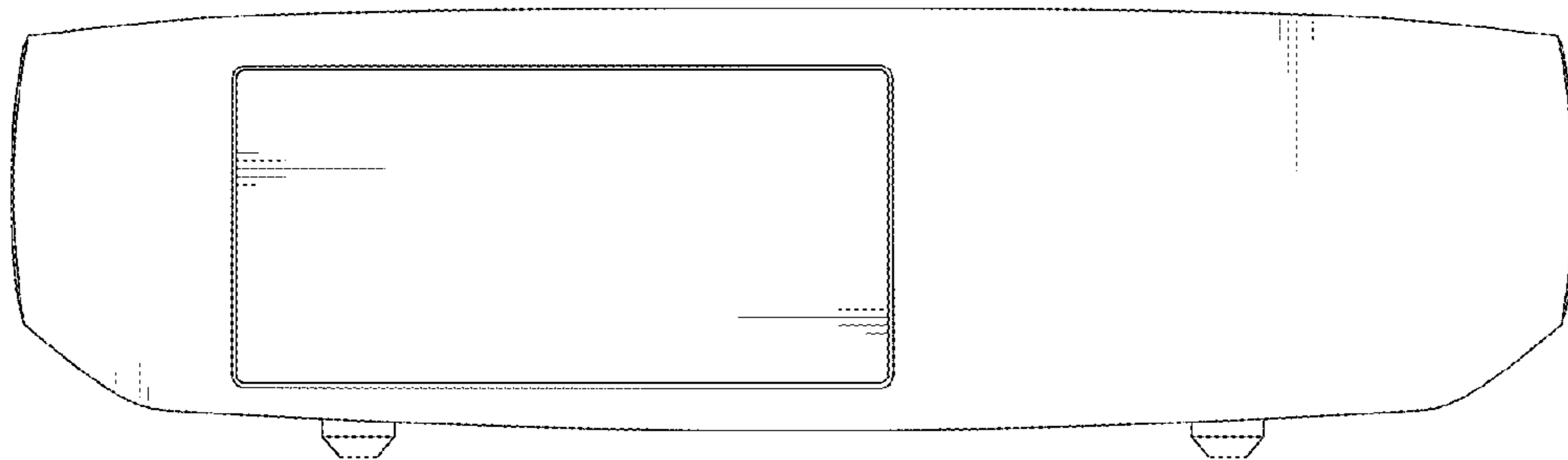


FIG. 4

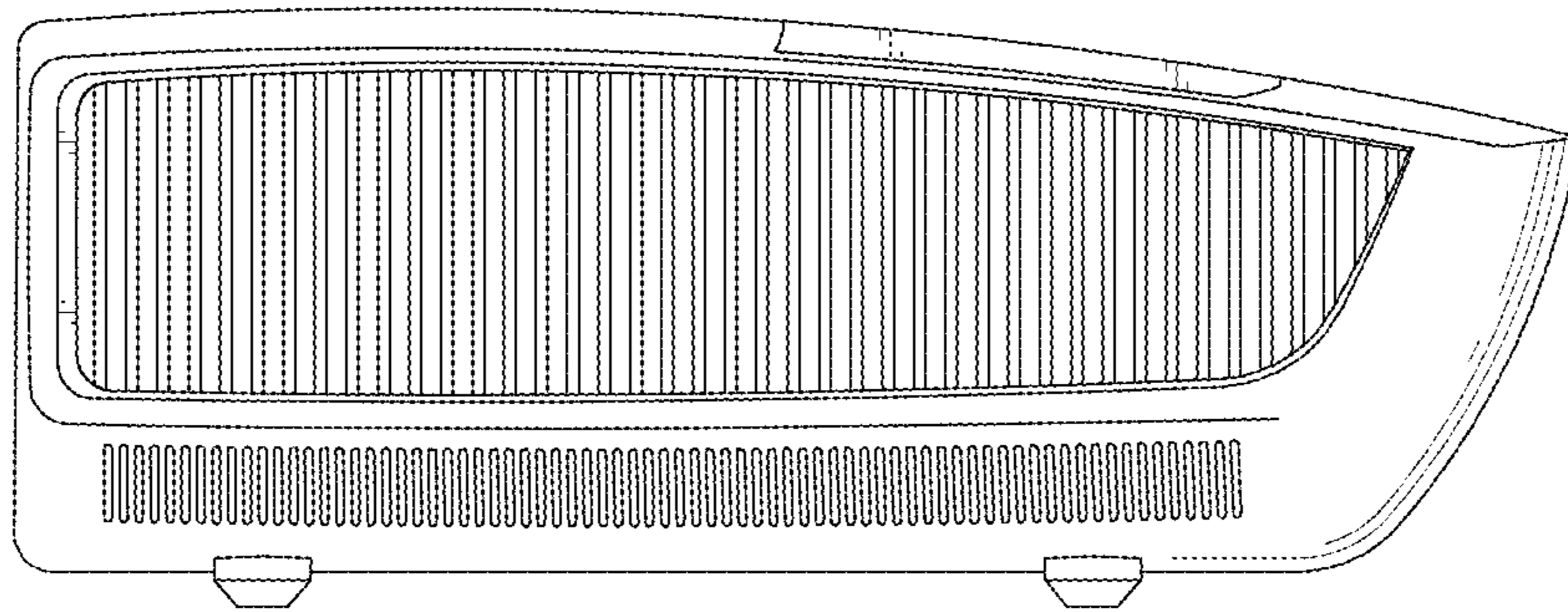


FIG. 5

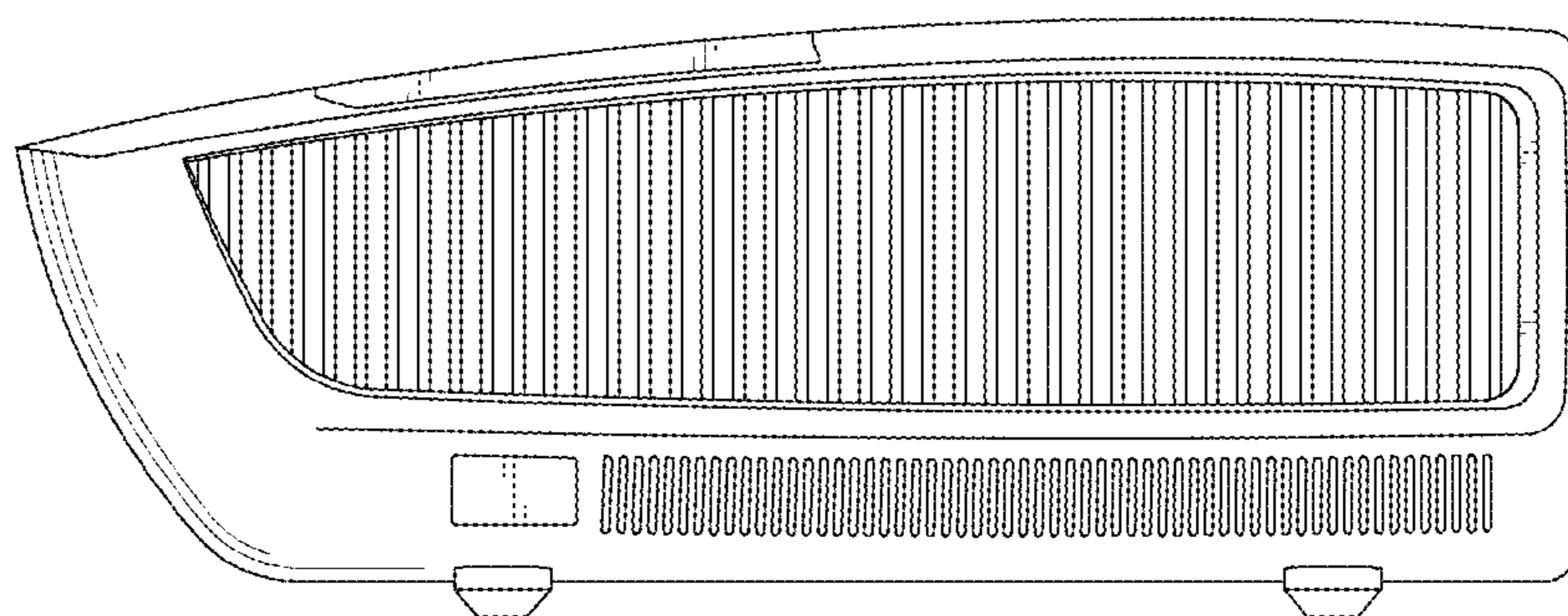


FIG. 6

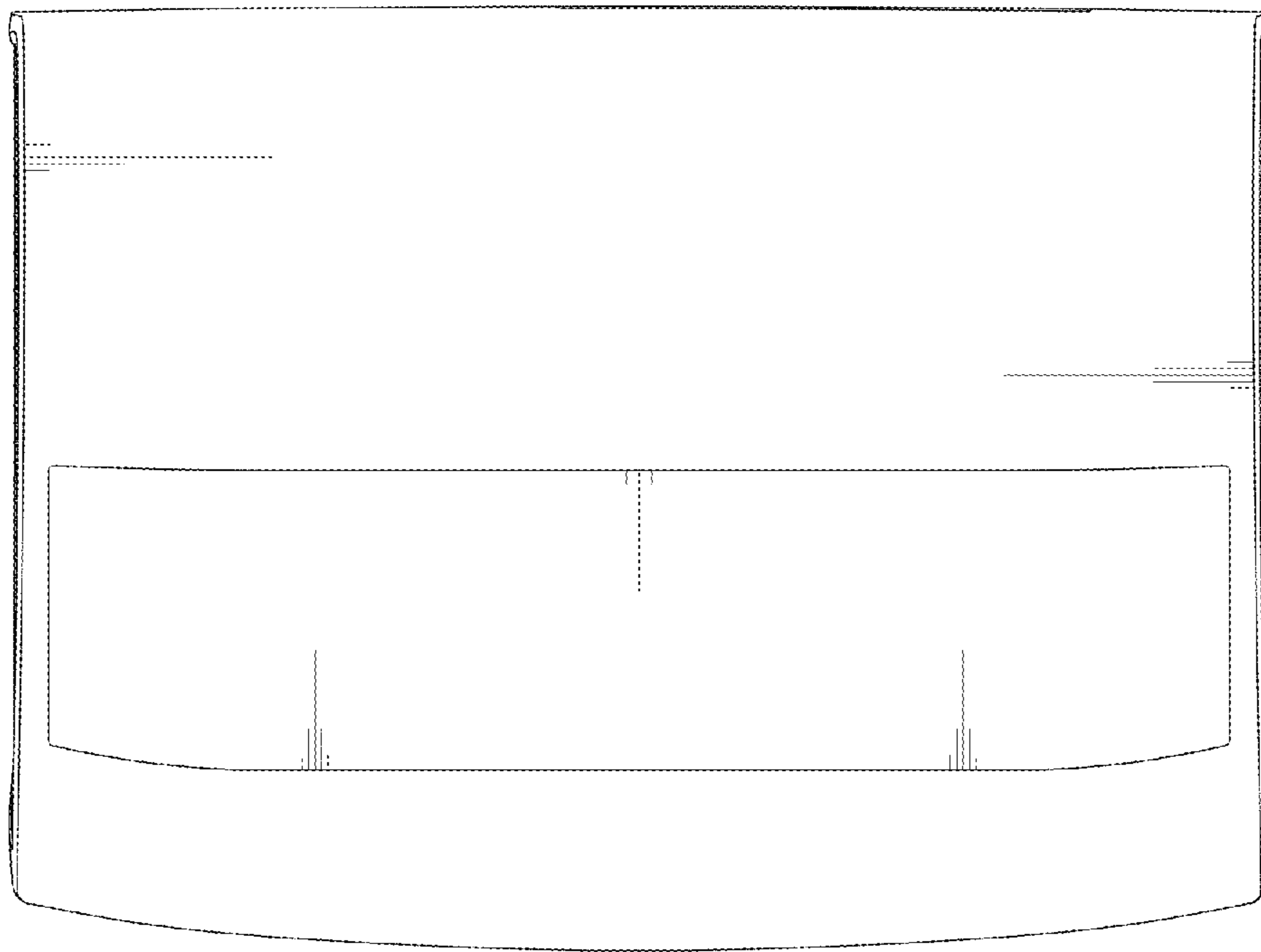


FIG. 7

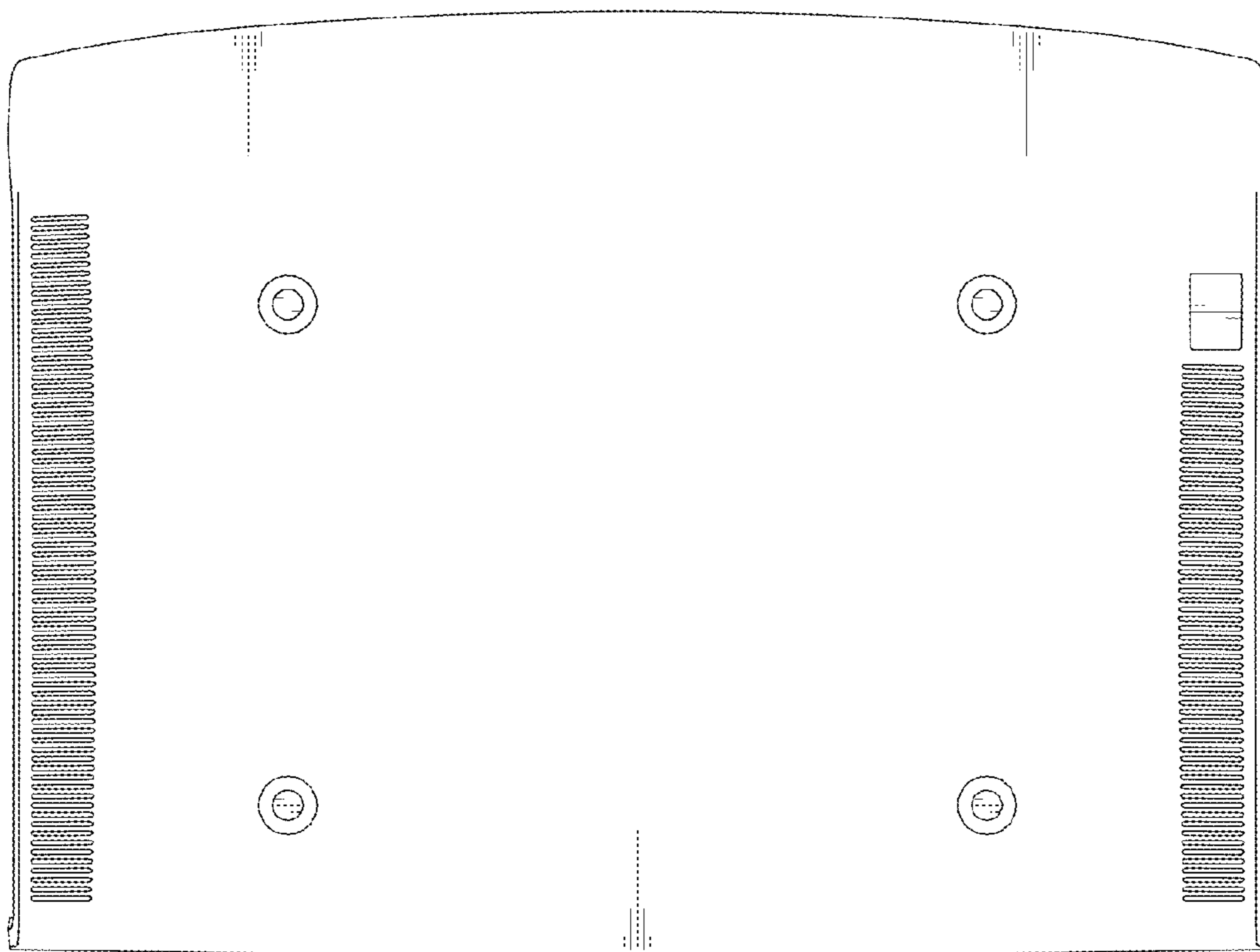


FIG. 8

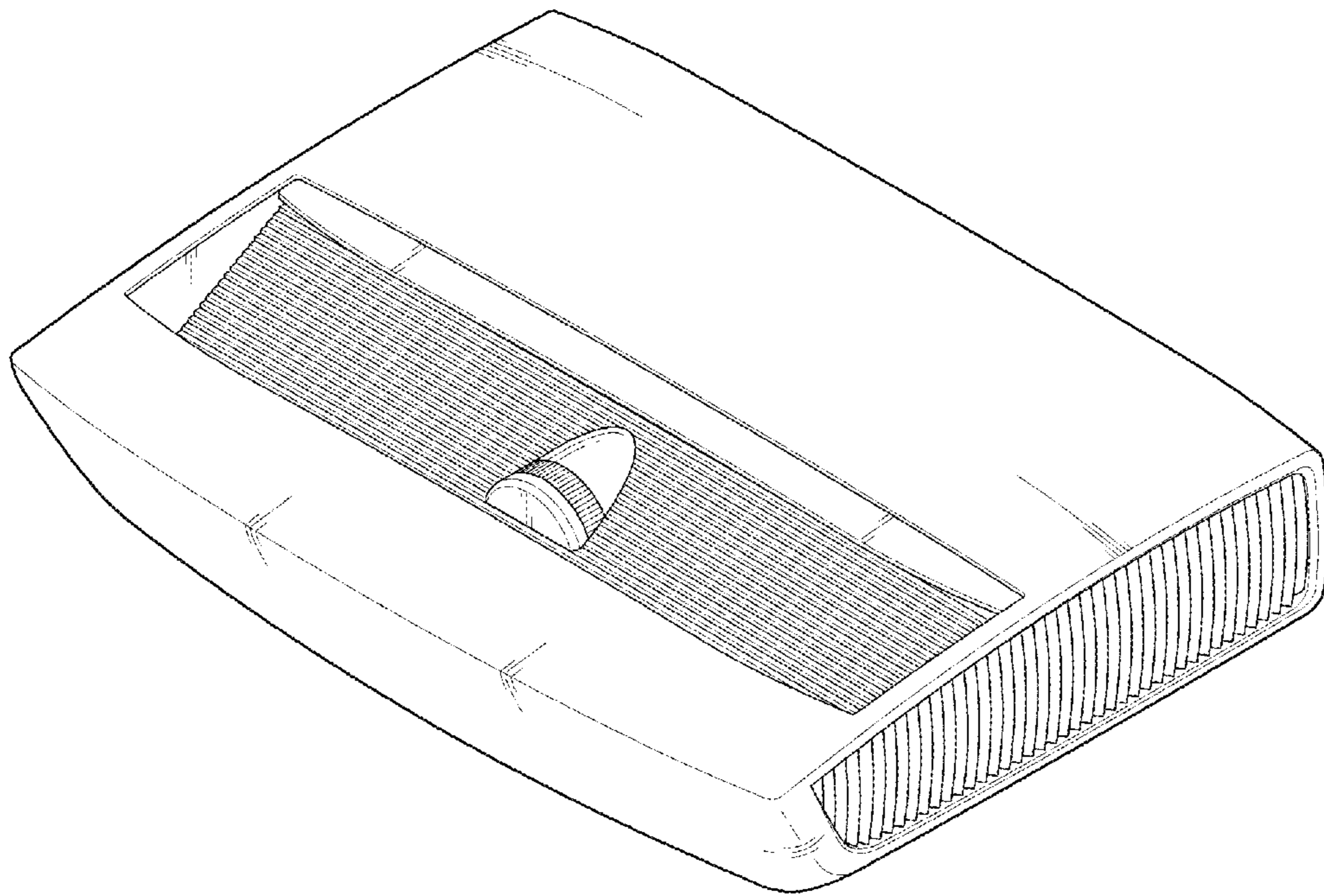


FIG. 9

