



US00D717357S

(12) **United States Design Patent**  
**Nakanishi**

(10) **Patent No.:** **US D717,357 S**

(45) **Date of Patent:** **\*\* Nov. 11, 2014**

(54) **DISPLAY WITH PROJECTOR**

(71) Applicant: **JVC Kenwood Corporation**, Kanagawa (JP)

(72) Inventor: **Yutaka Nakanishi**, Tokyo (JP)

(73) Assignee: **JVC Kenwood Corporation**, Kanagawa (JP)

(\*\*) Term: **14 Years**

(21) Appl. No.: **29/444,499**

(22) Filed: **Jan. 31, 2013**

(30) **Foreign Application Priority Data**

Sep. 28, 2012 (JP) ..... 2012-023707

(51) **LOC (10) CL.** ..... **16-02**

(52) **U.S. CL.**  
USPC ..... **D16/225**; D16/229

(58) **Field of Classification Search**  
USPC ..... D16/203, 205, 208, 221, 225, 229–231,  
D16/234–235, 202; D21/514; D6/309;  
D20/10; D26/68; 353/62, 97, 115, 119,  
353/122, 61; 362/186, 269

See application file for complete search history.

(56) **References Cited**

U.S. PATENT DOCUMENTS

D223,408	S	*	4/1972	da Baggio et al.	.....	D16/231
3,667,837	A		6/1972	Agrati et al.		
5,151,802	A		9/1992	Couturier		
D356,118	S		3/1995	Willitts, Jr.		
D379,375	S		5/1997	Bowman		
D387,788	S	*	12/1997	Jeong et al.	.....	D16/202
D392,299	S	*	3/1998	Lin	.....	D16/202
D432,151	S	*	10/2000	Kawashima	.....	D16/202
6,409,351	B1		6/2002	Ligon		
6,485,165	B1		11/2002	Ho		
6,527,555	B1		3/2003	Storm		

6,720,956	B1		4/2004	Honma et al.		
6,769,778	B1		8/2004	Lloyd		
6,937,125	B1		8/2005	French		
6,966,655	B2	*	11/2005	Hara et al.	.....	353/61
D518,081	S		3/2006	Peard et al.		
7,018,053	B2	*	3/2006	Dwyer et al.	.....	353/119
7,149,152	B1		12/2006	Chan		
D662,534	S	*	6/2012	Chang	.....	D16/225
2001/0045920	A1		11/2001	Hall et al.		
2005/0017924	A1		1/2005	Utt et al.		
2005/0151938	A1		7/2005	Onaga		
2005/0275813	A1		12/2005	Yamazaki		
2006/0256113	A1		11/2006	Grover et al.		
2007/0247439	A1		10/2007	Daniel et al.		
2008/0084542	A1		4/2008	Lalley et al.		
2009/0027381	A1		1/2009	Lee		
2009/0189917	A1		7/2009	Benko et al.		
2010/0182145	A1		7/2010	Ungari		
2011/0068999	A1		3/2011	Street		
2011/0199286	A1		8/2011	Dziama		

\* cited by examiner

Primary Examiner — Wan Laymon

(74) *Attorney, Agent, or Firm* — Osha Liang LLP

(57) **CLAIM**

The ornamental design for a display with a projector, as shown and described.

**DESCRIPTION**

FIG. 1 is a perspective view of front, right and top of a display with a projector according to an embodiment showing my new design;

FIG. 2 is a perspective view of rear, right and top thereof;

FIG. 3 is a front view thereof;

FIG. 4 is a rear view thereof;

FIG. 5 is a left side view thereof;

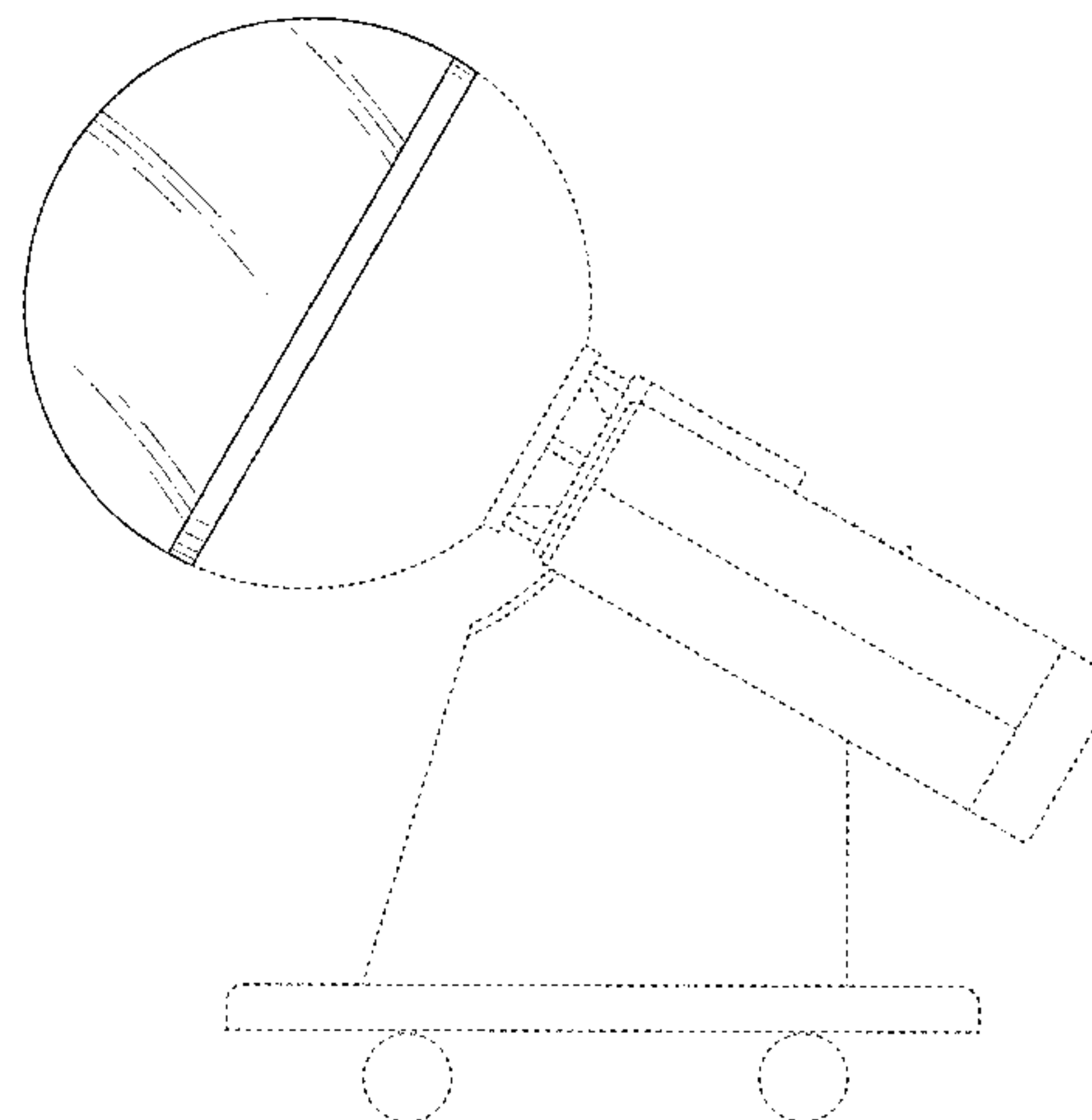
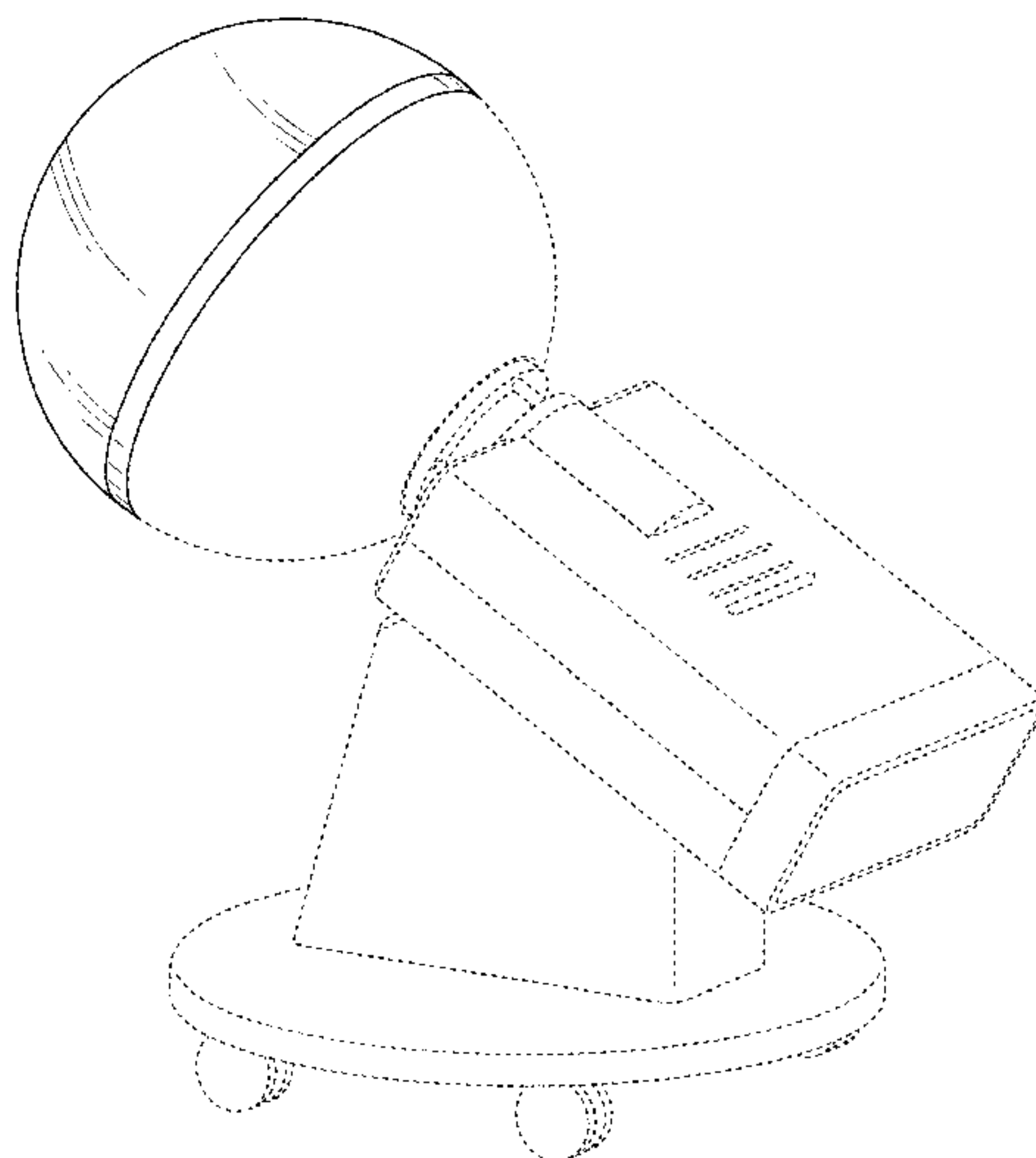
FIG. 6 is a right side view thereof;

FIG. 7 is a top view thereof; and,

FIG. 8 is a bottom view thereof.

The broken lines represent the portions of the design that form no part of the claim.

**1 Claim, 4 Drawing Sheets**



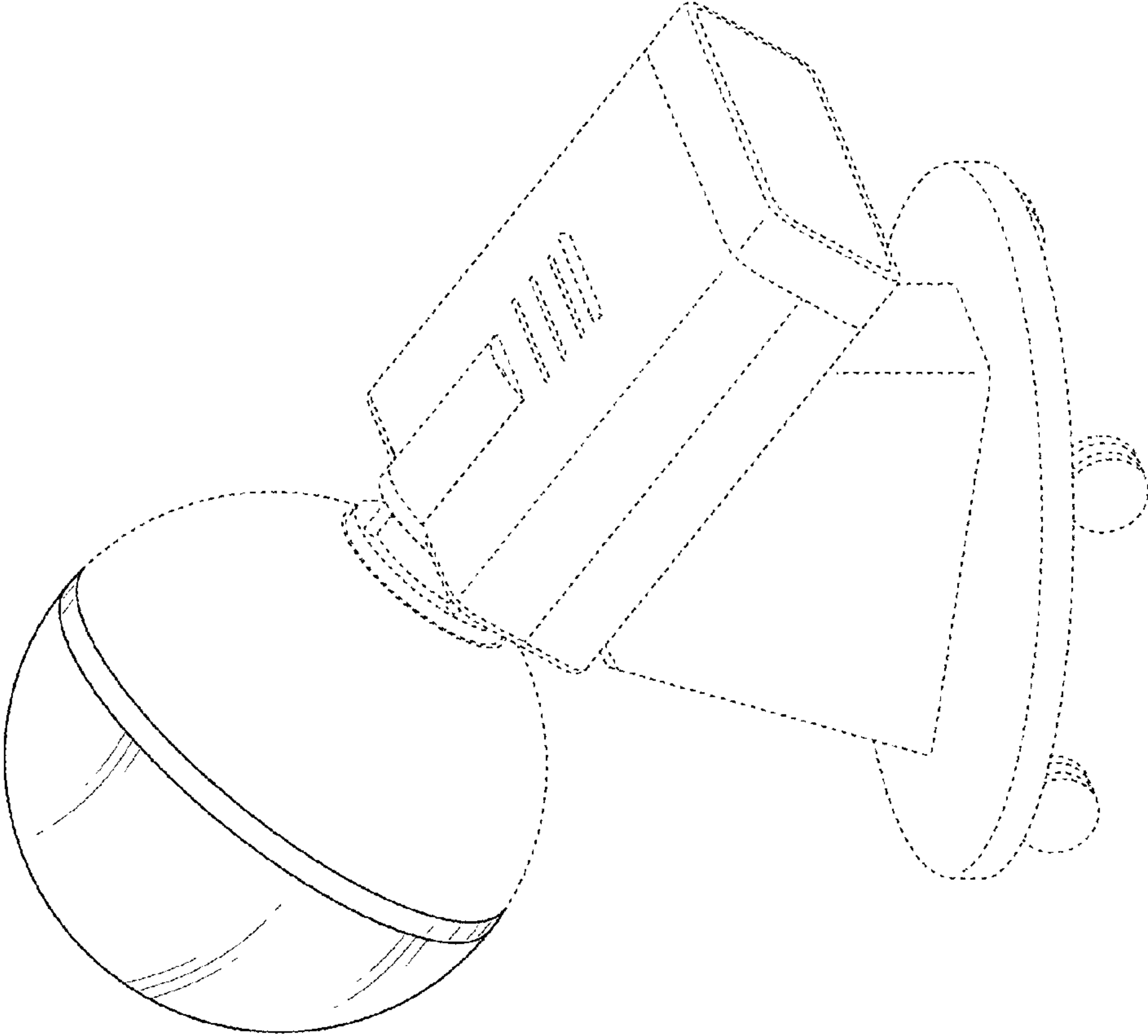


FIG. 1

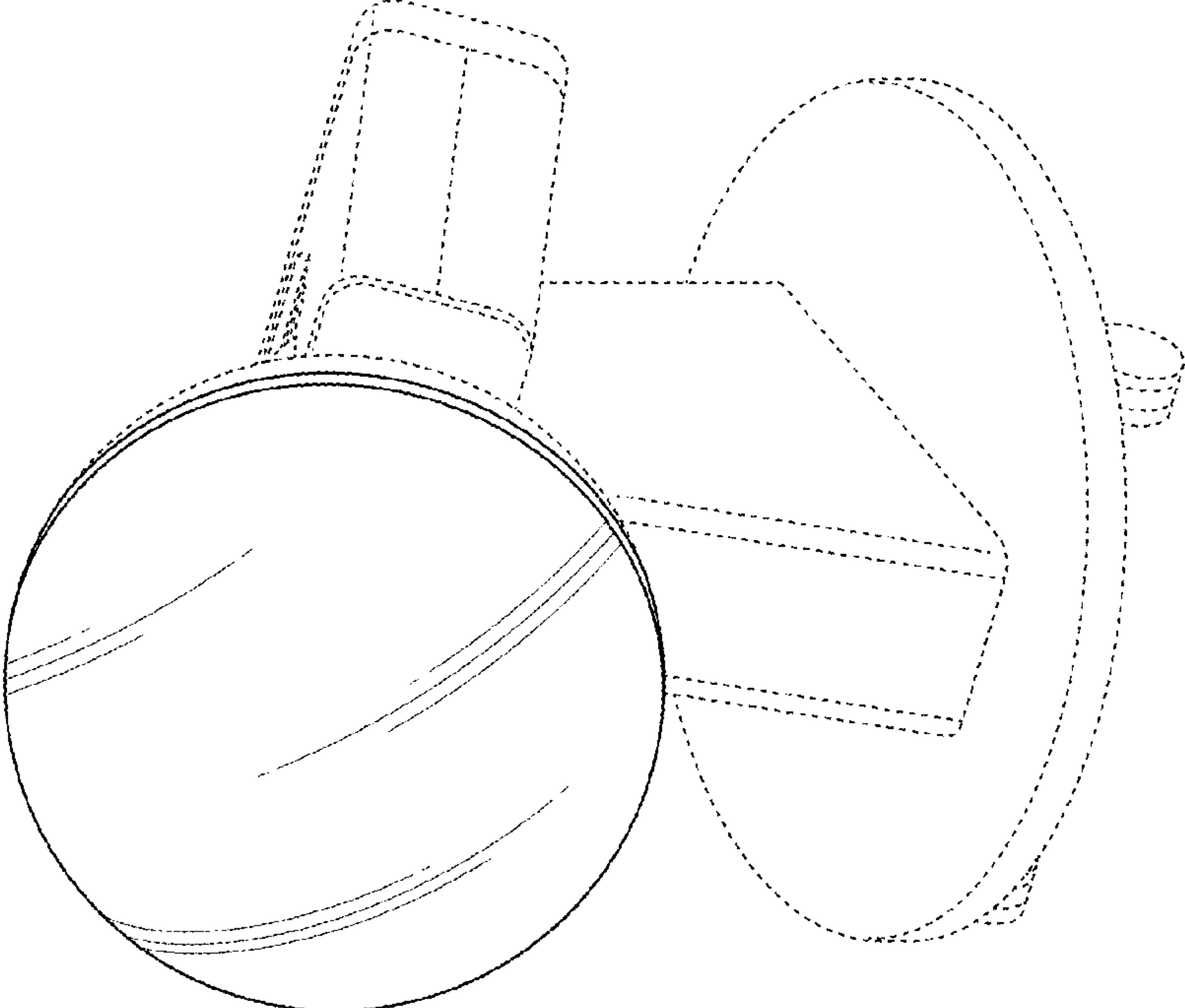


FIG. 2

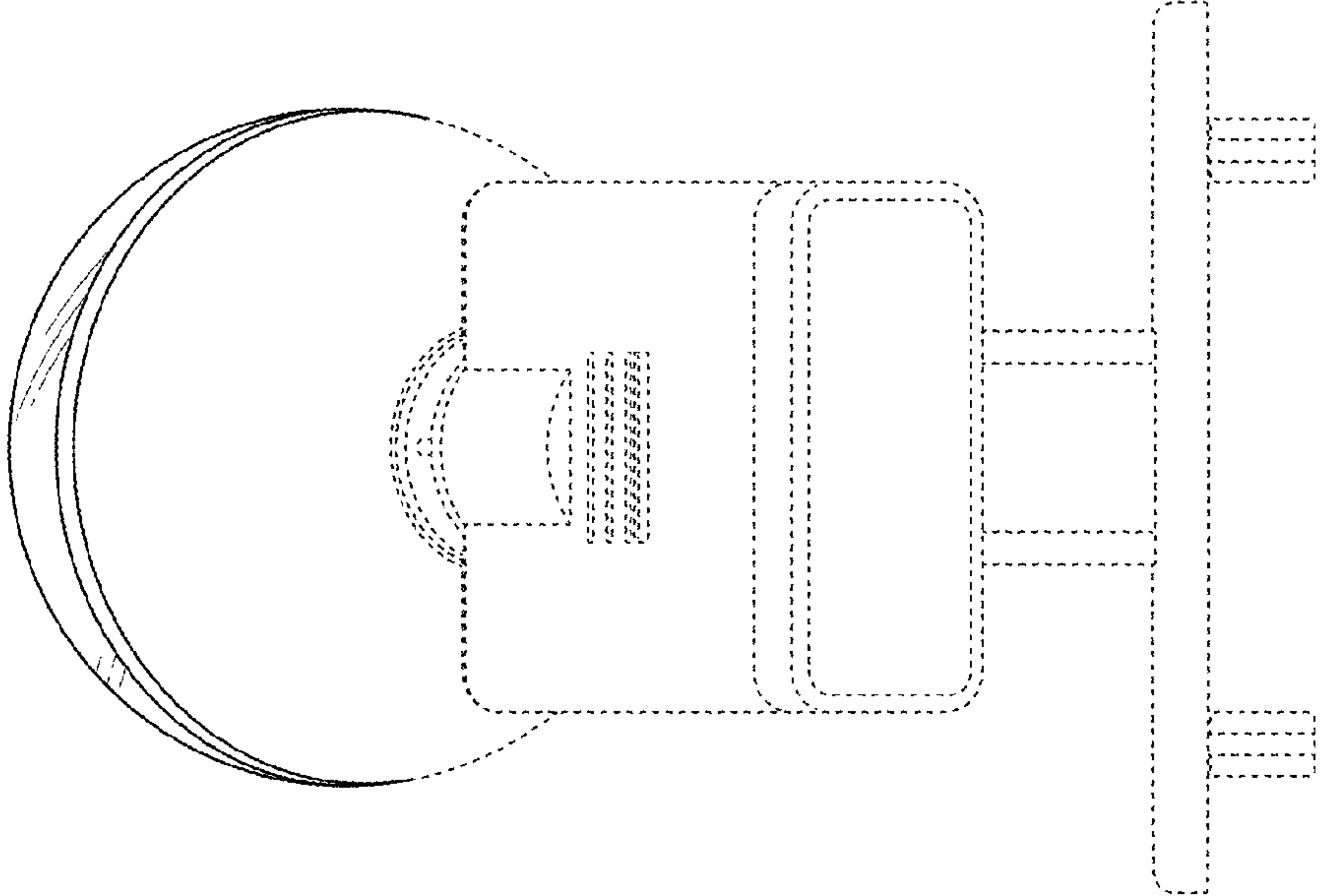


FIG. 4

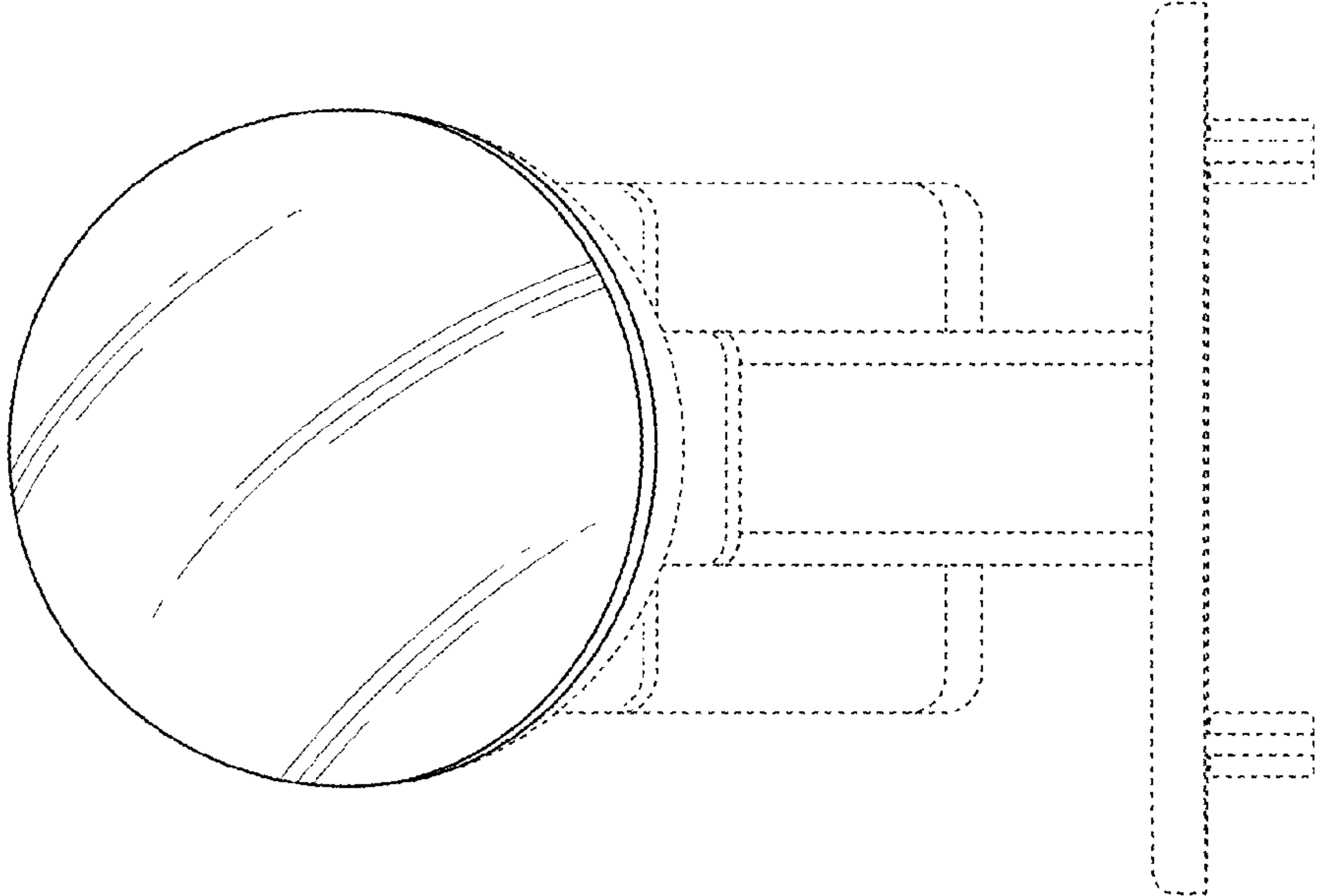


FIG. 3

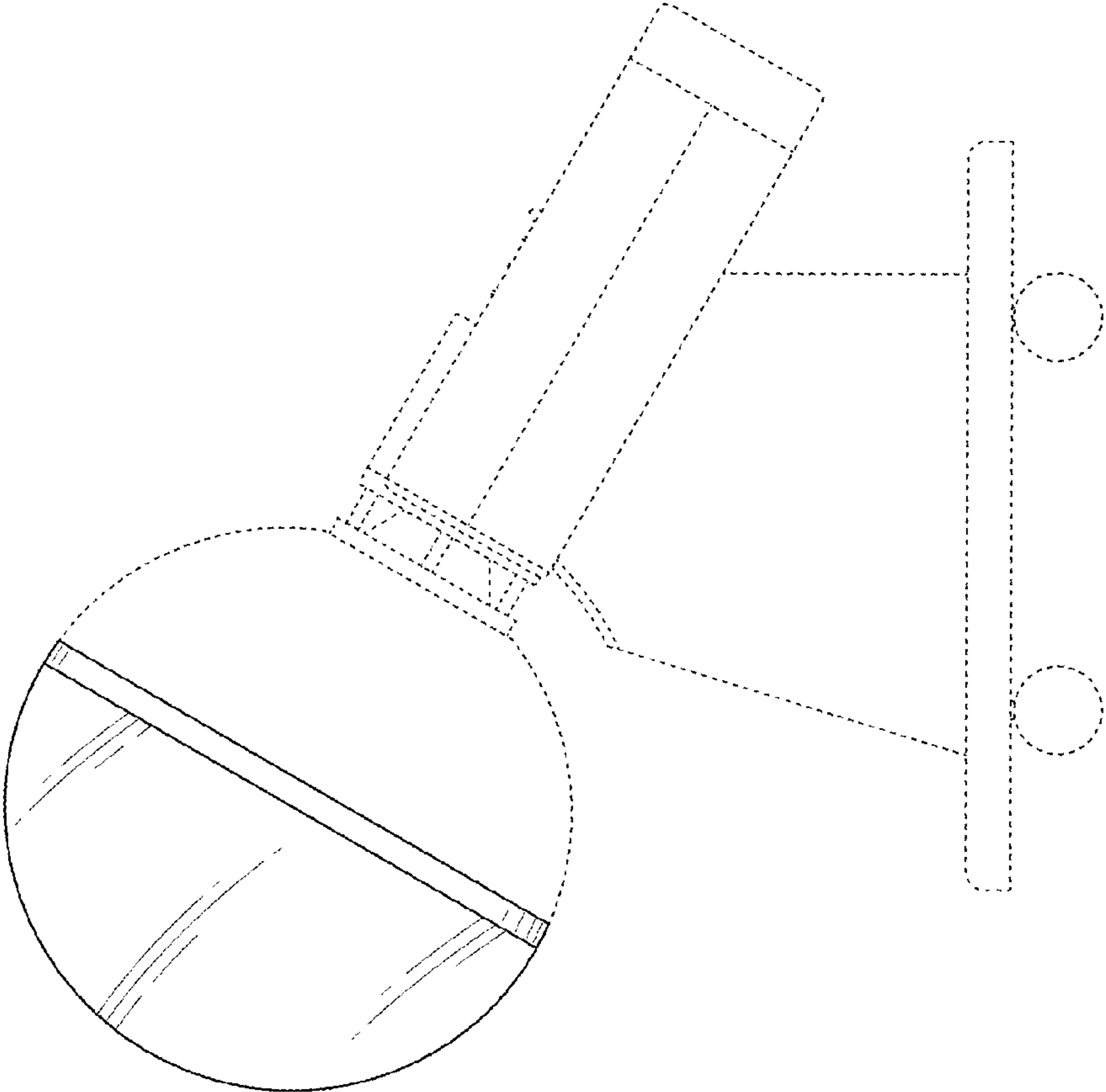


FIG. 5

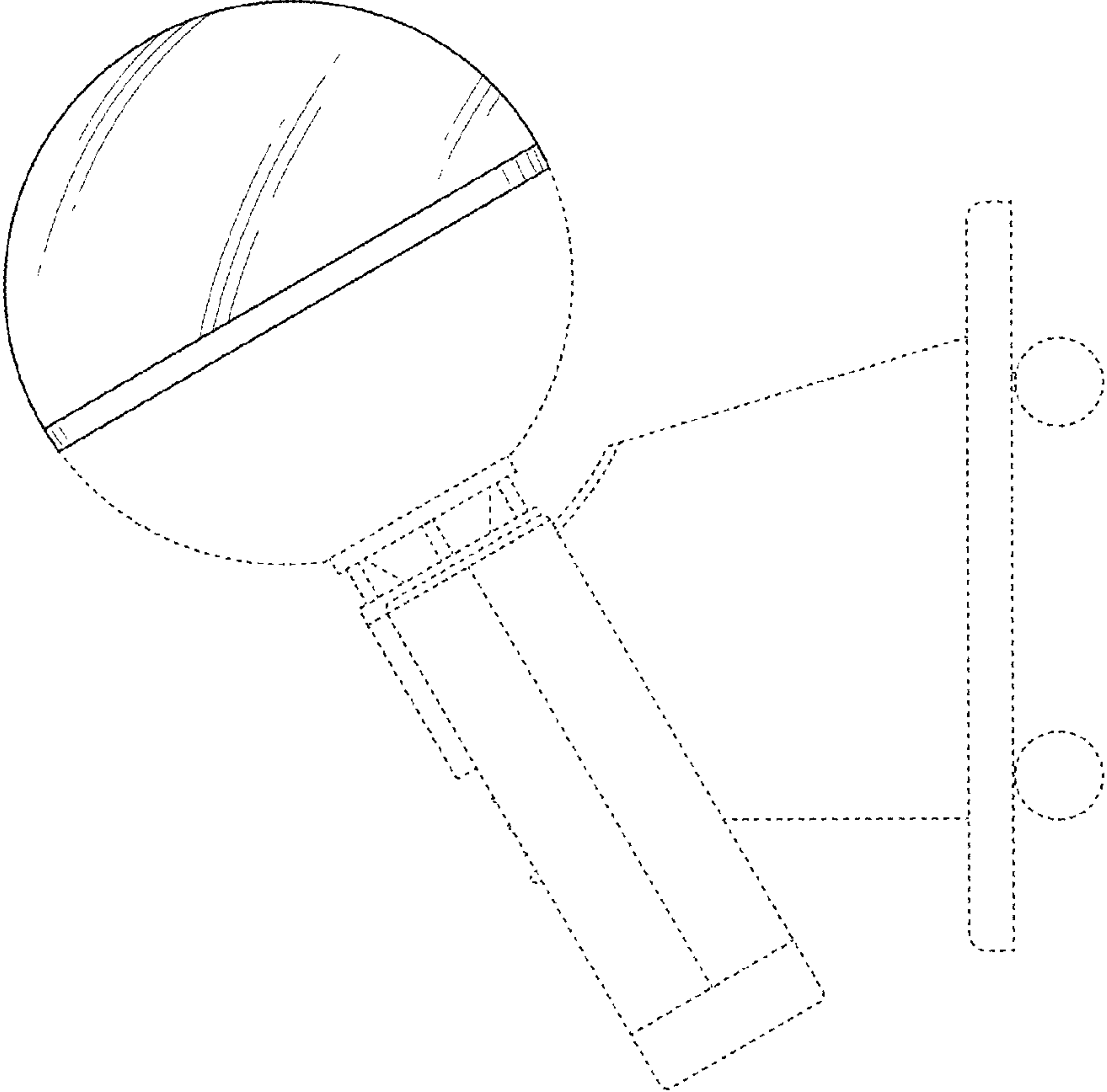


FIG. 6

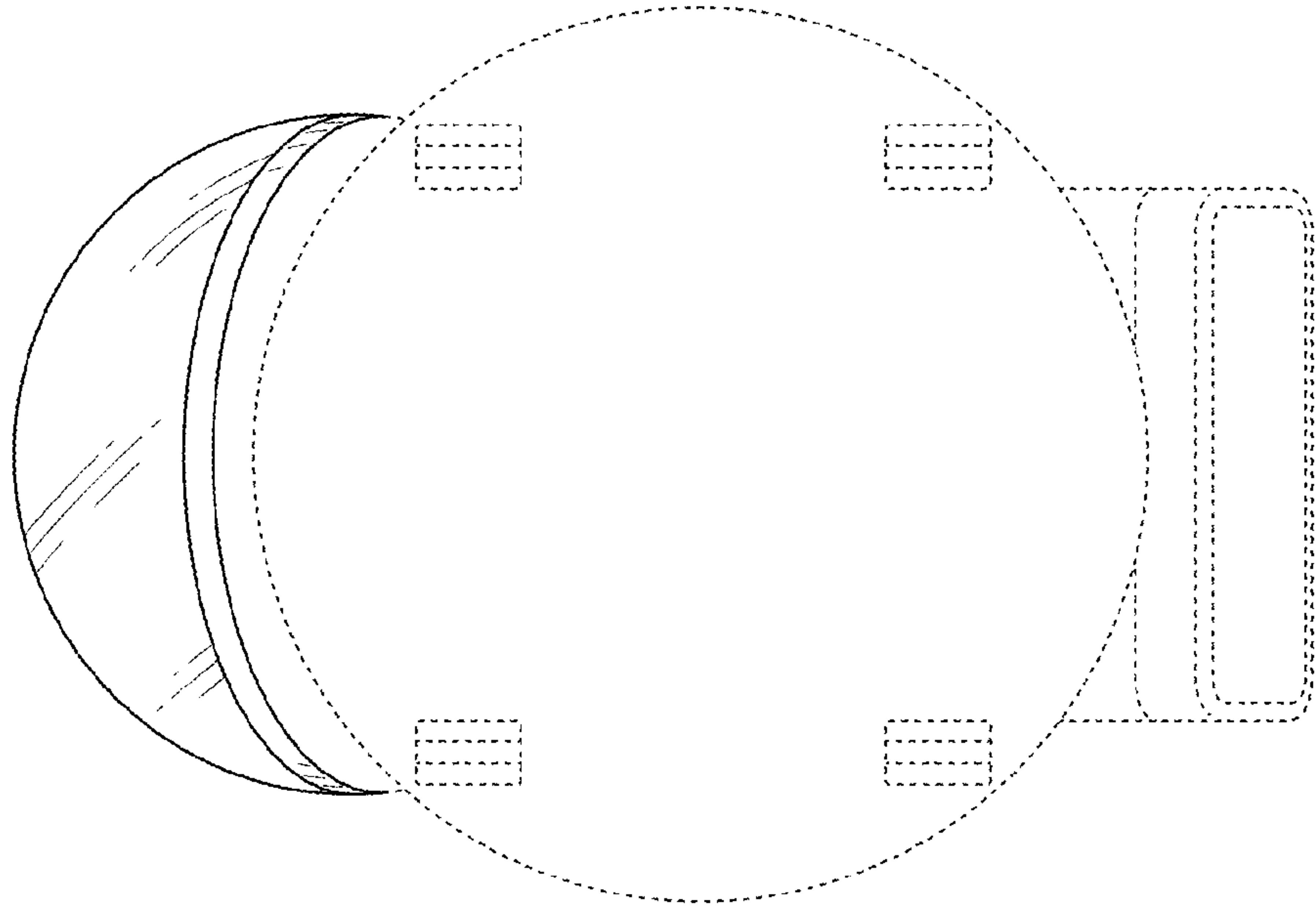


FIG. 8

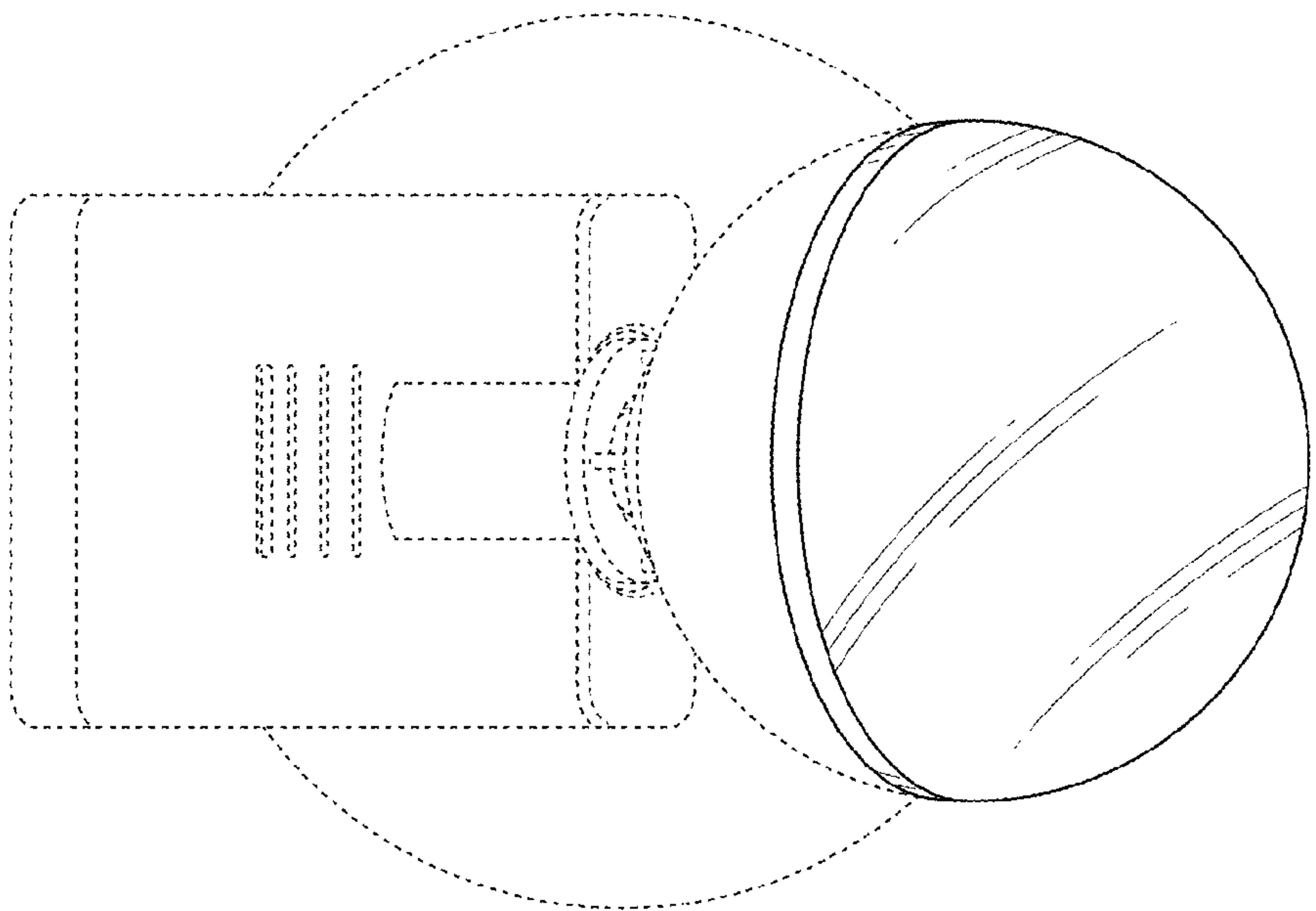


FIG. 7