



US00D717356S

(12) **United States Design Patent**
Nikaido

(10) **Patent No.:** **US D717,356 S**

(45) **Date of Patent:** **** Nov. 11, 2014**

(54) **CAMERA LENS**

(71) Applicant: **Nikon Corporation**, Tokyo (JP)

(72) Inventor: **Yutaka Nikaido**, Kamakura (JP)

(73) Assignee: **Nikon Corporation**, Tokyo (JP)

(**) Term: **14 Years**

(21) Appl. No.: **29/458,989**

(22) Filed: **Jun. 25, 2013**

(30) **Foreign Application Priority Data**

Dec. 26, 2012 (JP) 2012-031482

(51) **LOC (10) Cl.** **16-05**

(52) **U.S. Cl.**
USPC **D16/219**; D16/134

(58) **Field of Classification Search**
CPC G03B 17/02; G03B 19/04; G03B 17/56;
G03B 17/04; G03B 15/03; G03B 17/14;
H04N 5/2251; H04N 5/2252; H04N 5/2253;
H04N 5/2254; G02B 7/02; G02B 7/04;
G02B 7/14

USPC D16/134, 136, 200, 202-206, 218, 219,
D16/242; 348/373-376; 359/826-828;
396/529-532, 535, 539-541

See application file for complete search history.

(56) **References Cited**

U.S. PATENT DOCUMENTS

D337,775 S * 7/1993 Takahashi D16/134
D337,777 S * 7/1993 Takahashi D16/134
D338,219 S * 8/1993 Takahashi D16/134
D356,805 S * 3/1995 Takahashi D16/134
D398,315 S * 9/1998 Miyamoto D16/134

D407,728 S * 4/1999 Miyamoto D16/134
D412,922 S * 8/1999 Sekine D16/134
D440,997 S * 4/2001 Watanabe D16/134
D441,382 S * 5/2001 Konno et al. D16/134
6,377,408 B1 * 4/2002 Shinohara 359/826
D573,167 S * 7/2008 Kitera D16/134
D583,847 S * 12/2008 Watanabe D16/219
8,363,343 B2 * 1/2013 Takahashi 359/826

FOREIGN PATENT DOCUMENTS

JP 897531 S 4/1994
JP 925349 S 5/1995
JP 945121 S 1/1996
JP 963315 S 9/1996
JP 963315-1 S 3/1997
JP 1321265 S 2/2008

* cited by examiner

Primary Examiner — Adir Aronovich

Assistant Examiner — Ramzi Almatrahi

(74) *Attorney, Agent, or Firm* — Wolf, Greenfield & Sacks, P.C.; Randy J. Pritzker

(57) **CLAIM**

The ornamental design for a camera lens, as shown and described.

DESCRIPTION

FIG. 1 is a front perspective view of a camera lens showing my new design;

FIG. 2 is a rear perspective view thereof;

FIG. 3 is a front view thereof;

FIG. 4 is a rear view thereof;

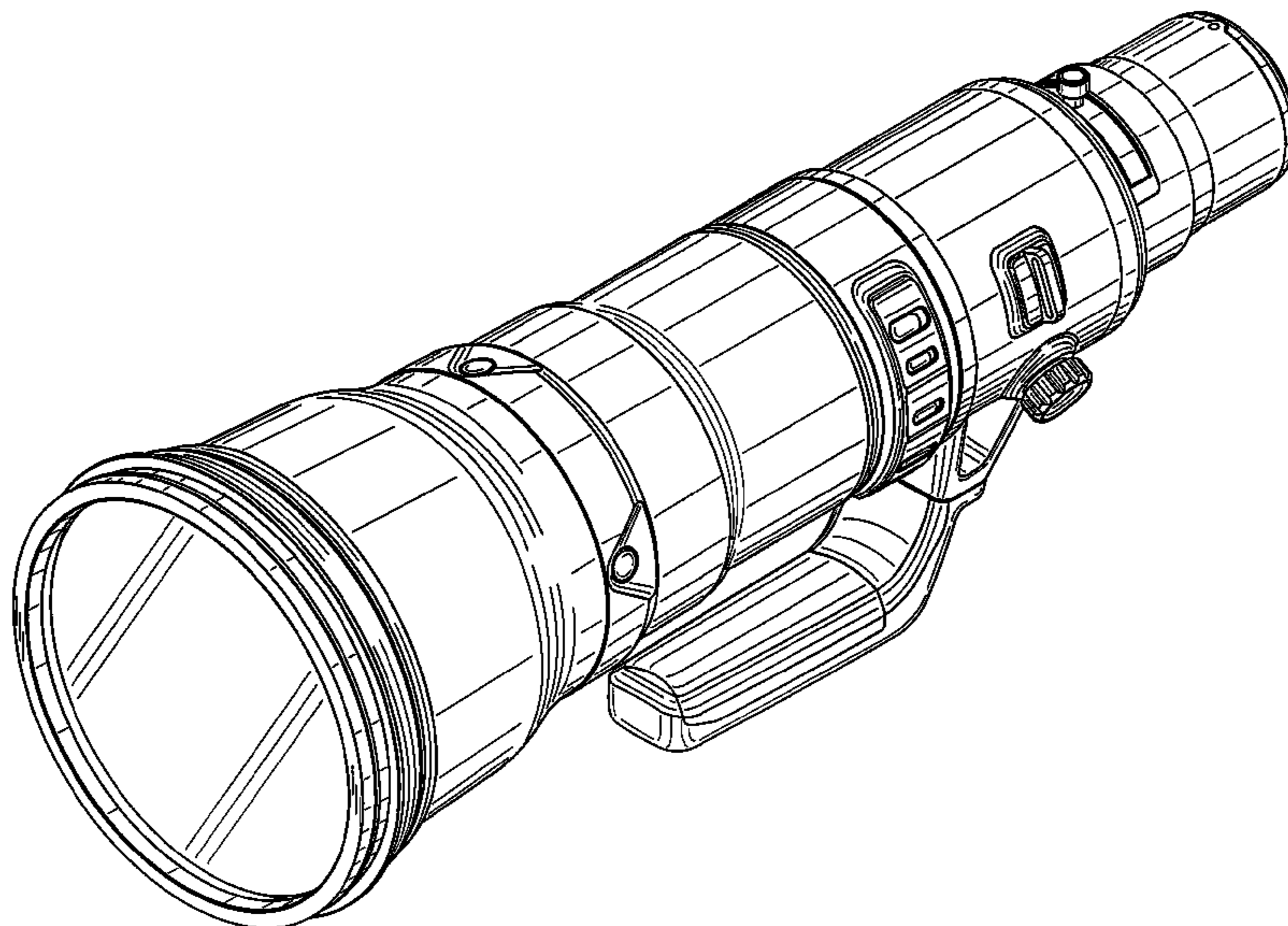
FIG. 5 is a top plan view thereof;

FIG. 6 is a bottom plan view thereof;

FIG. 7 is a right side view thereof; and,

FIG. 8 is a left side view thereof.

1 Claim, 8 Drawing Sheets



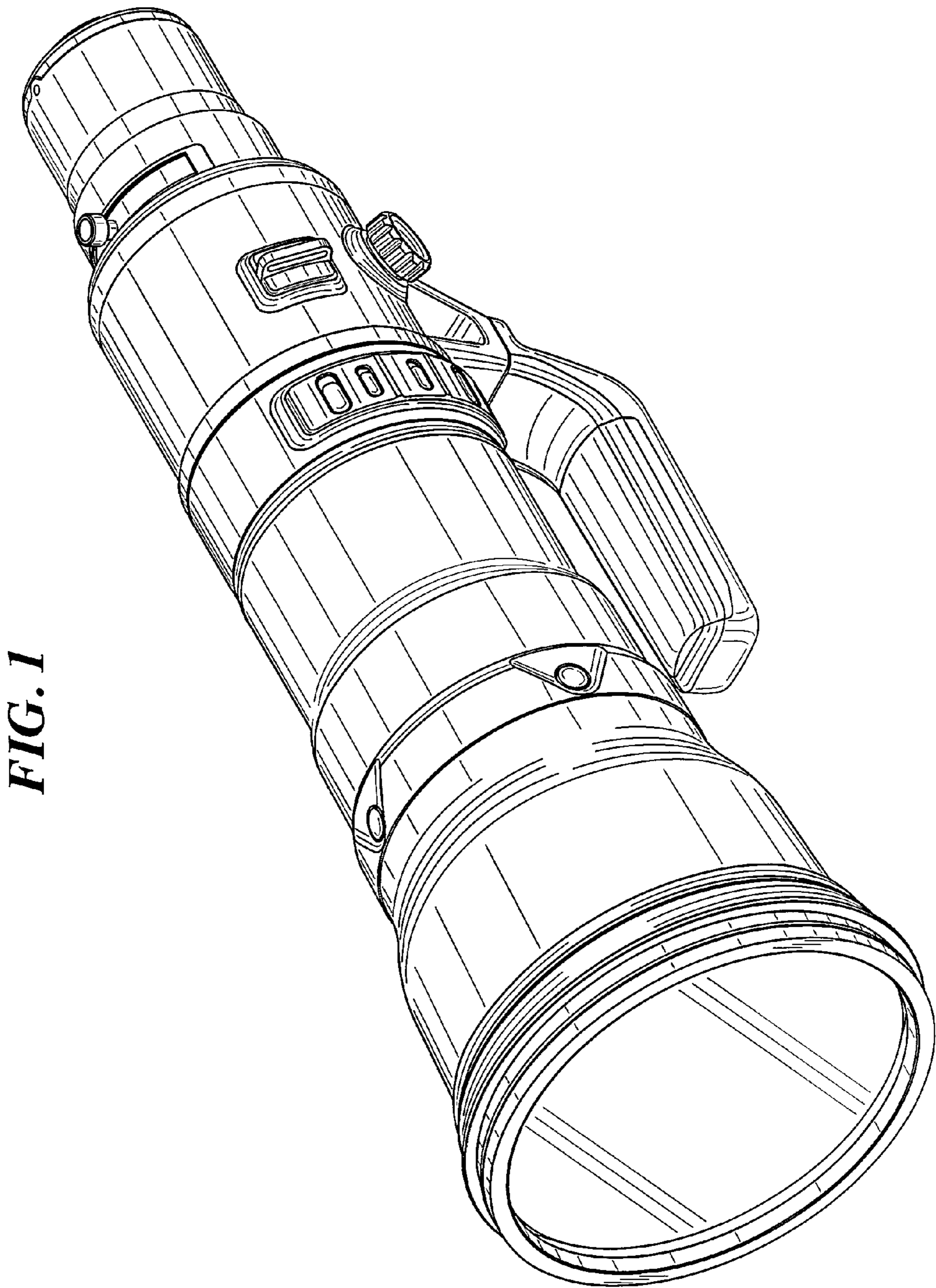


FIG. 1

FIG. 2

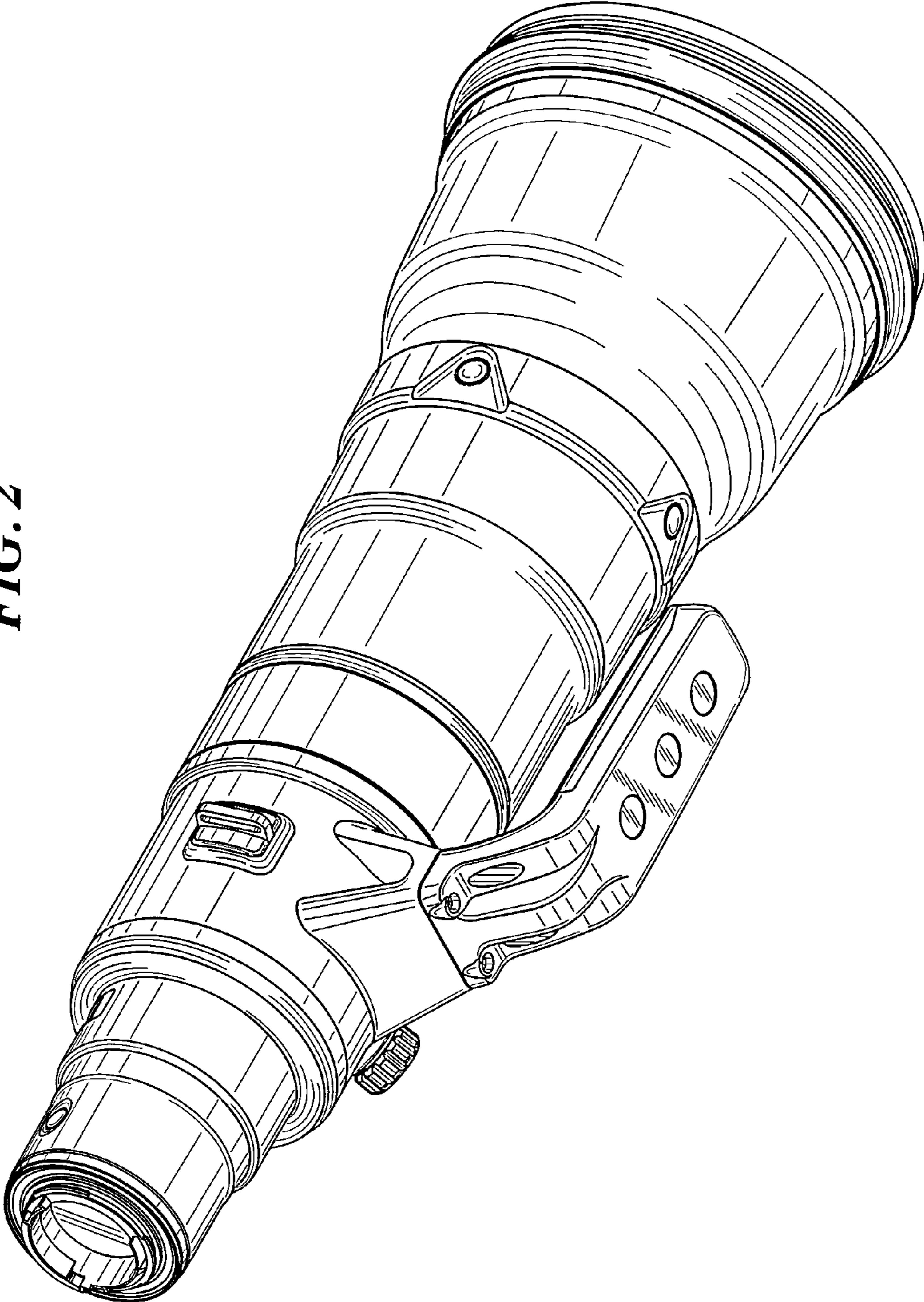


FIG. 3

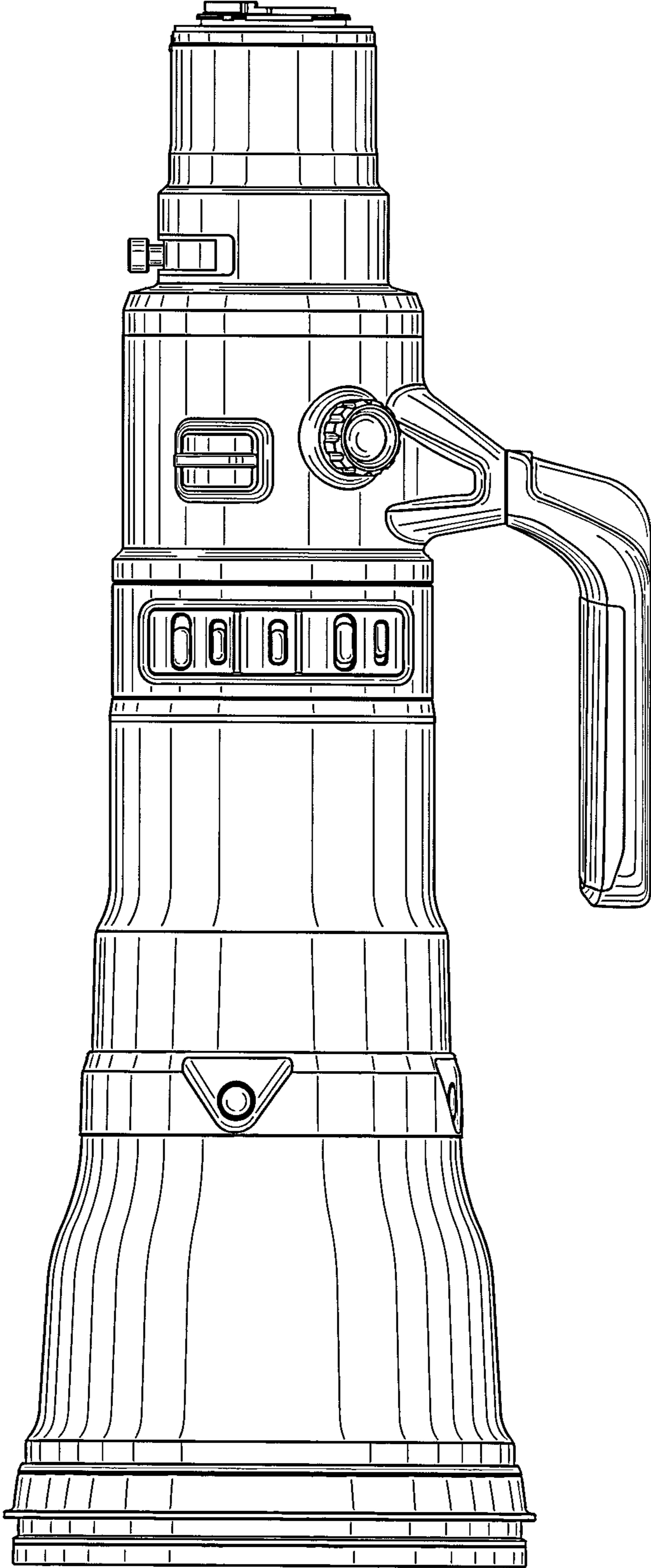


FIG. 4

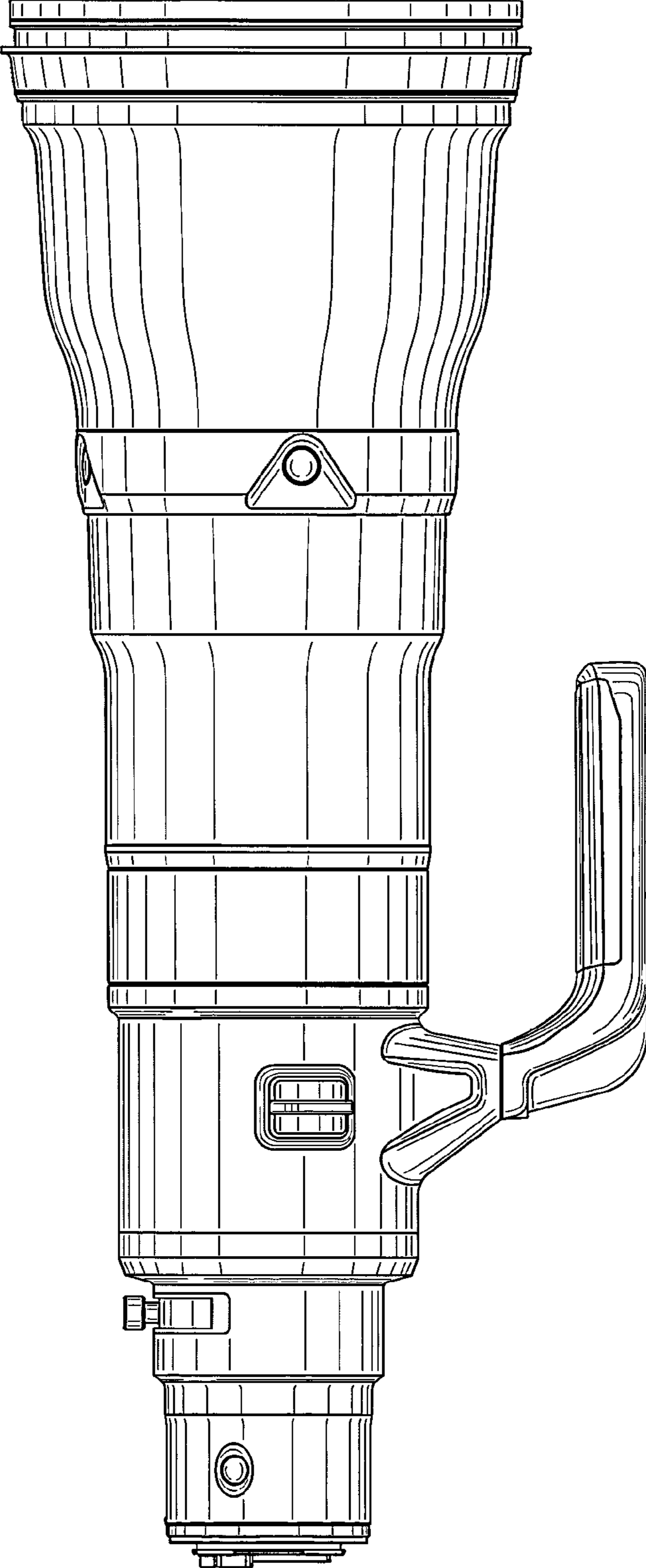


FIG. 6

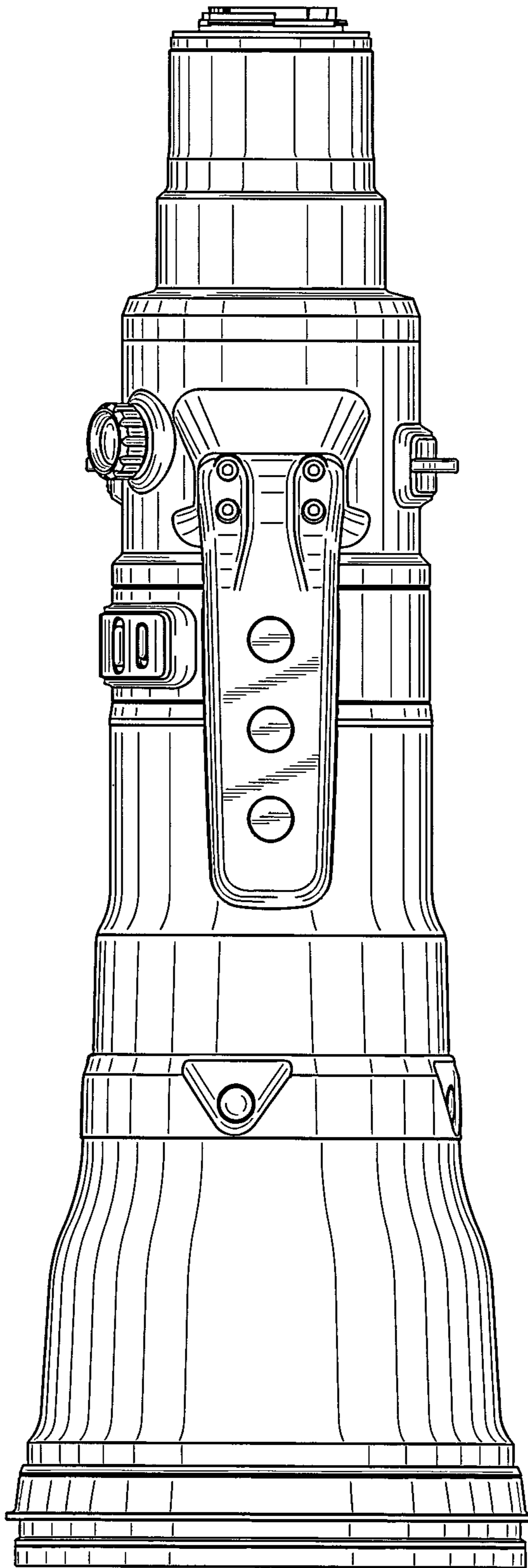


FIG. 7

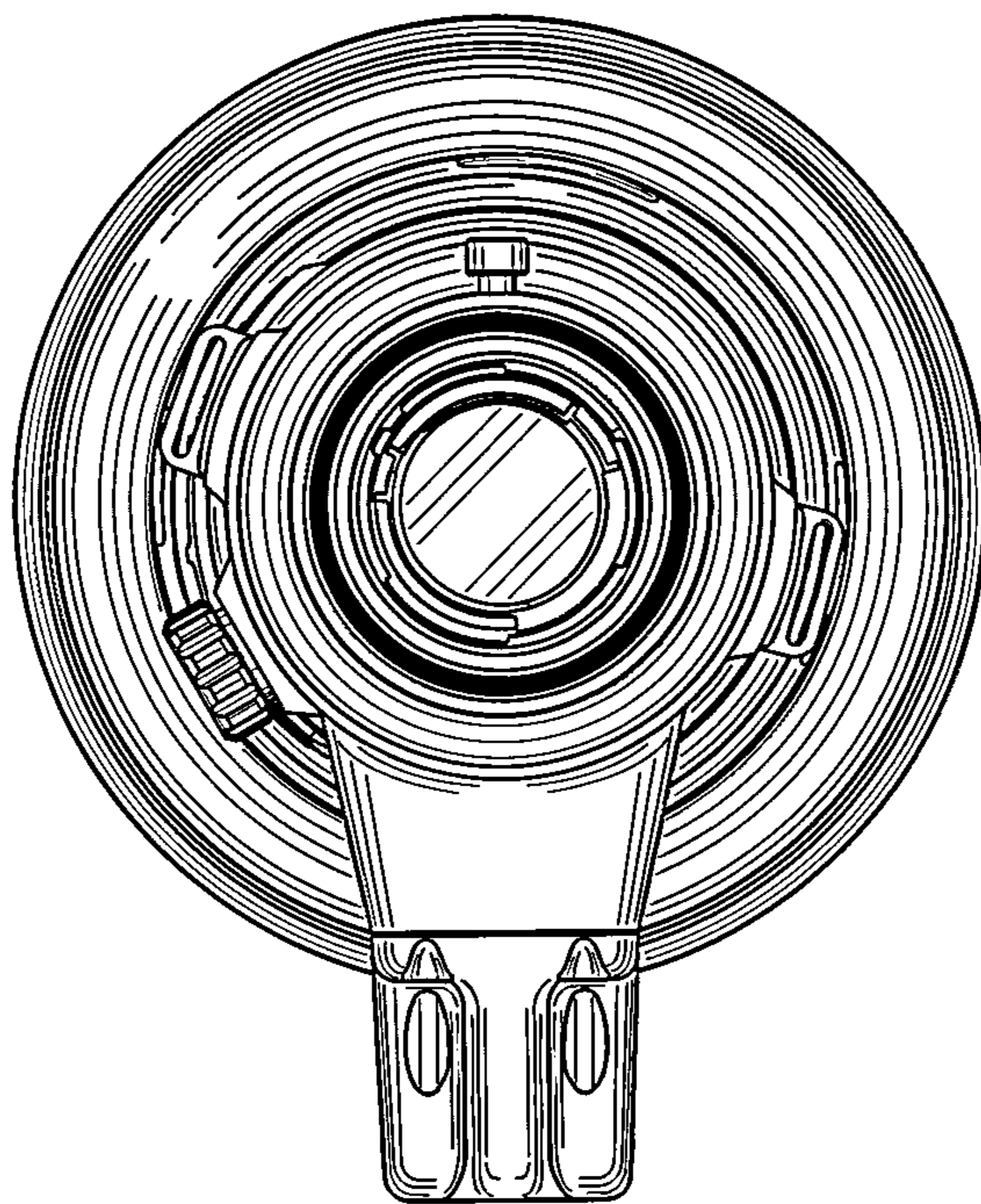


FIG. 8

