



US00D717355S

(12) **United States Design Patent**
Imai

(10) **Patent No.:** **US D717,355 S**

(45) **Date of Patent:** **** Nov. 11, 2014**

(54) **ELECTRONIC CAMERA**

(71) Applicant: **FUJIFILM Corporation**, Tokyo (JP)

(72) Inventor: **Masazumi Imai**, Saitama (JP)

(73) Assignee: **FUJIFILM Corporation**, Tokyo (JP)

(**) Term: **14 Years**

(21) Appl. No.: **29/443,263**

(22) Filed: **Jan. 15, 2013**

(30) **Foreign Application Priority Data**

Sep. 3, 2012 (JP) 2012-021209

(51) **LOC (10) Cl.** **16-05**

(52) **U.S. Cl.**
USPC **D16/219**

(58) **Field of Classification Search**
CPC G03B 17/02; G03B 19/04; G03B 17/56;
G03B 17/04; G03B 15/03; G03B 17/14;
H04N 5/2251; H04N 5/2252; H04N 5/2253;
H04N 5/2254; G02B 7/02; G02B 7/04;
G02B 7/14
USPC D16/134, 136, 200, 202–205, 218, 219;
348/373–376; 359/826–828;
396/529–532, 535, 539–541
See application file for complete search history.

(56) **References Cited**

U.S. PATENT DOCUMENTS

6,496,659 B2 * 12/2002 Nagata 396/535
D479,547 S * 9/2003 Nagayama D16/202
D523,057 S * 6/2006 Watanabe D16/219
D525,638 S * 7/2006 Nakamura D16/202

D525,639 S * 7/2006 Nakamura D16/202
D537,093 S * 2/2007 Nakamura D16/202
D548,260 S * 8/2007 Nakamura D16/219
D557,315 S * 12/2007 Imai D16/219
D559,292 S * 1/2008 Imai D16/202
8,542,308 B2 * 9/2013 Ozawa et al. 348/340
D697,959 S * 1/2014 Imai D16/202

* cited by examiner

Primary Examiner — Adir Aronovich

Assistant Examiner — Ramzi Almatrahi

(74) *Attorney, Agent, or Firm* — Sughrue Mion, PLLC

(57) **CLAIM**

The ornamental design for an electronic camera, as shown and described.

DESCRIPTION

FIG. 1 is a top, front, and right perspective view of an electronic camera showing my new design;
FIG. 2 is a front elevational view thereof;
FIG. 3 is a rear elevational view thereof;
FIG. 4 is a top plan view thereof;
FIG. 5 is a bottom plan view thereof;
FIG. 6 is a left side elevational view thereof;
FIG. 7 is a top, front, and right perspective view thereof with a lens barrel being in a retracted position;
FIG. 8 is a top, front, and right perspective view thereof with a lens barrel being in a partially retracted position; and,
FIG. 9 is a top, front, and right perspective view thereof with a lens barrel being in a fully extended position.
The broken lines in the drawing are included for the purpose of illustrating environmental subject matter and form no part of the claimed design.

1 Claim, 9 Drawing Sheets

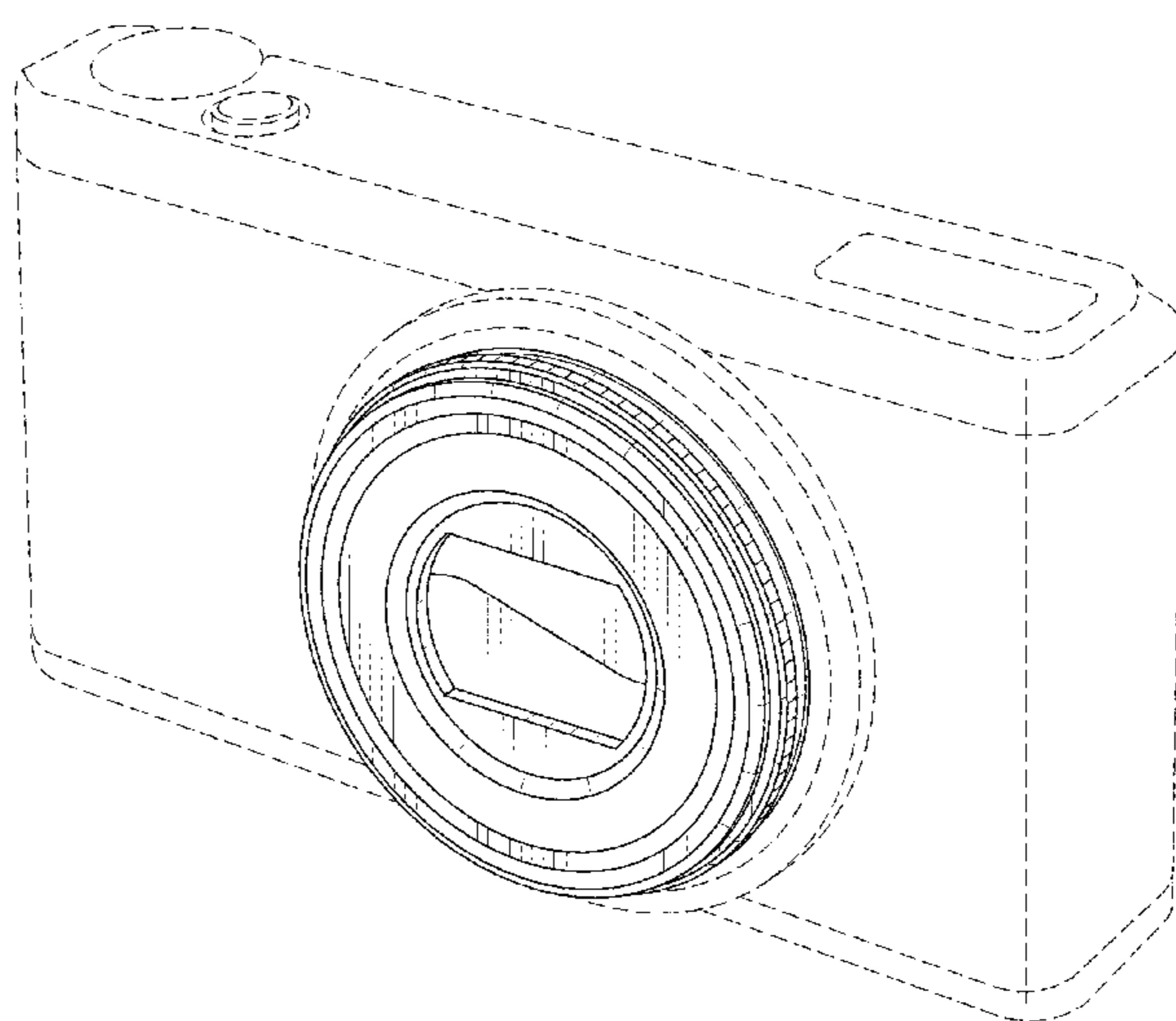
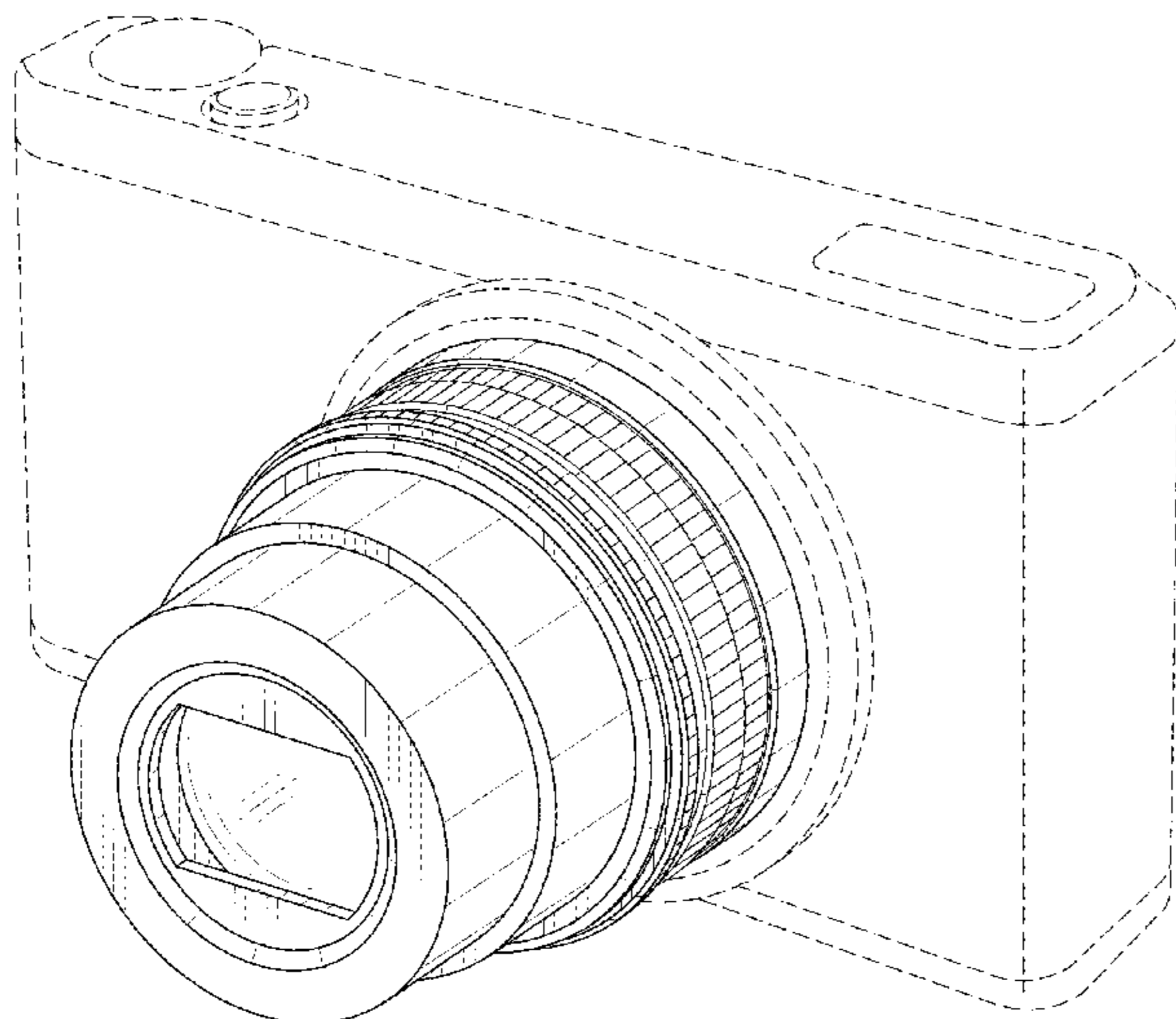


FIG. 1

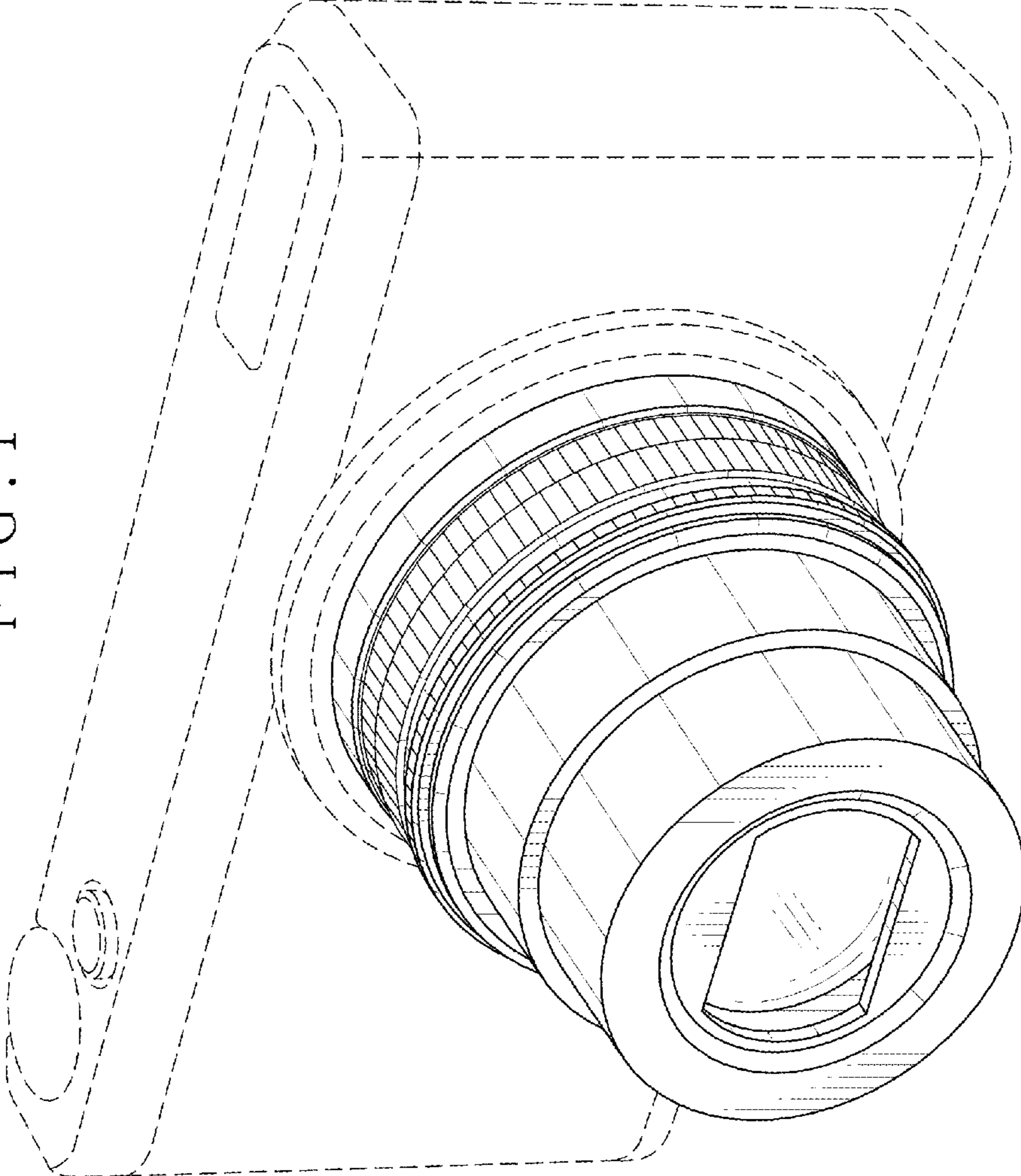


FIG. 2

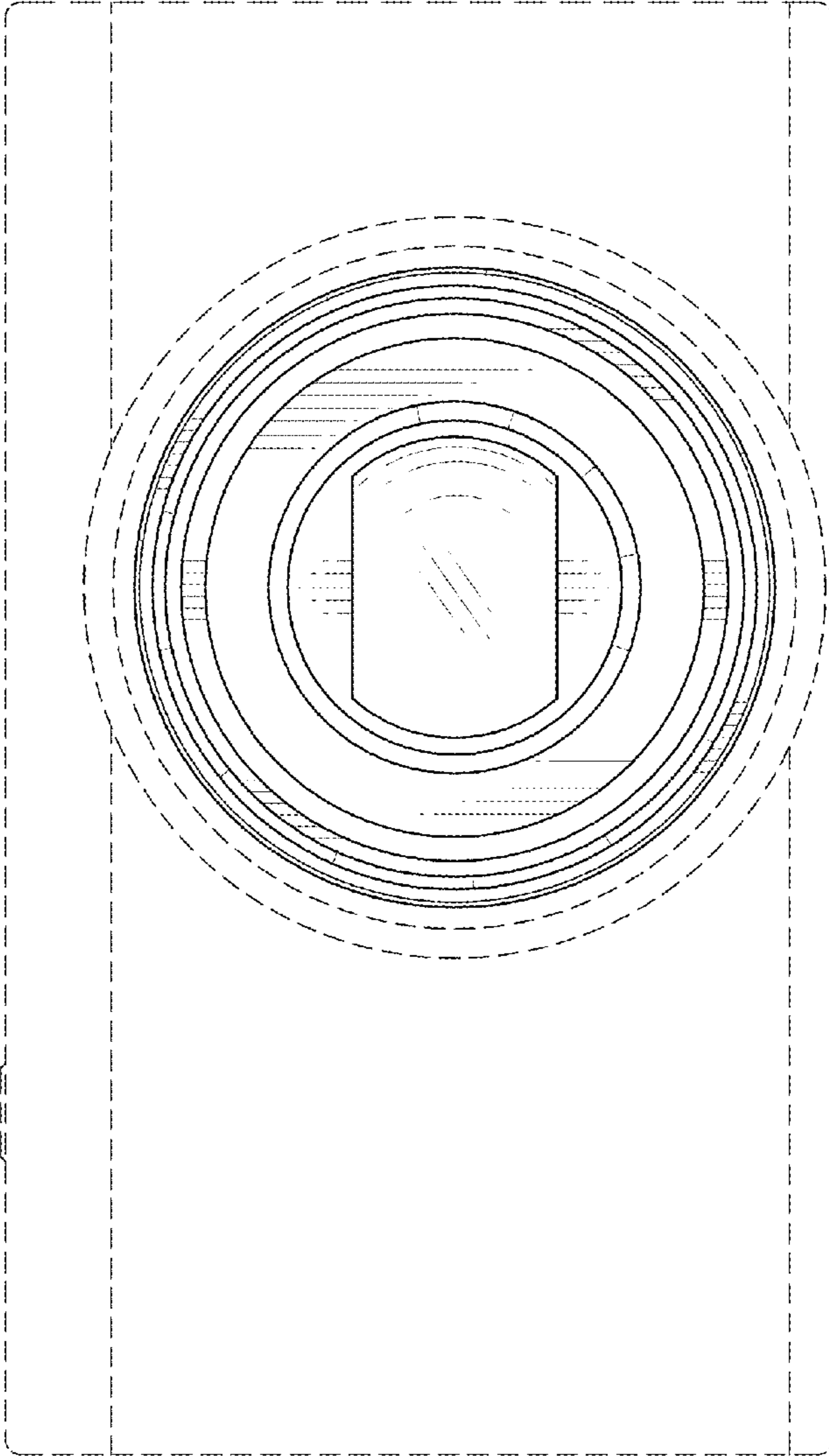


FIG. 3

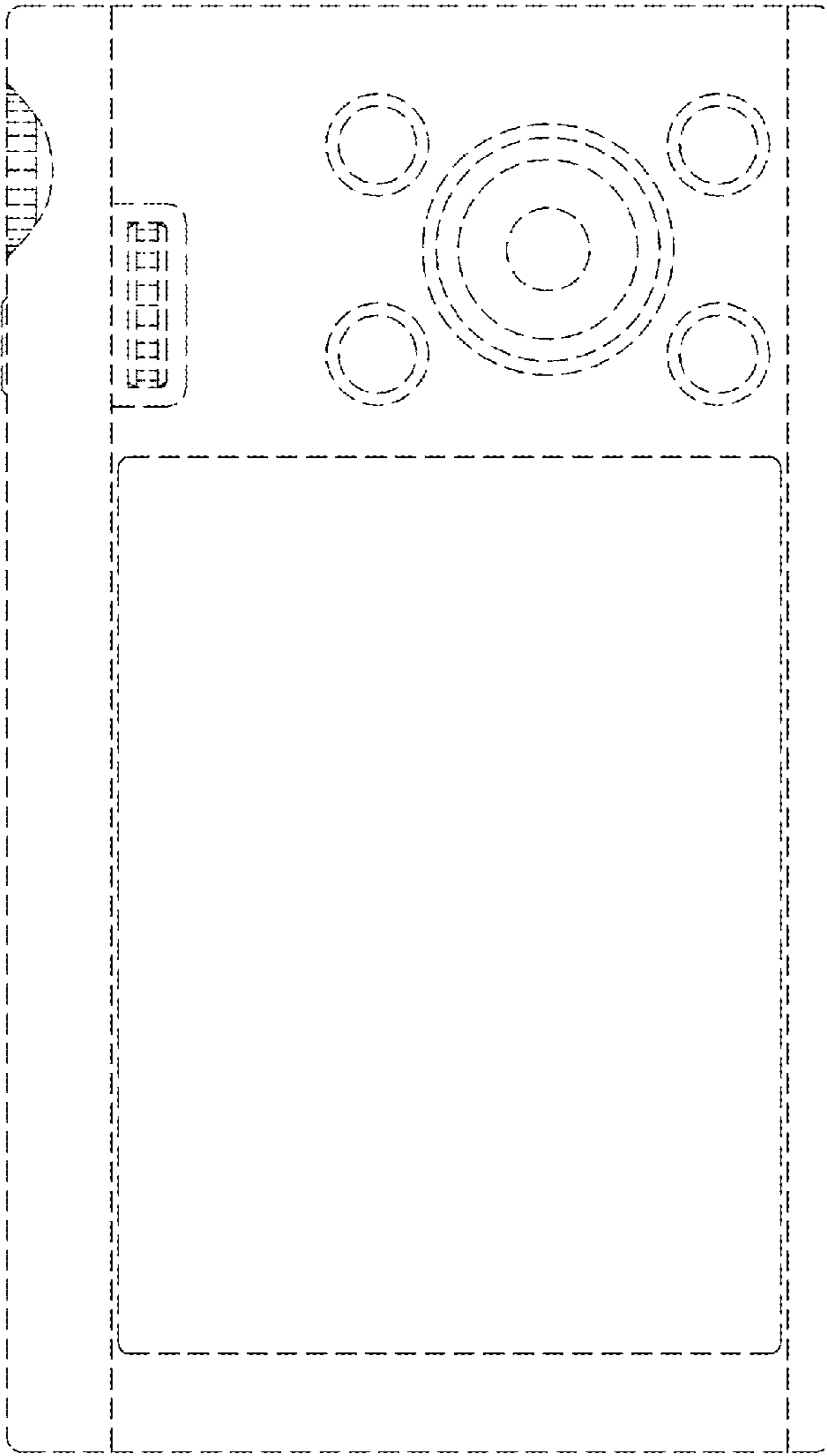


FIG. 4

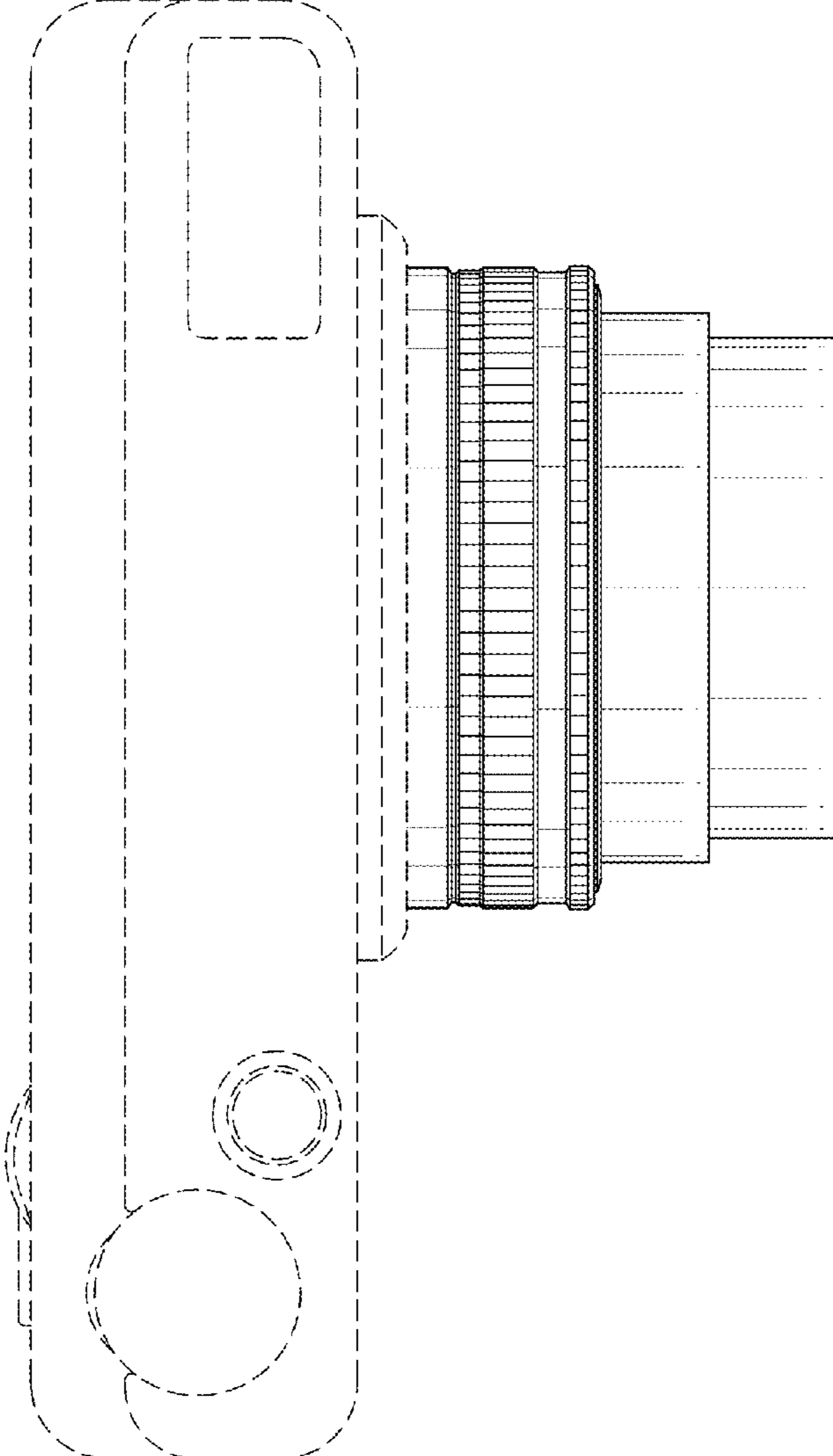


FIG. 5

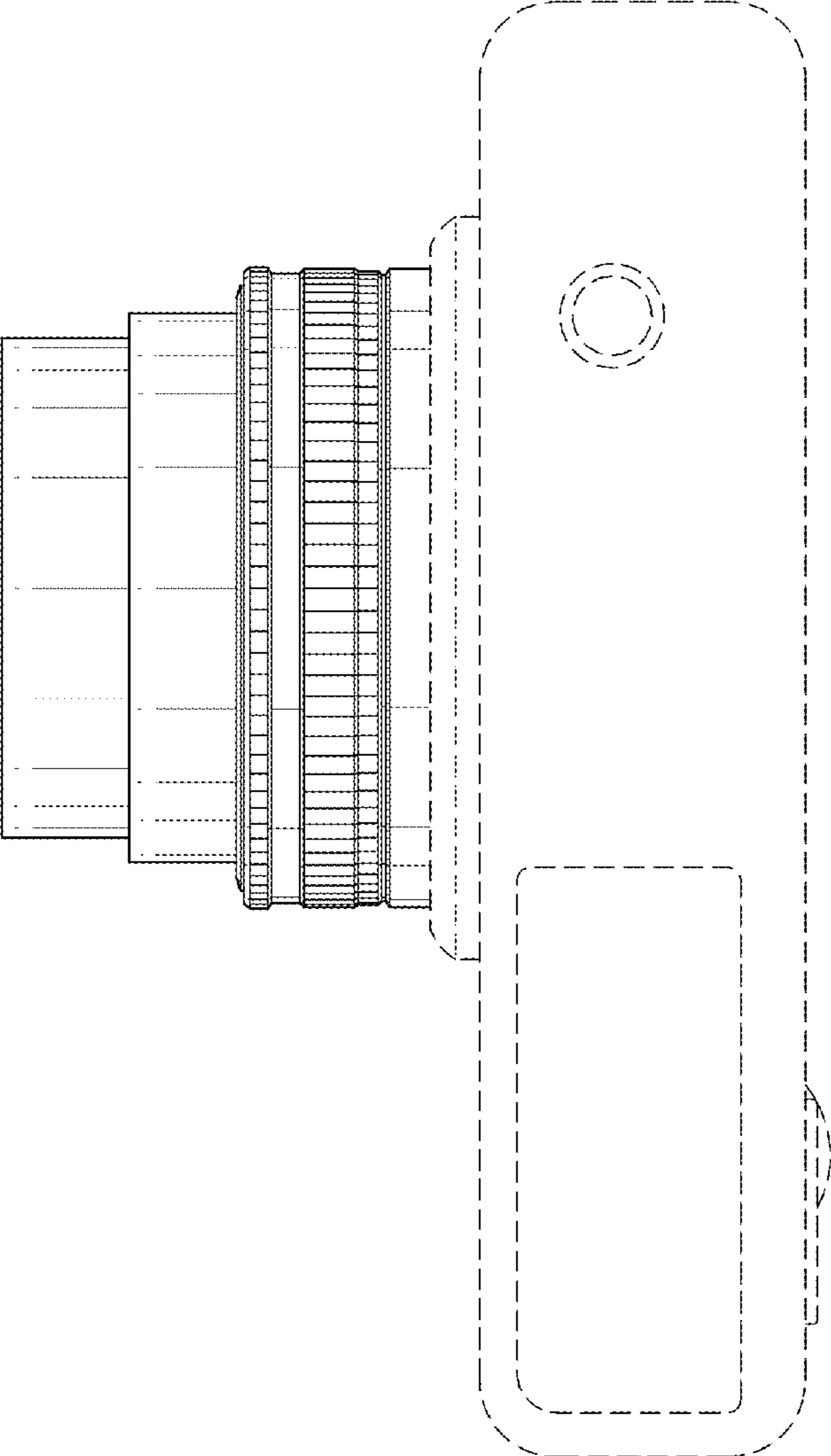


FIG. 6

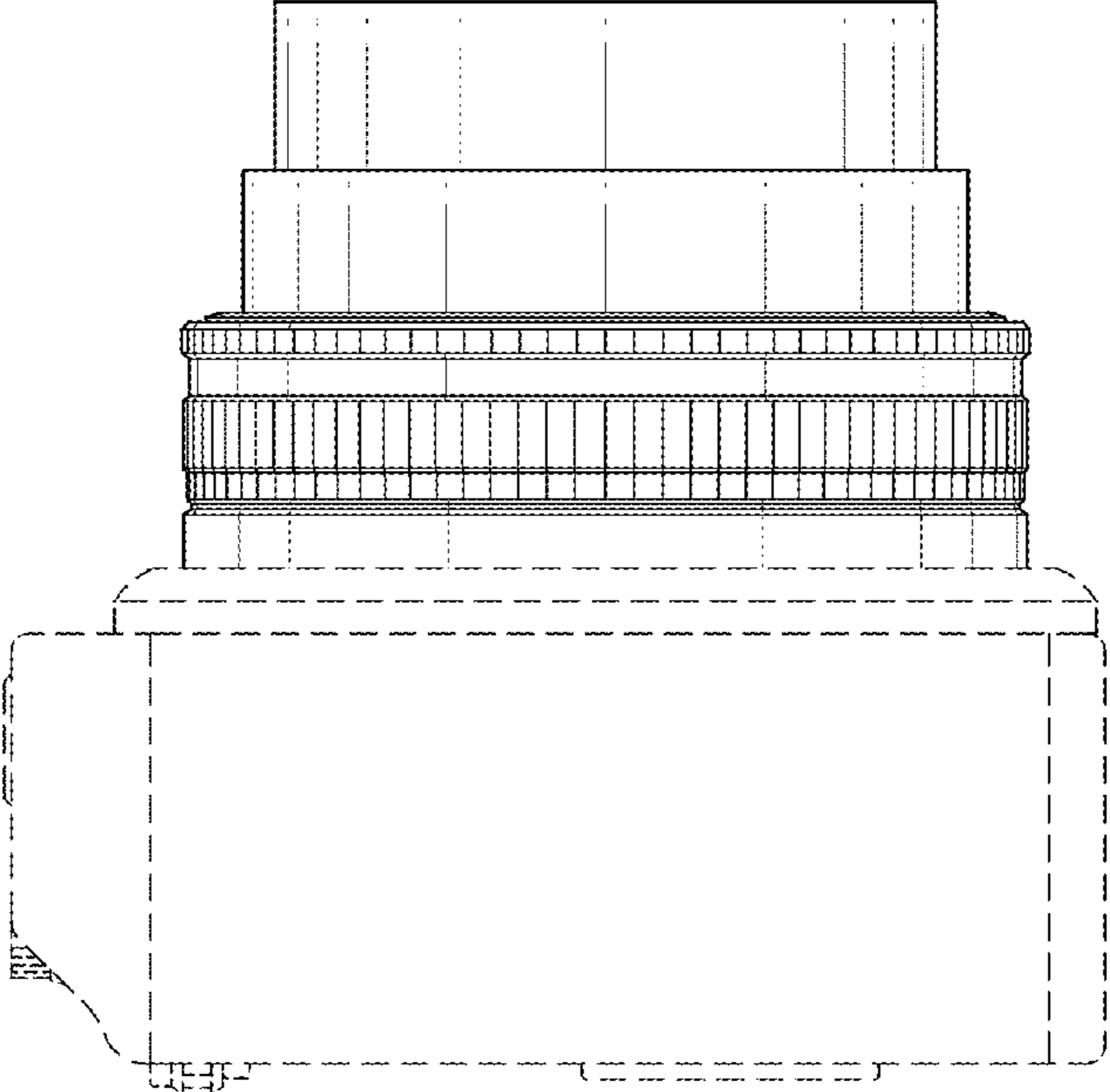


FIG. 7

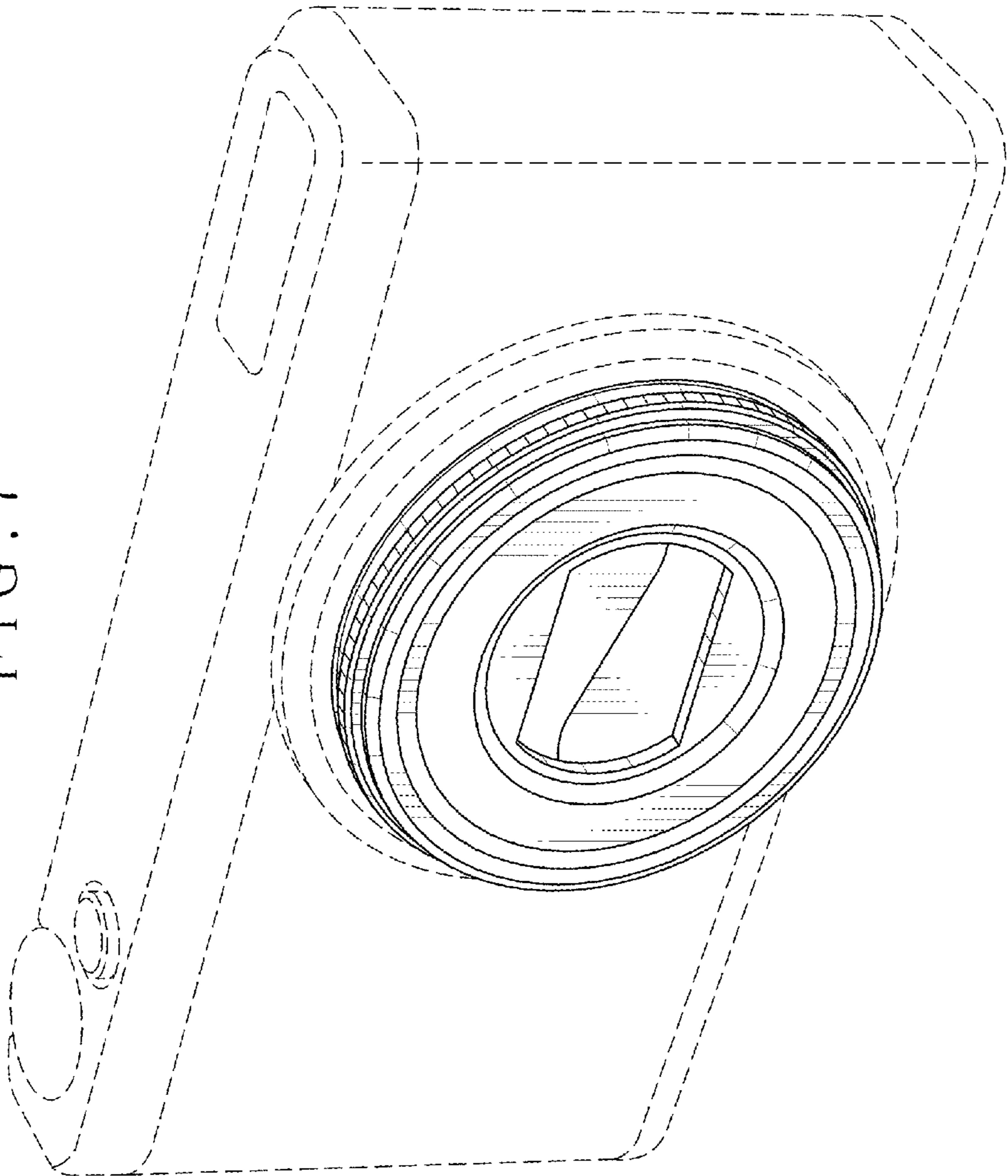


FIG. 8

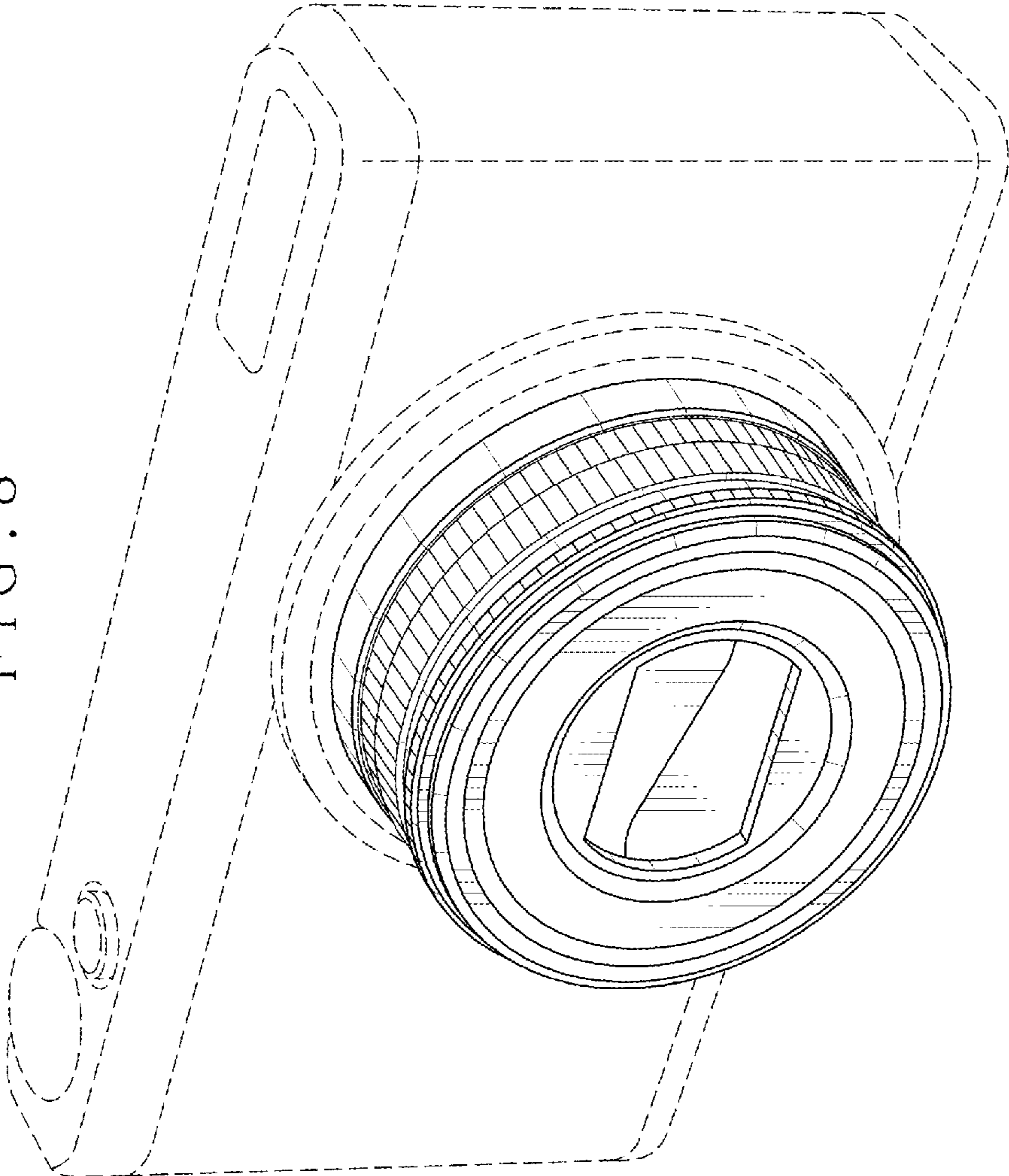


FIG. 9

