



US00D717353S

(12) **United States Design Patent**  
**Kobayashi et al.**

(10) **Patent No.:** **US D717,353 S**

(45) **Date of Patent:** **\*\* Nov. 11, 2014**

(54) **DIGITAL CAMERA**

(71) Applicant: **Nikon Corporation**, Tokyo (JP)  
(72) Inventors: **Tatsuya Kobayashi**, Tokyo (JP);  
**Makoto Imamizu**, Yokohama (JP)

(73) Assignee: **Nikon Corporation**, Tokyo (JP)

(\*\*) Term: **14 Years**

(21) Appl. No.: **29/462,068**

(22) Filed: **Jul. 30, 2013**

(30) **Foreign Application Priority Data**

Jan. 31, 2013 (JP) ..... 2013-001903

(51) **LOC (10) Cl.** ..... **16-01**

(52) **U.S. Cl.**  
USPC ..... **D16/202**

(58) **Field of Classification Search**  
USPC ..... D16/200, 202, 204, 206, 208, 218;  
348/373-376; 358/909.1; 396/535-541  
See application file for complete search history.

(56) **References Cited**

**U.S. PATENT DOCUMENTS**

D548,254 S *	8/2007	Tainaka	.....	D16/202
D568,357 S *	5/2008	Shimobayashi	.....	D16/202
7,646,426 B2 *	1/2010	Saiki et al.	.....	348/373
D627,381 S *	11/2010	Kwon	.....	D16/202
D650,409 S *	12/2011	Lee	.....	D16/202
D671,582 S *	11/2012	Jang et al.	.....	D16/202
D695,328 S *	12/2013	Sul	.....	D16/202

**OTHER PUBLICATIONS**

Web page of Nikon Corporation, Digital Compact Camera Nikon Coolpix S4000/S3000 [http://www.nikon.com/news/2010/0203\\_coolpixs4000s3000\\_2.HTM](http://www.nikon.com/news/2010/0203_coolpixs4000s3000_2.HTM), dated Feb. 3, 2010, pp. 1-8.  
Web page of Nikon Corporation, [http://www.nikon-image.com/products/camera/compact/cool\\_pix/style/s3000/gallery.htm](http://www.nikon-image.com/products/camera/compact/cool_pix/style/s3000/gallery.htm), dated Jul. 18, 2013, pp. 1-3.  
Web page of Nikon Corporation, Digital Compact Camera Nikon Coolpix S9100/S6100/S4100/S3100/S2500 [http://www.nikon.com/news/2011/0209\\_cps-s\\_02.htm](http://www.nikon.com/news/2011/0209_cps-s_02.htm), dated Feb. 3, 2010, pp. 1-11.  
Web page of Nikon Corporation, [http://www.nikon-image.com/products/camera/compact/cool\\_pix/style/s3100/gallery.htm](http://www.nikon-image.com/products/camera/compact/cool_pix/style/s3100/gallery.htm), dated Jul. 16, 2013, pp. 1-2.

\* cited by examiner

*Primary Examiner* — Adir Aronovich

(74) *Attorney, Agent, or Firm* — Wolf, Greenfield & Sacks, P.C.; Randy J. Pritzker

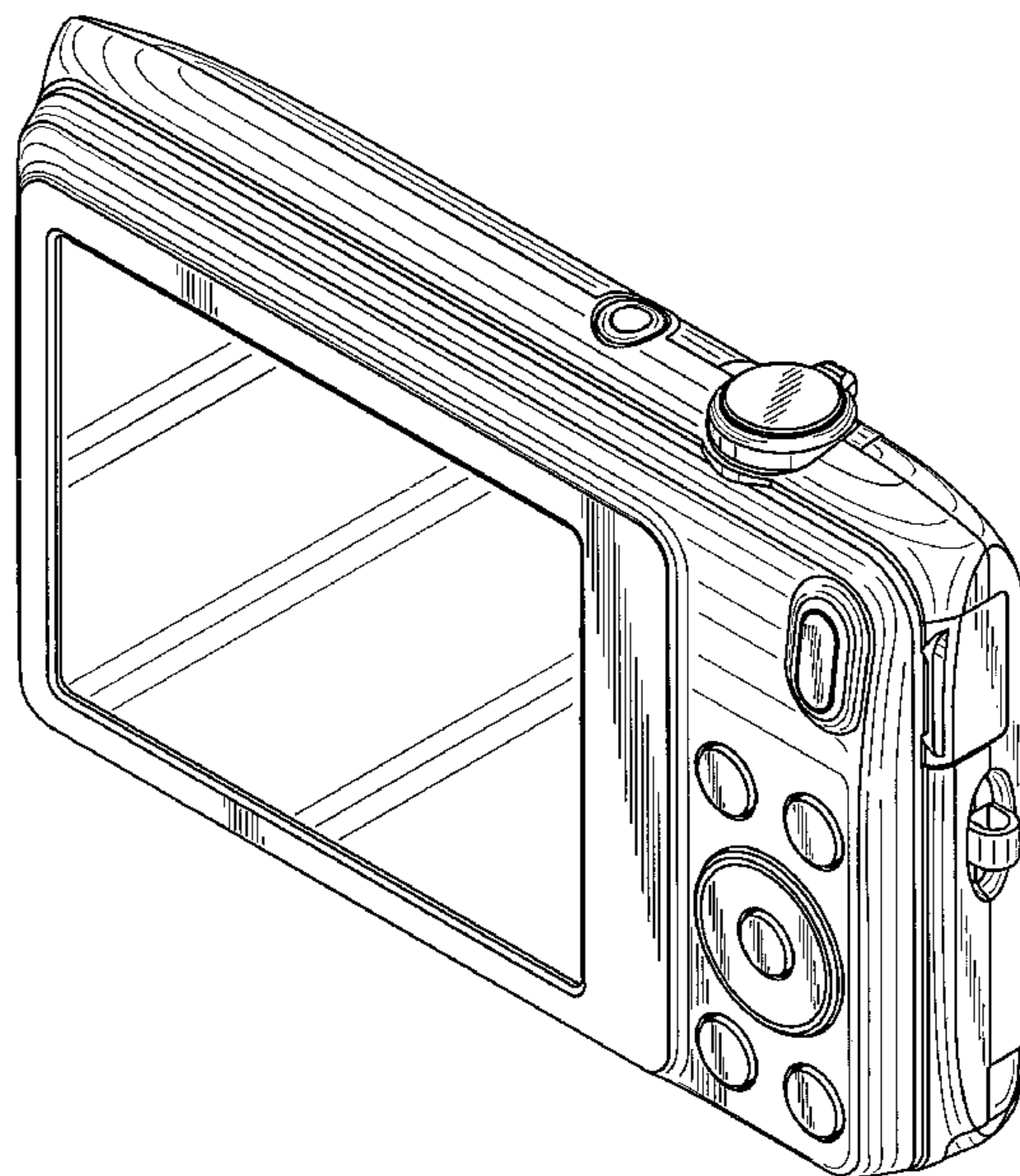
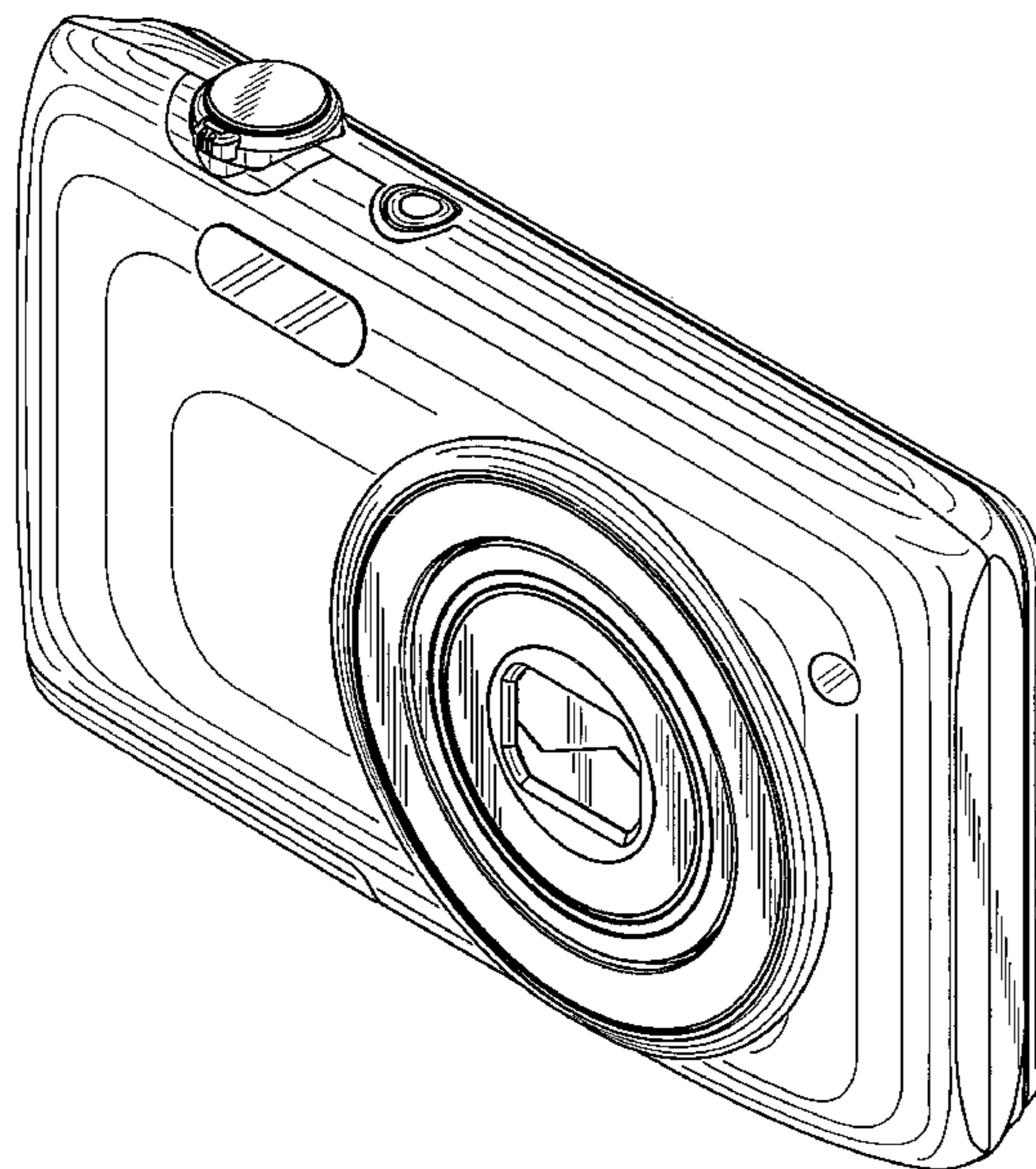
(57) **CLAIM**

The ornamental design for a digital camera, as shown and described.

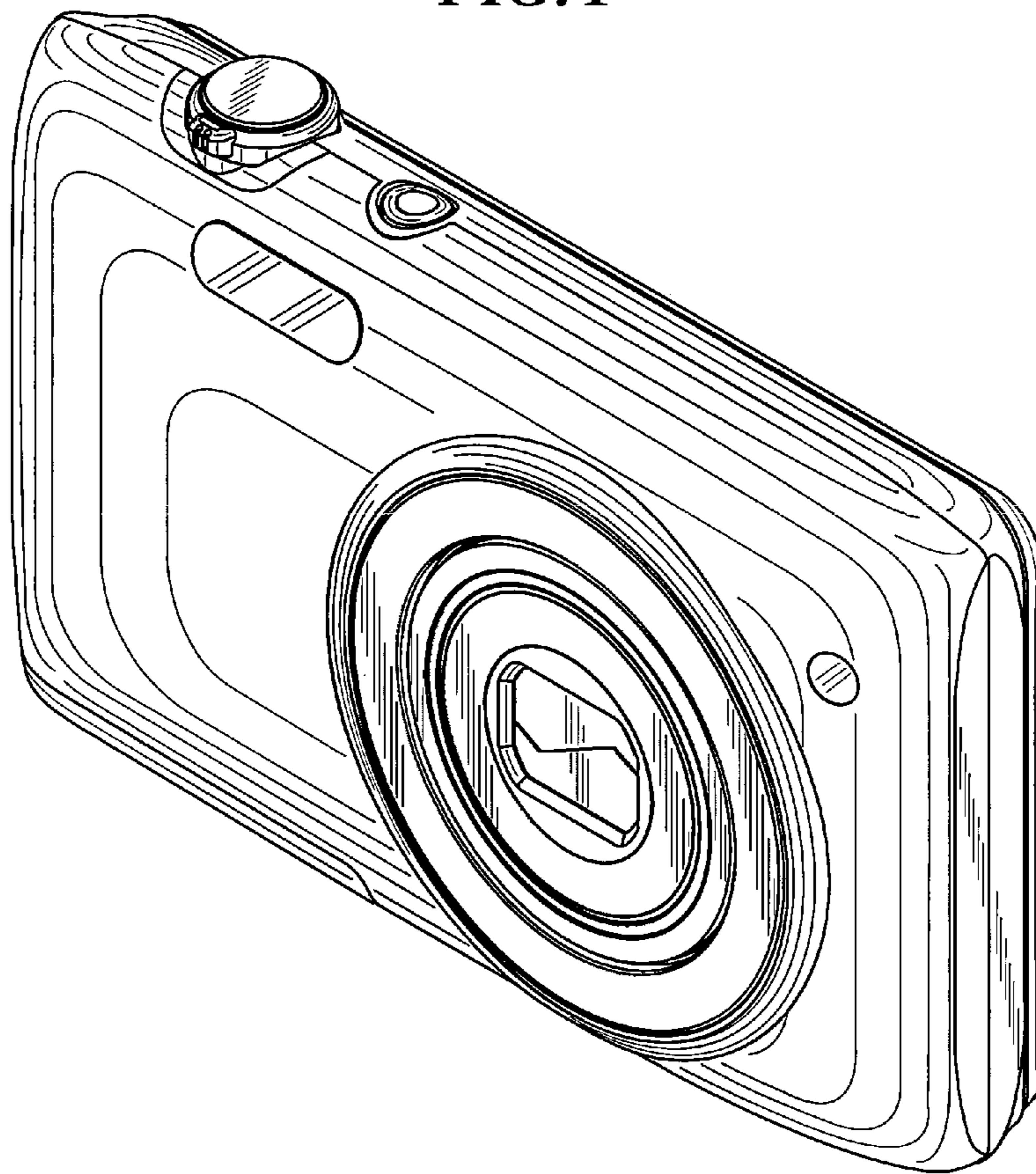
**DESCRIPTION**

FIG. 1 is a front perspective view of a digital camera showing our new design;  
FIG. 2 is a rear perspective view thereof;  
FIG. 3 is a front view thereof;  
FIG. 4 is a rear view thereof;  
FIG. 5 is a top plan view thereof;  
FIG. 6 is a bottom plan view thereof;  
FIG. 7 is a right side view thereof; and,  
FIG. 8 is a left side view thereof.

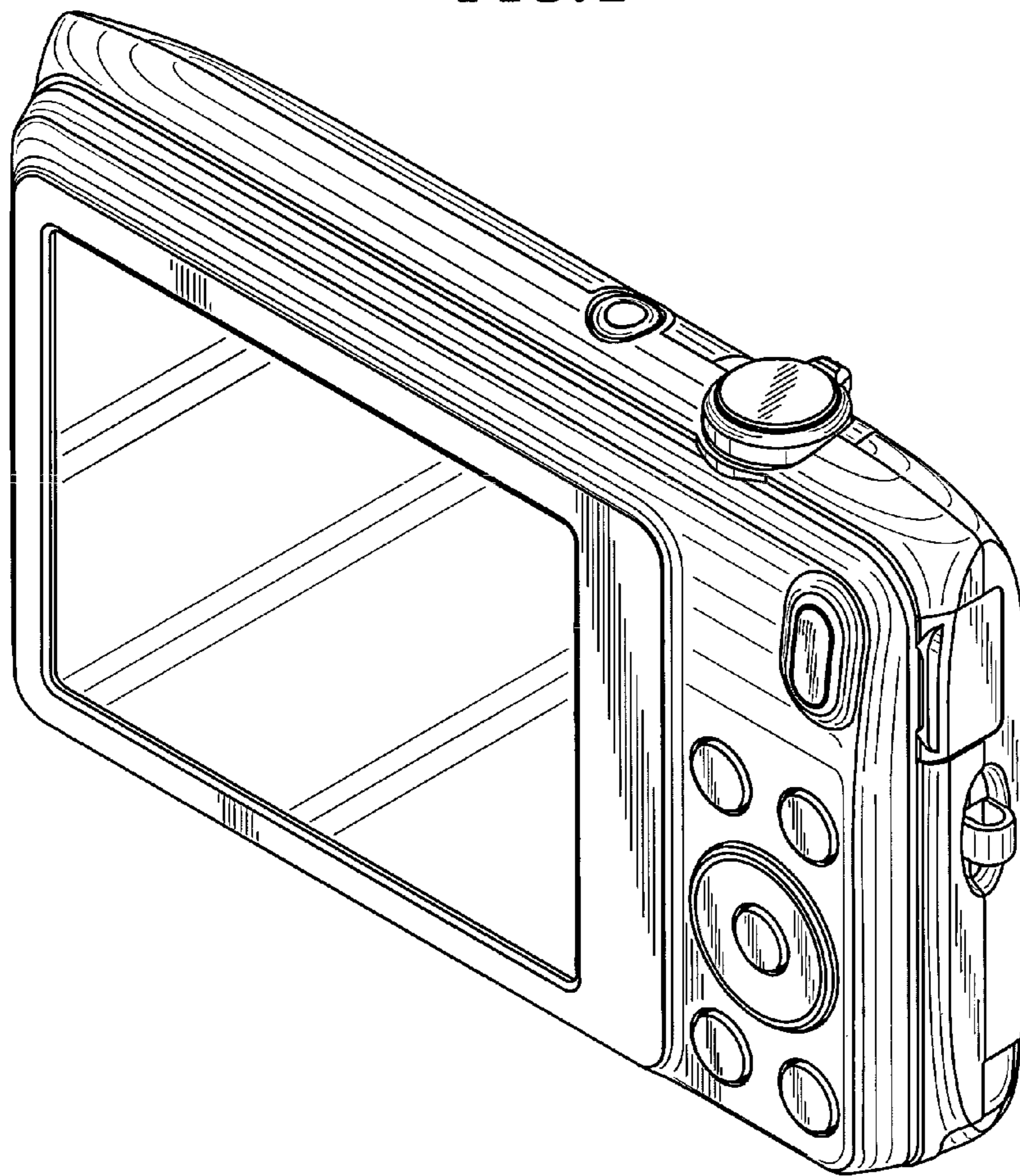
**1 Claim, 8 Drawing Sheets**



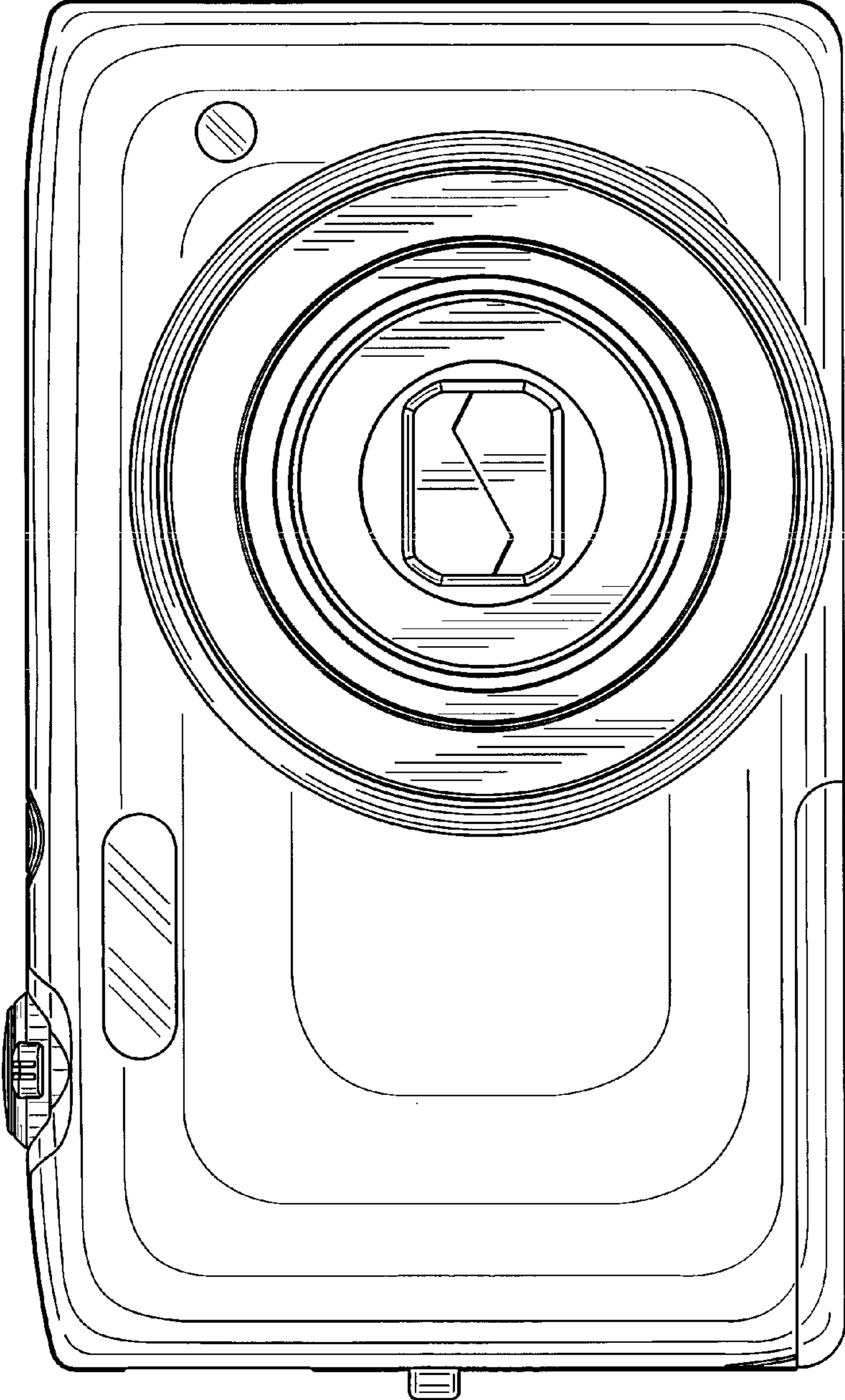
*FIG. 1*



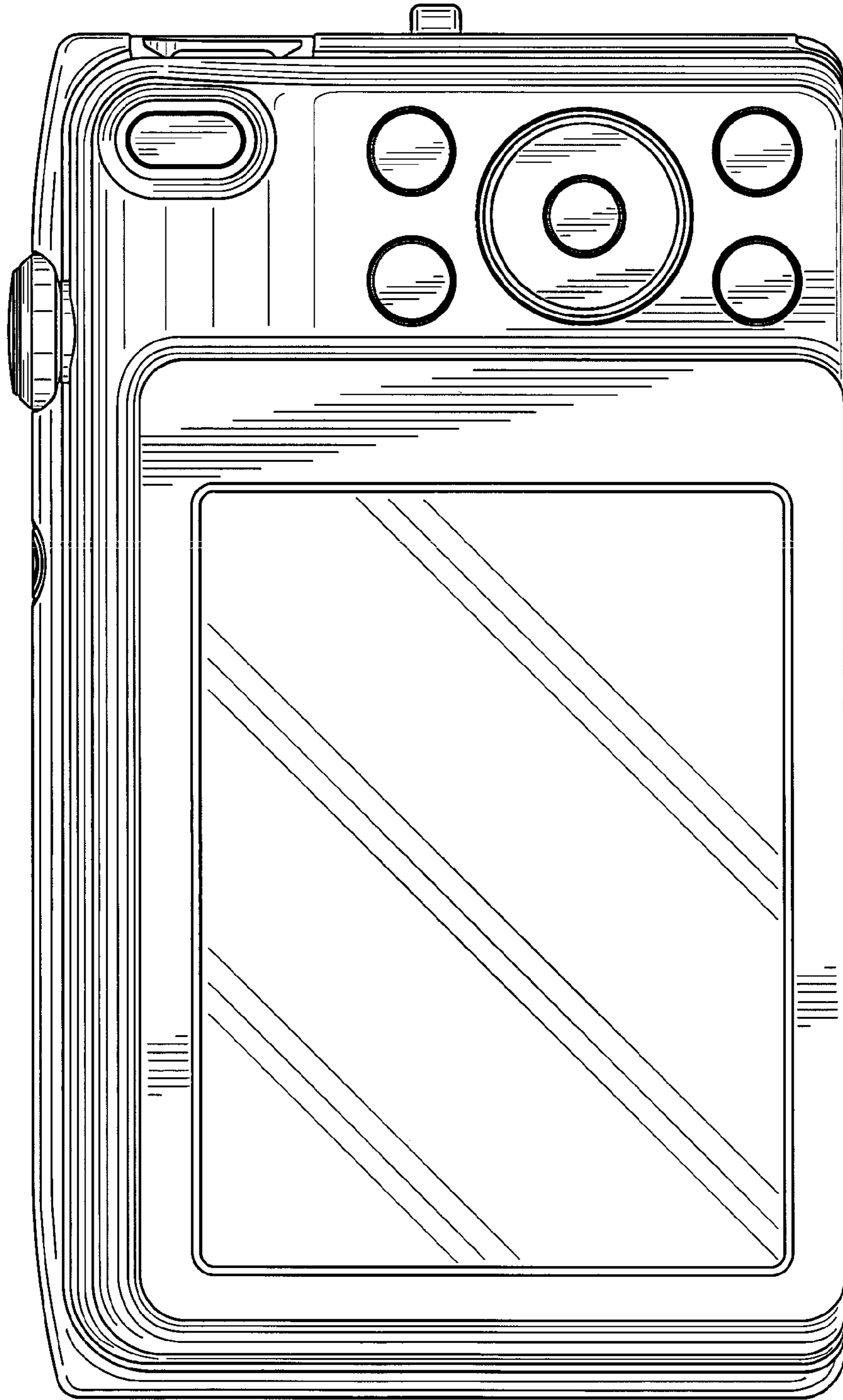
*FIG. 2*



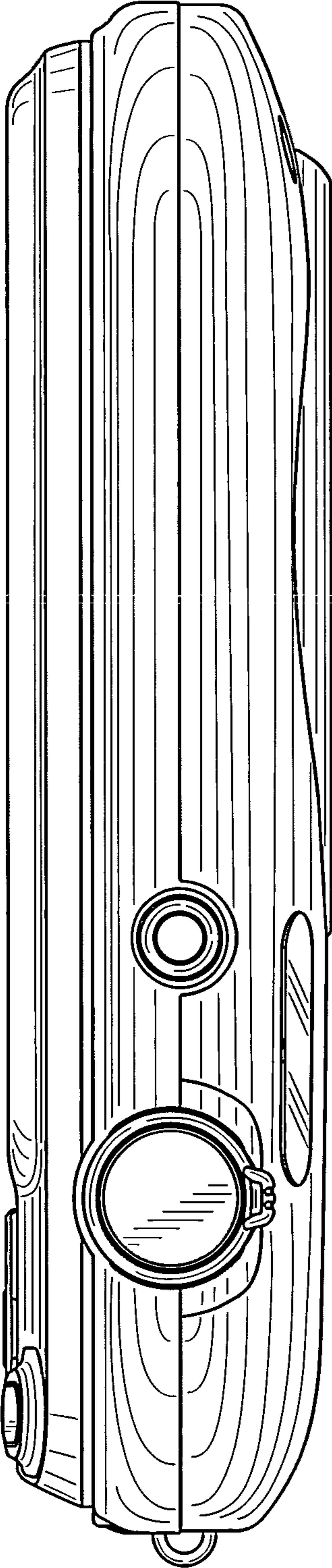
*FIG. 3*



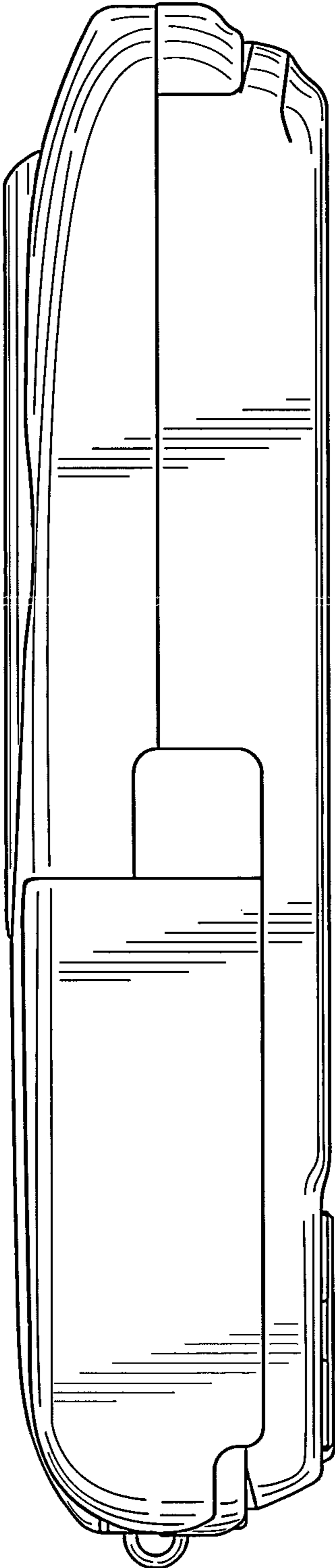
**FIG. 4**



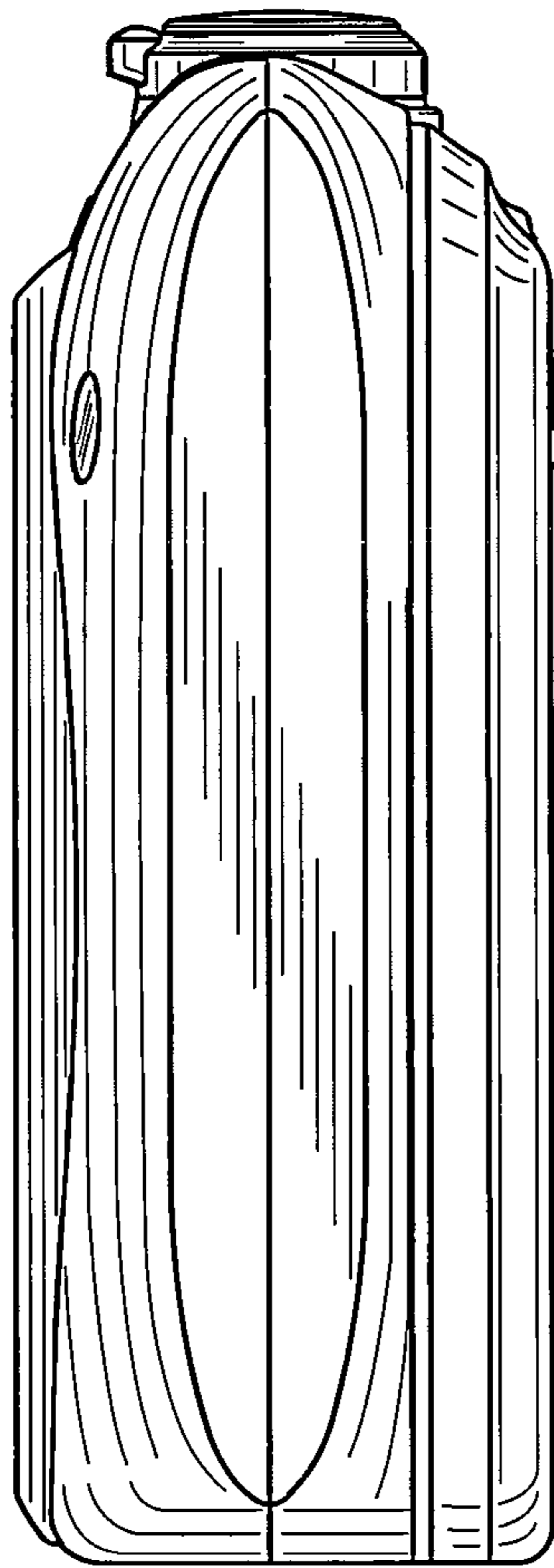
*FIG. 5*



**FIG. 6**



***FIG. 7***





*FIG. 8*

