



US00D717352S

(12) **United States Design Patent**
Manian

(10) **Patent No.:** **US D717,352 S**

(45) **Date of Patent:** **** Nov. 11, 2014**

(54) **CHUCK**

(56) **References Cited**

(71) Applicant: **Bala S. Manian**, Los Altos Hills, CA
(US)

U.S. PATENT DOCUMENTS

(72) Inventor: **Bala S. Manian**, Los Altos Hills, CA
(US)

4,516,358	A *	5/1985	Marton et al.	451/357
5,114,057	A *	5/1992	Ishikawa	223/37
D335,677	S *	5/1993	Davis et al.	D15/138
D424,076	S *	5/2000	Dibbern et al.	D15/140
D467,485	S *	12/2002	Daniels et al.	D8/70
D509,121	S *	9/2005	Hede	D8/70
D648,762	S *	11/2011	Mack	D15/140
2013/0093144	A1 *	4/2013	Bordeianu et al.	279/62
2014/0123597	A1 *	5/2014	Mallett	53/317

(73) Assignee: **Reamatrix, Inc.**, San Carlos, CA (US)

(**) Term: **14 Years**

* cited by examiner

(21) Appl. No.: **29/449,078**

Primary Examiner — Patricia Palasik

(74) *Attorney, Agent, or Firm* — Goodwin Procter LLP

(22) Filed: **Mar. 14, 2013**

(57) **CLAIM**

The ornamental design for a chuck, as shown and described.

(51) **LOC (10) Cl.** **15-08**

(52) **U.S. Cl.**

USPC **D15/140**

(58) **Field of Classification Search**

USPC D8/61-71; D15/138, 139, 140; 81/429;
175/320, 324, 393, 415; 279/60-64,
279/145, 157, 901-902; 299/33

See application file for complete search history.

DESCRIPTION

FIG. 1 is a perspective view of a chuck;

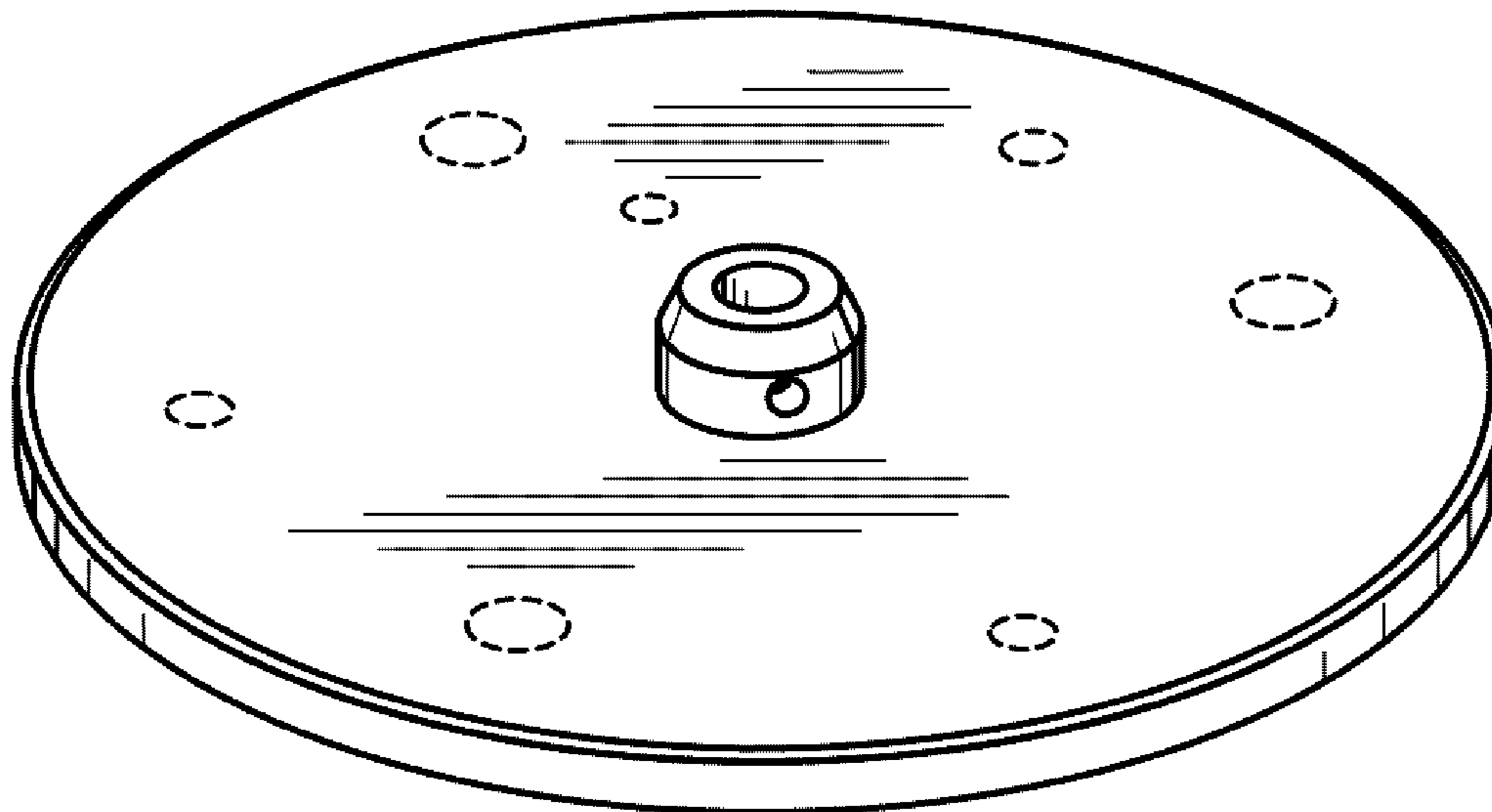
FIG. 2 is a top view of the chuck;

FIG. 3 is a bottom view of the chuck; and,

FIG. 4 is a side view of the chuck.

The broken lines shown in the drawings of a chuck are for illustrative purposes only and form no part of the claimed design.

1 Claim, 2 Drawing Sheets



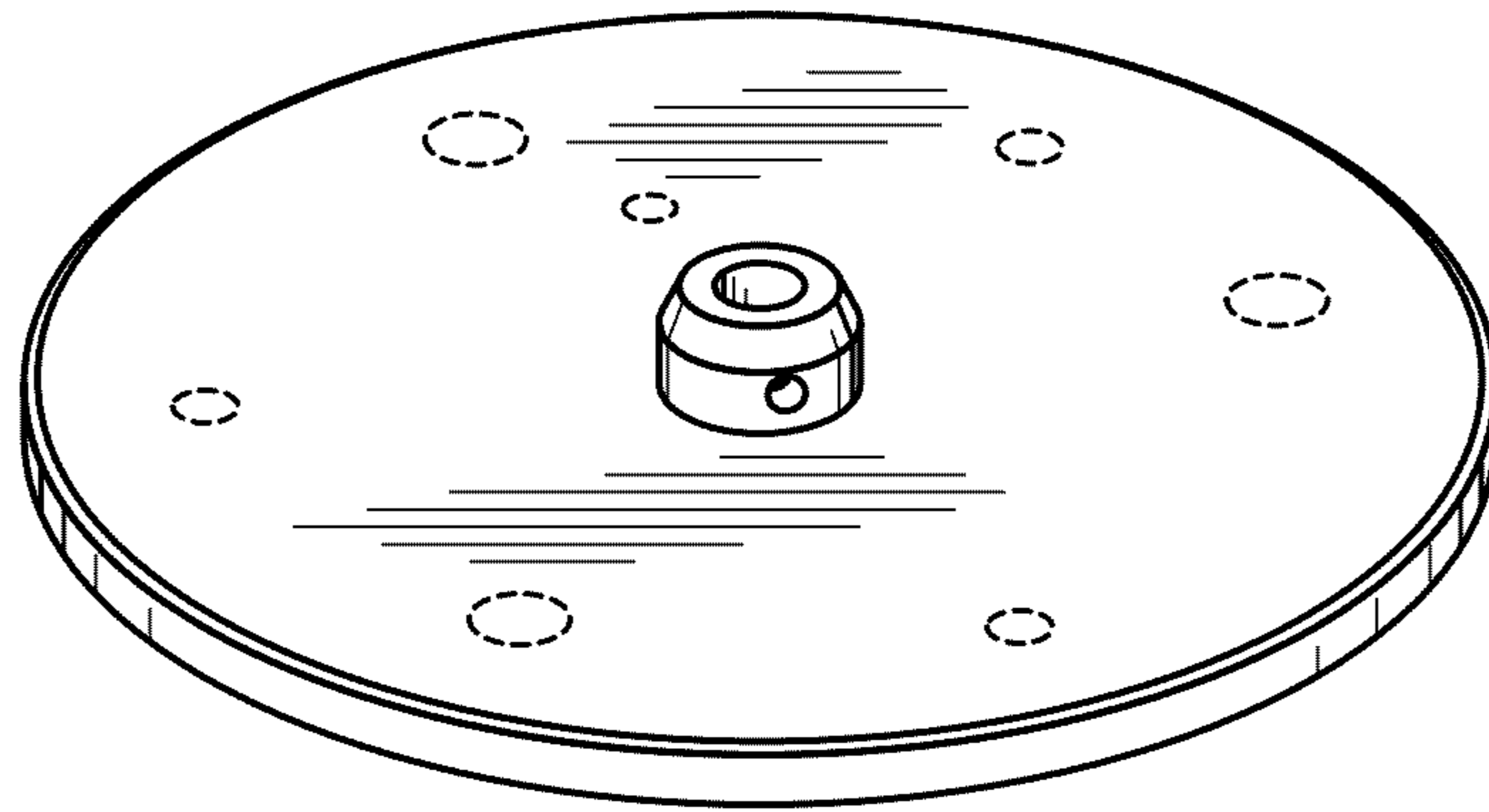


FIG. 1

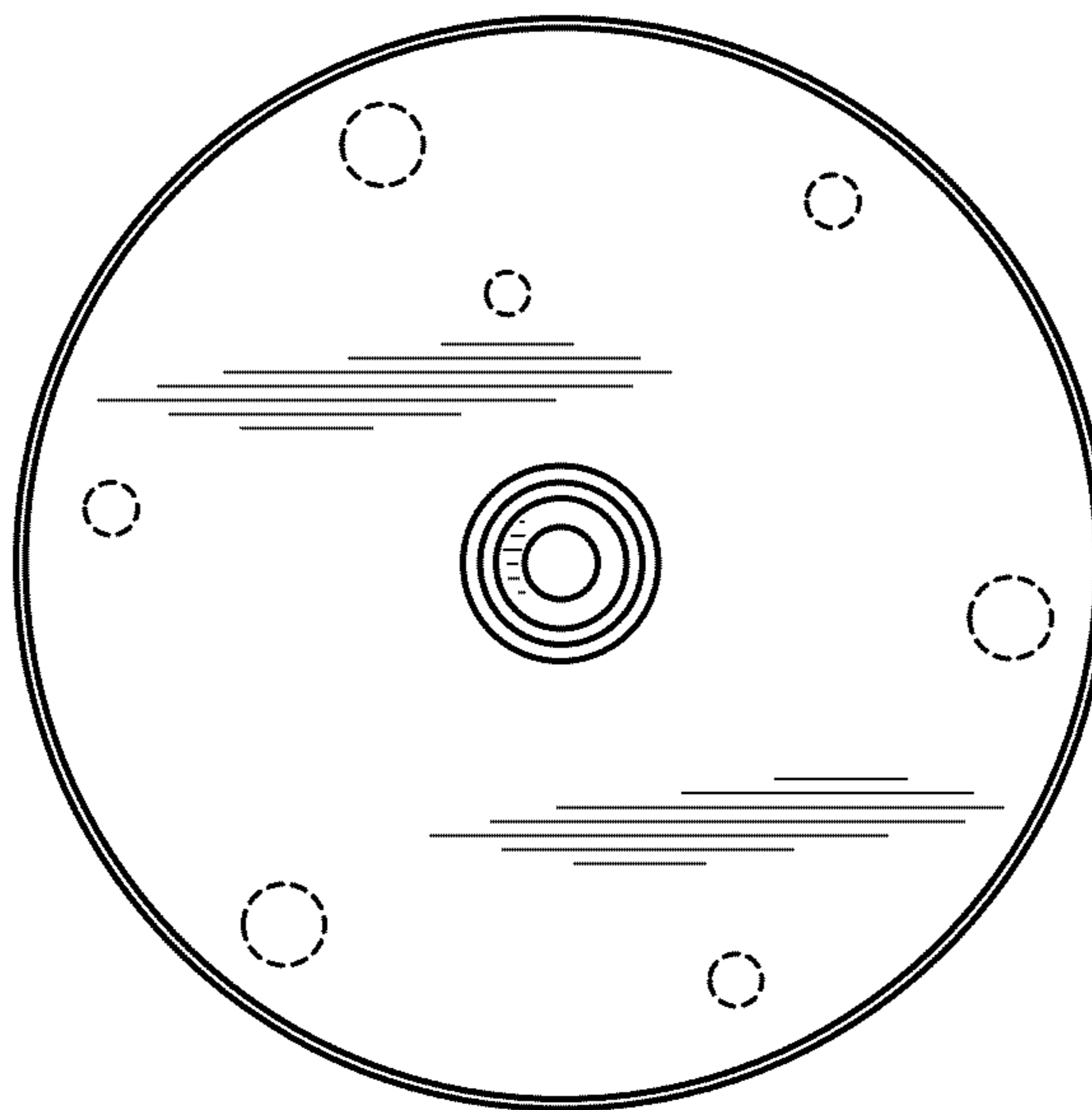


FIG. 2

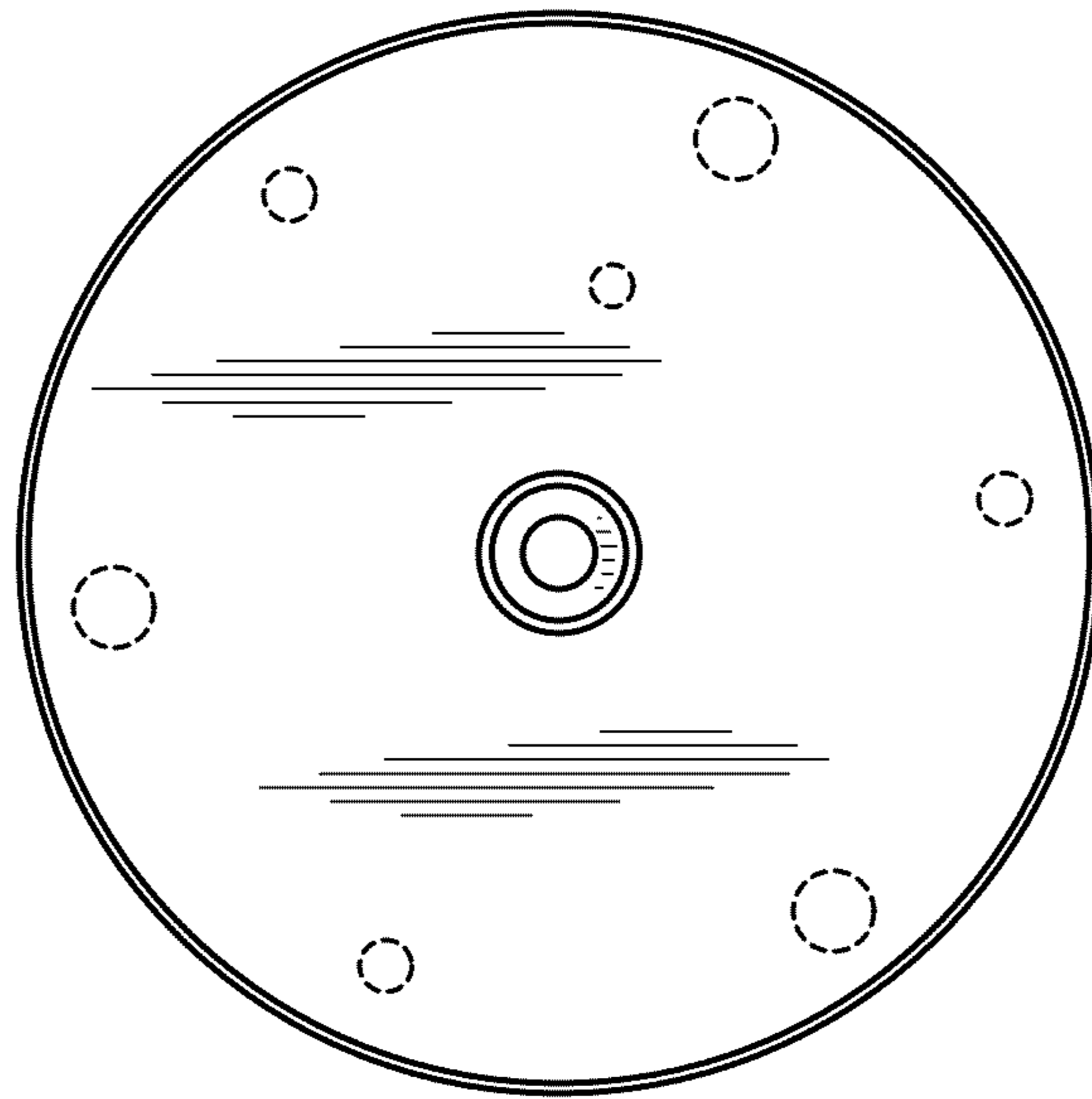


FIG. 3

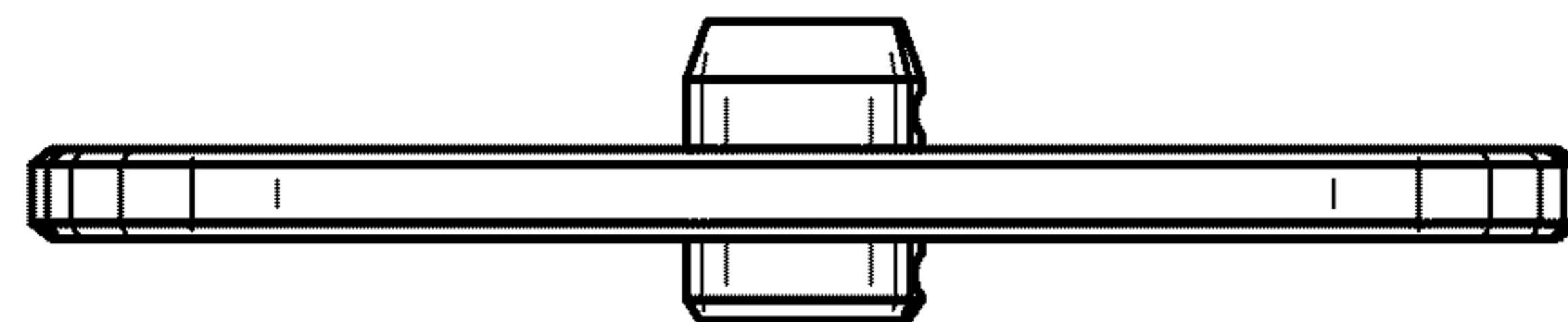


FIG. 4