



US00D717351S

(12) **United States Design Patent**  
**Burca**

(10) **Patent No.:** **US D717,351 S**  
(45) **Date of Patent:** **\*\* Nov. 11, 2014**

- (54) **PILOT DRILL BIT**
  - (71) Applicant: **Dennis Burca**, Calgary (CA)
  - (72) Inventor: **Dennis Burca**, Calgary (CA)
  - (\*\*) Term: **14 Years**
  - (21) Appl. No.: **29/479,597**
  - (22) Filed: **Jan. 17, 2014**
  - (51) **LOC (10) Cl.** ..... **15-09**
  - (52) **U.S. Cl.**  
USPC ..... **D15/139**
  - (58) **Field of Classification Search**  
USPC ..... D8/70, 71; D15/131, 132, 138, 139,  
D15/140; 76/102, 115; 83/845; 403/331,  
403/381; 407/9, 33, 34, 42, 54, 63, 110,  
407/113-115; 408/214, 215, 222, 223,  
408/226-230; 433/72, 165; 470/198;  
606/80
- See application file for complete search history.

5,975,222	A *	11/1999	Holte	.....	175/273
7,389,833	B2 *	6/2008	Walker et al.	.....	175/413
7,419,017	B2 *	9/2008	Walker et al.	.....	175/414
D700,922	S *	3/2014	Burca	.....	D15/139
D710,174	S *	8/2014	Moss	.....	D8/70
2006/0027399	A1 *	2/2006	Holte et al.	.....	175/57
2007/0095576	A1 *	5/2007	Walker et al.	.....	175/327
2010/0243333	A1 *	9/2010	Purcell	.....	175/414

\* cited by examiner

*Primary Examiner* — Patricia Palasik

(57) **CLAIM**  
The ornamental design for a pilot drill bit, as shown and described.

**DESCRIPTION**

FIG. 1 is a left side elevation view of the present design, pilot drill bit.  
 FIG. 2 is a rear end elevation view of the present design, pilot drill bit.  
 FIG. 3 is a rear left side perspective view of the present design, pilot drill bit; and,  
 FIG. 4 is a front right side perspective view of the present design, pilot drill bit.  
 The broken lines in the drawings depict unclaimed subject matter.

**1 Claim, 3 Drawing Sheets**

- (56) **References Cited**  
U.S. PATENT DOCUMENTS
- |           |     |         |               |       |         |
|-----------|-----|---------|---------------|-------|---------|
| 2,915,925 | A * | 12/1959 | Nipken        | ..... | 408/113 |
| 5,322,139 | A * | 6/1994  | Rose et al.   | ..... | 175/414 |
| 5,743,345 | A * | 4/1998  | Hollar et al. | ..... | 175/401 |

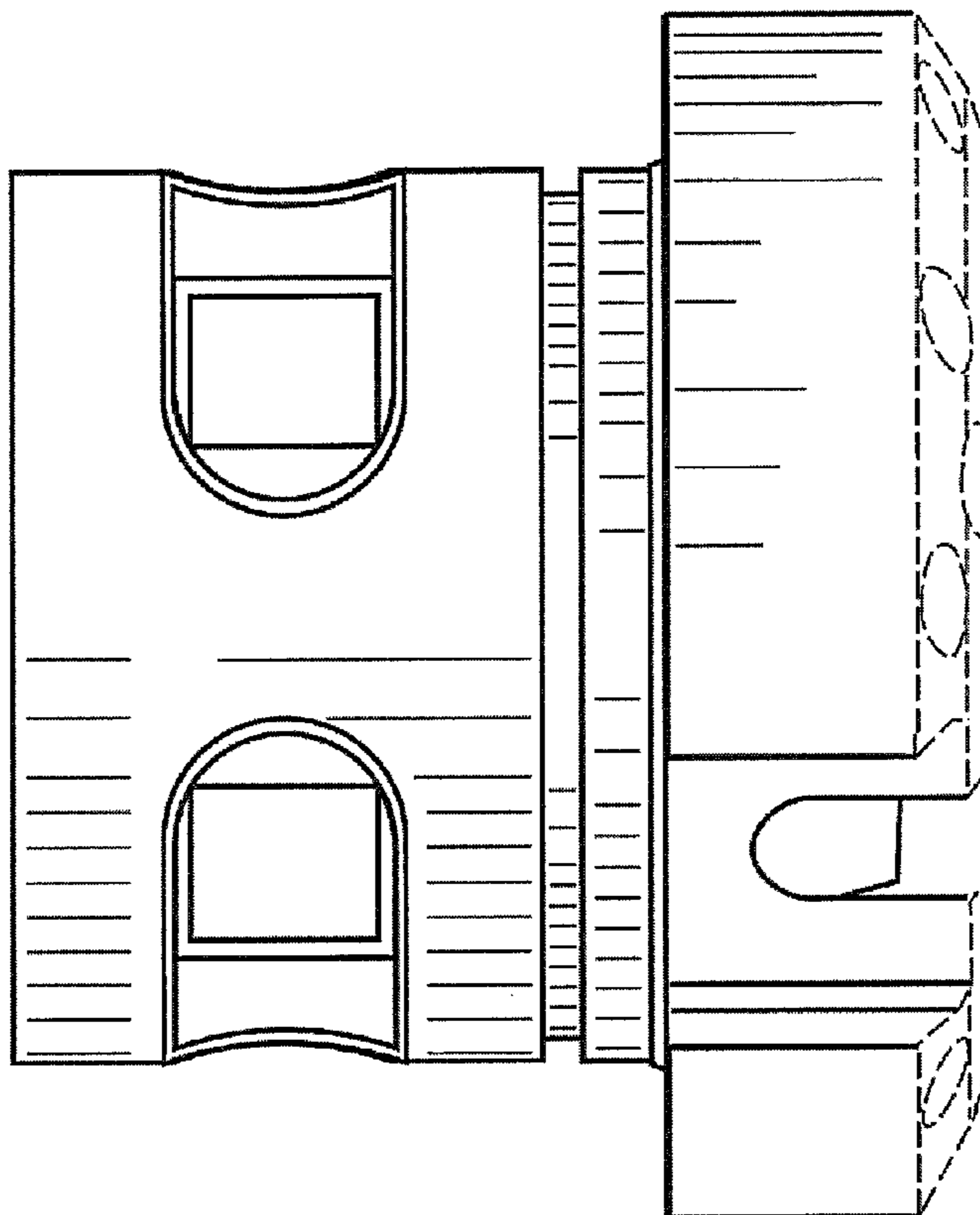


FIG. - 1

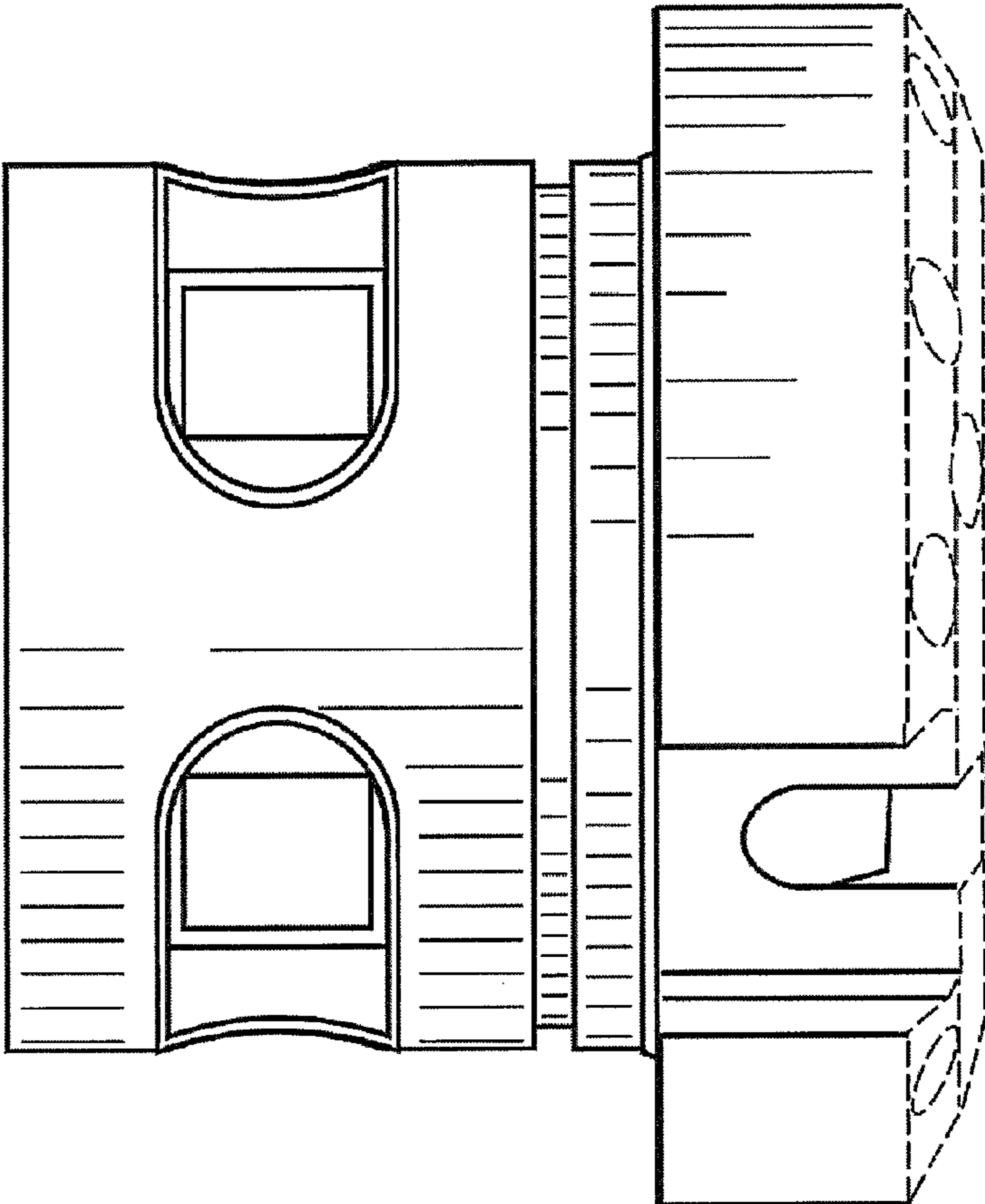


Fig. - 2

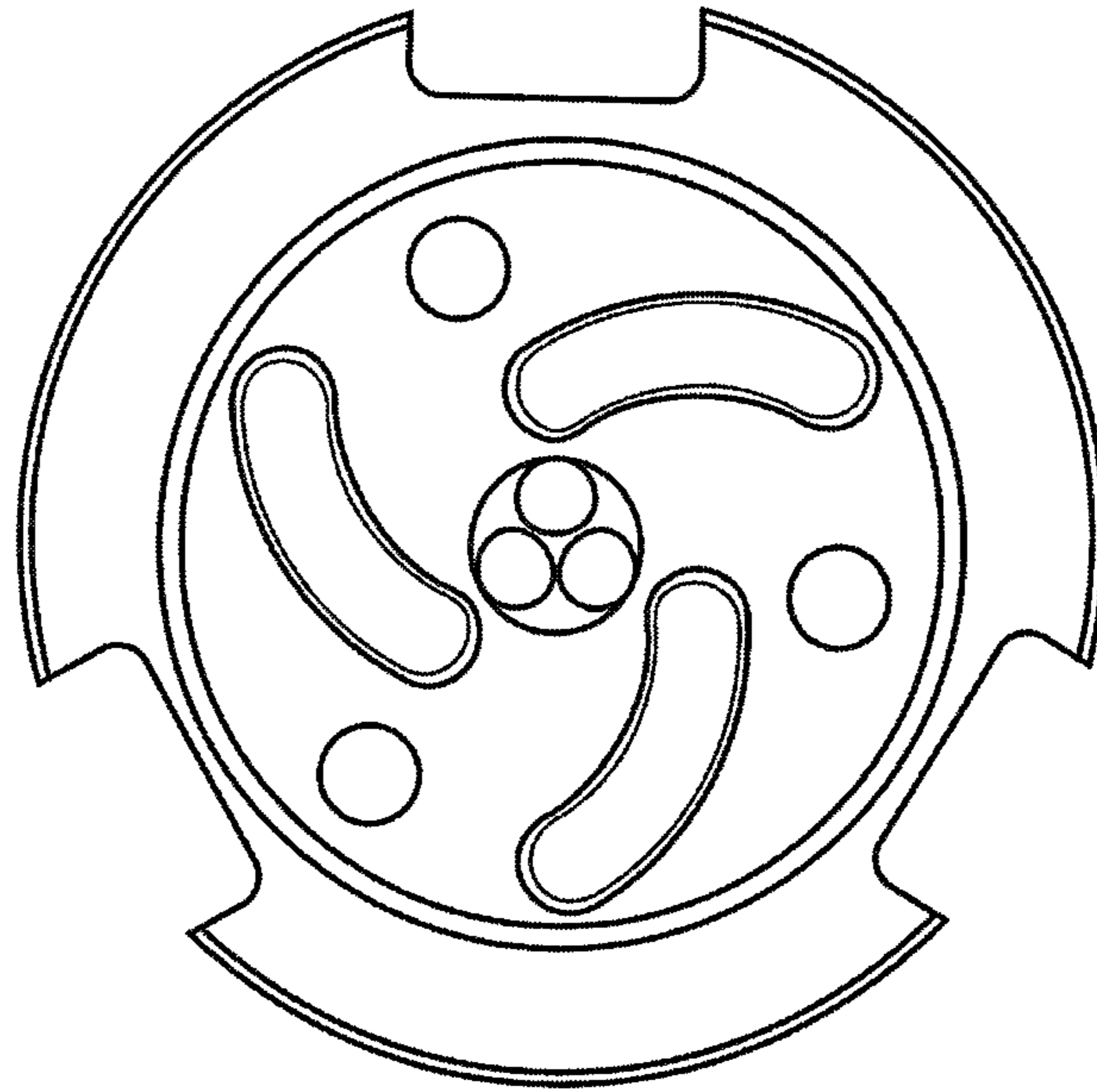


Fig. - 3

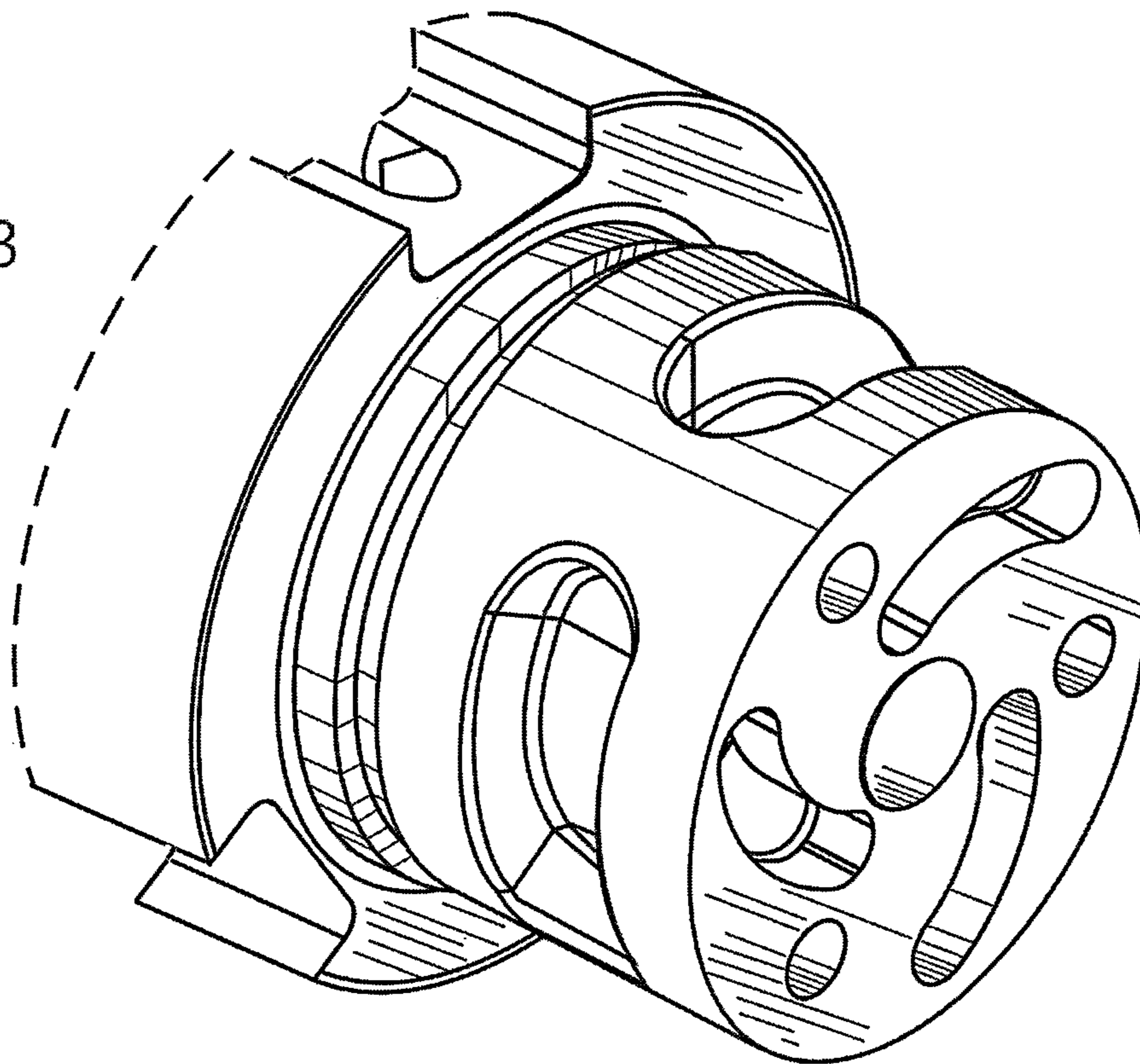


Fig. - 4

