



US00D717350S

(12) **United States Design Patent**
Chen

(10) **Patent No.:** **US D717,350 S**

(45) **Date of Patent:** **** Nov. 11, 2014**

(54) **CUTTING INSERT**

(75) Inventor: **Danny Chen**, Nahariya (IL)

(73) Assignee: **Iscar. Ltd.**, Tefen (IL)

(**) Term: **14 Years**

(21) Appl. No.: **29/409,974**

(22) Filed: **Dec. 30, 2011**

(30) **Foreign Application Priority Data**

Jul. 25, 2011 (IL) 51363

(51) **LOC (10) Cl.** **15-09**

(52) **U.S. Cl.**
USPC **D15/139**

(58) **Field of Classification Search**
USPC D8/70, 71; D15/131, 138, 139, 140;
407/35, 42, 112-119
See application file for complete search history.

(56) **References Cited**

U.S. PATENT DOCUMENTS

5,178,587 A * 1/1993 Ichiki 475/227
D372,486 S * 8/1996 Morris D15/140

6,123,488 A 9/2000 Kasperil et al.
D442,191 S * 5/2001 Alexander, IV D15/139
D445,809 S * 7/2001 Alexander, IV D15/139
D445,810 S * 7/2001 Alexander, IV D15/139
D644,255 S 8/2011 Lof et al.

* cited by examiner

Primary Examiner — Patricia Palasik

(74) *Attorney, Agent, or Firm* — Womble Carlyle

(57) **CLAIM**

The ornamental design of a cutting insert, as shown and described.

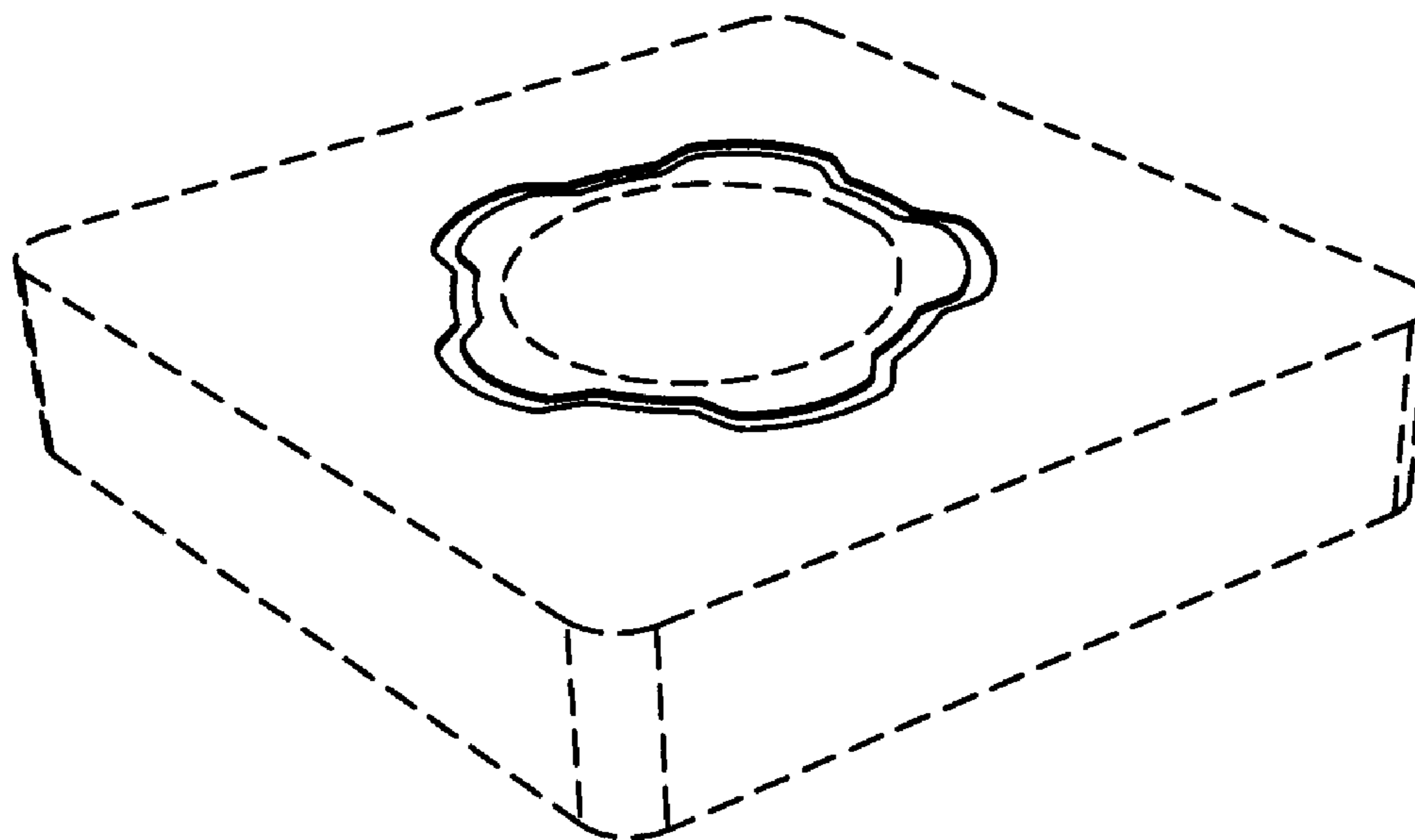
DESCRIPTION

FIG. 1 is an isometric view of my new design;
FIG. 2 is a top view thereof; and,
FIG. 3 is a side view thereof.

The broken lines in the drawings depict unclaimed environmental subject matter.

The ornamental design includes a pair of parallel edges defining the inner and outer periphery of a recessed surface. No portion of the cutting insert between each broken line and a respective solid line as seen in FIG. 2 forms any part of the claimed design.

1 Claim, 1 Drawing Sheet



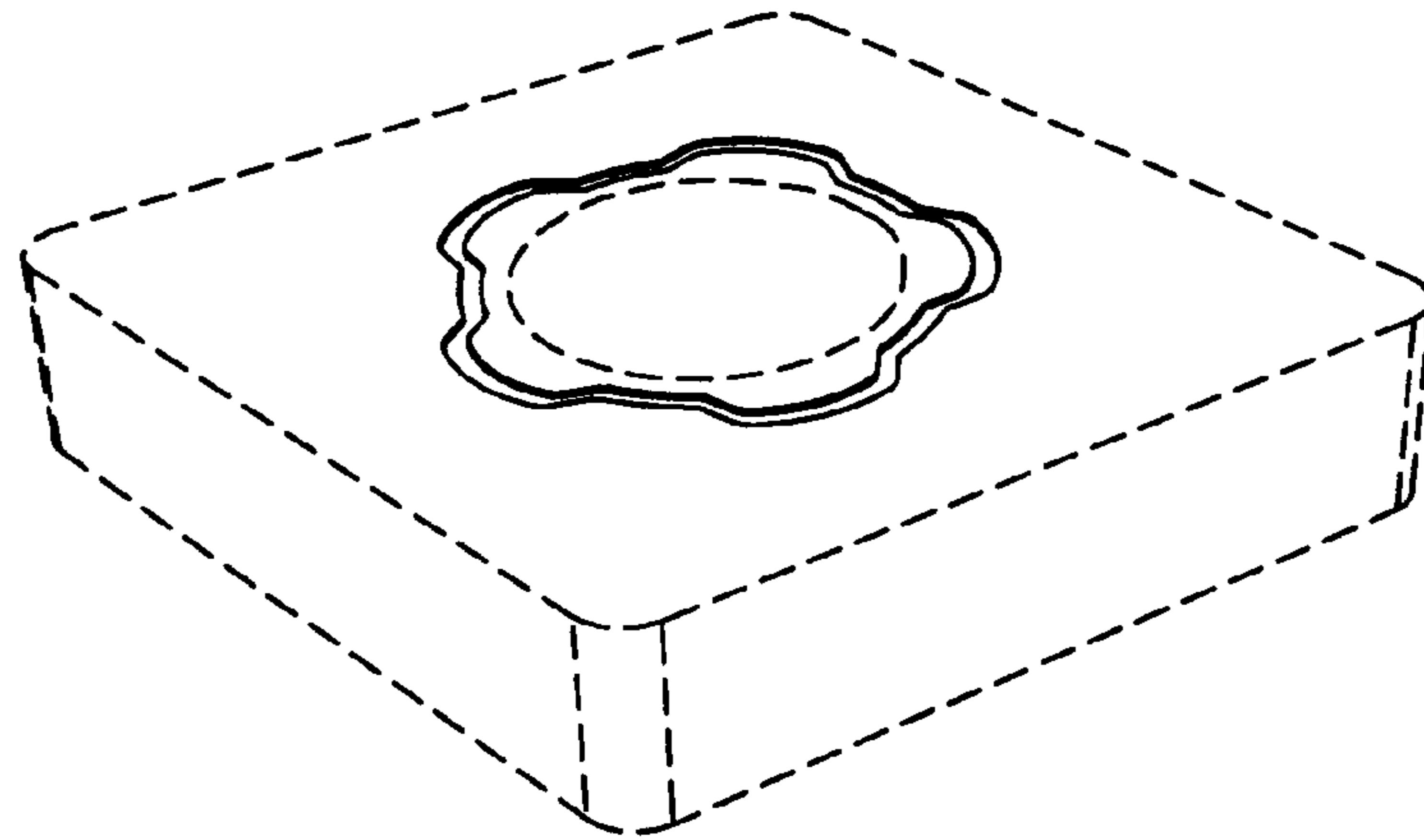


FIG. 1

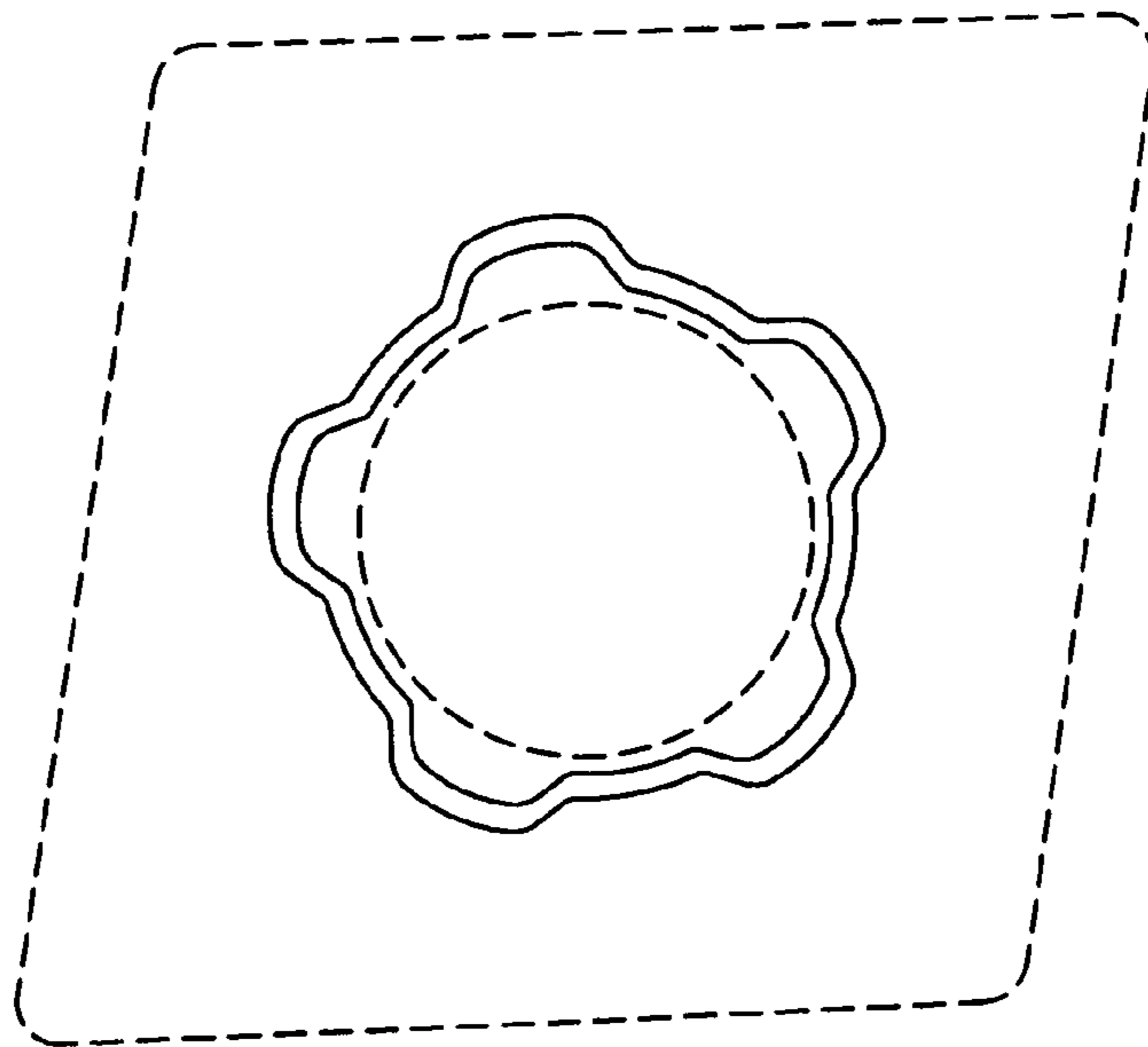


FIG. 2



FIG. 3