



US00D717349S

(12) **United States Design Patent**  
**Seo et al.**

(10) **Patent No.:** **US D717,349 S**

(45) **Date of Patent:** **\*\* \*Nov. 11, 2014**

(54) **REFRIGERATOR SHELF**

(71) Applicant: **LG Electronics Inc.**, Seoul (KR)

(72) Inventors: **Woon Kyu Seo**, Seoul (KR); **Seon Kyu Kim**, Seoul (KR); **Soo Min Seo**, Seoul (KR); **Dae Sung Lee**, Seoul (KR)

(73) Assignee: **LG Electronics Inc.**, Seoul (KR)

(\*) Notice: This patent is subject to a terminal disclaimer.

(\*\*) Term: **14 Years**

(21) Appl. No.: **29/459,779**

(22) Filed: **Jul. 3, 2013**

(30) **Foreign Application Priority Data**

Jan. 21, 2013 (KR) ..... 30-2013-0003518

(51) **LOC (10) Cl.** ..... **15-07**

(52) **U.S. Cl.**  
USPC ..... **D15/89**

(58) **Field of Classification Search**  
USPC ..... D15/79-89, 91; 62/3.6, 125, 126, 187,  
62/246-255; 312/116, 138.1, 236, 321.5,  
312/330.1, 400-409; 211/134; 108/108  
See application file for complete search history.

(56) **References Cited**

**U.S. PATENT DOCUMENTS**

D309,461	S	*	7/1990	Bussan et al.	.....	D15/89
4,960,308	A	*	10/1990	Donaghy	.....	312/404
6,729,704	B2	*	5/2004	Ames	.....	312/408
D495,720	S	*	9/2004	Avalos Barcenas et al.	...	D15/89
D515,598	S	*	2/2006	Vardon	.....	D15/89
D515,599	S	*	2/2006	Vardon	.....	D15/89
D516,100	S	*	2/2006	Vardon	.....	D15/89

D516,101	S	*	2/2006	Vardon	.....	D15/89
D516,102	S	*	2/2006	Vardon	.....	D15/89
D523,034	S	*	6/2006	Vardon	.....	D15/89
D523,450	S	*	6/2006	Vardon	.....	D15/89
D525,269	S	*	7/2006	Vardon	.....	D15/89
D525,633	S	*	7/2006	Vardon	.....	D15/89
7,270,385	B2	*	9/2007	Mathur et al.	.....	312/408
D557,293	S	*	12/2007	Vardon	.....	D15/89
D559,280	S	*	1/2008	Vardon	.....	D15/89
D559,281	S	*	1/2008	Vardon	.....	D15/89
D559,282	S	*	1/2008	Vardon	.....	D15/89
D562,854	S	*	2/2008	Vardon	.....	D15/89
D568,344	S	*	5/2008	Baacke et al.	.....	D15/89
D577,744	S	*	9/2008	Baacke et al.	.....	D15/89
D612,404	S	*	3/2010	Picken et al.	.....	D15/89
D612,405	S	*	3/2010	Eicher	.....	D15/89
D613,316	S	*	4/2010	Schmidt	.....	D15/89
8,414,095	B2	*	4/2013	Stewart	.....	312/408
D694,292	S	*	11/2013	Eby et al.	.....	D15/89

\* cited by examiner

*Primary Examiner* — Mitchell Siegel

(74) *Attorney, Agent, or Firm* — Birch, Stewart, Kolasch & Birch, LLP

(57) **CLAIM**

We claim the ornamental design for a refrigerator shelf, as shown and described.

**DESCRIPTION**

FIG. 1 is a perspective view of a refrigerator shelf showing the new design;  
FIG. 2 is a front elevation view thereof;  
FIG. 3 is a rear elevation view thereof;  
FIG. 4 is a left-side elevation view thereof;  
FIG. 5 is a right-side elevation view thereof;  
FIG. 6 is a top plan view thereof;  
FIG. 7 is a bottom plan view thereof; and,  
FIG. 8 is a perspective view thereof, the shelf being shown in an alternate position.

**1 Claim, 5 Drawing Sheets**

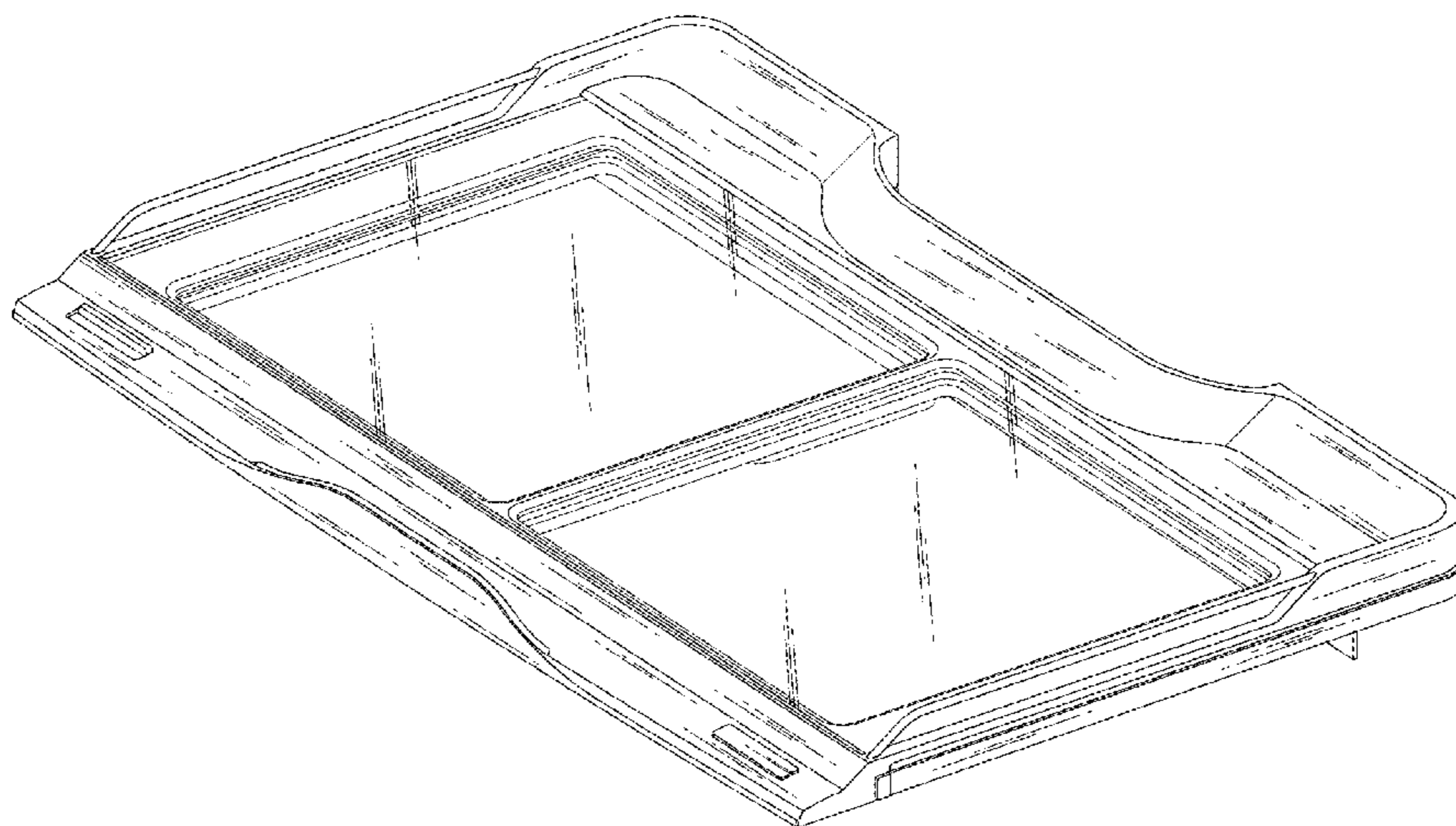


FIG. 1

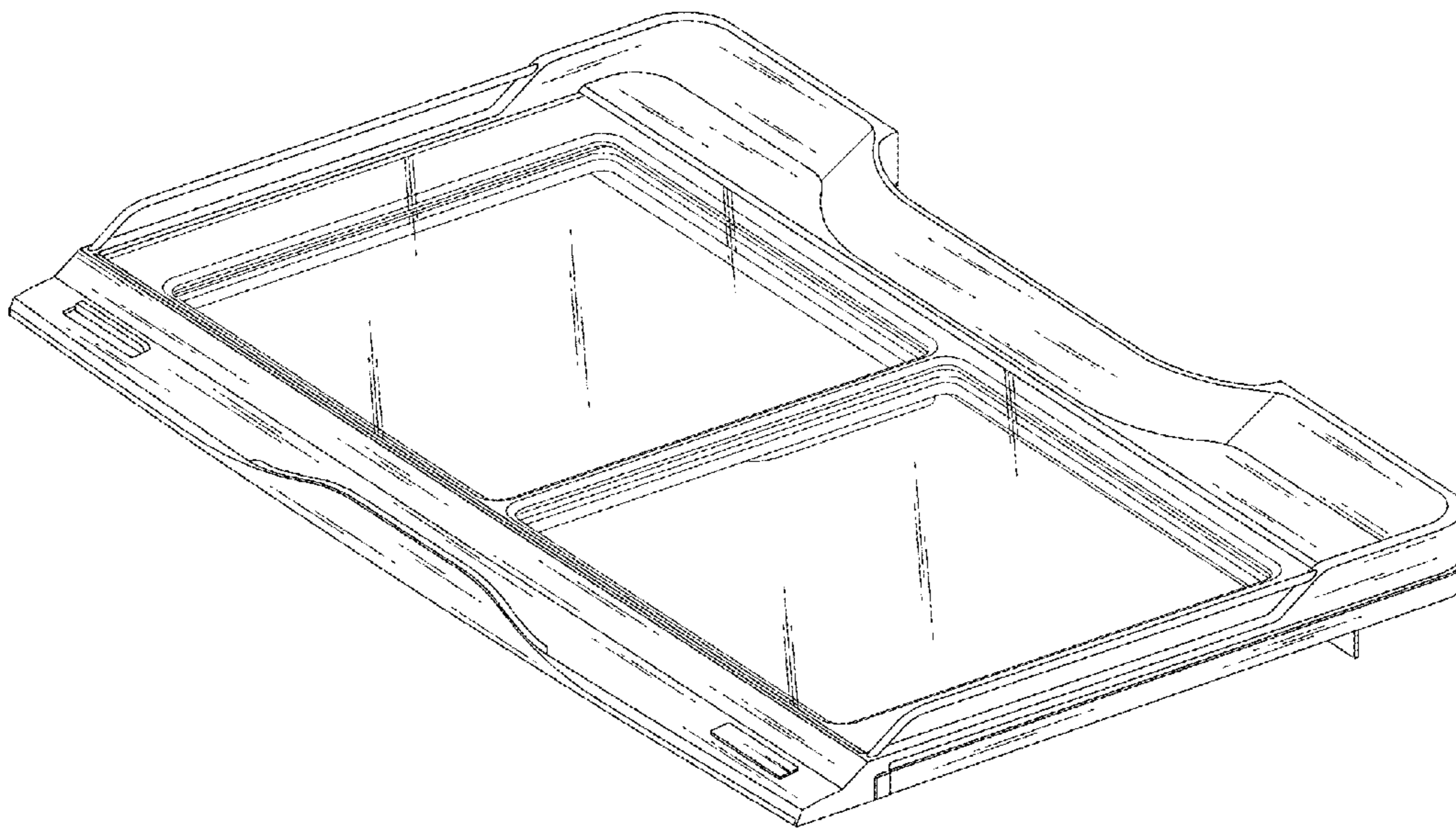


FIG. 2

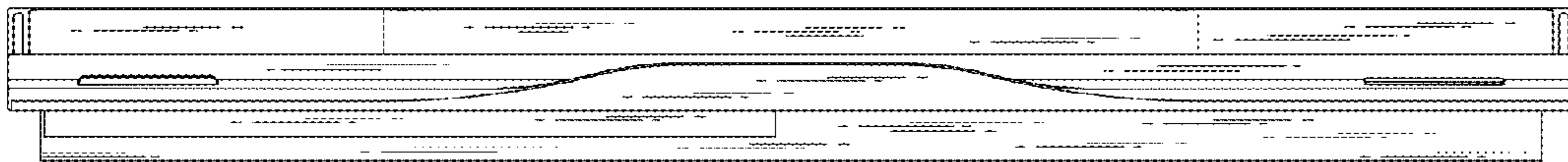


FIG. 3

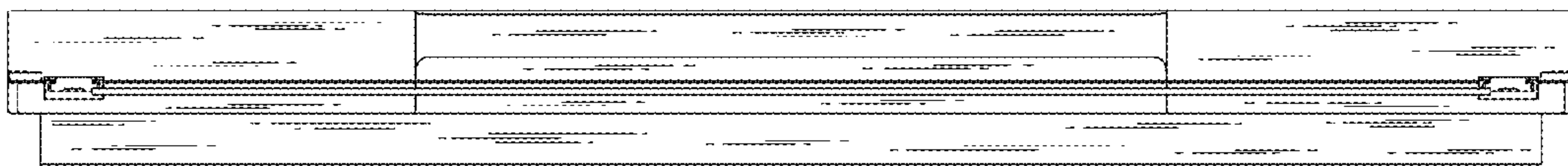


FIG. 4

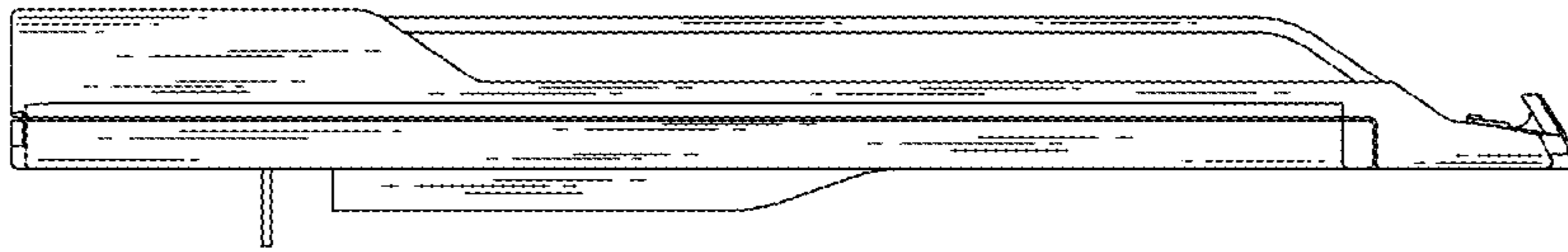


FIG. 5

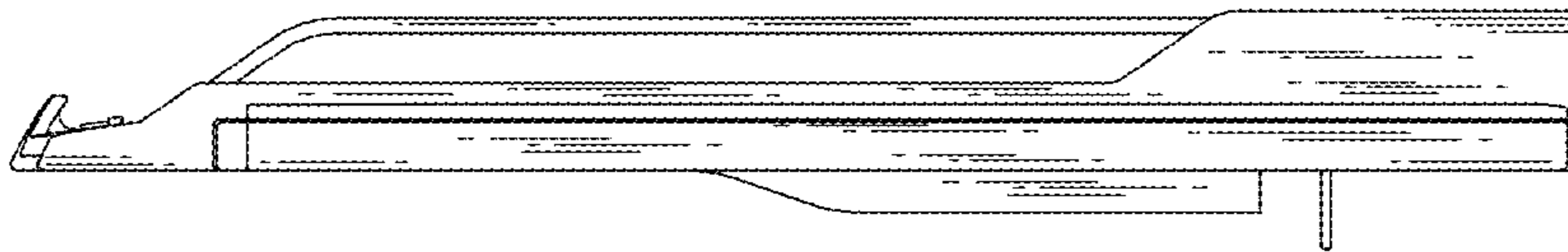


FIG. 6

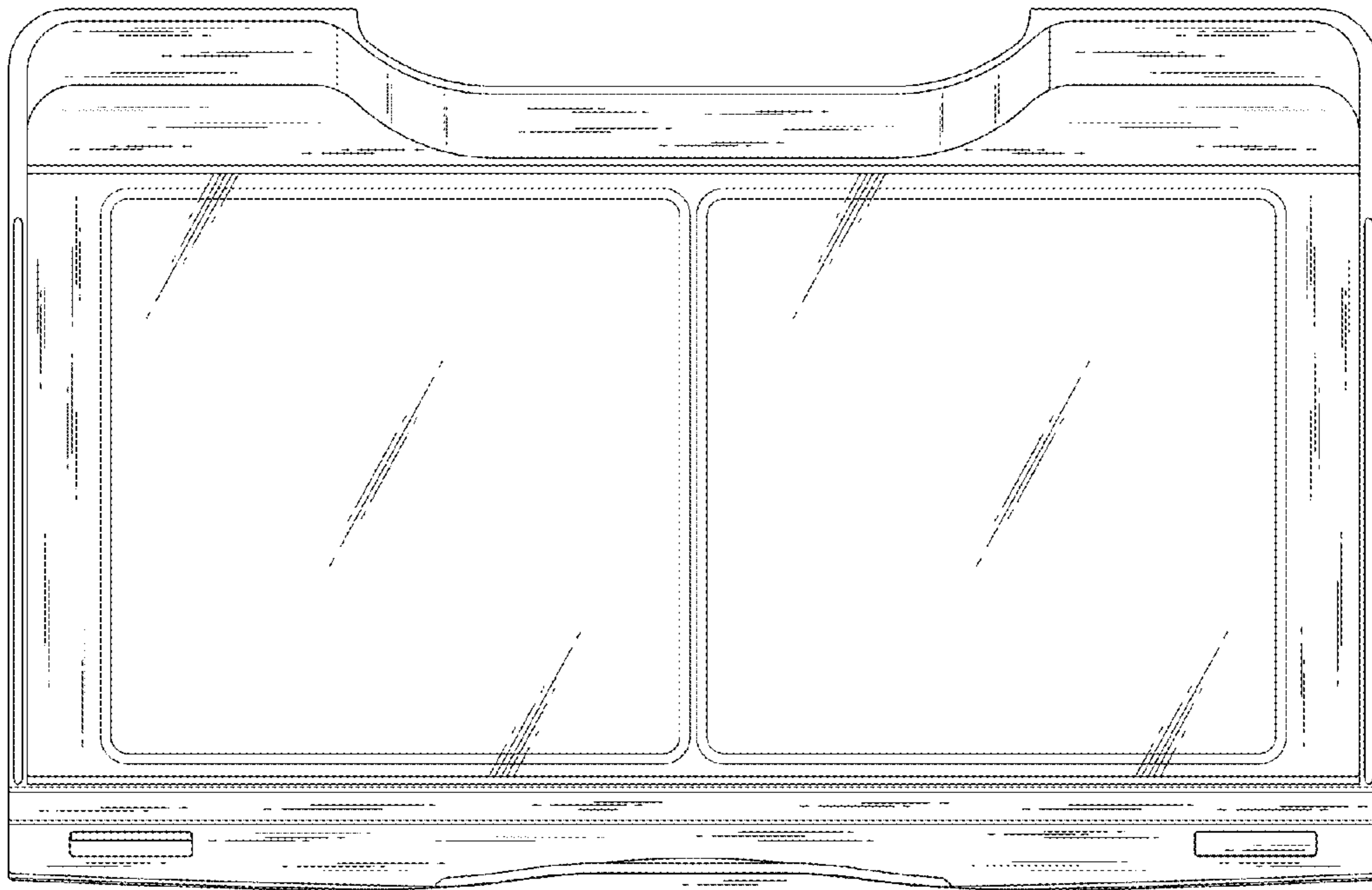


FIG. 7

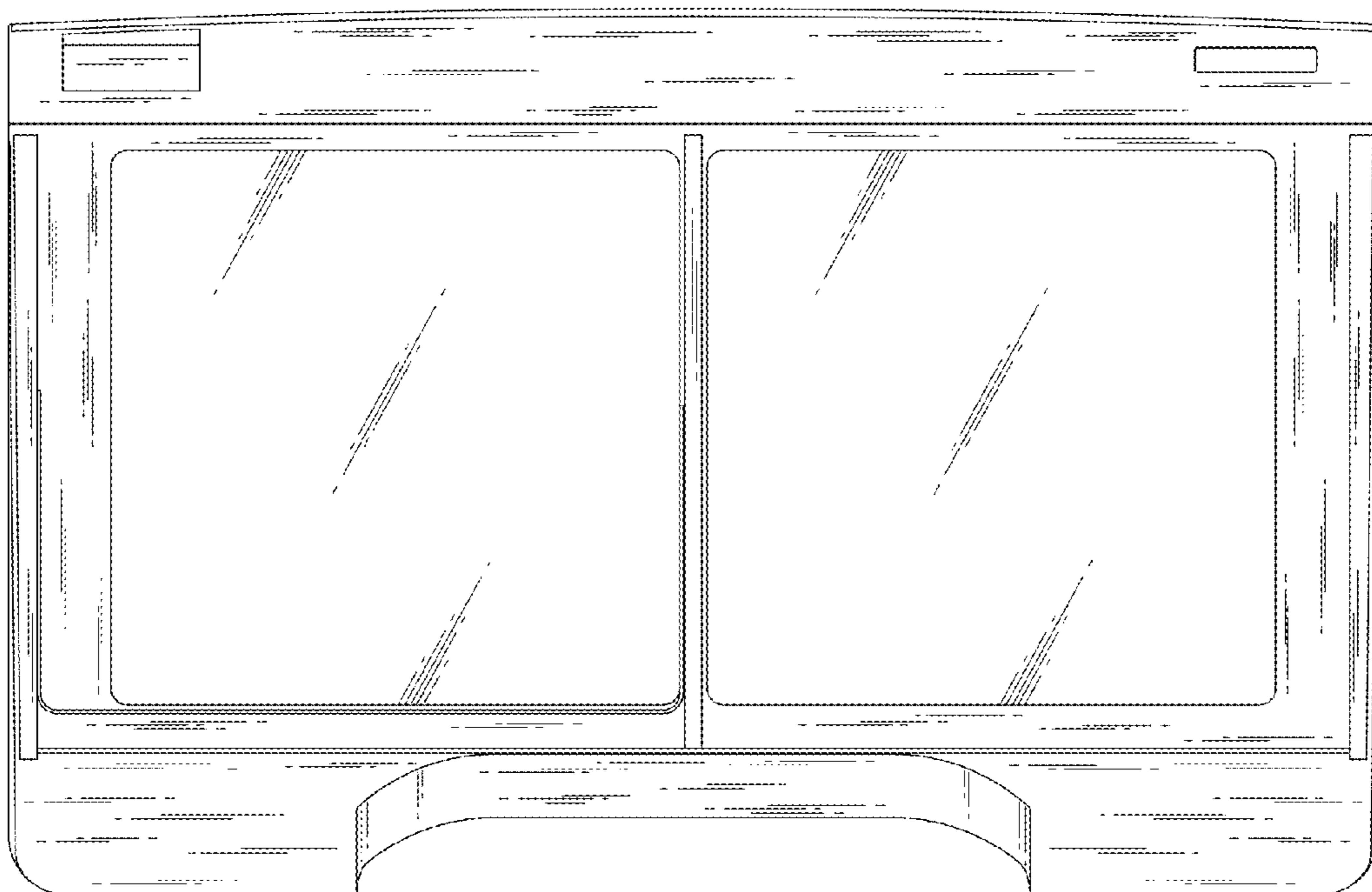


FIG. 8

