



US00D717346S

(12) **United States Design Patent**
Ishii

(10) **Patent No.:** **US D717,346 S**
(45) **Date of Patent:** **** Nov. 11, 2014**

(54) **EXCAVATOR**

(71) Applicant: **Yanmar Co., Ltd.**, Osaka (JP)

(72) Inventor: **Hisayuki Ishii**, Chikugo (JP)

(73) Assignee: **Yanmar Co., Ltd.**, Osaka (JP)

(**) Term: **14 Years**

(21) Appl. No.: **29/480,497**

(22) Filed: **Jan. 27, 2014**

(30) **Foreign Application Priority Data**

Jul. 29, 2013 (JP) 2013-017224

(51) **LOC (10) Cl.** **15-03**

(52) **U.S. Cl.**
USPC **D15/28**

(58) **Field of Classification Search**
USPC D15/22-26, 28, 17; 180/89.1, 89.12,
180/235, 900; 414/694, 699, 722-724;
280/400

See application file for complete search history.

(56) **References Cited**

U.S. PATENT DOCUMENTS

D433,689 S *	11/2000	Kraft et al.	D15/30
D487,100 S *	2/2004	Tokach et al.	D15/30
D487,575 S *	3/2004	Wetzel et al.	D15/33
D506,211 S *	6/2005	Kuwae et al.	D15/33
D510,366 S *	10/2005	Kuwae et al.	D15/28
D528,568 S *	9/2006	Kuwae et al.	D15/28
D576,182 S *	9/2008	Murakami et al.	D15/28
D582,946 S *	12/2008	Ochi et al.	D15/28
D635,592 S *	4/2011	Shimomura et al.	D15/28

D681,689 S *	5/2013	Saito et al.	D15/24
D682,891 S *	5/2013	Kinoshita	D15/25
D684,598 S *	6/2013	Hagura et al.	D15/24
D684,599 S *	6/2013	Saito et al.	D15/24
D685,008 S *	6/2013	Hagura et al.	D15/28
D685,009 S *	6/2013	Saito et al.	D15/28

* cited by examiner

Primary Examiner — Mark Goodwin

(74) *Attorney, Agent, or Firm* — Sterne, Kessler, Goldstein & Fox P.L.L.C.

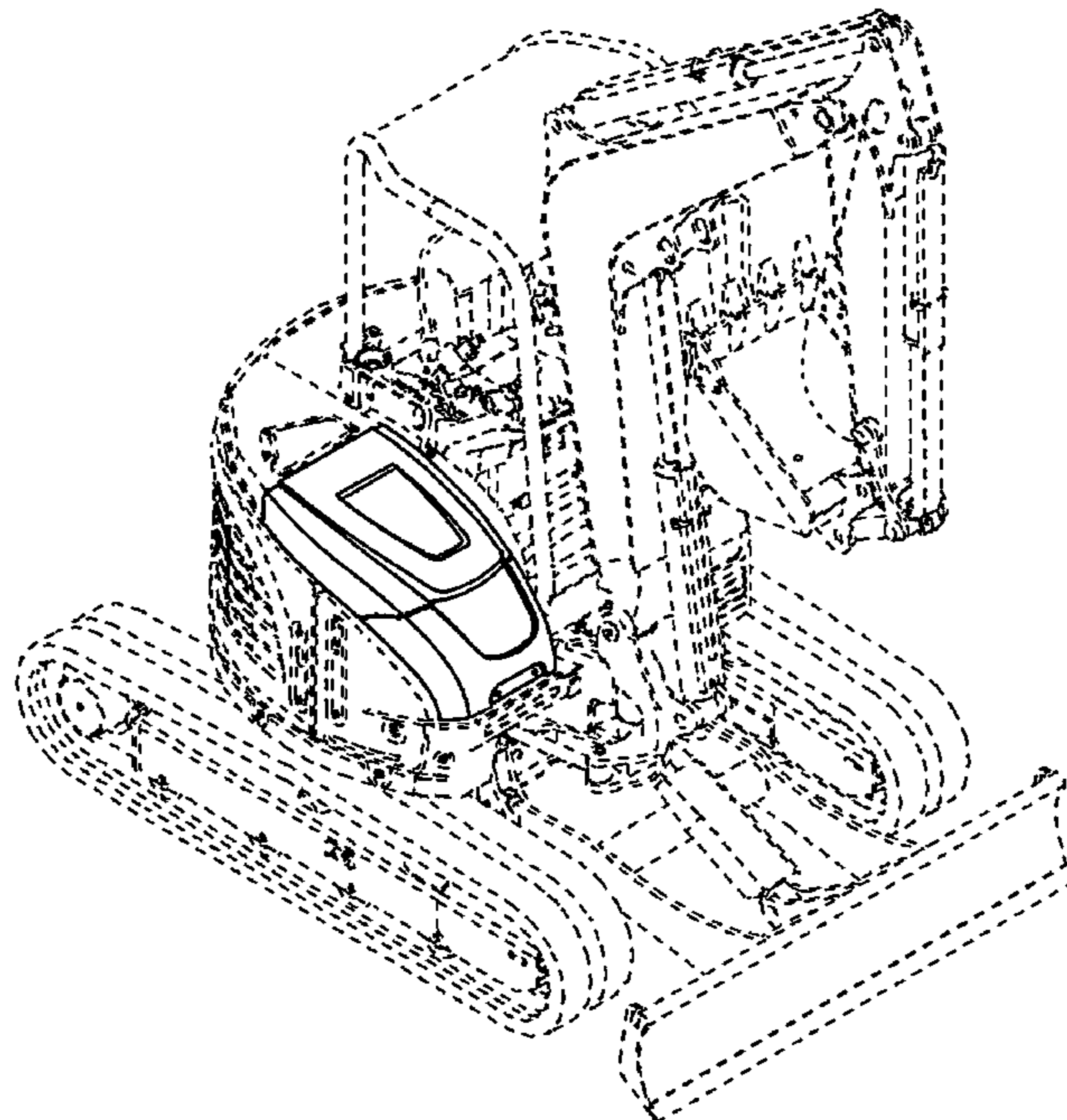
(57) **CLAIM**

The ornamental design for an excavator, as shown and described.

DESCRIPTION

FIG. 1 is a top front left perspective view of an excavator showing our new design;
FIG. 2 is a top front right perspective view thereof;
FIG. 3 is a top rear perspective view thereof;
FIG. 4 is a front view thereof;
FIG. 5 is a rear view thereof;
FIG. 6 is a top plan view thereof;
FIG. 7 is a bottom plan view thereof;
FIG. 8 is a left side view thereof;
FIG. 9 is a right side view thereof;
FIG. 10 is a left side view of the excavator of FIG. 1 in an alternate position; and,
FIG. 11 is an enlarged view thereof.
The broken lines in the Figures show portions of the excavator, which form no part of the claimed design.

1 Claim, 11 Drawing Sheets



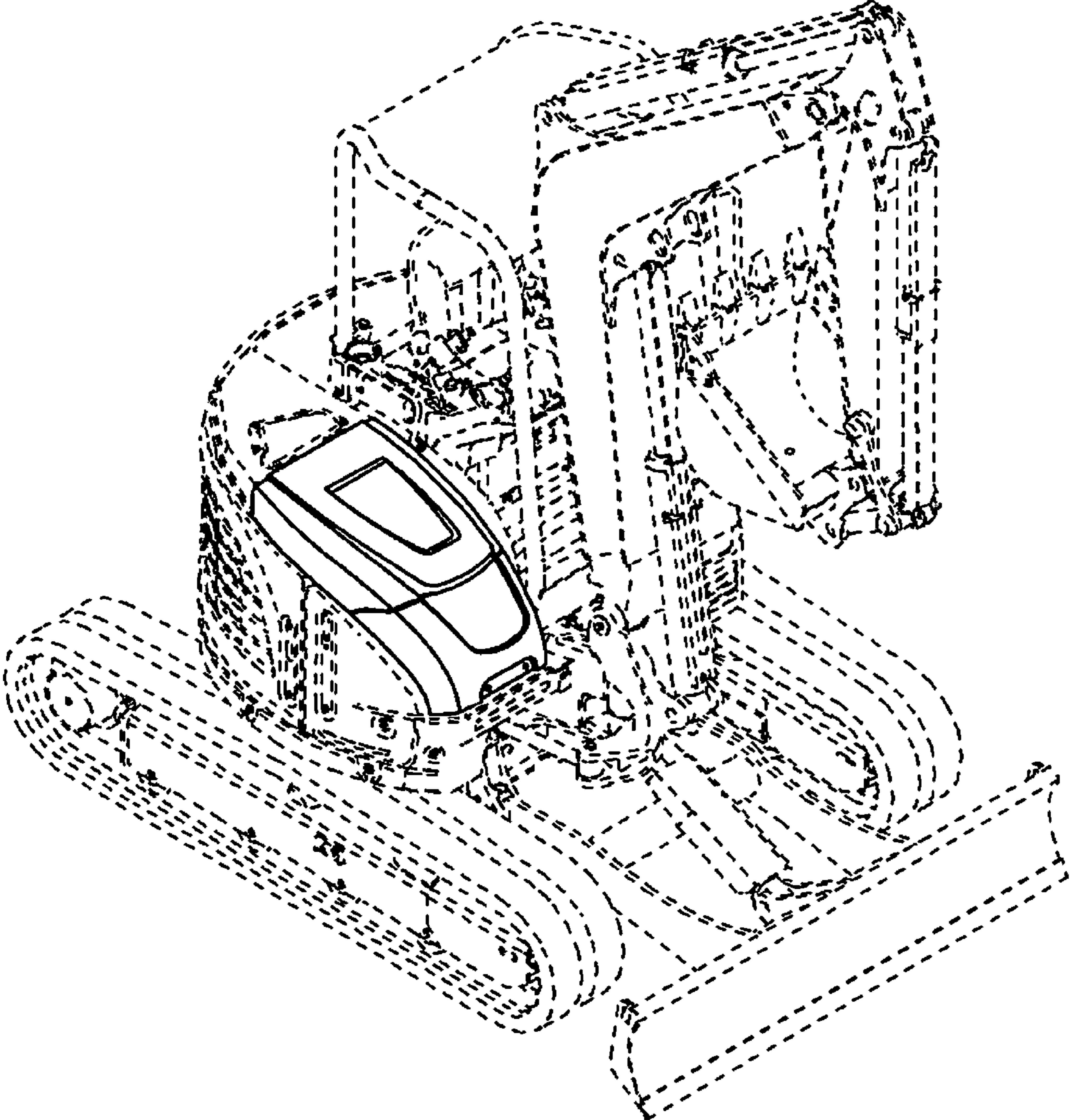


FIG. 1

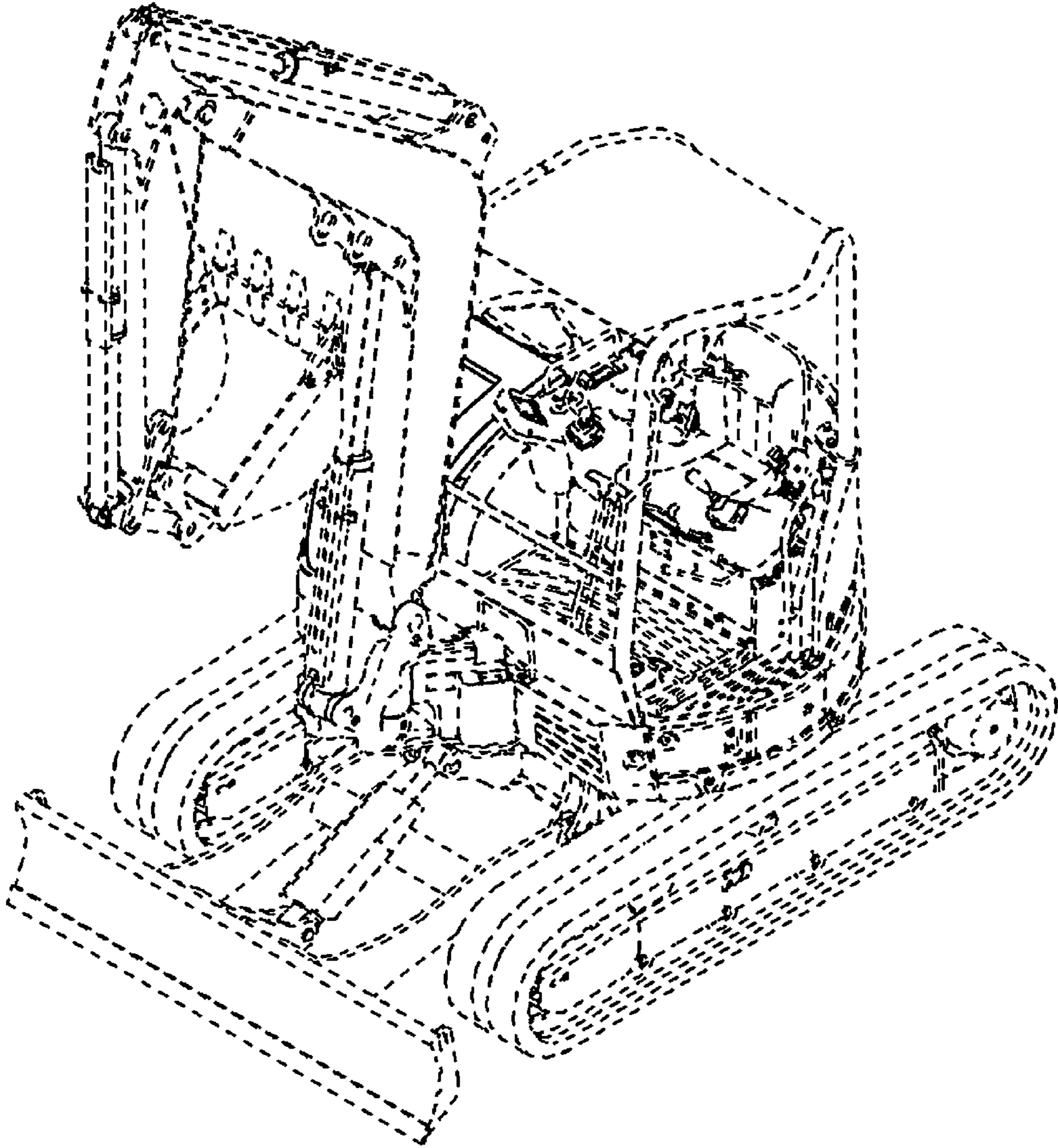


FIG. 2

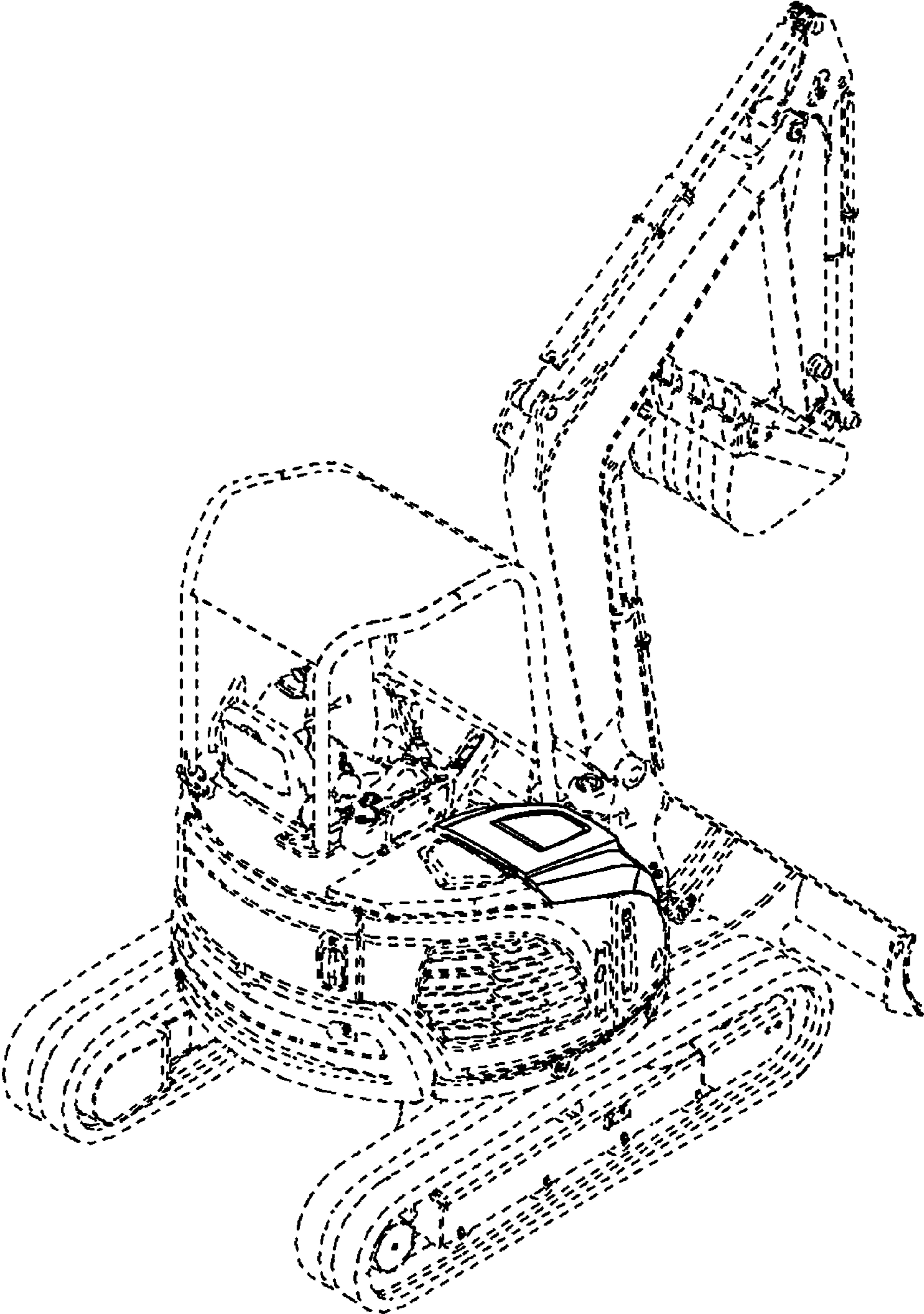


FIG. 3

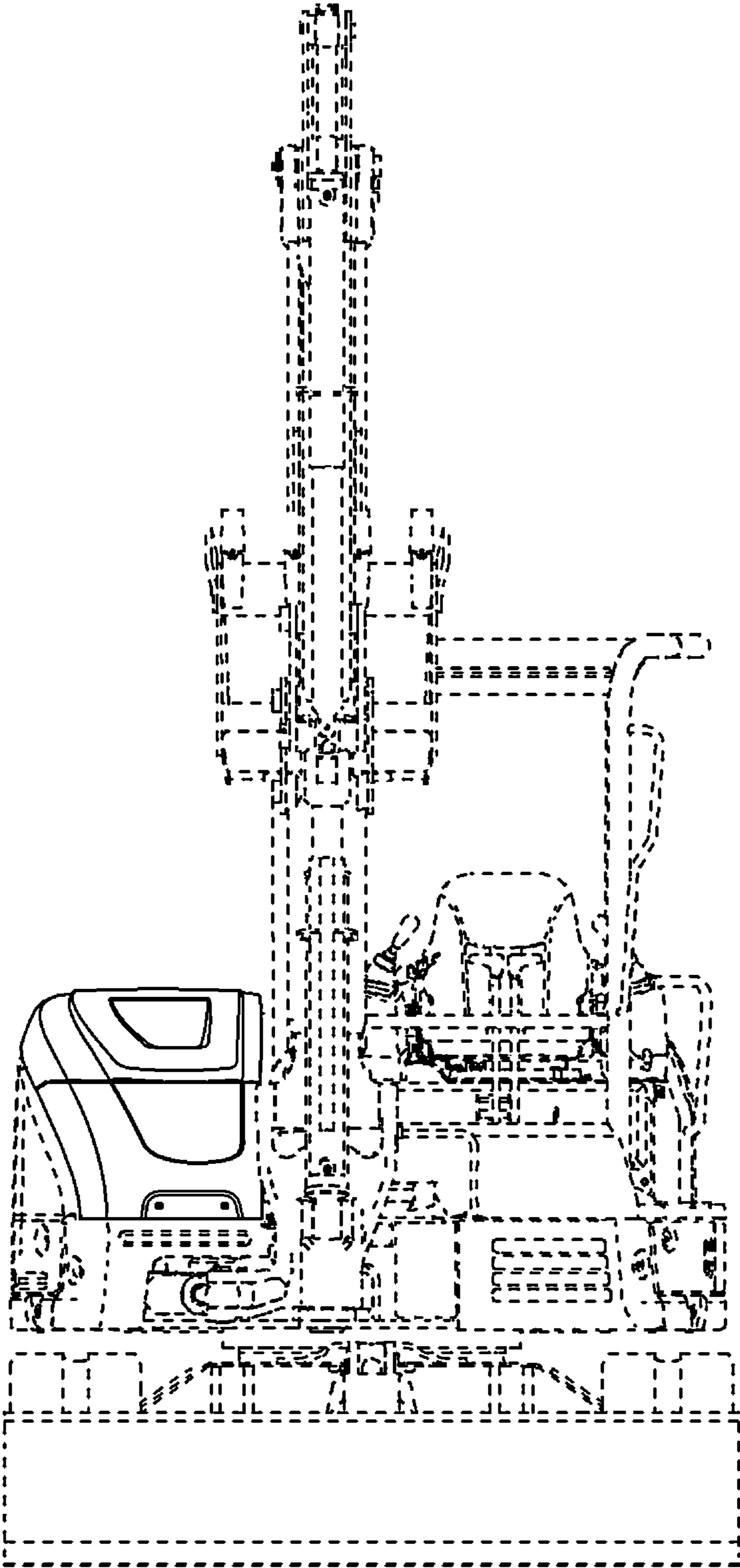


FIG. 4

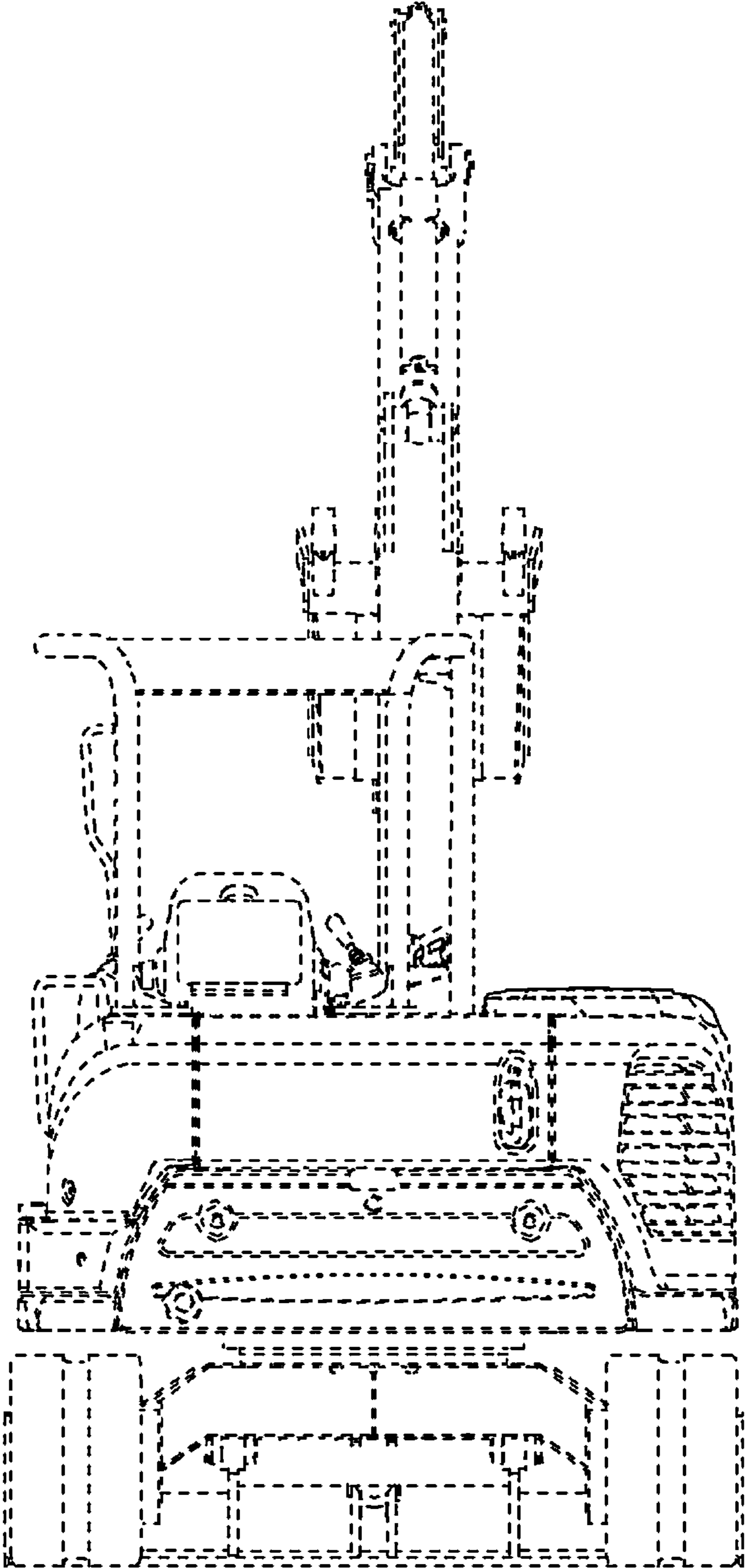


FIG. 5

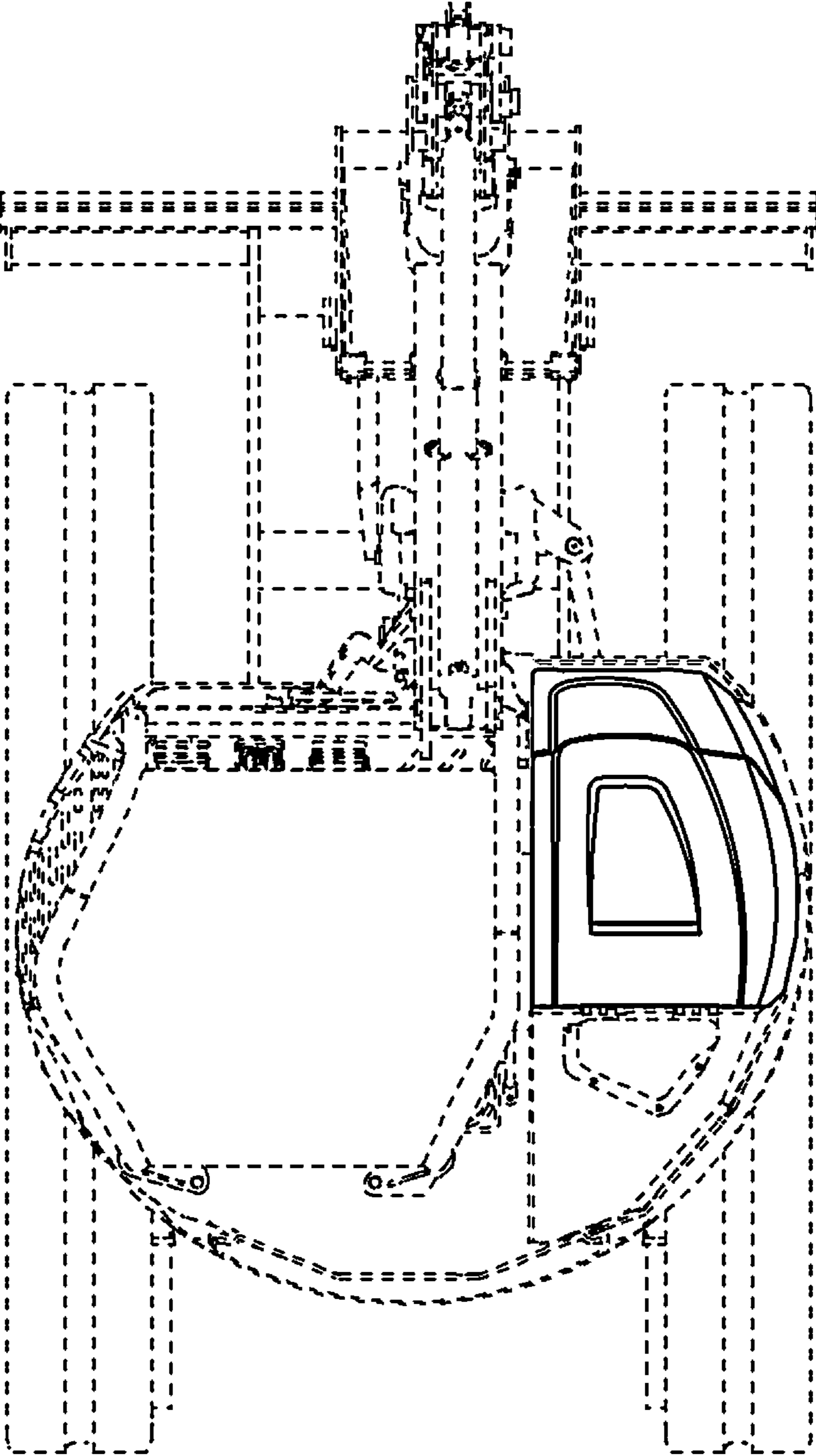


FIG. 6

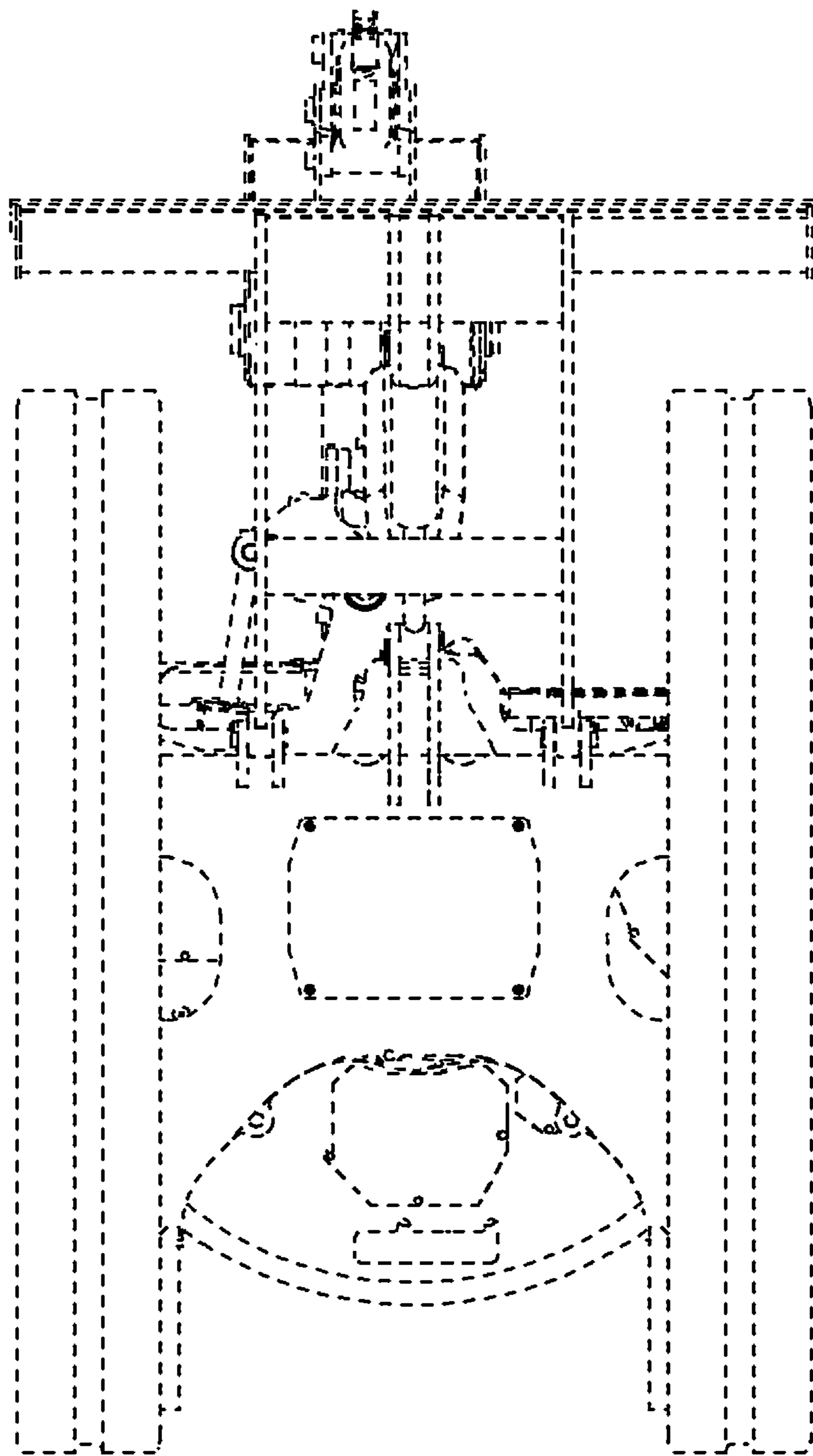


FIG. 7

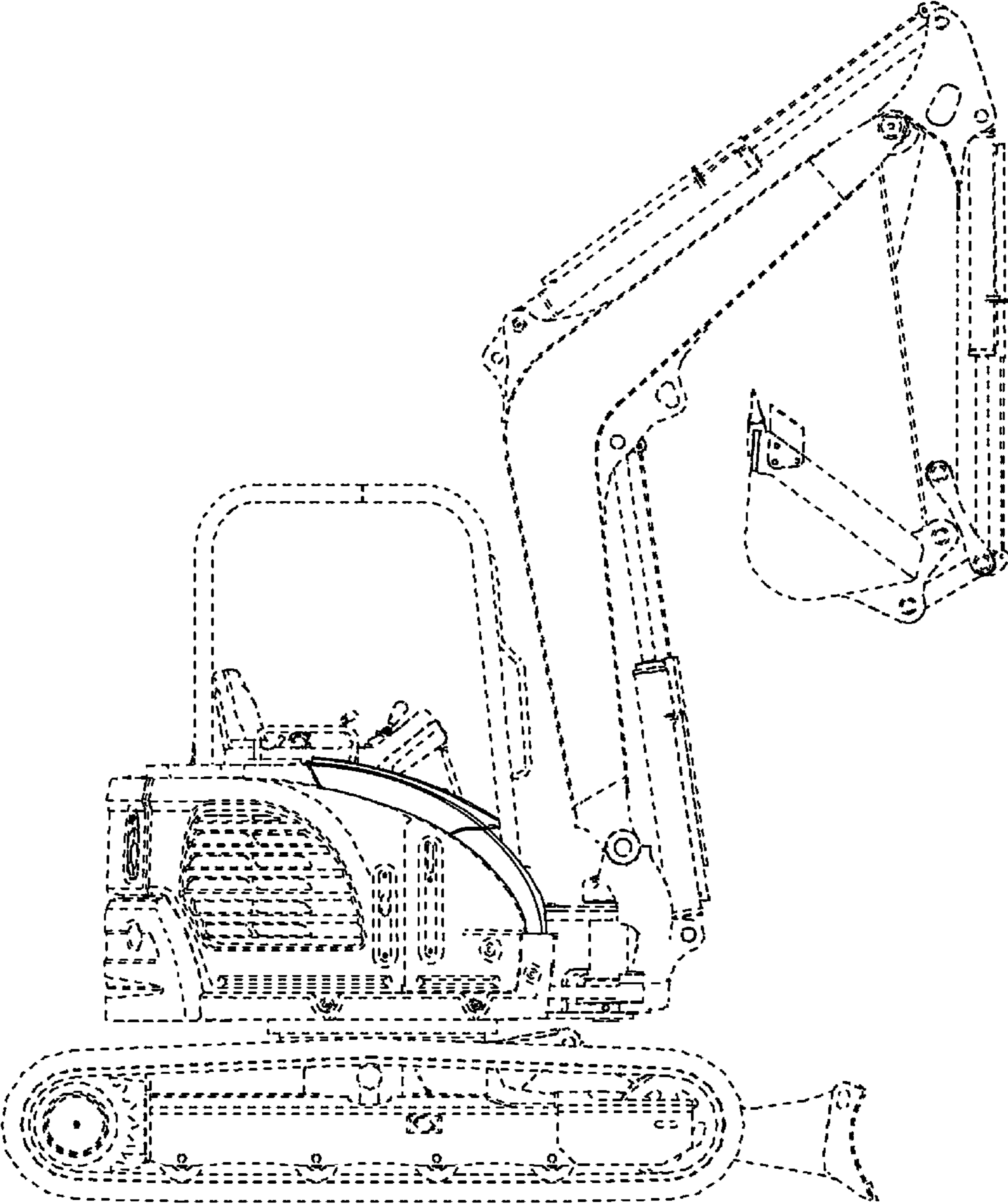


FIG. 8

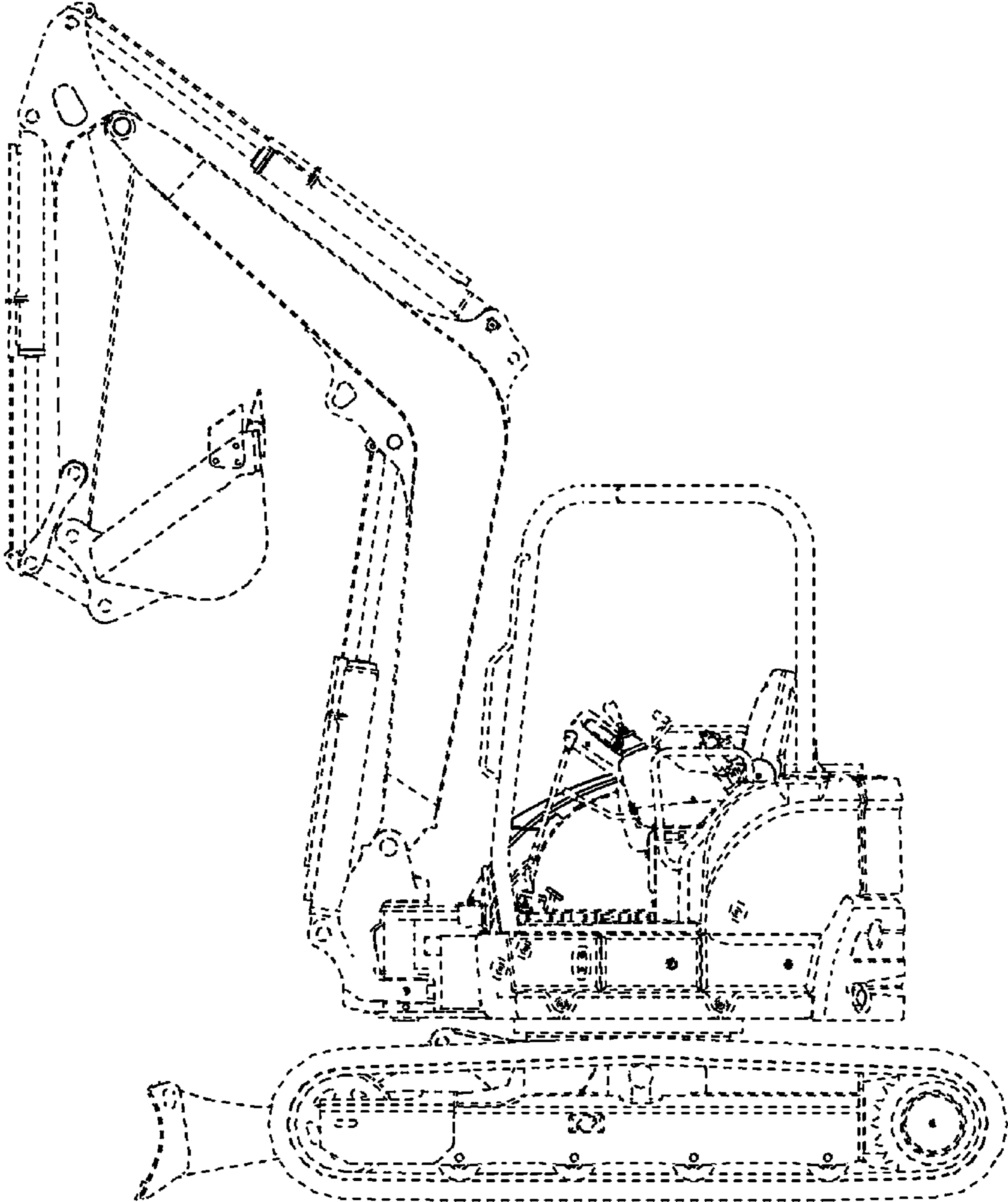


FIG. 9

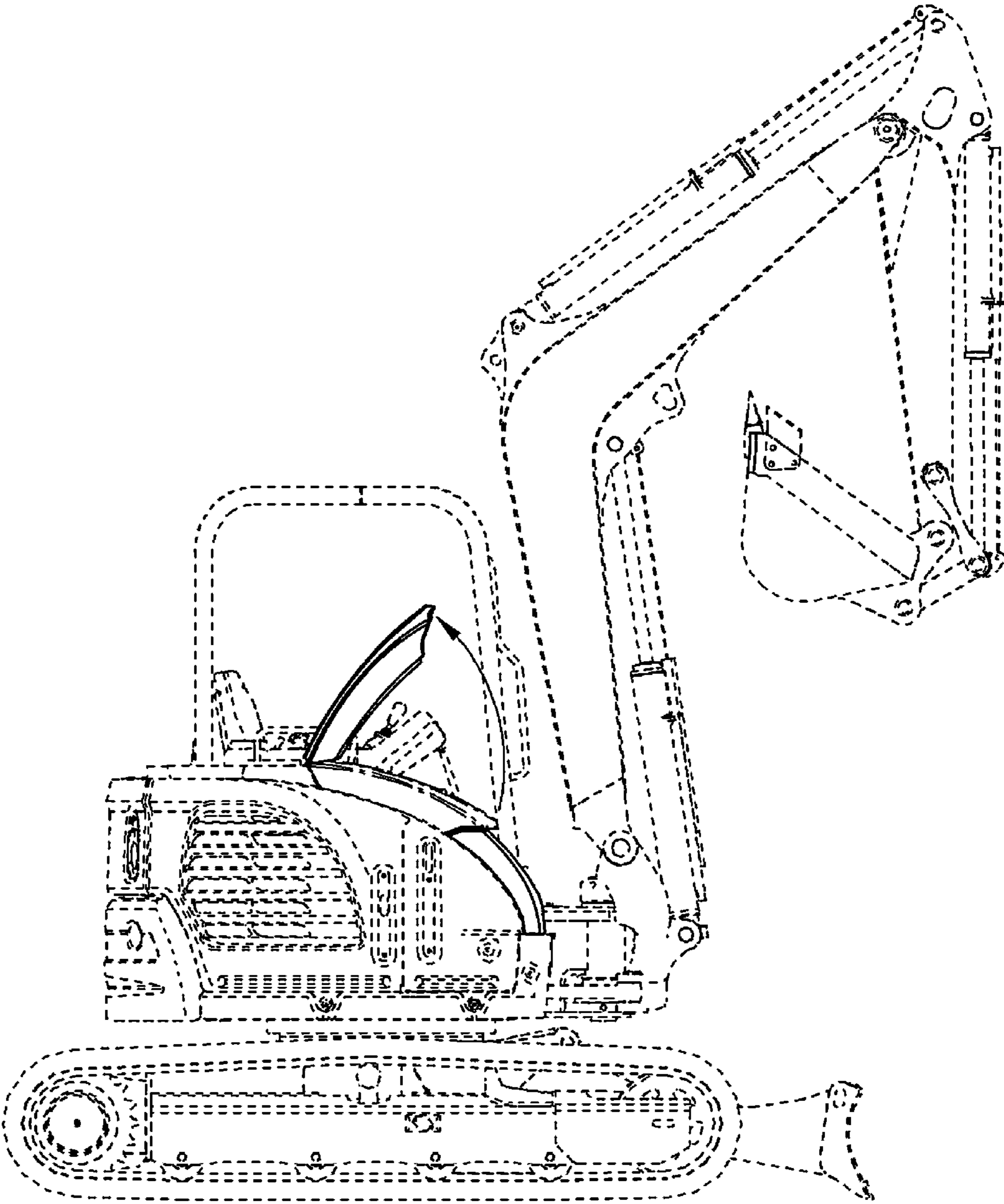


FIG. 10

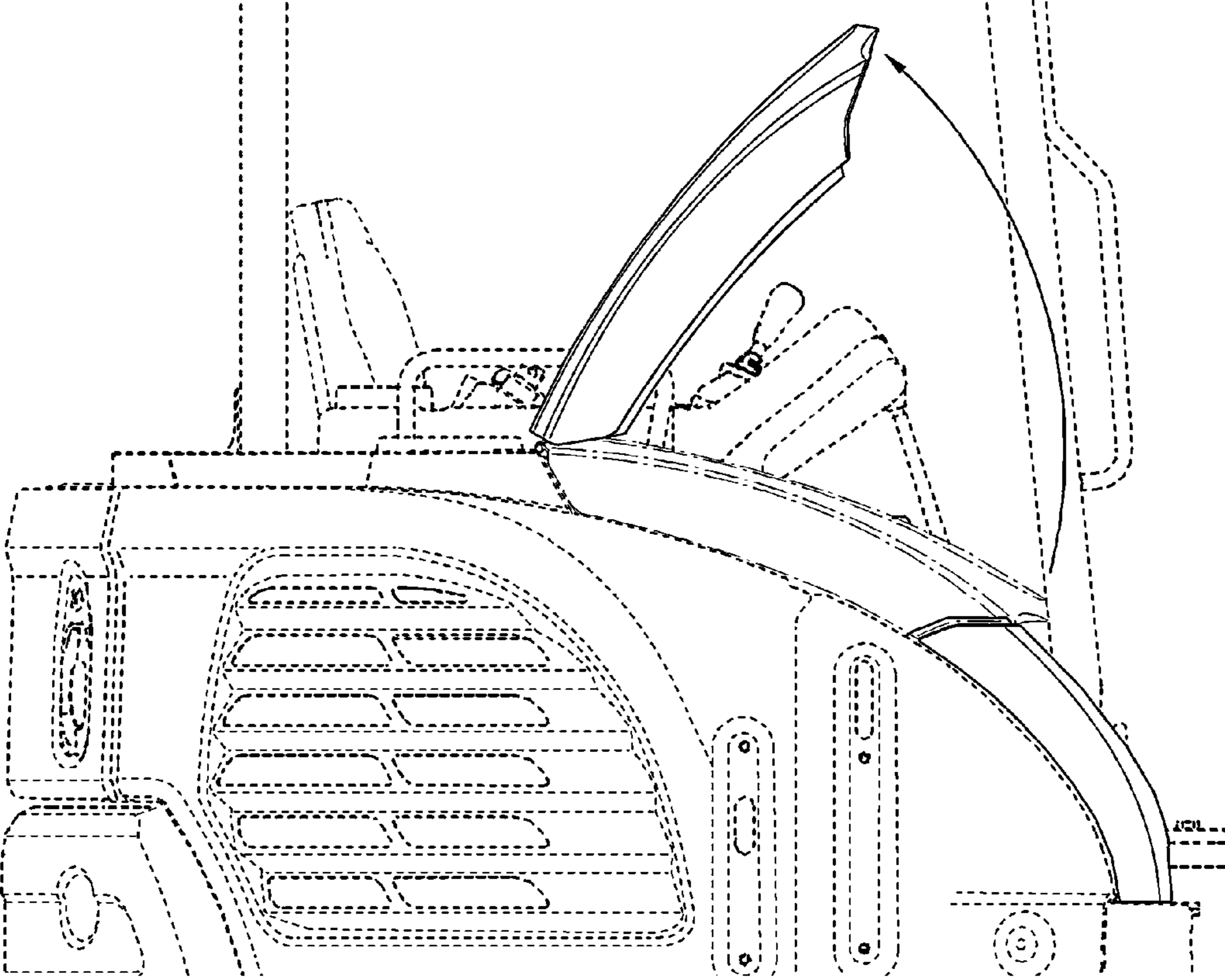


FIG. 11