



US00D717344S

(12) **United States Design Patent**  
**Ohser et al.**

(10) **Patent No.:** **US D717,344 S**

(45) **Date of Patent:** **\*\* Nov. 11, 2014**

(54) **COMPRESSOR**

OTHER PUBLICATIONS

(71) Applicants: **Klaus Ohser**, Wiedemar OT Kyhna (DE); **Bertram Wipper**, Leipzig (DE)

U.S. Appl. No. 29/434,711, filed Oct. 16, 2012, Hermann.  
U.S. Appl. No. 29/455,498, filed May 21, 2013, Ohser et al.  
U.S. Appl. No. 29/446,895, filed Feb. 28, 2013, Kienzle et al.

(72) Inventors: **Klaus Ohser**, Wiedemar OT Kyhna (DE); **Bertram Wipper**, Leipzig (DE)

\* cited by examiner

(73) Assignee: **Bitzer Kuehlmaschinenbau GmbH**, Sindelfingen (DE)

*Primary Examiner* — Ralf Seifert

(74) *Attorney, Agent, or Firm* — Reinhart Boerner Van Deuren P.C.

(\*\*) Term: **14 Years**

(21) Appl. No.: **29/458,423**

(57) **CLAIM**

We claim the ornamental design for a compressor, as shown and described.

(22) Filed: **Jun. 19, 2013**

(30) **Foreign Application Priority Data**

Dec. 20, 2012 (EM) ..... 002156752

**DESCRIPTION**

(51) **LOC (10) Cl.** ..... **11-01**

(52) **U.S. Cl.**  
USPC ..... **D15/9**

(58) **Field of Classification Search**  
USPC ..... D15/7-9; D23/231, 232; 417/410.1, 417/359, 415-416, 234, 321, 265, 405  
See application file for complete search history.

The design application contains at least one drawing executed in color. Copies of this design application publication with color drawings will be provided by the Office upon request and payment of the necessary fee.

FIG. 1 is a front and left hand side perspective view of a compressor showing our new design;

FIG. 2 is a left side view thereof;

FIG. 3 is a right side view thereof;

FIG. 4 is a rear view thereof;

FIG. 5 is a front view thereof;

FIG. 6 is a top view thereof;

FIG. 7 is a bottom view thereof.

FIG. 8 is a front and left hand side perspective view of a compressor showing a second embodiment of our new design:

FIG. 9 is a left side view of FIG. 8;

FIG. 10 is a right side view FIG. 8;

FIG. 11 is a rear view FIG. 8;

FIG. 12 is a front view FIG. 8;

FIG. 13 is a top view FIG. 8; and,

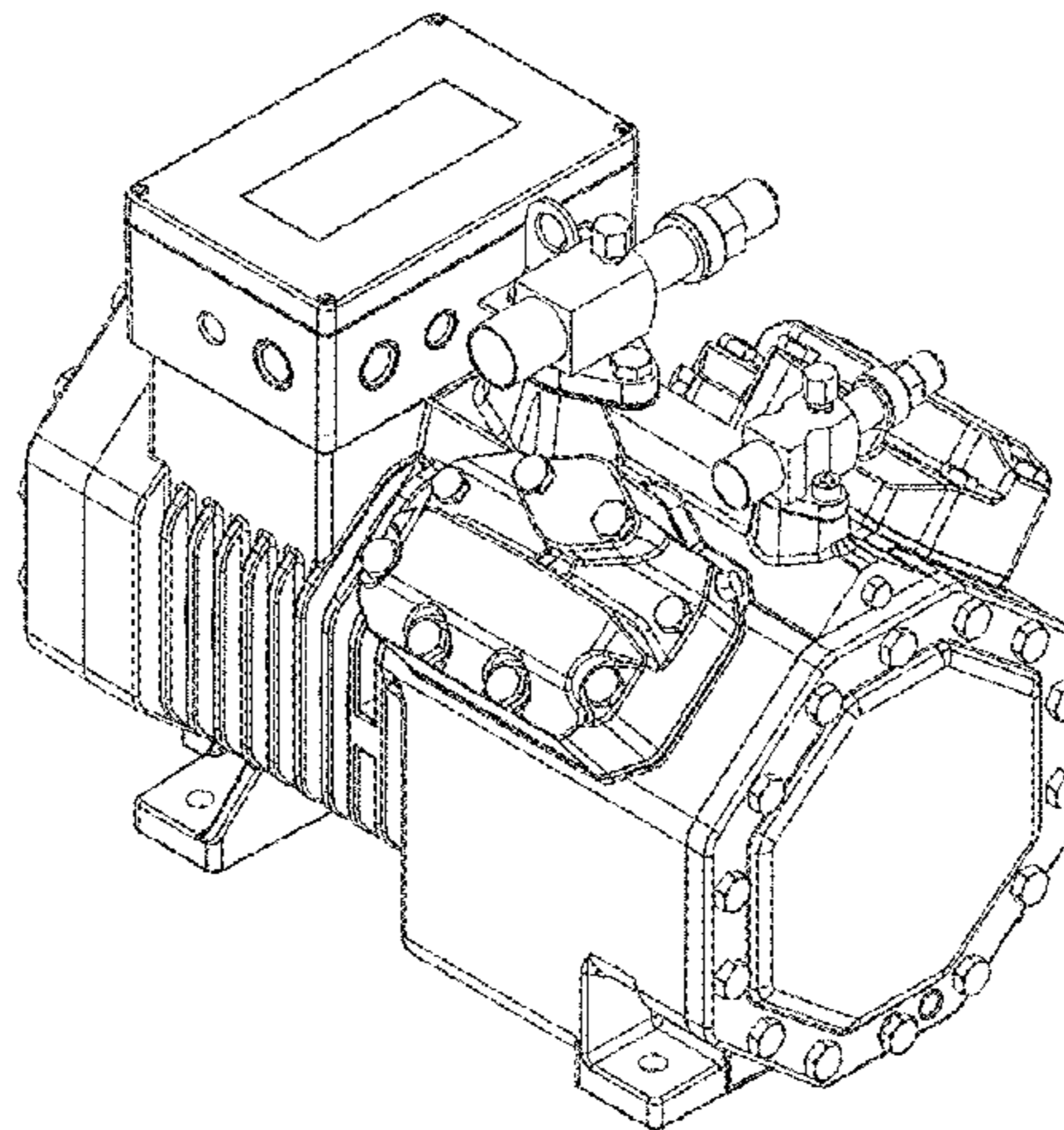
FIG. 14 is a bottom view FIG. 8.

(56) **References Cited**

U.S. PATENT DOCUMENTS

D394,068 S *	5/1998	Pollrich et al.	.....	D15/9
D466,522 S *	12/2002	Huang	.....	D15/7
D467,254 S *	12/2002	Ullrich	.....	D15/9
D479,246 S *	9/2003	Leu	.....	D15/7
D479,247 S *	9/2003	Ullrich	.....	D15/9
D512,442 S *	12/2005	Moser, III	.....	D15/9
D518,068 S *	3/2006	Rodopoulos	.....	D15/7
D531,194 S	10/2006	Hertenstein et al.		
D538,826 S	3/2007	Kienzle		
D558,232 S *	12/2007	Wang et al.	.....	D15/7
D595,748 S	7/2009	Kratschmer		
D613,635 S *	4/2010	Chu	.....	D15/9
D619,624 S *	7/2010	Iwagoshi et al.	.....	D15/7
D630,229 S *	1/2011	Dreifert	.....	D15/7
D684,197 S	6/2013	Kienzle et al.		

**1 Claim, 14 Drawing Sheets**  
**(7 of 14 Drawing Sheet(s) Filed in Color)**



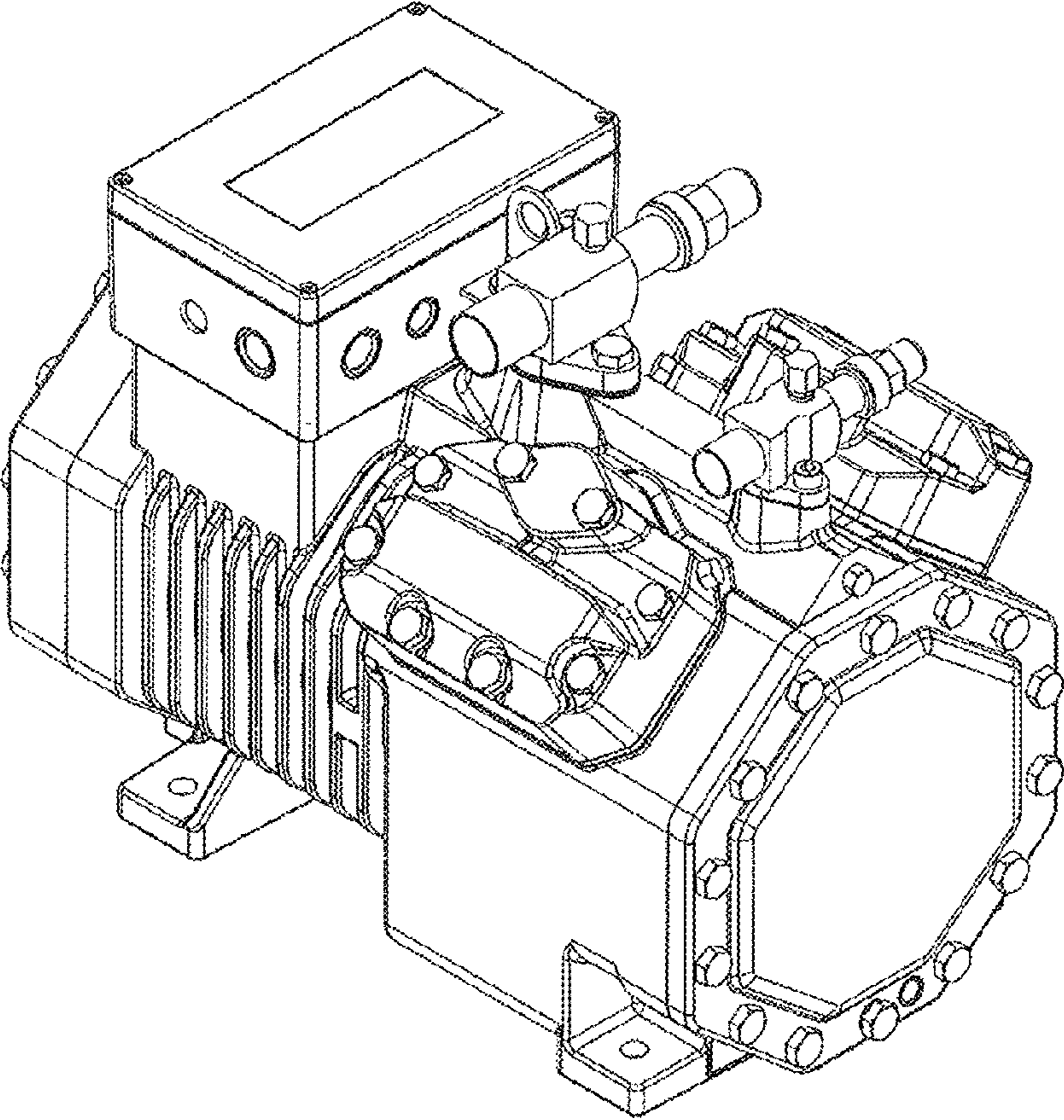


FIG. 1

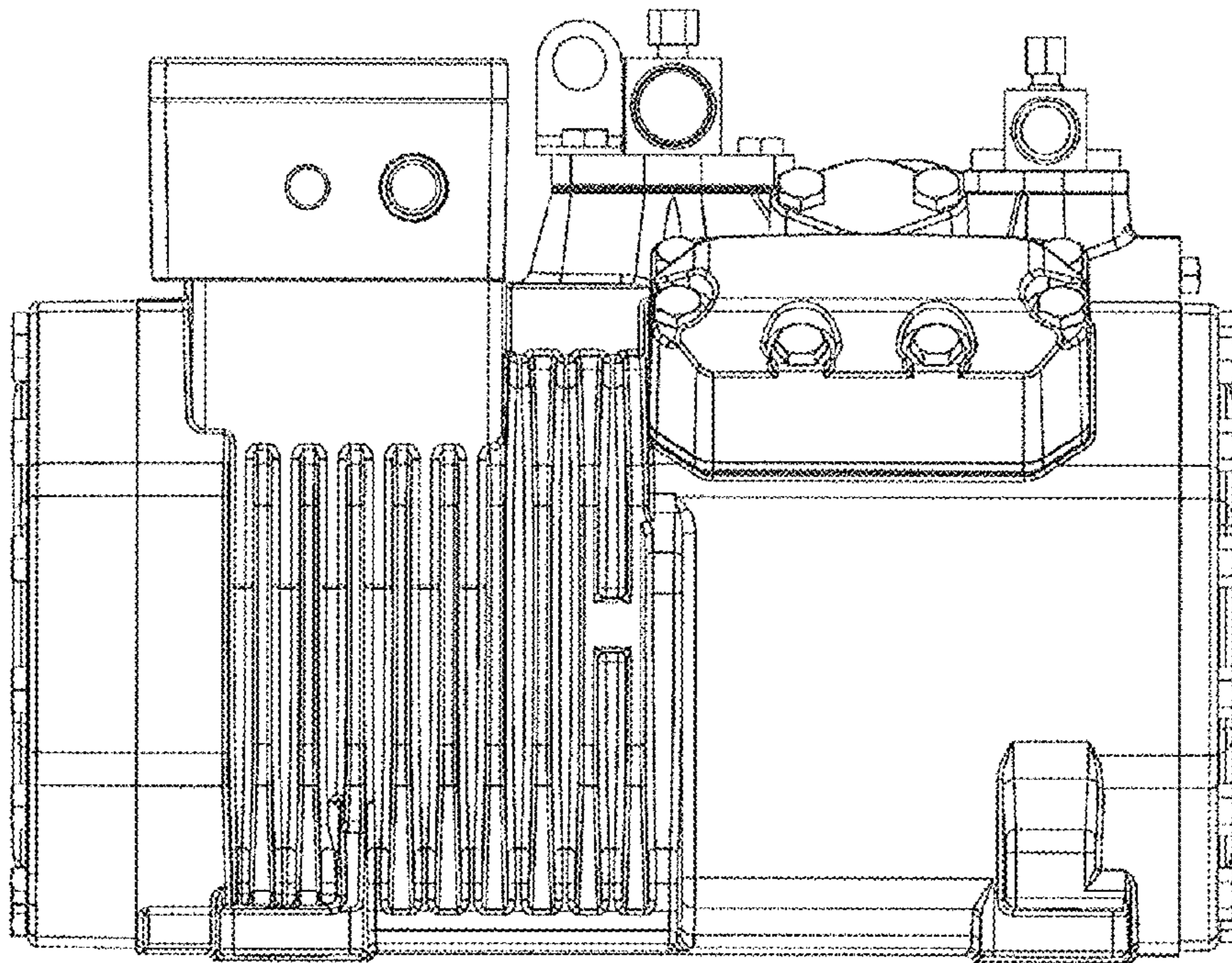


FIG. 2

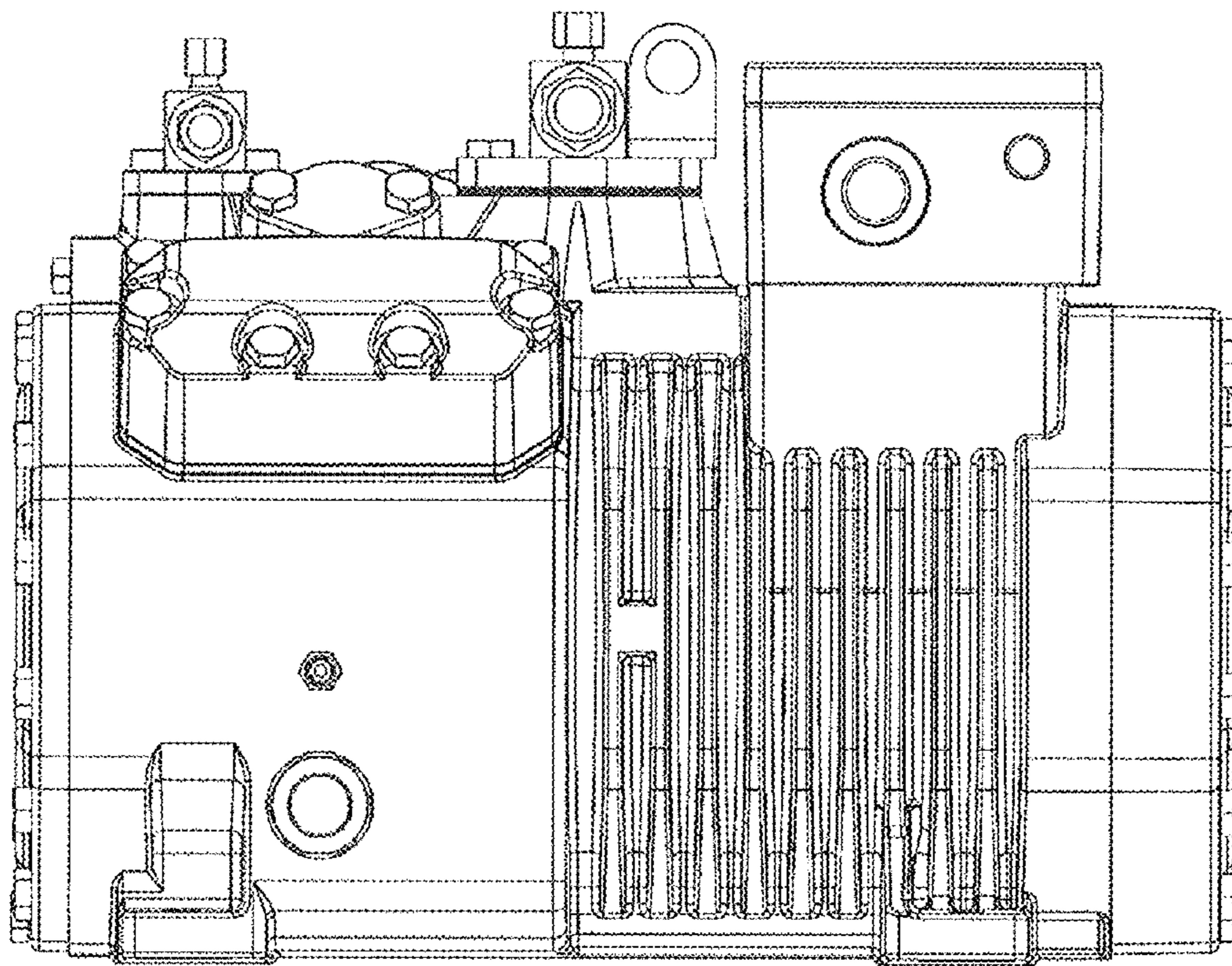


FIG. 3

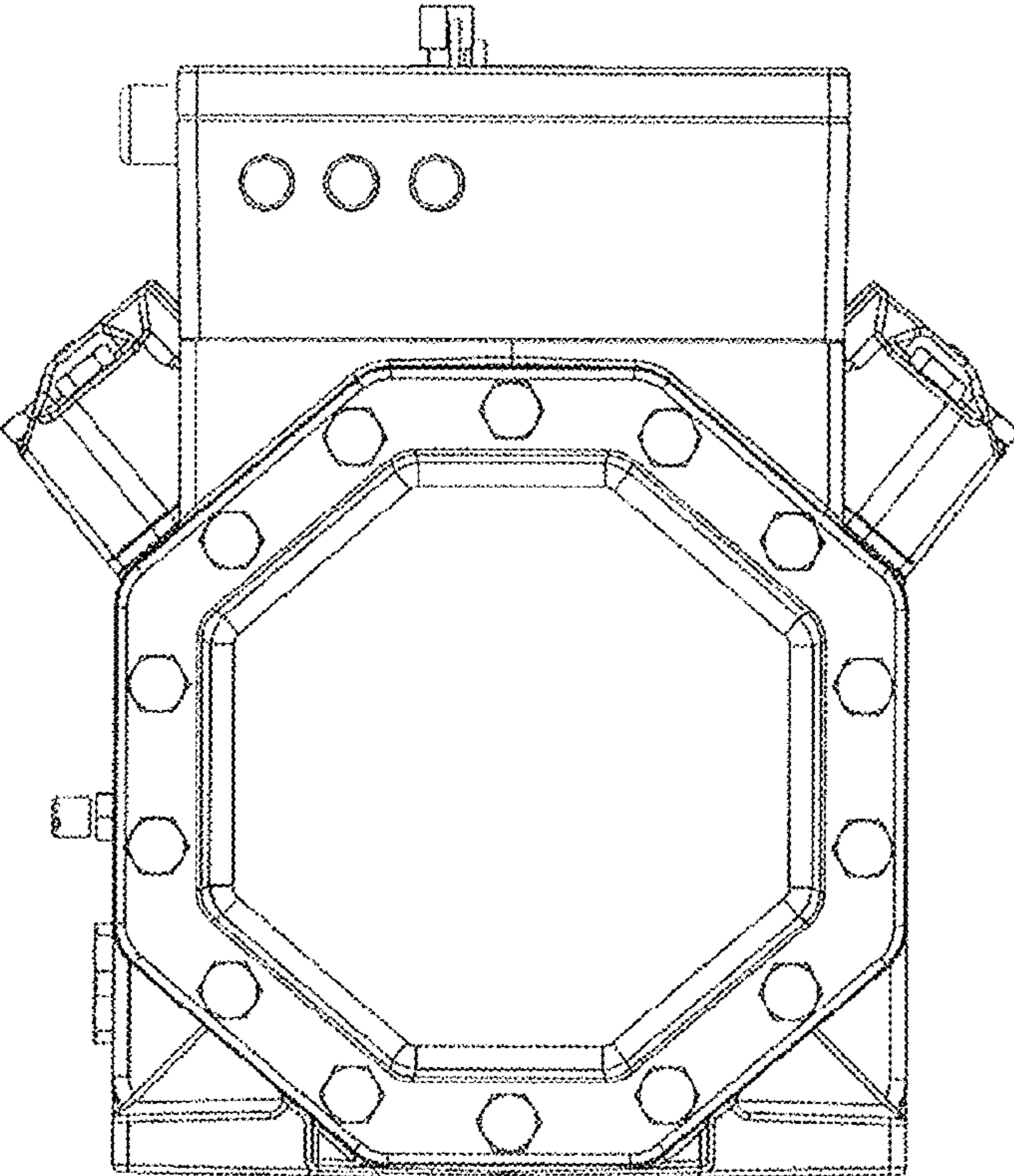


FIG. 4

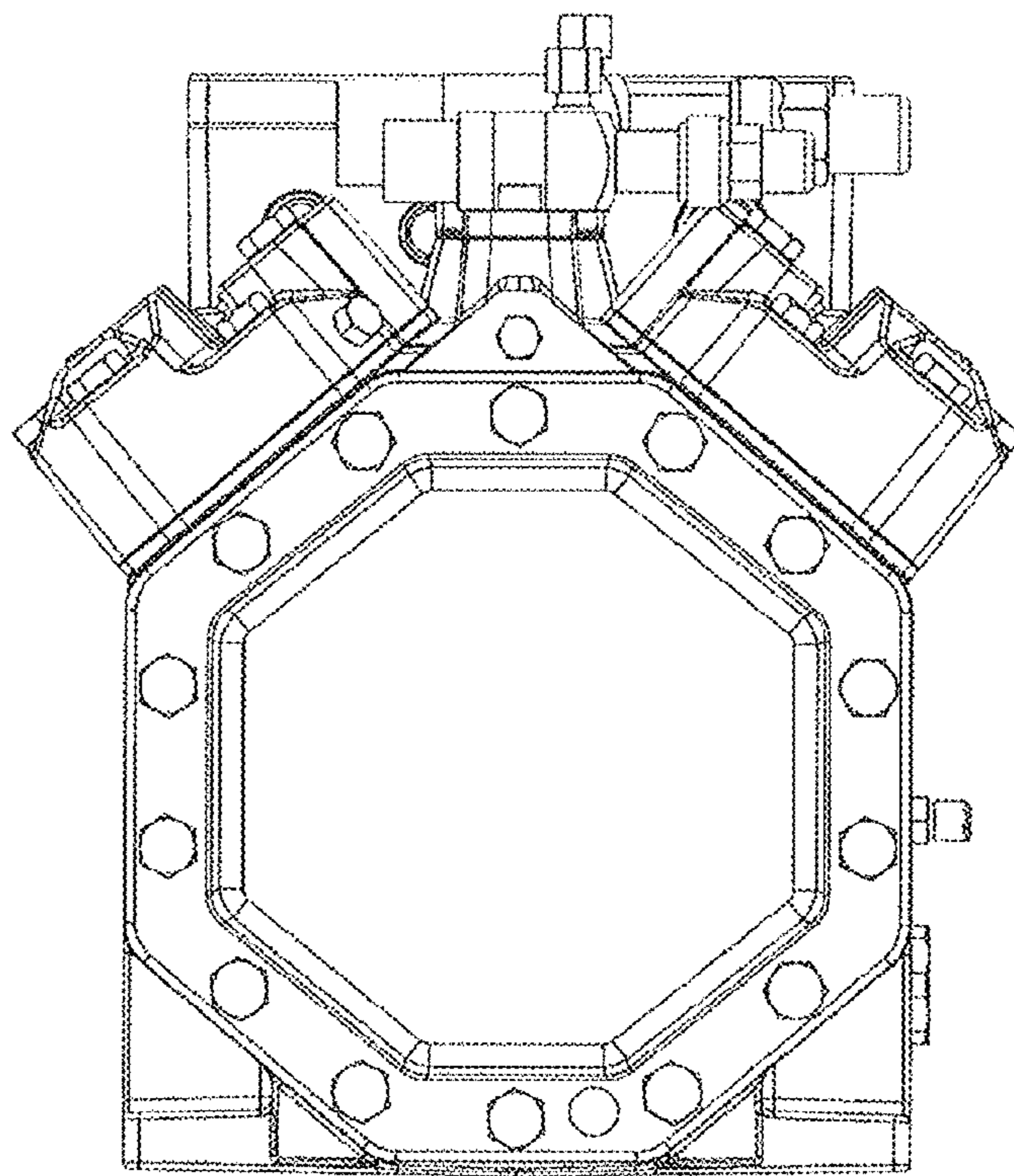


FIG. 5

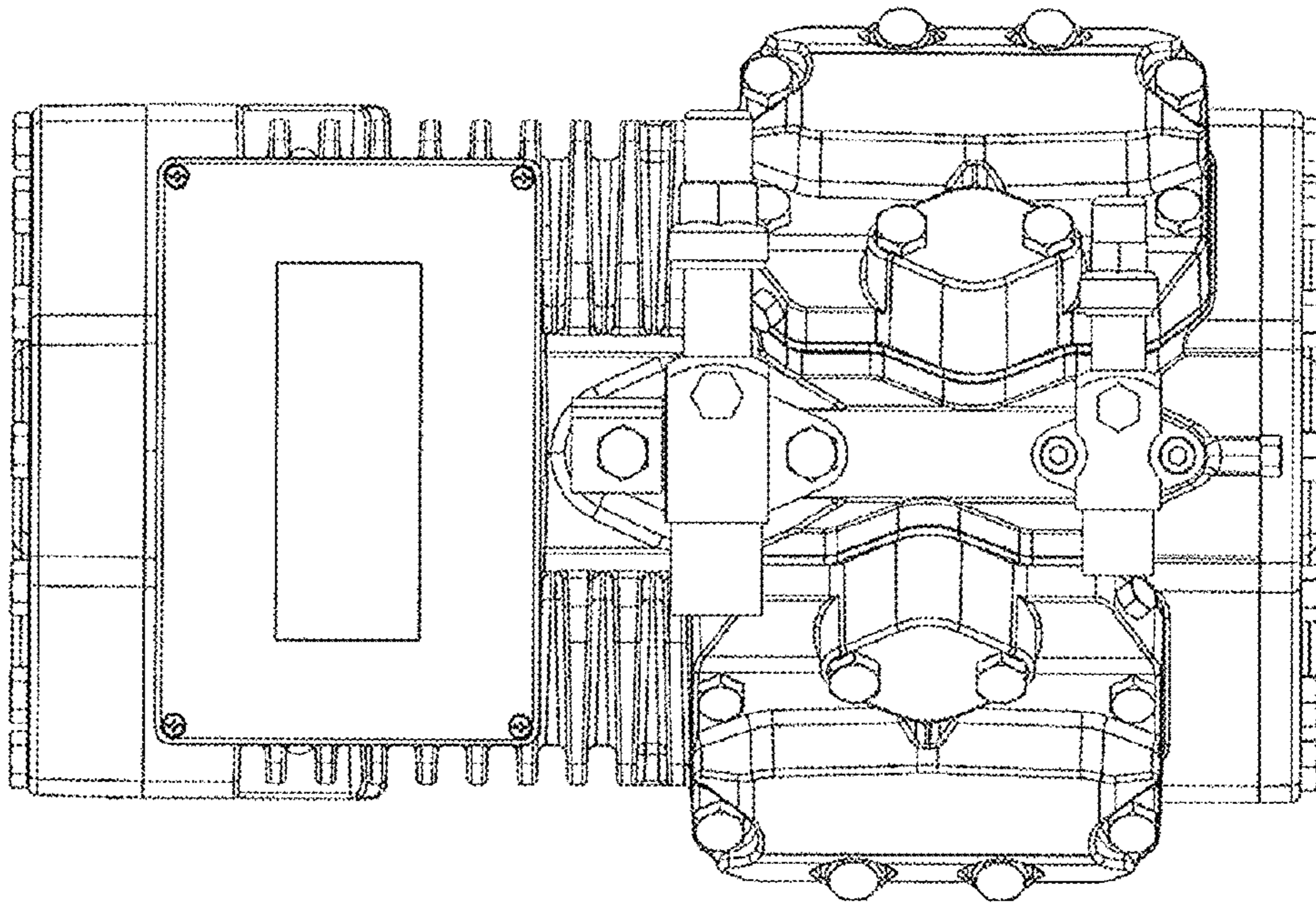


FIG. 6

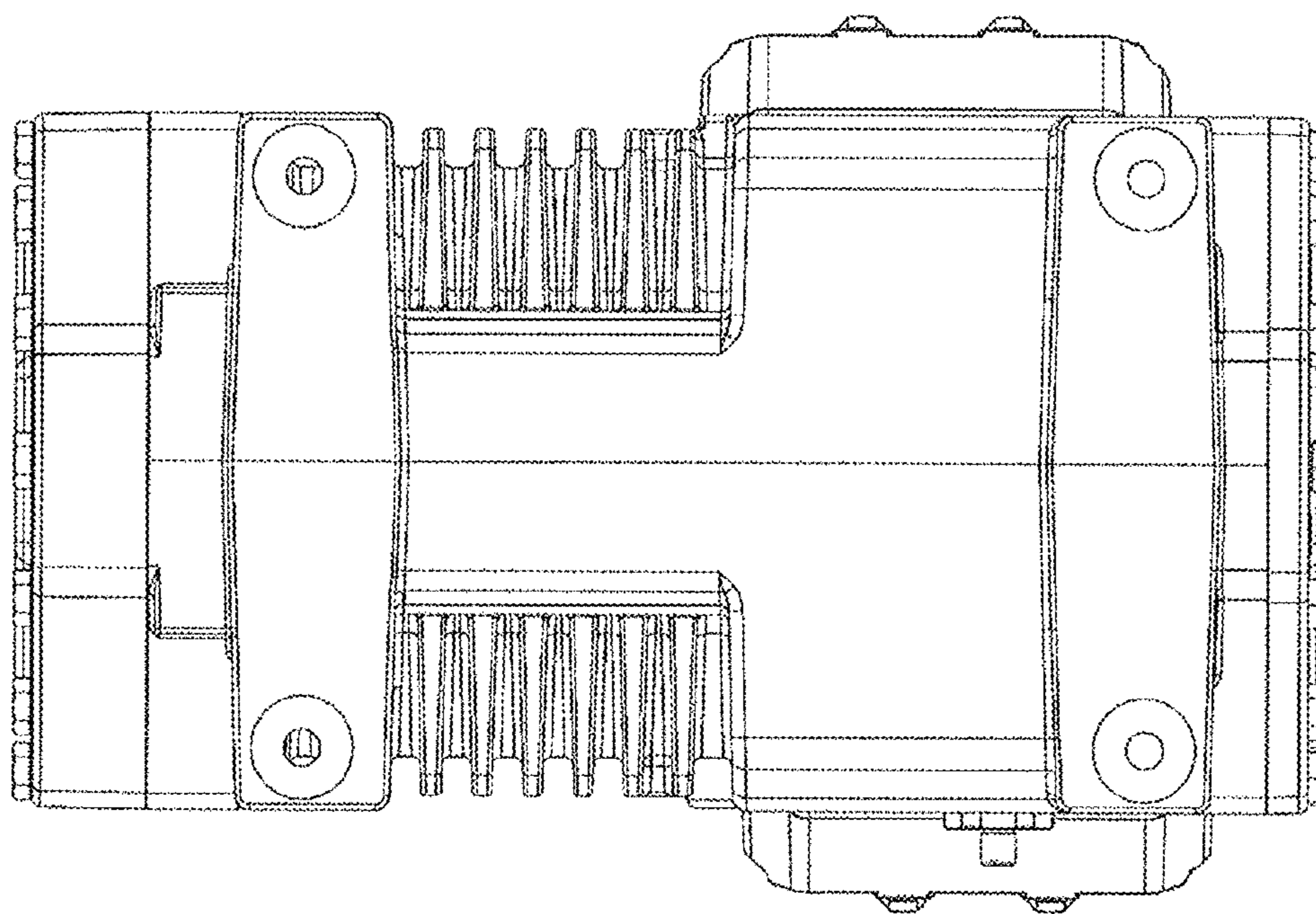


FIG. 7



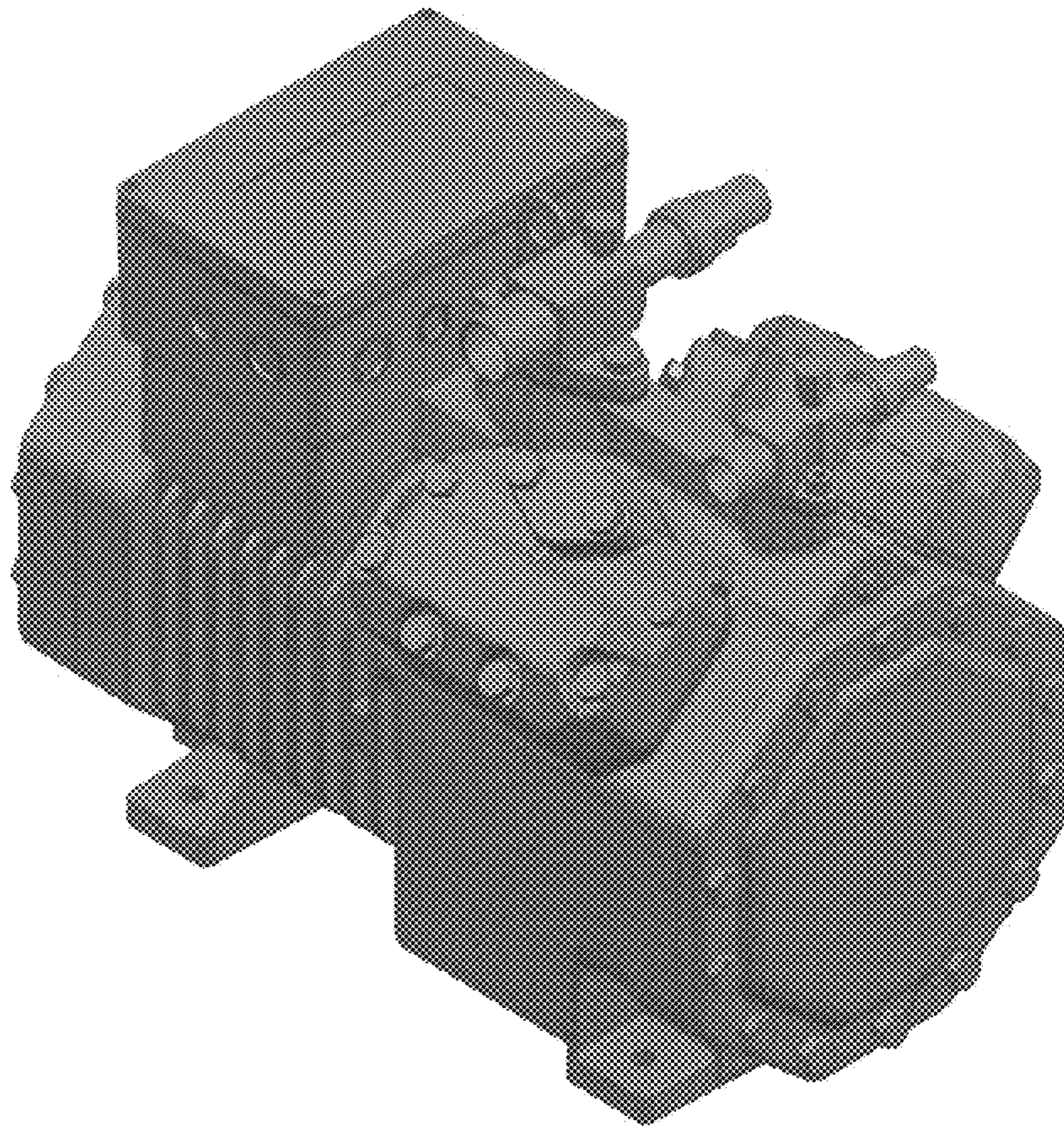


FIG. 8

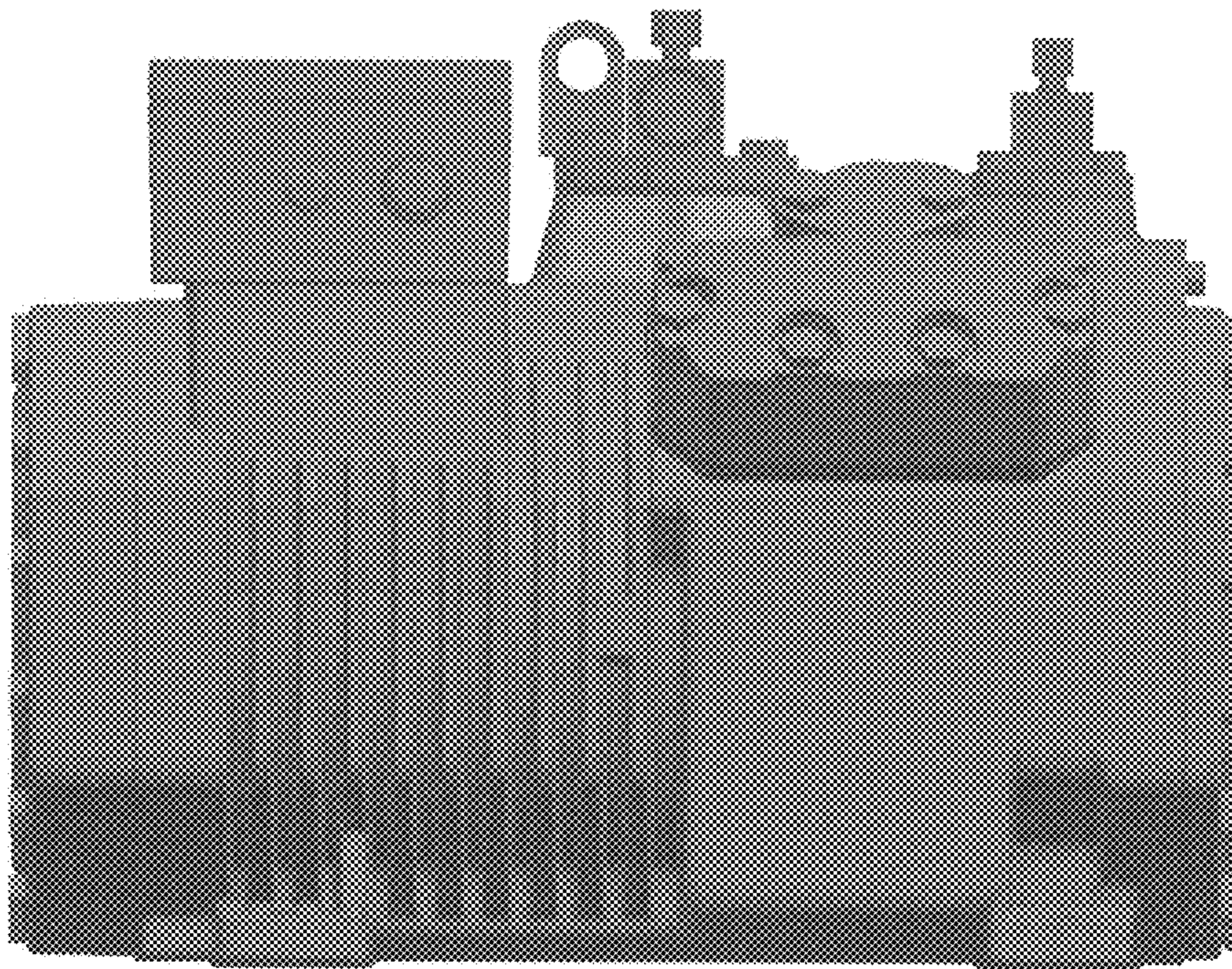


FIG. 9

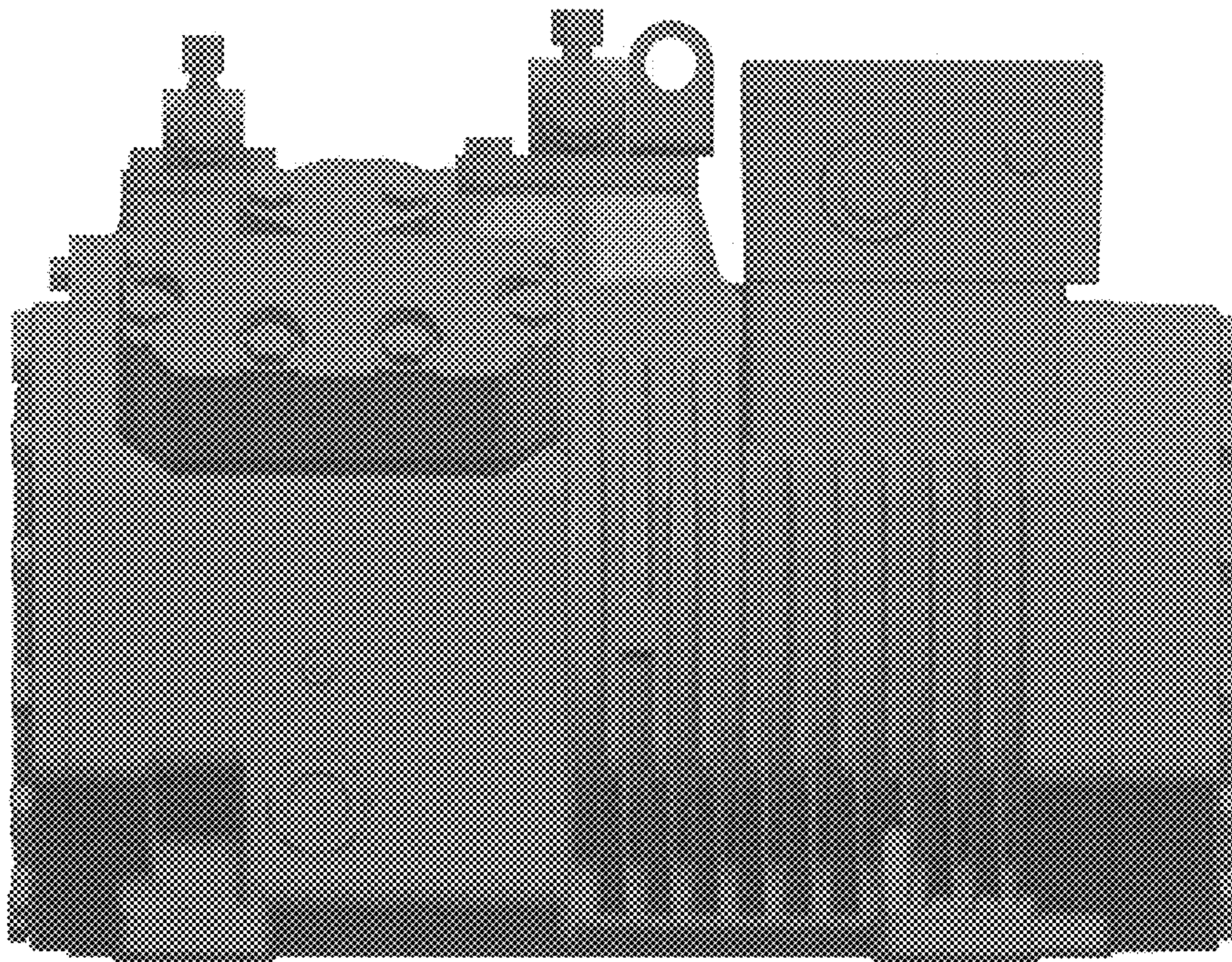


FIG. 10

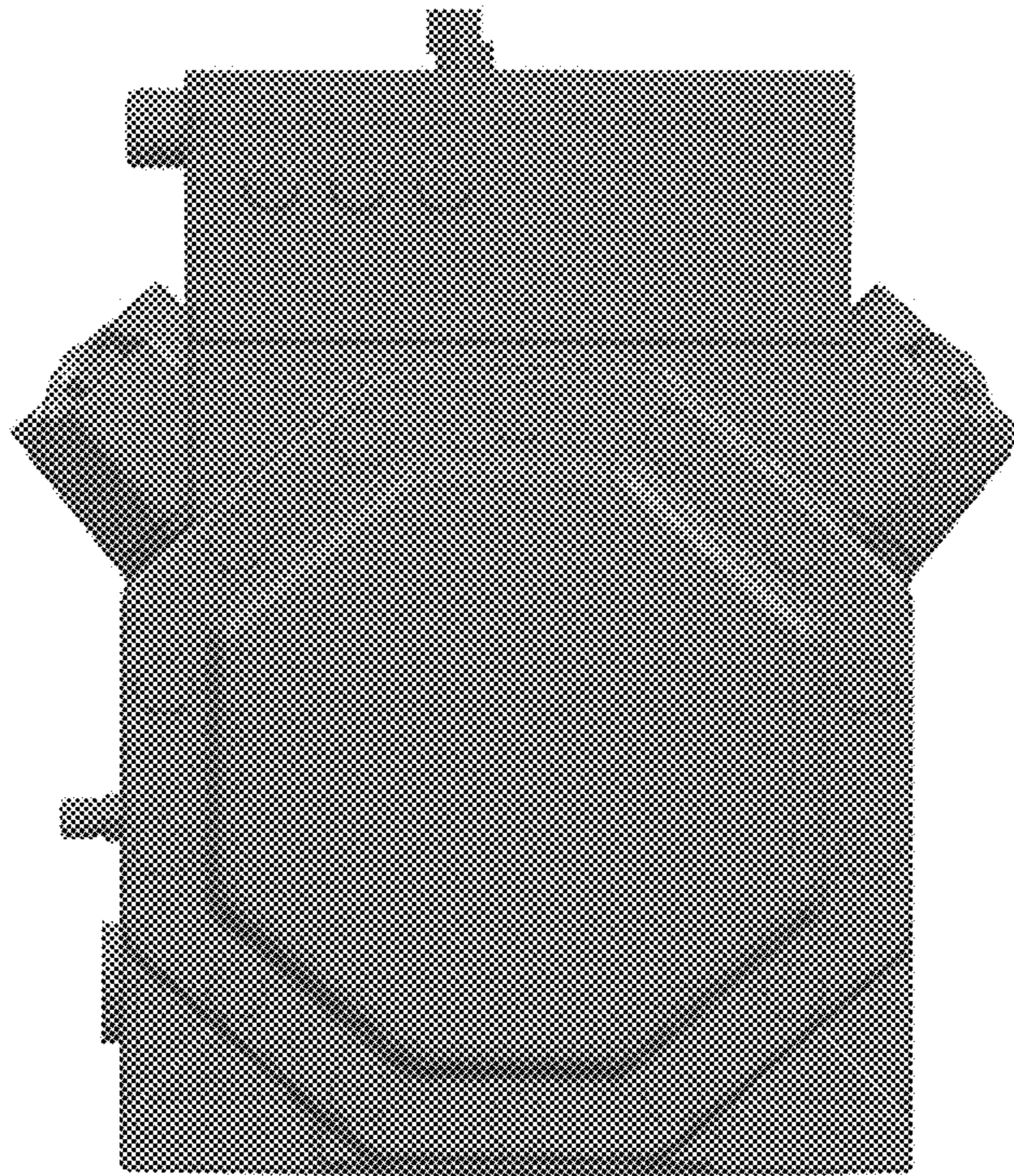


FIG. 11

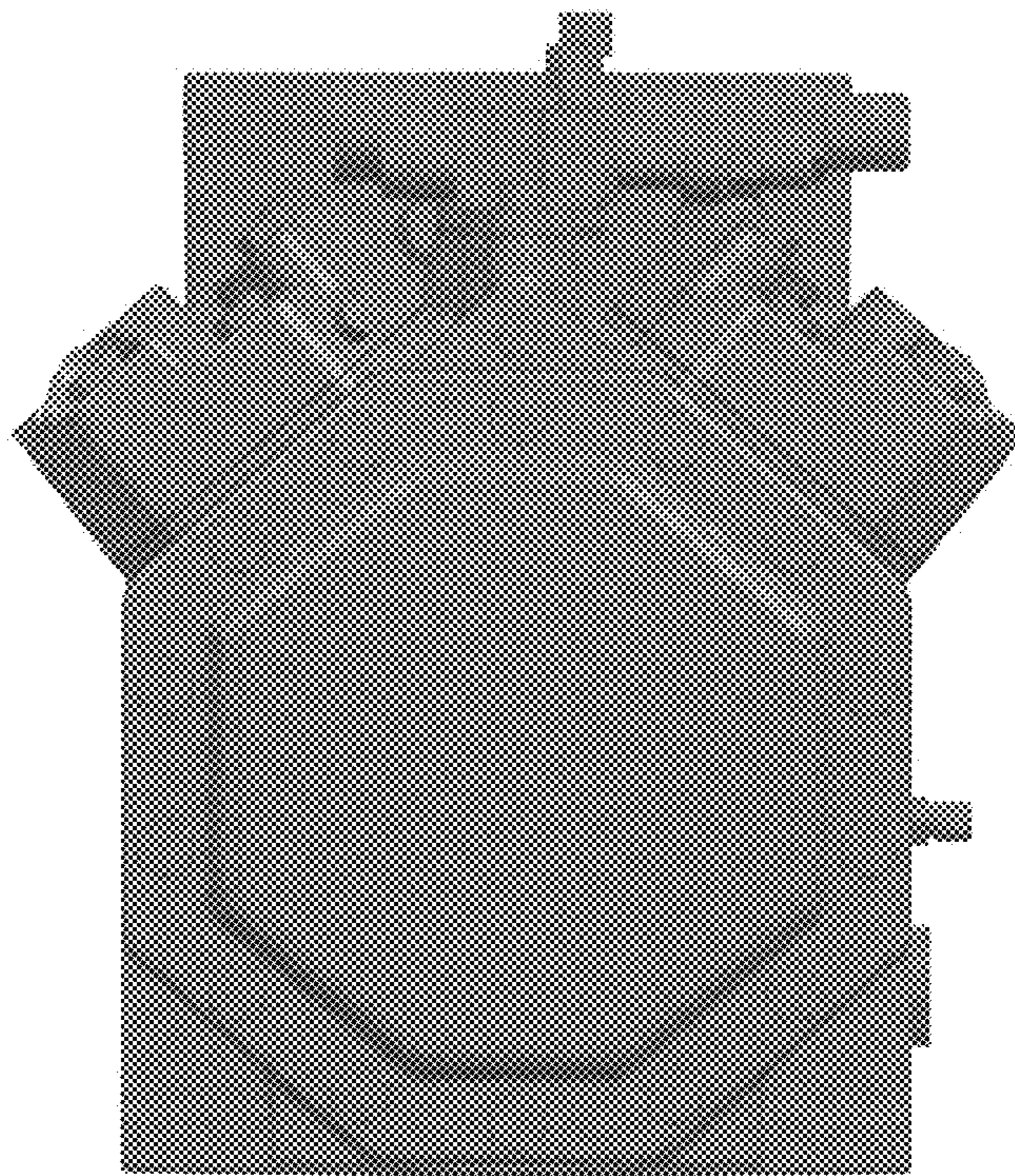


FIG. 12

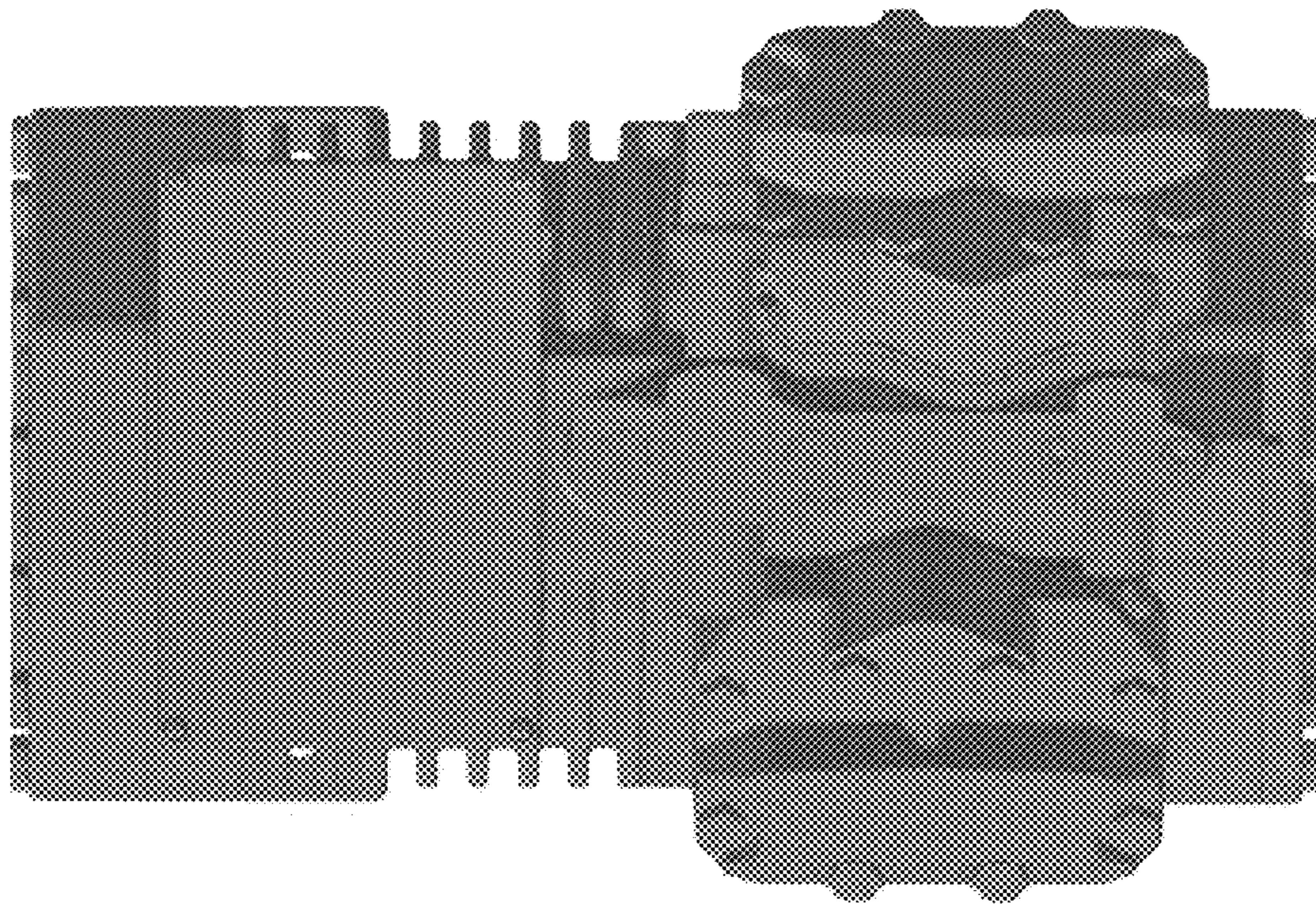


FIG. 13

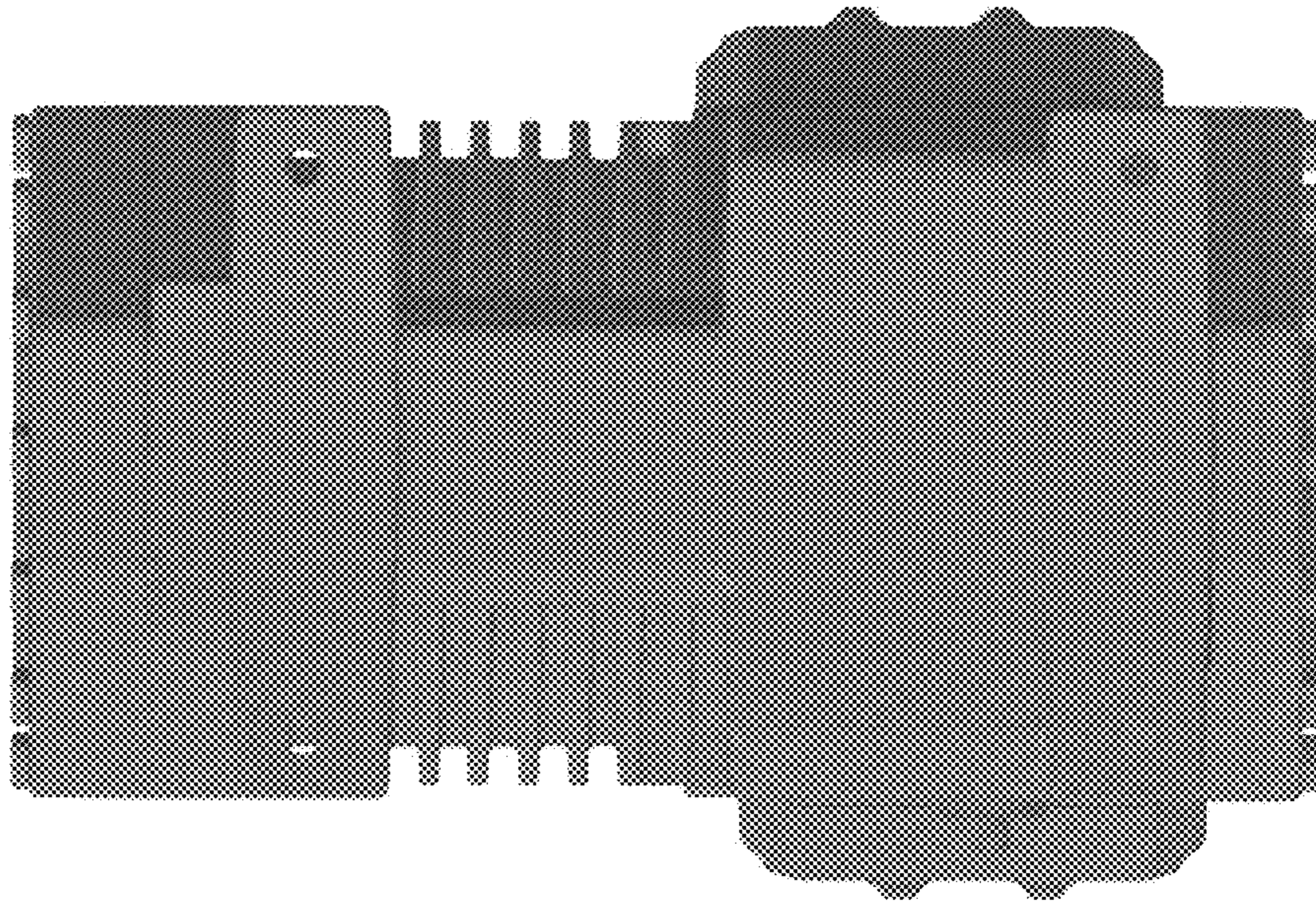


FIG. 14