



US00D717343S

(12) **United States Design Patent**
Chino et al.

(10) **Patent No.:** **US D717,343 S**
(45) **Date of Patent:** **** Nov. 11, 2014**

(54) **CATALYTIC CONVERTER**

(71) Applicants: **Hiroyuki Chino**, Oyama (JP); **Hidehiko Kobayashi**, Oyama (JP); **Tatsuya Watahiki**, Oyama (JP); **Kazuo Satou**, Oyama (JP); **Yoshio Yokozuka**, Sano (JP); **Tomonori Oda**, Tochigi-Ken (JP)

(72) Inventors: **Hiroyuki Chino**, Oyama (JP); **Hidehiko Kobayashi**, Oyama (JP); **Tatsuya Watahiki**, Oyama (JP); **Kazuo Satou**, Oyama (JP); **Yoshio Yokozuka**, Sano (JP); **Tomonori Oda**, Tochigi-Ken (JP)

(73) Assignee: **Komatsu Ltd.**, Tokyo (JP)

(**) Term: **14 Years**

(21) Appl. No.: **29/466,879**

(22) Filed: **Sep. 12, 2013**

(30) **Foreign Application Priority Data**

Jun. 18, 2013 (JP) 2013-013692

(51) **LOC (10) Cl.** **15-01**

(52) **U.S. Cl.**
USPC **D15/5**

(58) **Field of Classification Search**
USPC D15/1-5; 422/179, 177, 211, 213;
136/253; 60/302, 299, 229; D12/400,
D12/194

See application file for complete search history.

(56) **References Cited**

U.S. PATENT DOCUMENTS

2009/0000282 A1* 1/2009 Gruber 60/299
2013/0098007 A1* 4/2013 Waggoner et al. 60/299

* cited by examiner

Primary Examiner — T. Chase Nelson

Assistant Examiner — Ania Aman

(74) *Attorney, Agent, or Firm* — Patterson Thuent Pedersen, P.A.

(57) **CLAIM**

We claim the ornamental design for a catalytic converter, as shown and described.

DESCRIPTION

FIG. 1 is a front perspective view of a catalytic converter showing our new design;

FIG. 2 is a rear perspective view thereof;

FIG. 3 is a front view thereof;

FIG. 4 is a rear view thereof;

FIG. 5 is a top plan view thereof;

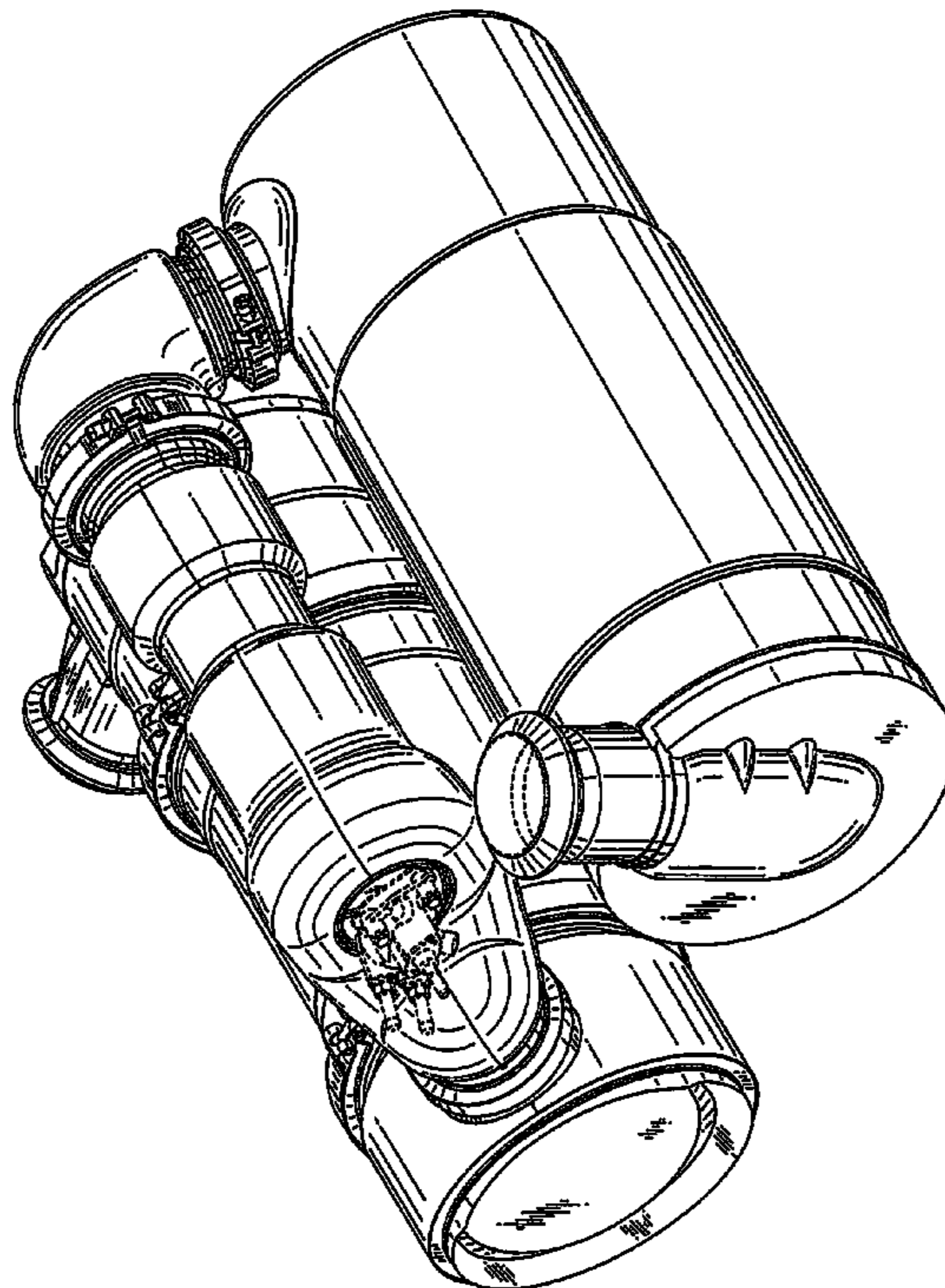
FIG. 6 is a bottom plan view thereof;

FIG. 7 is a right side view thereof; and,

FIG. 8 is a left side view thereof.

The features shown in broken lines in the drawing depict environmental subject matter only and form no part of the claimed design.

1 Claim, 8 Drawing Sheets



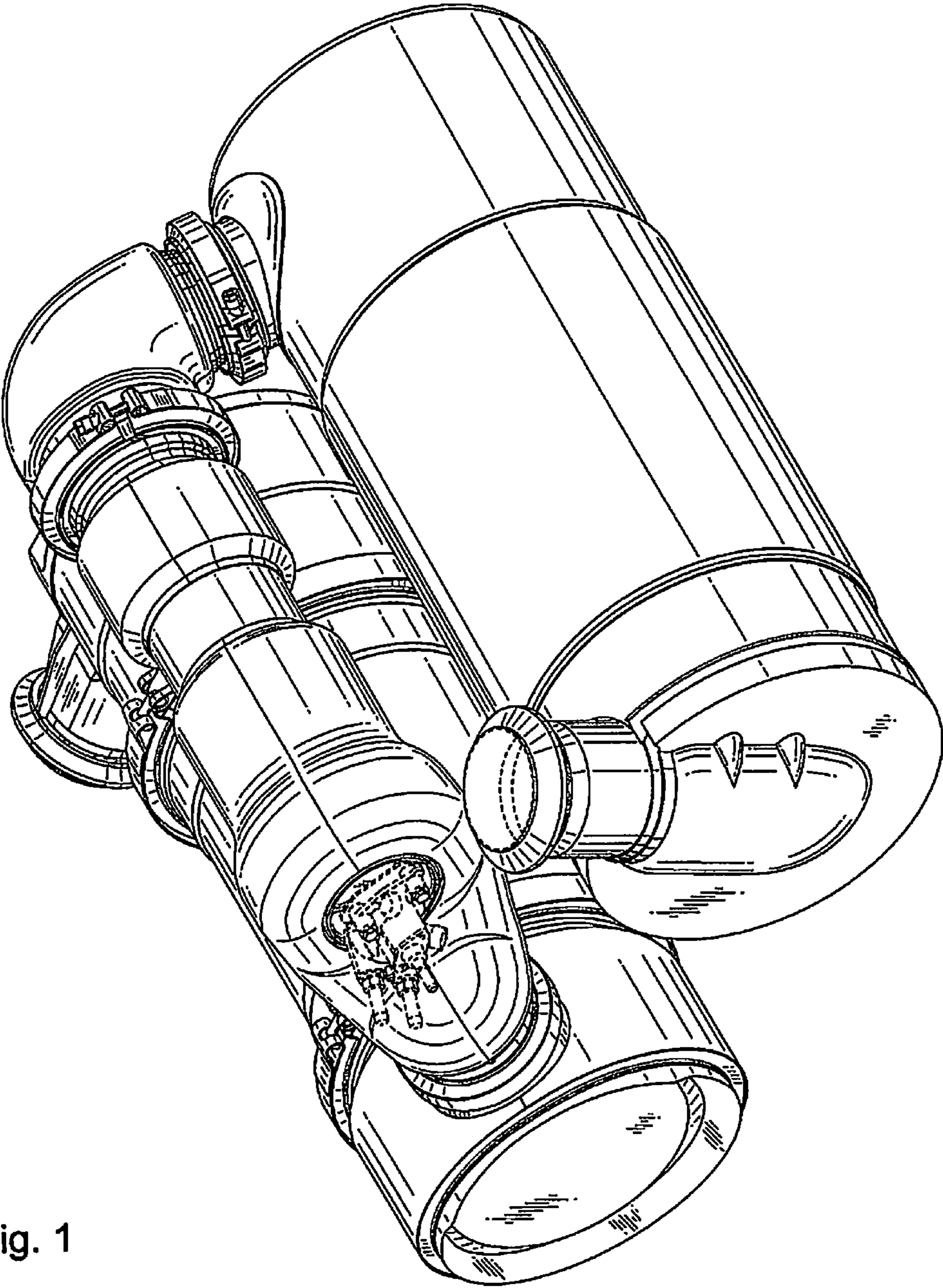


Fig. 1

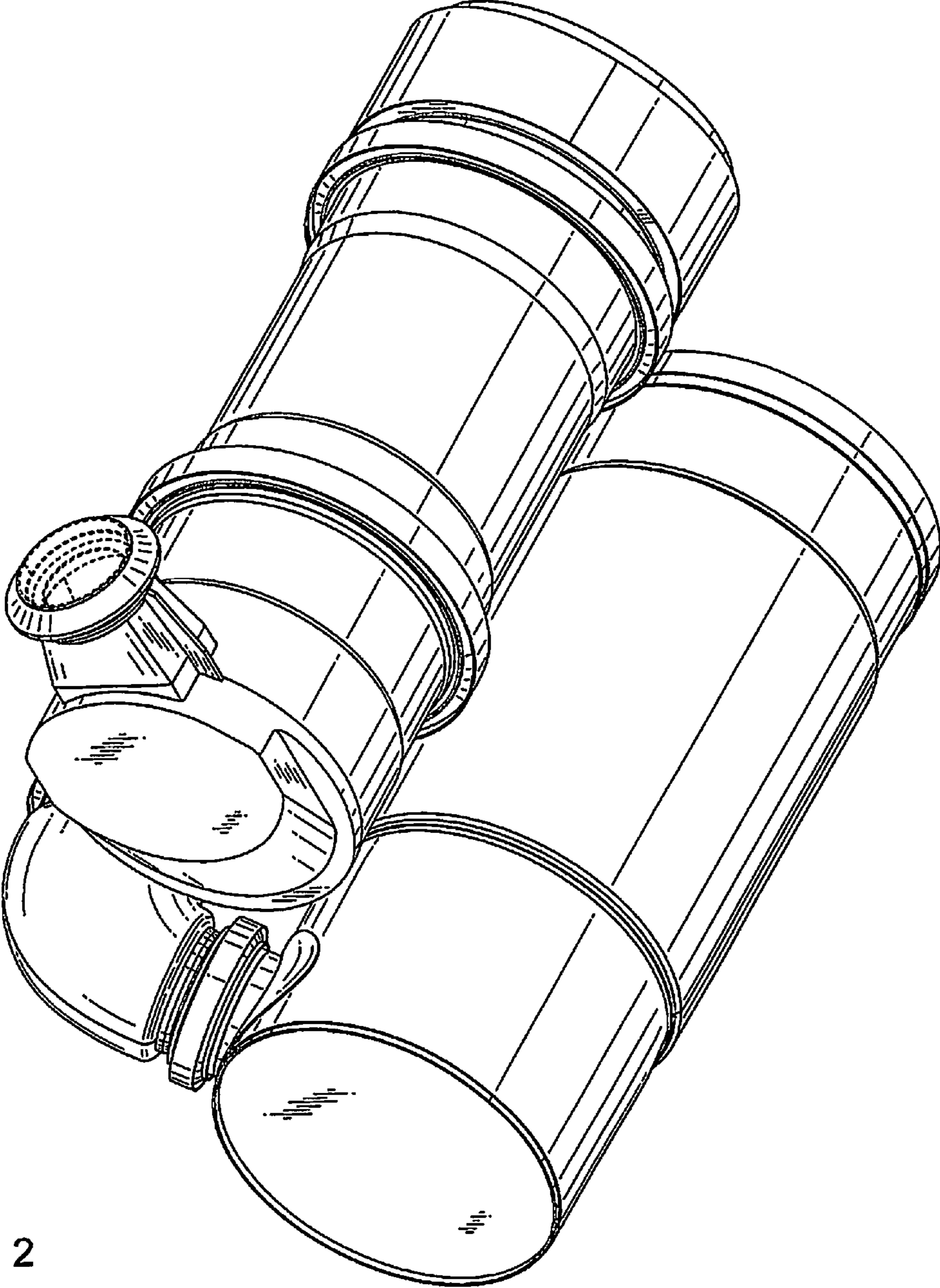


Fig. 2

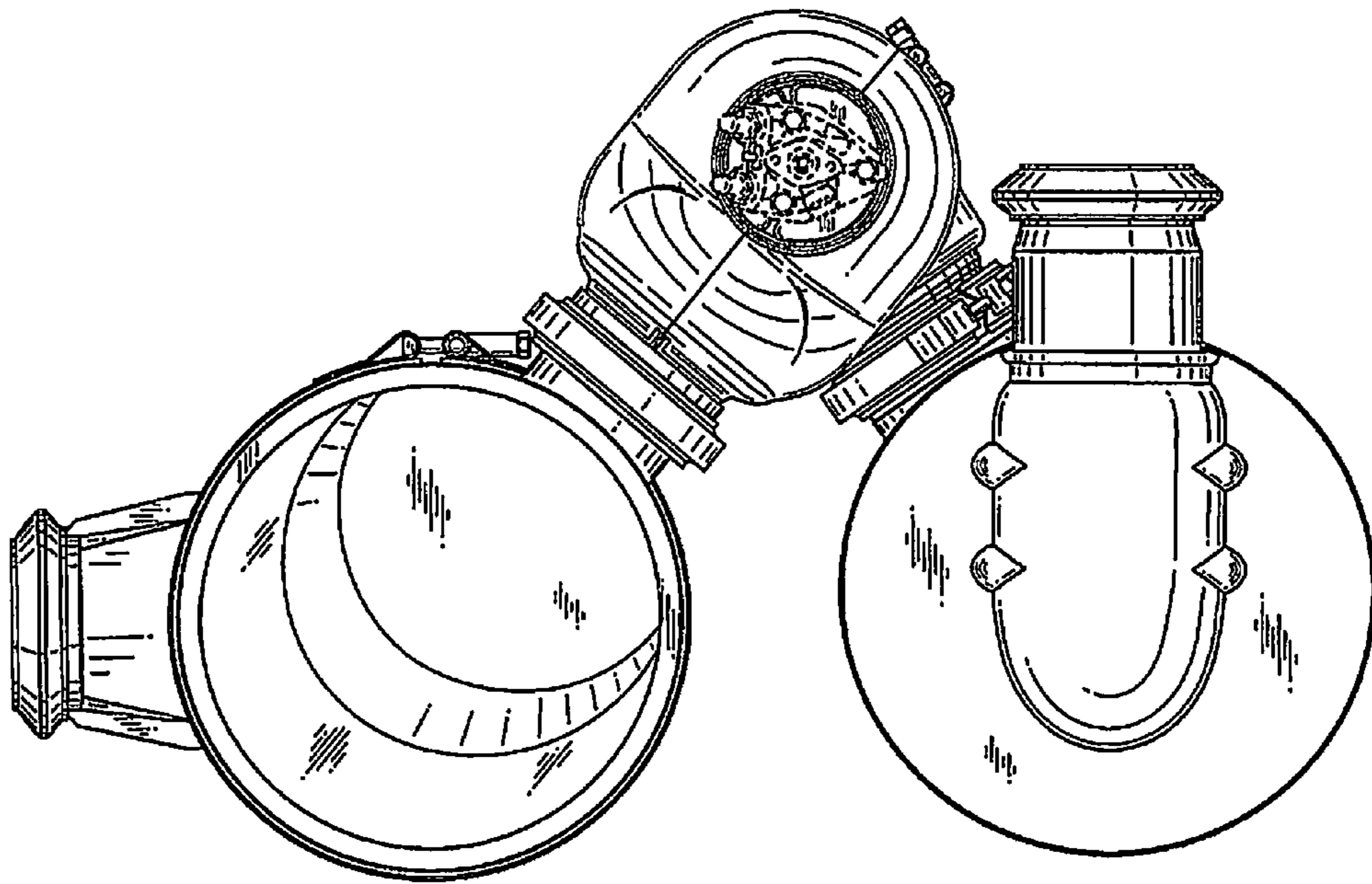


Fig. 3

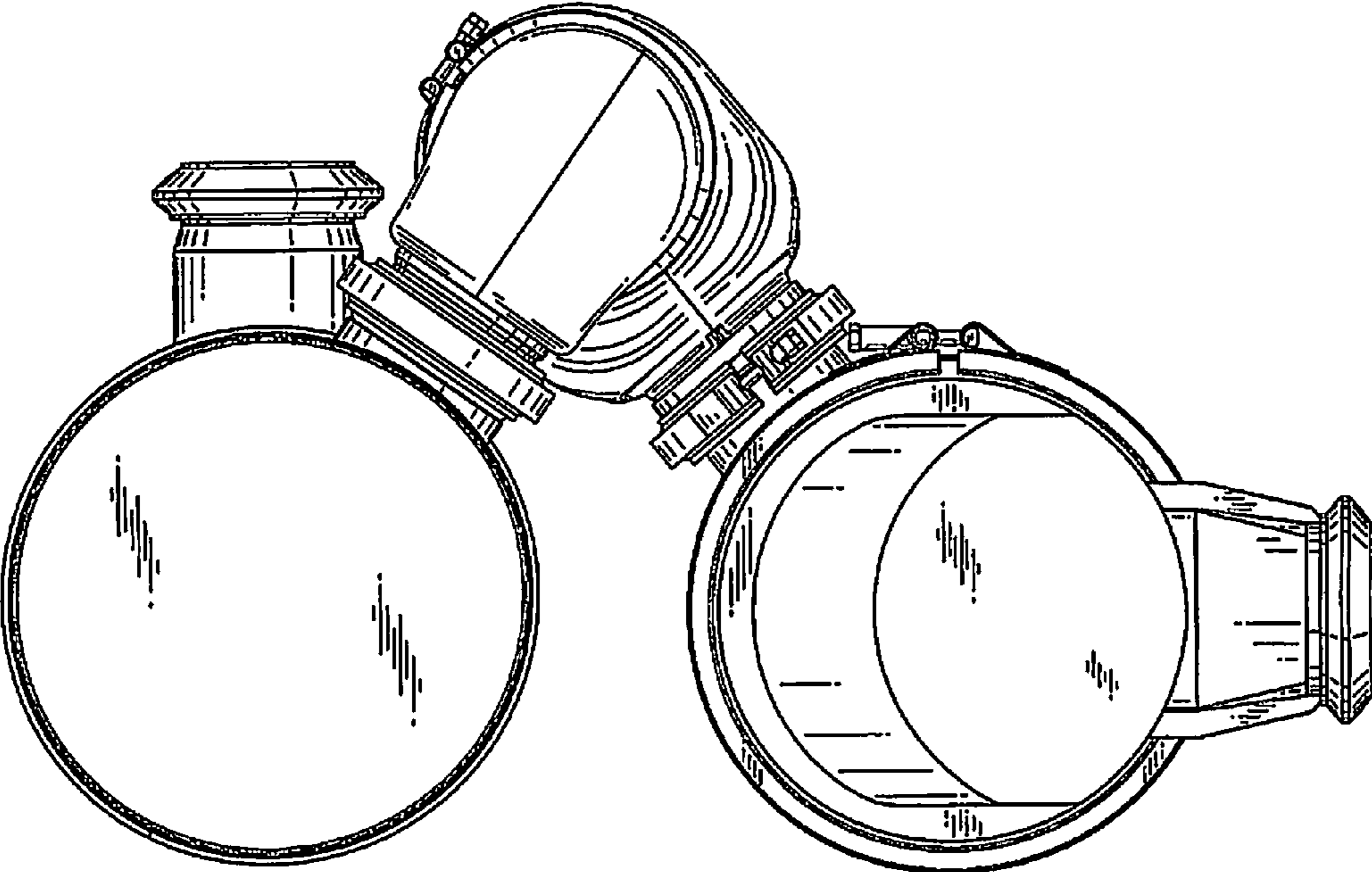


Fig. 4

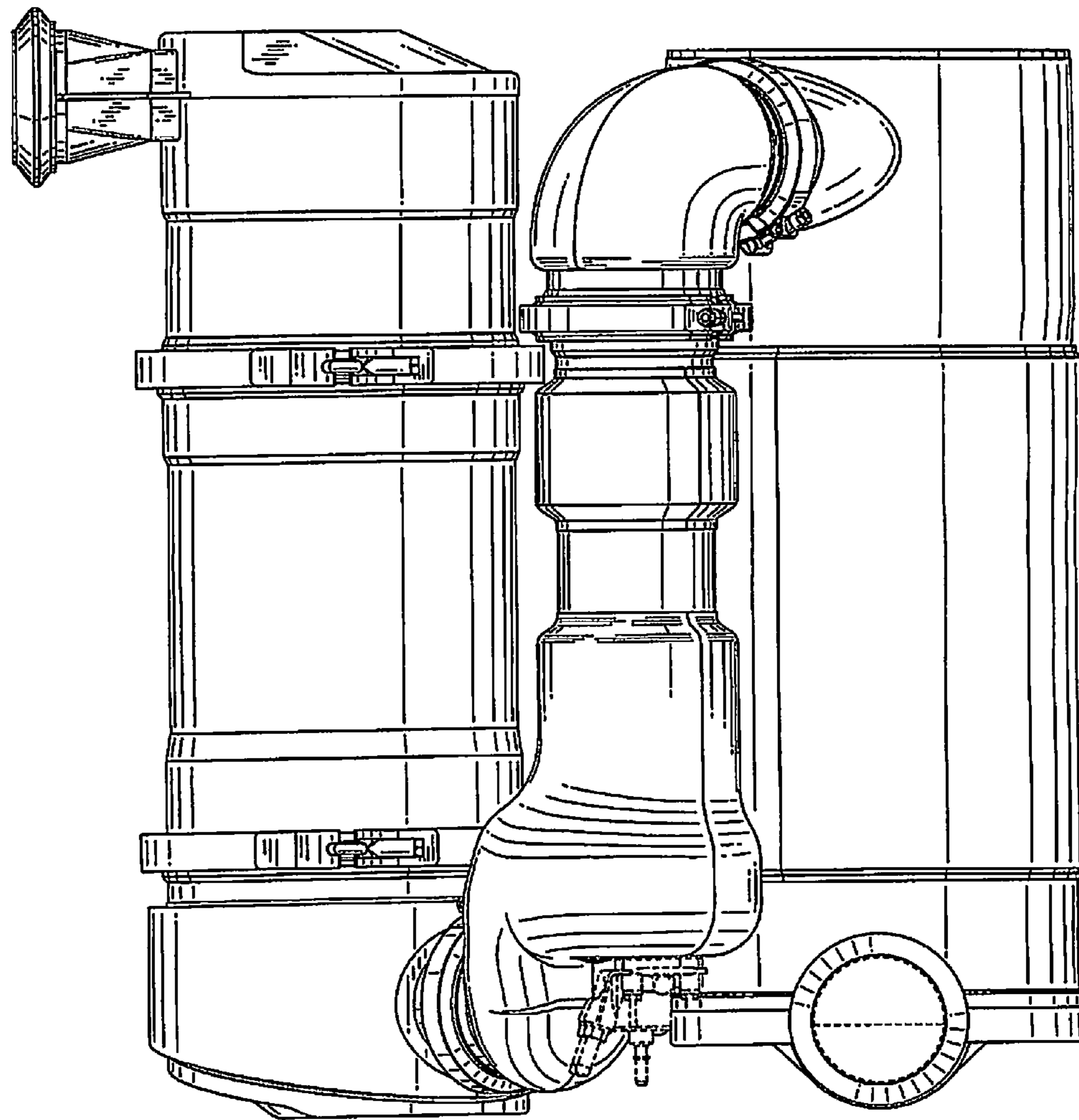


Fig. 5

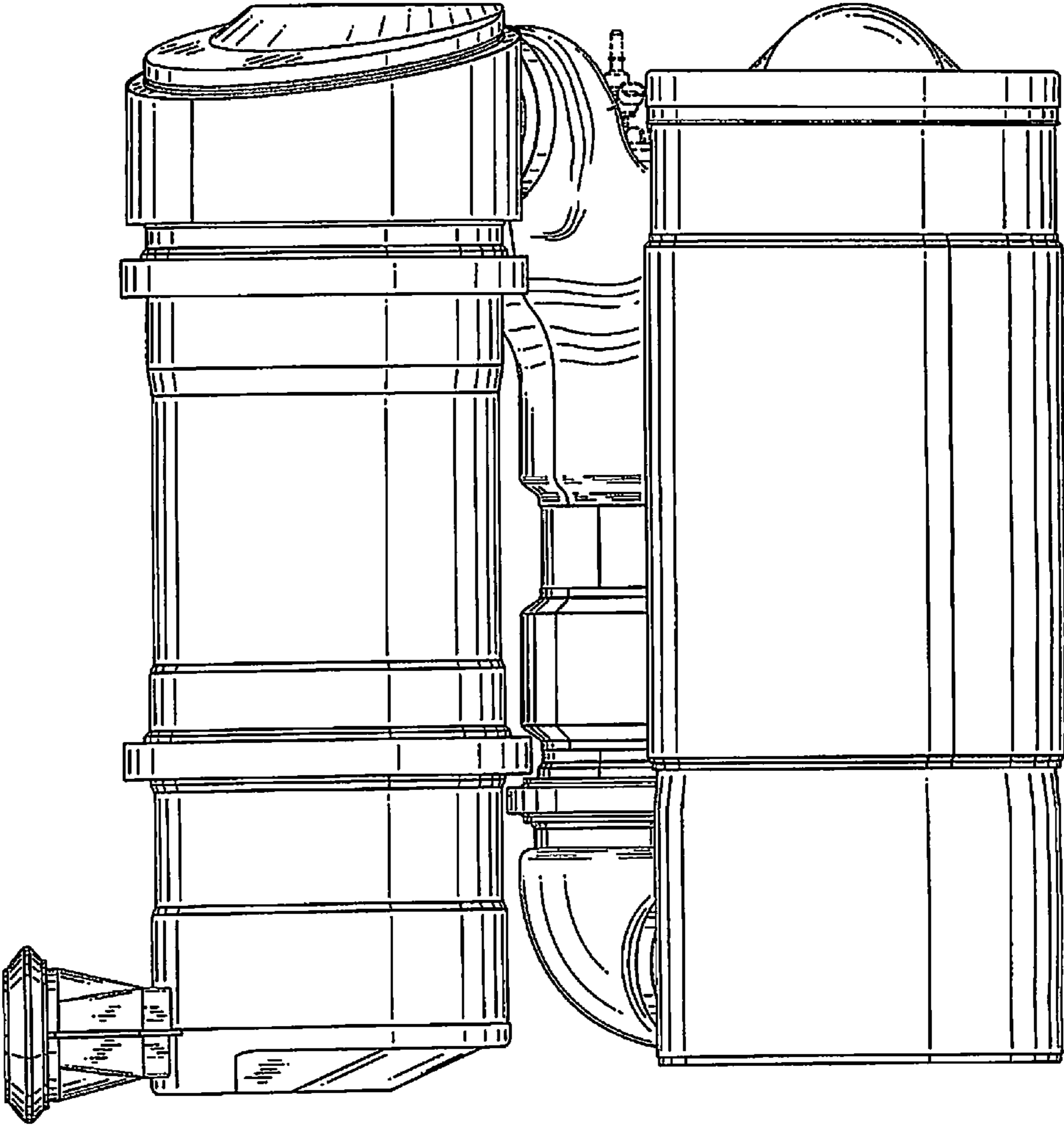


Fig. 6

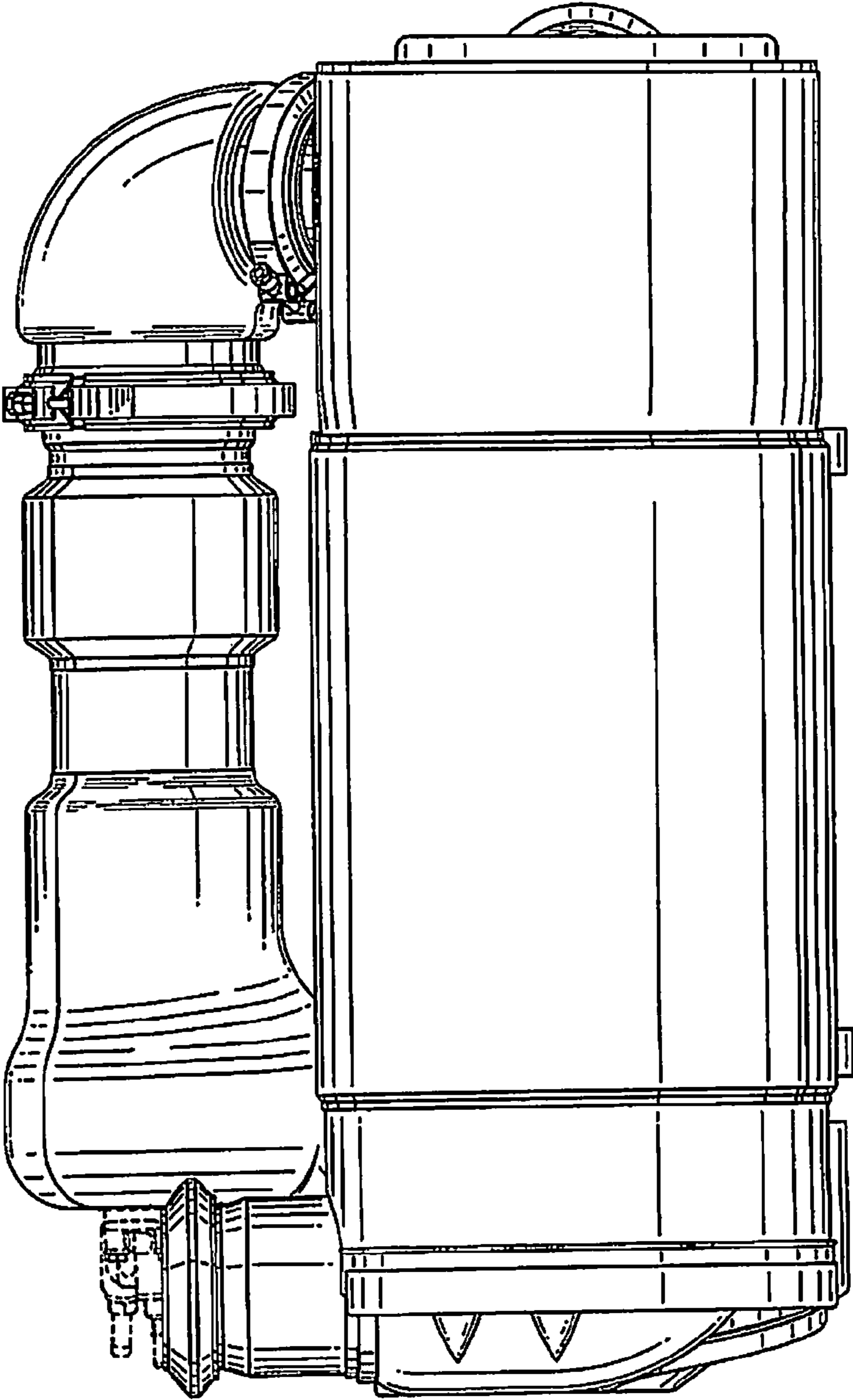


Fig. 7

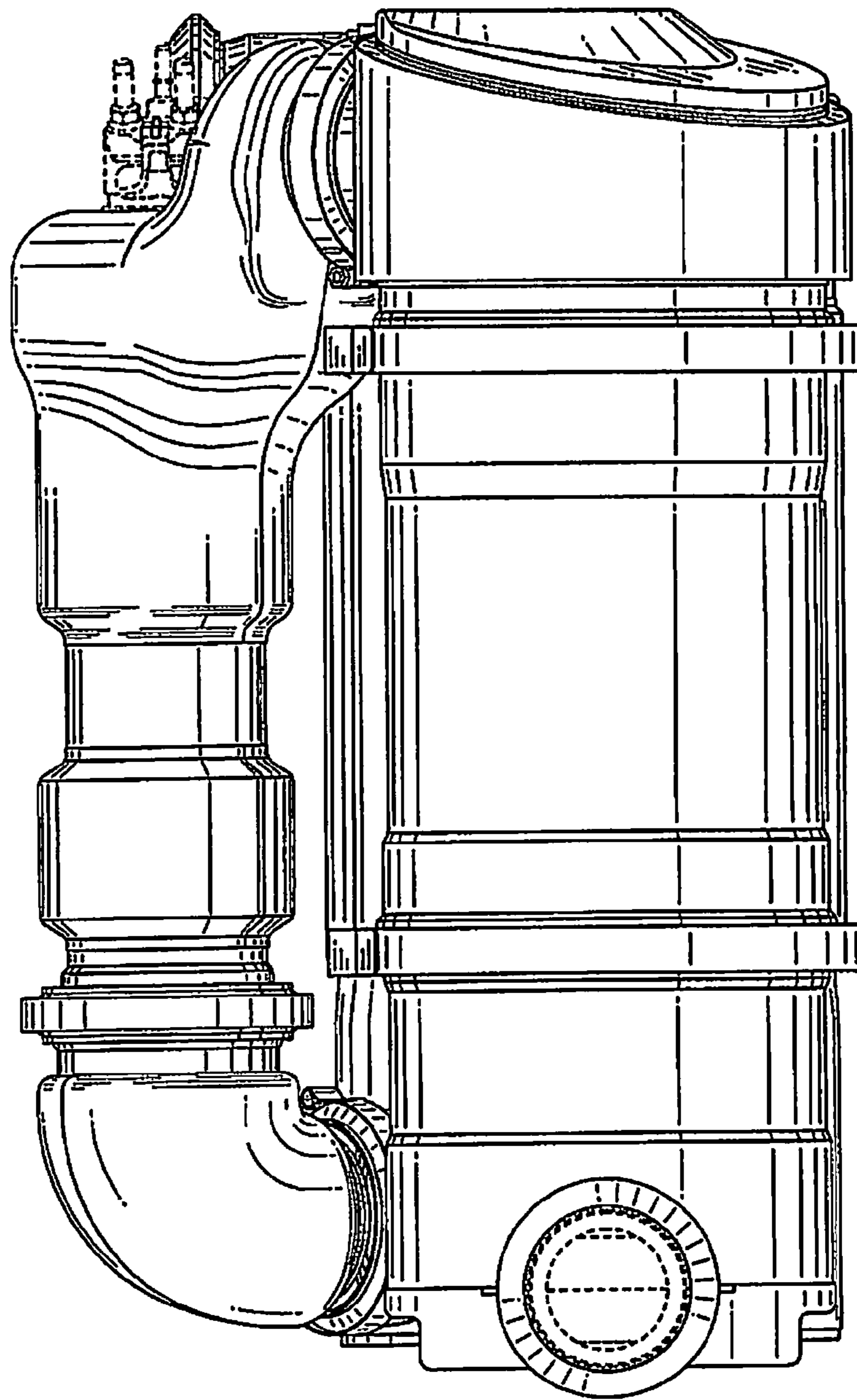


Fig. 8