



US00D717309S

(12) **United States Design Patent**
Govindarajan

(10) **Patent No.:** **US D717,309 S**
(45) **Date of Patent:** **** Nov. 11, 2014**

(54) **BLUETOOTH LOW ENERGY DONGLE**

(71) Applicant: **Ebay Inc.**, San Jose, CA (US)

(72) Inventor: **Satish Govindarajan**, Los Altos, CA (US)

(73) Assignee: **Ebay Inc.**, San Jose, CA (US)

(**) Term: **14 Years**

(21) Appl. No.: **29/455,720**

(22) Filed: **May 23, 2013**

(51) **LOC (10) Cl.** **14-02**

(52) **U.S. Cl.**
USPC **D14/480.6**

(58) **Field of Classification Search**
CPC G06K 19/07732
USPC D14/411, 433, 435.1, 436, 480.1-480.7,
D14/484.1, 137, 155, 203.1-203.8, 240,
D14/242; D13/133, 154
See application file for complete search history.

(56) **References Cited**

U.S. PATENT DOCUMENTS

D449,615 S *	10/2001	Lloyd	D14/435.1
D463,426 S *	9/2002	Cheng	D14/480.1
D532,776 S *	11/2006	Griffin	D14/435.1
D537,036 S *	2/2007	Chen	D14/433
D574,822 S *	8/2008	Bhavnani	D14/480.3
D596,182 S *	7/2009	Kim et al.	D14/435.1
7,574,273 B2 *	8/2009	Obata et al.	700/94

D609,713 S *	2/2010	Du et al.	D14/480.6
D611,463 S *	3/2010	Kim	D14/242
D612,384 S *	3/2010	Kim et al.	D14/435.1
D617,782 S *	6/2010	Kim	D14/242
D619,999 S *	7/2010	Wu et al.	D14/240
7,833,029 B2 *	11/2010	Choi et al.	439/135
D637,587 S *	5/2011	Pan	D14/242
D645,869 S *	9/2011	Hathway et al.	D14/480.6
D650,390 S *	12/2011	Aqqad et al.	D14/480.6
2008/0133832 A1 *	6/2008	Bhavnani	711/115
2010/0287732 A1 *	11/2010	Fang et al.	16/250
2013/0050921 A1 *	2/2013	Lin et al.	361/679.02

* cited by examiner

Primary Examiner — Karen E Kearney

(74) *Attorney, Agent, or Firm* — Haynes and Boone, LLP

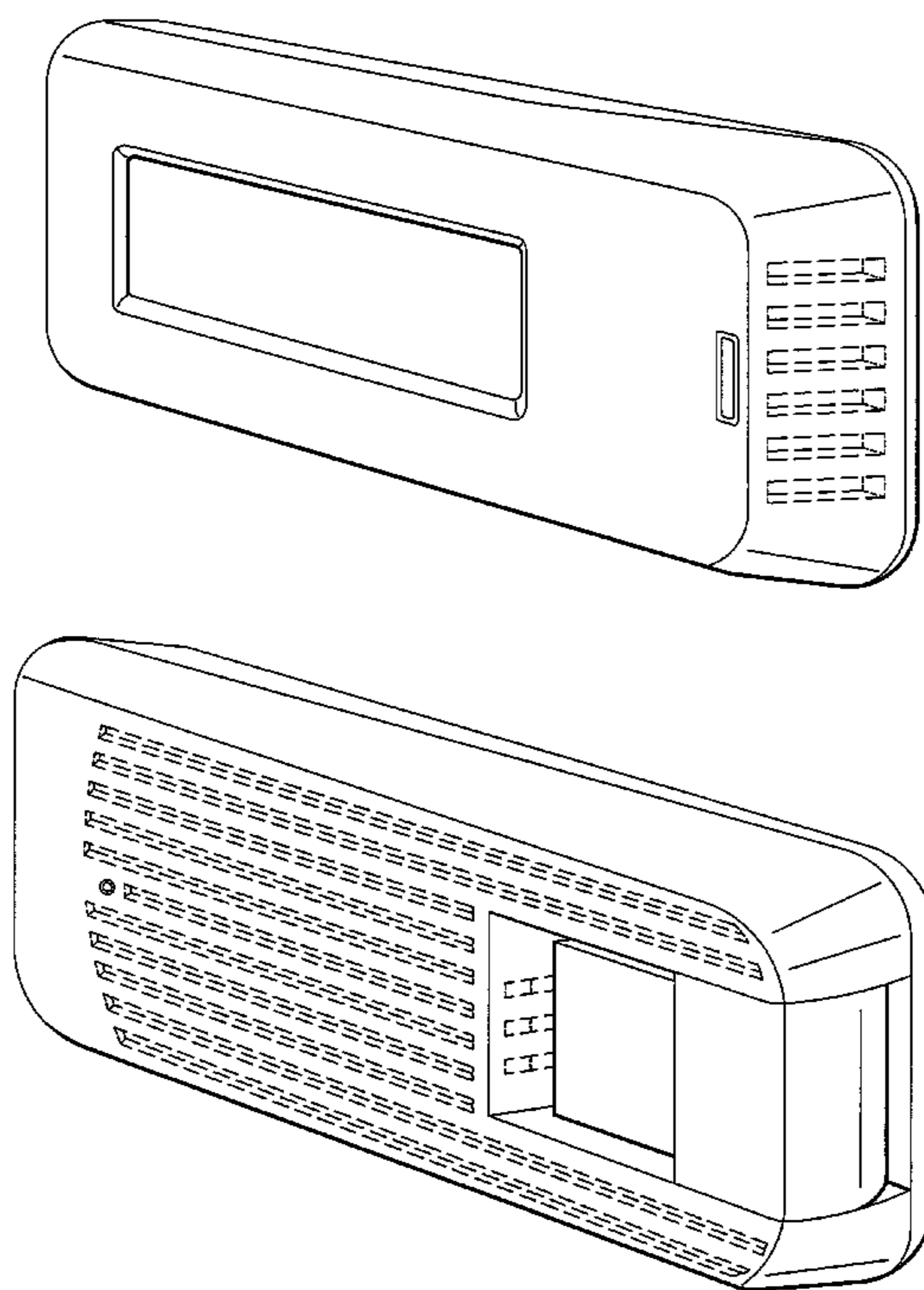
(57) **CLAIM**

The ornamental design for a bluetooth low energy dongle, as shown and described.

DESCRIPTION

FIG. 1 is a top front perspective view of a bluetooth low energy dongle showing my new design; FIG. 2 is a top rear perspective view thereof; FIG. 3 is a bottom front perspective view thereof; FIG. 4 is a front view thereof; FIG. 5 is a rear view thereof; FIG. 6 is a top view thereof; FIG. 7 is a bottom view thereof; and, FIG. 8 is a side view thereof. In the drawings, the broken lines depict environmental subject matter only and form no part of the claimed design.

1 Claim, 5 Drawing Sheets



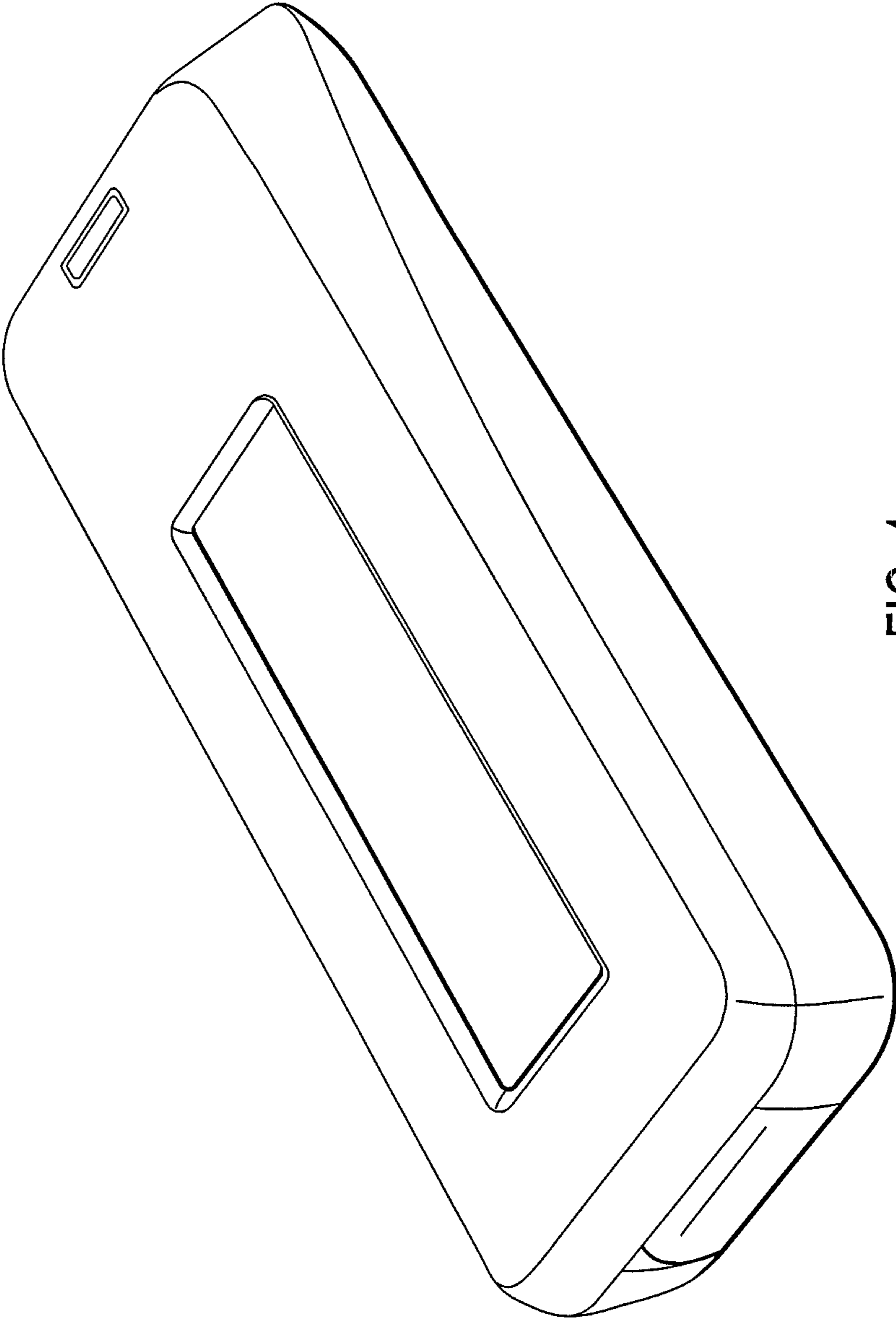


FIG. 1

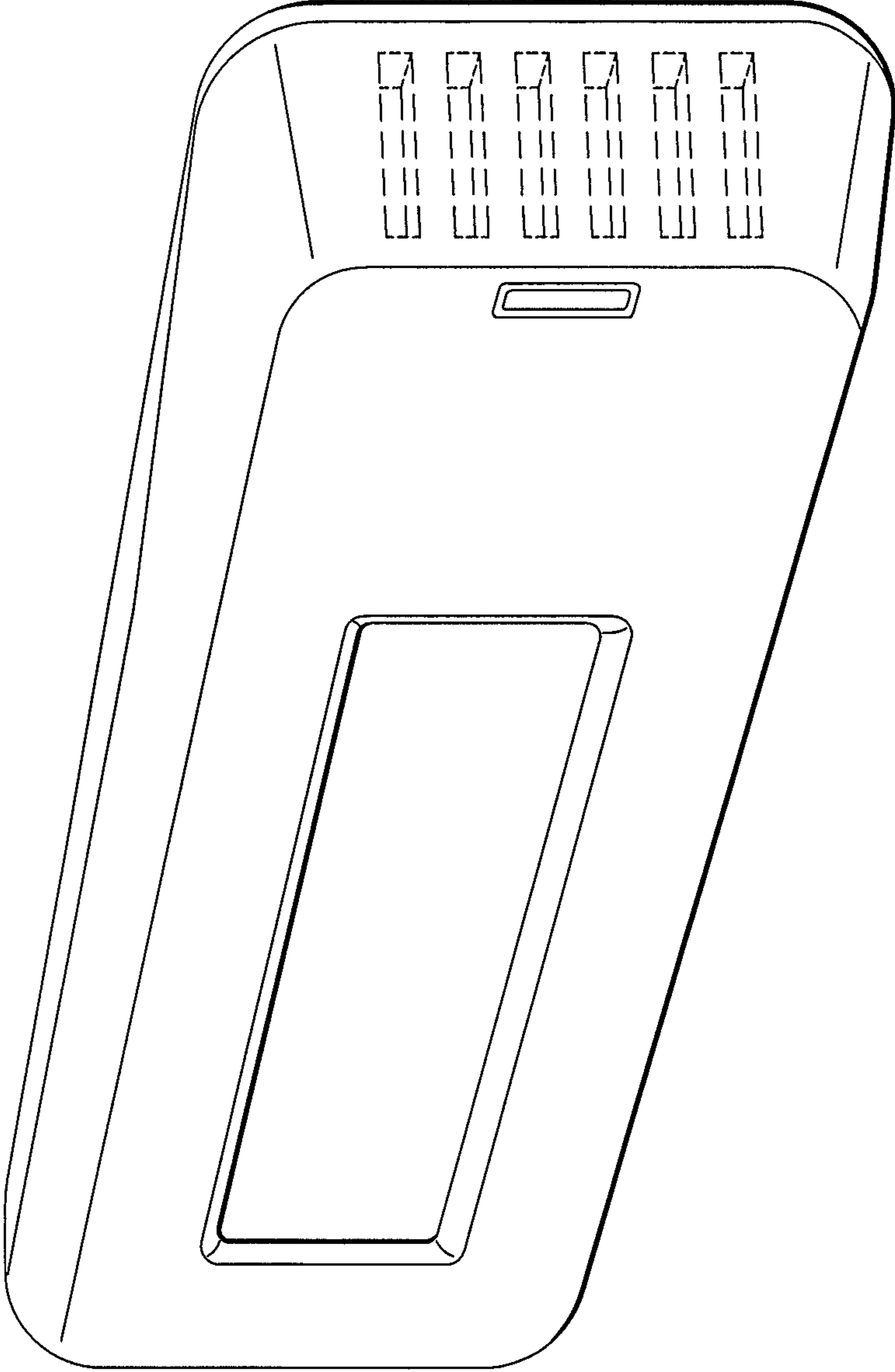


FIG. 2

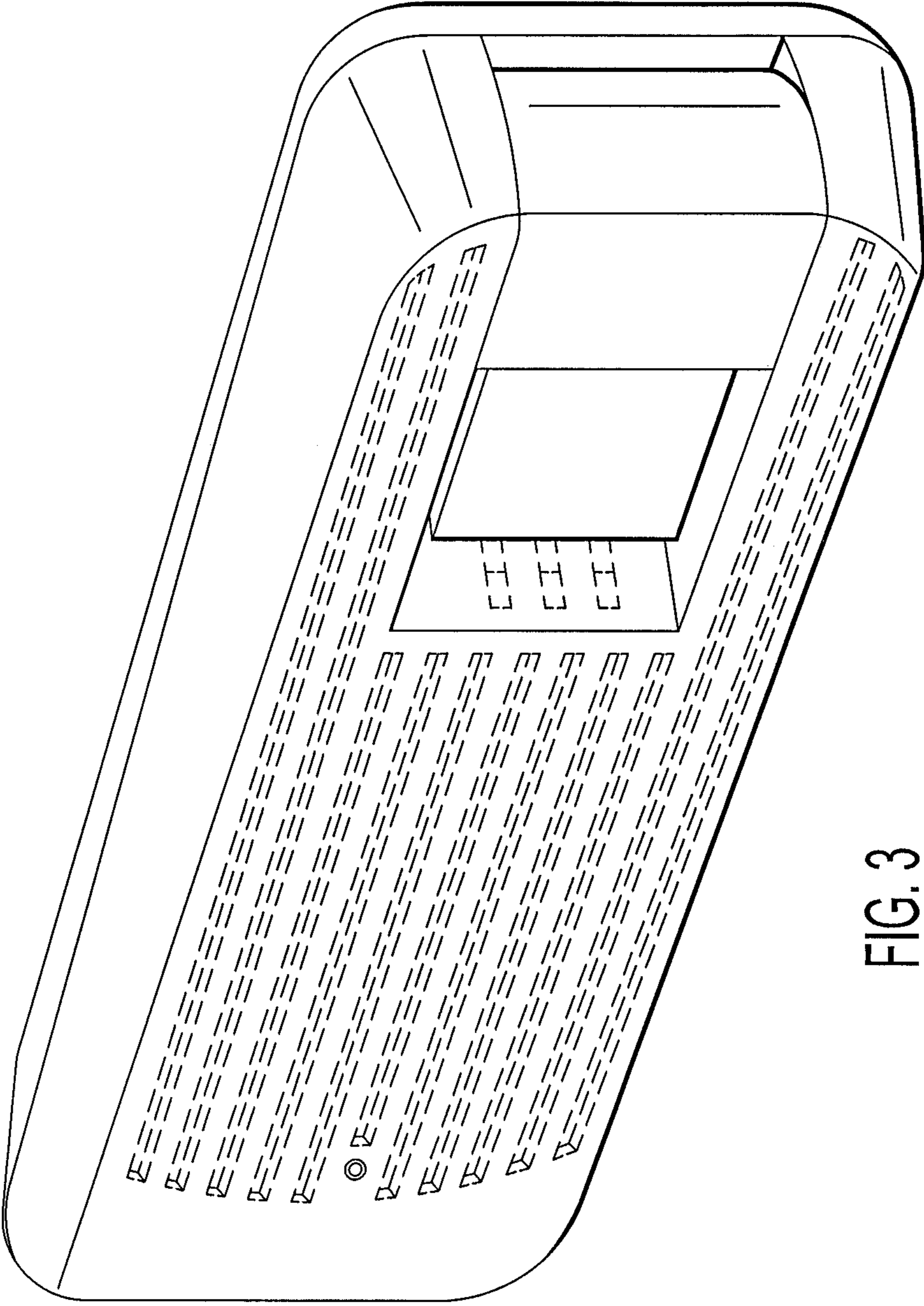


FIG. 3

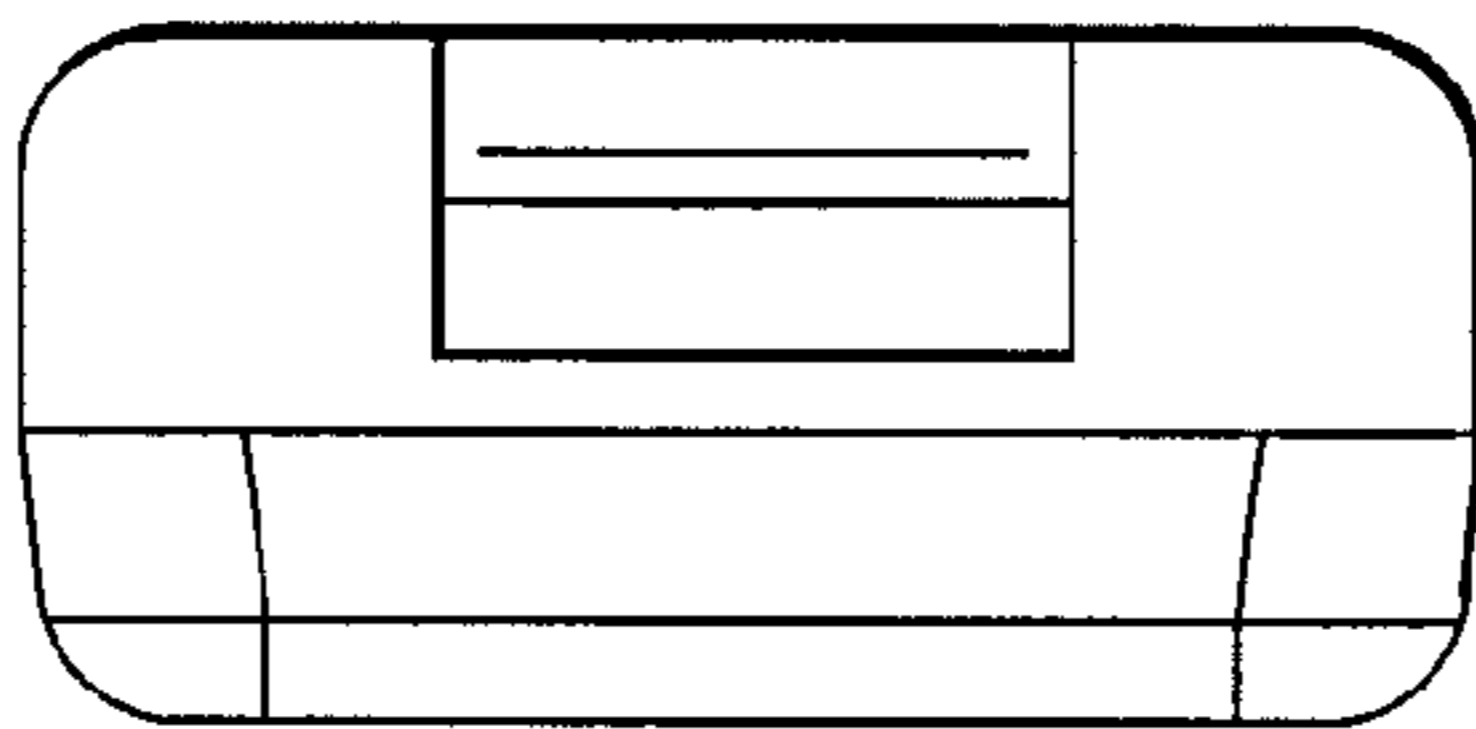


FIG. 4

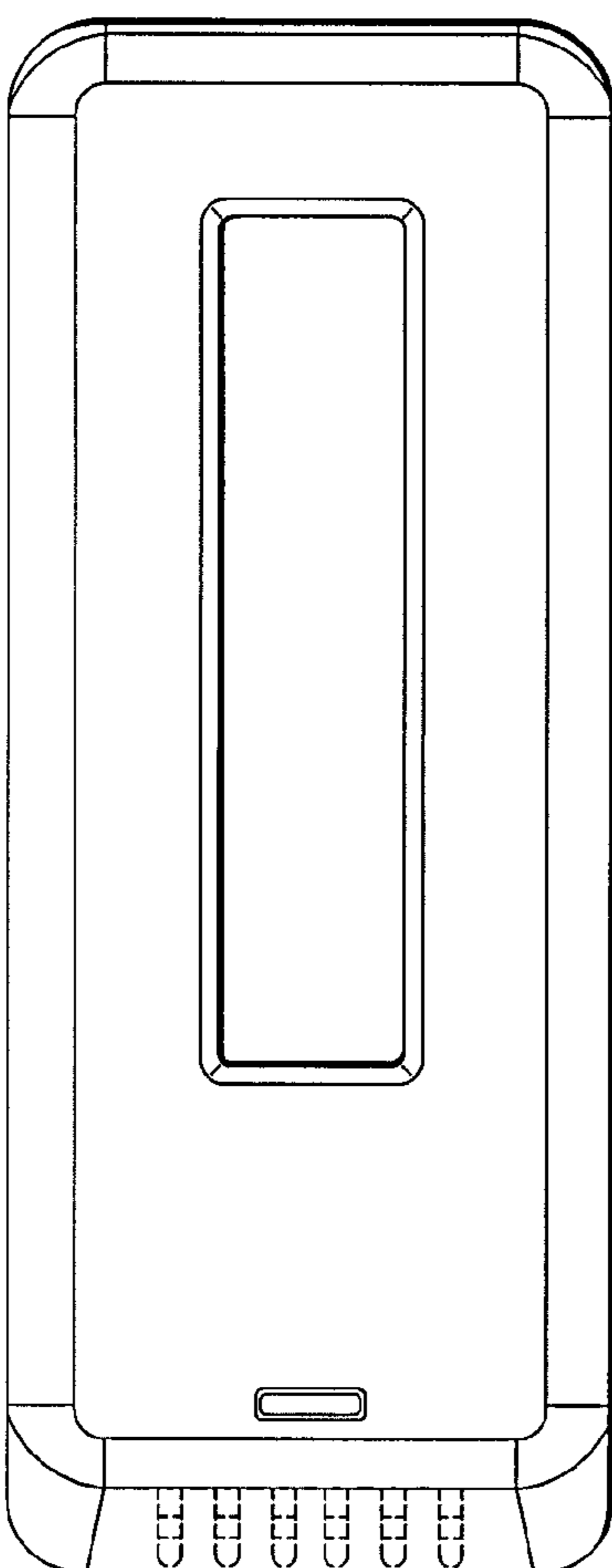


FIG. 6

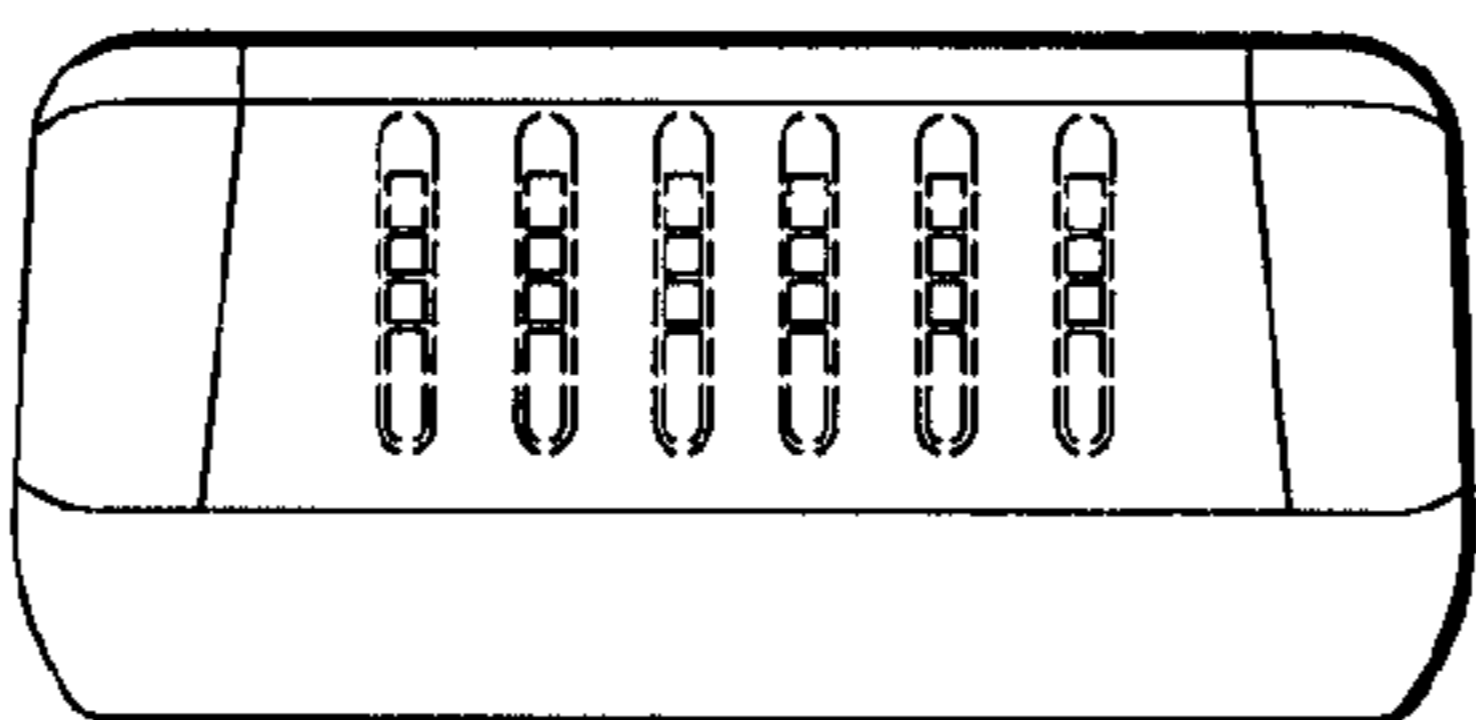


FIG. 5

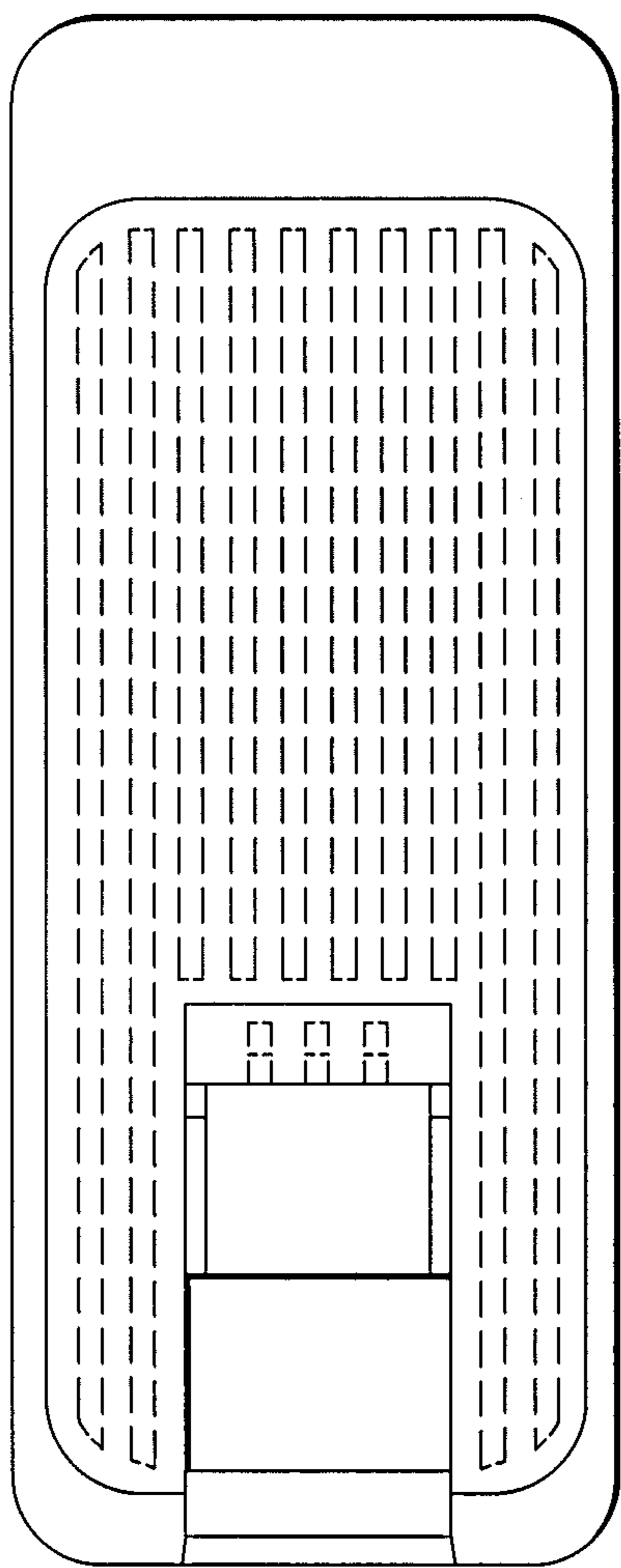


FIG. 7

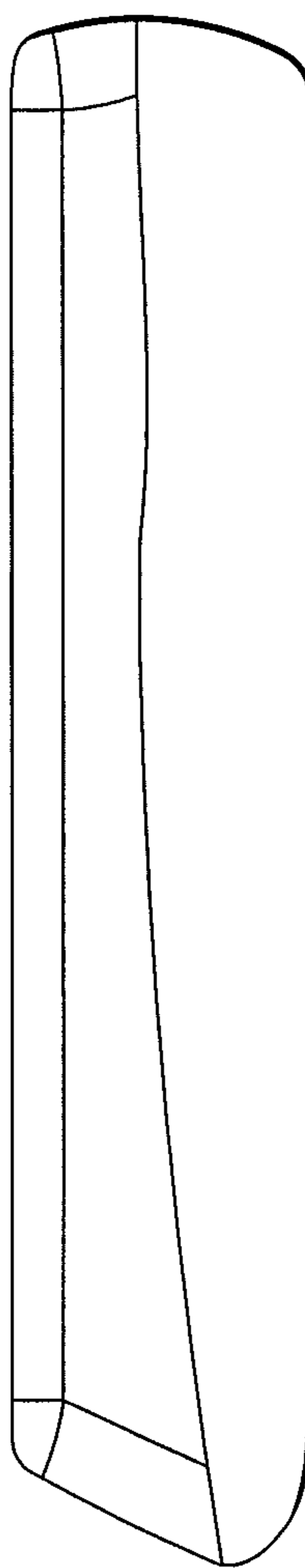


FIG. 8