



US00D717308S

(12) **United States Design Patent**  
**Knoll et al.**

(10) **Patent No.:** **US D717,308 S**

(45) **Date of Patent:** **\*\* Nov. 11, 2014**

(54) **STAND**

(71) Applicant: **Target Brands, Inc.**, Minneapolis, MN (US)

(72) Inventors: **Mitchell Knoll**, Eagan, MN (US);  
**Matthew D. Peterson**, Elk River, MN (US)

(73) Assignee: **Target Brands, Inc.**, Minneapolis, MN (US)

(\*\*) Term: **14 Years**

(21) Appl. No.: **29/436,107**

(22) Filed: **Nov. 1, 2012**

(51) **LOC (10) Cl.** ..... **14-02**

(52) **U.S. Cl.**  
USPC ..... **D14/453**

(58) **Field of Classification Search**  
USPC ..... D14/434, 447, 453, 432, 433, 385, 357,  
D14/149, 457, 253, 251, 356, 242, 439,  
D14/344; D13/108, 118, 199, 107, 177;  
D3/218, 228, 269; D18/12; D8/349,  
D8/382; 361/683, 686, 679, 600; 455/557,  
455/556.1, 556.2, 575.4, 569.2, 569.1;  
248/346.03, 176.1, 181.1, 309.1,  
248/221.11; 200/6 R; 206/701;  
320/113-115, 107; 379/426; 345/156,  
345/901, 905; 439/374, 131, 529, 534, 929,  
439/346, 31, 640; 235/472.01; 429/100  
See application file for complete search history.

(56) **References Cited**

**U.S. PATENT DOCUMENTS**

3,774,046 A 11/1973 Hoch et al.  
D243,575 S 3/1977 Knox  
D244,238 S \* 5/1977 Hill et al. .... D6/466  
D245,464 S \* 8/1977 Reiss ..... D16/309  
D257,359 S 10/1980 Lloyd, Jr.  
D272,265 S \* 1/1984 Voltz ..... D24/177

D276,100 S \* 10/1984 Middleton ..... D6/466  
D283,954 S \* 5/1986 Daws ..... D6/310  
4,645,275 A 2/1987 Pucci  
4,651,967 A 3/1987 McCoy  
D290,020 S 5/1987 McCoy  
D290,706 S \* 7/1987 Peart et al. .... D14/451  
D294,025 S \* 2/1988 Boykiw ..... D14/253  
D297,190 S 8/1988 Arnott  
4,766,297 A 8/1988 McMillan  
D298,637 S 11/1988 Sokolowski

(Continued)

**OTHER PUBLICATIONS**

Computers 4 Sure, "Lexmark MFP Adjustable Stand," <http://www.computers4sure.com/product.asp?productid=472961>, 1 page, at least as early as Aug. 10, 2012.

(Continued)

*Primary Examiner* — Susan Moon Lee

(74) *Attorney, Agent, or Firm* — Leanne Taveggia Farrell; Westman, Champlin & Koehler, P.A.

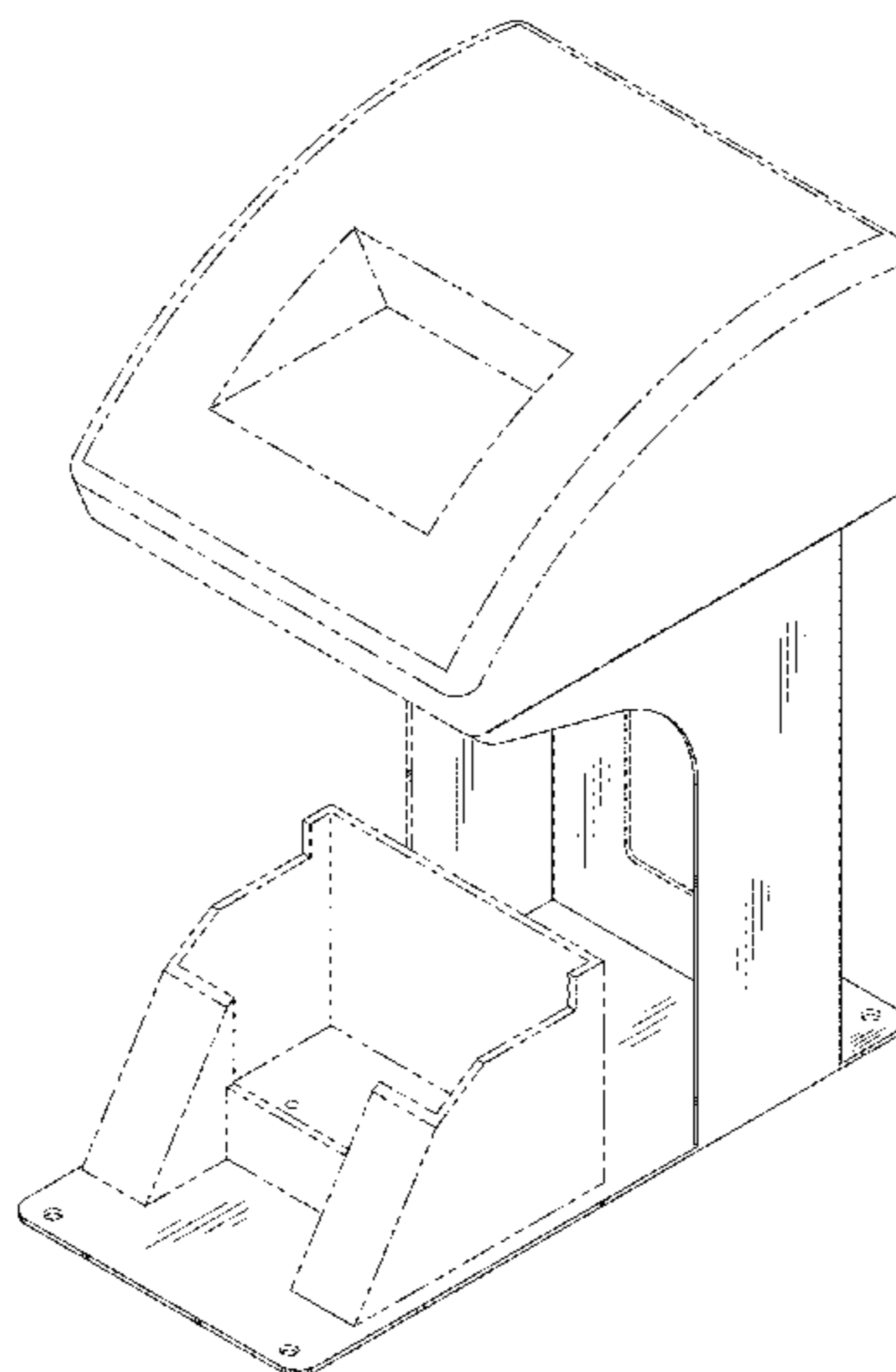
(57) **CLAIM**

The ornamental design for a stand, as shown and described.

**DESCRIPTION**

FIG. 1 is an environmental perspective view of a stand showing our new design;  
FIG. 2 is another perspective view of the stand of FIG. 1 with the environmental phantom elements removed;  
FIG. 3 is a front view thereof;  
FIG. 4 is a top view thereof;  
FIG. 5 is a side view thereof, the opposite side being a mirror image;  
FIG. 6 is a back view thereof; and,  
FIG. 7 is a bottom view thereof.  
The phantom elements depicted in non-uniform dash-dot lines are environmental and are not claimed. Broken lines and unshaded portions contained within broken lines are not claimed.

**1 Claim, 7 Drawing Sheets**



(56)

## References Cited

## U.S. PATENT DOCUMENTS

- 4,880,202 A 11/1989 Gauss  
D307,084 S 4/1990 Currie  
4,923,154 A \* 5/1990 Konkel ..... 248/131  
D309,307 S \* 7/1990 Sigurdson ..... D14/251  
D311,753 S 10/1990 Westland et al.  
D311,754 S 10/1990 Hassel et al.  
D314,974 S 2/1991 Peart  
D315,353 S \* 3/1991 Greenwood et al. .... D14/253  
5,019,694 A 5/1991 Collins, Jr.  
5,042,762 A 8/1991 Kerr  
D321,915 S \* 11/1991 Urbanski ..... D14/454  
D323,085 S \* 1/1992 Konkel ..... D6/466  
D328,203 S 7/1992 Allen  
5,177,345 A 1/1993 Baitz  
5,183,135 A 2/1993 Kurimoto et al.  
5,187,744 A \* 2/1993 Richter ..... 379/449  
D334,310 S 3/1993 Keong  
5,198,650 A \* 3/1993 Wike, Jr. .... 235/462.45  
D350,127 S \* 8/1994 Gummeson et al. .... D14/453  
5,359,741 A \* 11/1994 Lang ..... 5/507.1  
D356,074 S \* 3/1995 Coblentz et al. .... D14/457  
D361,070 S \* 8/1995 Wall et al. .... D14/253  
D361,228 S 8/1995 Hassel et al.  
D366,781 S \* 2/1996 Cartwright ..... D6/422  
D382,904 S \* 8/1997 Comeaux et al. .... D19/90  
D391,266 S \* 2/1998 Richter ..... D14/253  
D394,172 S \* 5/1998 Kubo et al. .... D6/474  
5,853,322 A 12/1998 Jones et al.  
D403,536 S 1/1999 Olson et al.  
D409,018 S \* 5/1999 Deuschle ..... D6/466  
D409,992 S \* 5/1999 Mockett ..... D14/451  
5,942,759 A 8/1999 Romano  
D413,607 S \* 9/1999 Lindahl ..... D14/253  
5,949,052 A \* 9/1999 Longacre et al. .... 235/462.08  
D415,791 S 10/1999 Okamura  
5,992,747 A 11/1999 Katoh et al.  
6,065,728 A 5/2000 Spradlin  
D427,605 S \* 7/2000 Schmidt et al. .... D14/453  
D438,536 S \* 3/2001 Willison et al. .... D14/253  
6,216,951 B1 \* 4/2001 Swift et al. .... 235/462.45  
D442,966 S \* 5/2001 Cabric ..... D14/447  
6,298,175 B1 \* 10/2001 Longacre et al. .... 382/312  
6,336,587 B1 \* 1/2002 He et al. .... 235/462.45  
D454,136 S \* 3/2002 Deuschle ..... D14/447  
D456,415 S \* 4/2002 Deuschle ..... D14/447  
6,377,935 B1 4/2002 Deaton et al.  
6,421,133 B2 7/2002 Kasai et al.  
6,532,314 B1 \* 3/2003 Plain et al. .... 382/312  
6,575,367 B1 \* 6/2003 Longacre, Jr. .... 235/462.11  
6,719,201 B2 4/2004 Tamburrini et al.  
D489,322 S \* 5/2004 Sawai et al. .... D13/108  
D493,802 S 8/2004 Berentzen et al.  
6,814,290 B2 \* 11/2004 Longacre ..... 235/462.1  
6,834,596 B2 12/2004 Kerber  
6,984,057 B1 1/2006 Rogers  
D530,333 S \* 10/2006 Richter ..... D14/447  
D545,825 S \* 7/2007 Richter ..... D14/447  
D549,232 S \* 8/2007 Li et al. .... D14/447  
D557,265 S \* 12/2007 Brown et al. .... D14/447  
7,349,202 B2 3/2008 Kano et al.  
D568,327 S \* 5/2008 Fitch et al. .... D14/453  
D570,037 S \* 5/2008 Hartman ..... D26/138  
D576,631 S \* 9/2008 Richter ..... D14/447  
D583,822 S 12/2008 Matsumoto et al.  
D590,834 S \* 4/2009 Richter ..... D14/447  
D593,103 S \* 5/2009 Richter ..... D14/447  
D603,840 S \* 11/2009 Lee et al. .... D14/217  
7,626,634 B2 \* 12/2009 Ohki et al. .... 348/373  
D609,939 S \* 2/2010 Gosine ..... D6/466  
D613,095 S \* 4/2010 Obiorah ..... D6/486  
D617,799 S 6/2010 Odhe et al.  
D629,003 S 12/2010 Alegiani  
D640,247 S \* 6/2011 Baumann et al. .... D14/253  
D642,521 S \* 8/2011 Markowitz ..... D13/108  
D644,456 S \* 9/2011 Martin ..... D6/483  
D649,153 S \* 11/2011 Symons ..... D14/447  
D650,372 S \* 12/2011 Molter ..... D14/239  
D652,043 S \* 1/2012 Lee ..... D14/447  
D657,740 S \* 4/2012 Prat-Pfister ..... D13/108  
D659,426 S \* 5/2012 Arko et al. .... D6/419  
8,181,920 B2 \* 5/2012 Brown ..... 248/125.8  
8,186,592 B2 \* 5/2012 Fletcher ..... 235/454  
8,201,726 B2 6/2012 Scott et al.  
8,439,264 B2 \* 5/2013 Barber et al. .... 235/462.01  
D687,243 S \* 8/2013 Kikkert et al. .... D6/672  
D687,832 S \* 8/2013 Edwards et al. .... D14/447  
D689,478 S \* 9/2013 Wikel et al. .... D14/253  
D692,012 S \* 10/2013 Thorne et al. .... D14/447  
D692,376 S \* 10/2013 Palmer et al. .... D13/108  
8,550,357 B2 \* 10/2013 Kearney ..... 235/472.02  
8,590,795 B2 \* 11/2013 Vincenzi ..... 235/472.02  
D695,732 S \* 12/2013 Baumann et al. .... D14/253  
D696,672 S \* 12/2013 Brittain et al. .... D14/447  
D696,675 S \* 12/2013 Delrue et al. .... D14/447  
8,662,399 B2 \* 3/2014 Vassura et al. .... 235/472.01  
D703,677 S \* 4/2014 Bigazzi et al. .... D14/447  
D704,628 S \* 5/2014 Tajik et al. .... D13/108  
D709,896 S \* 7/2014 McKinstry et al. .... D14/447  
8,777,109 B2 \* 7/2014 Oberpriller et al. .... 235/462.43  
2002/0113178 A1 \* 8/2002 Ligertwood ..... 248/158  
2003/0197063 A1 \* 10/2003 Longacre, Jr. .... 235/462.08  
2004/0149829 A1 \* 8/2004 Boucher et al. .... 235/462.43  
2004/0256524 A1 \* 12/2004 Beck et al. .... 248/146  
2005/0109843 A1 5/2005 Dove et al.  
2008/0182224 A1 7/2008 Ahearn  
2010/0140424 A1 \* 6/2010 Richter ..... 248/121  
2010/0155546 A1 \* 6/2010 Lien et al. .... 248/121  
2010/0258634 A1 10/2010 Takahashi  
2010/0320341 A1 \* 12/2010 Baumann et al. .... 248/206.2  
2012/0112019 A1 \* 5/2012 Webb ..... 248/121  
2012/0145793 A1 \* 6/2012 Kearney ..... 235/472.02  
2014/0139082 A1 \* 5/2014 Green ..... 312/237

## OTHER PUBLICATIONS

- Images of Point-of-Sale Registers, publicly available in 2008, 3 pages.  
CSN Office Furniture, "Balt DBL Dual Laser Printer Stand—22001," <http://www.csnofficefurniture.com/Balt-Inc.-DBL-Dual-Laser-Printer-Stand-22001-BL1100.html>, 1 page, at least as early as Oct. 2012.  
CSN Office Furniture, "Balt MaxStax Workstation—25983," <http://www.csnofficefurniture.com/Balt-Inc.-MaxStax-Workstation-25983-BL1021.html>, 1 page, at least as early as Oct. 2012.  
Epson, "Catalina Marketing and Epson Give Retailers Full-Color Coupon Printer Power," 2006, 2 pages.

\* cited by examiner

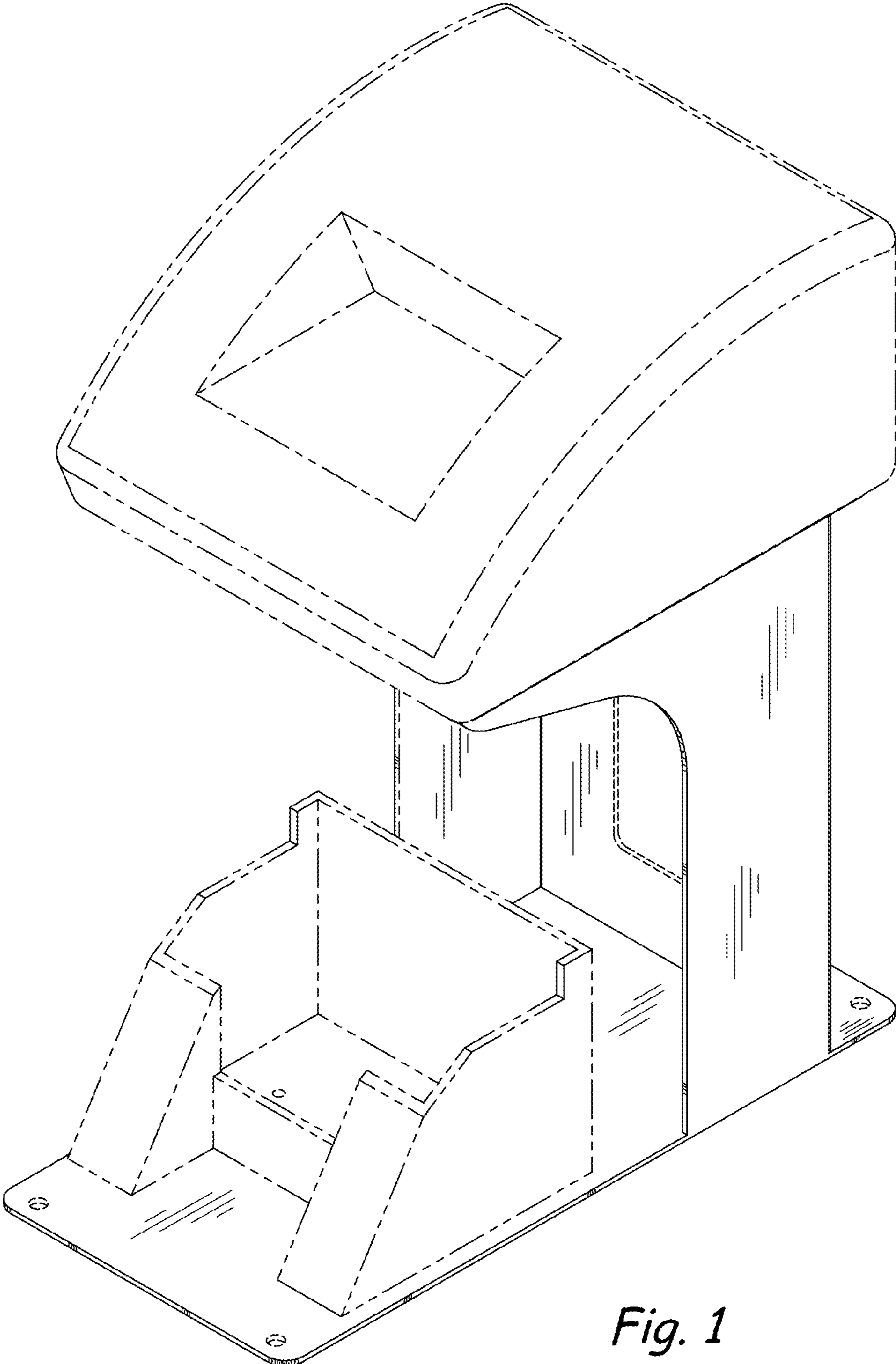
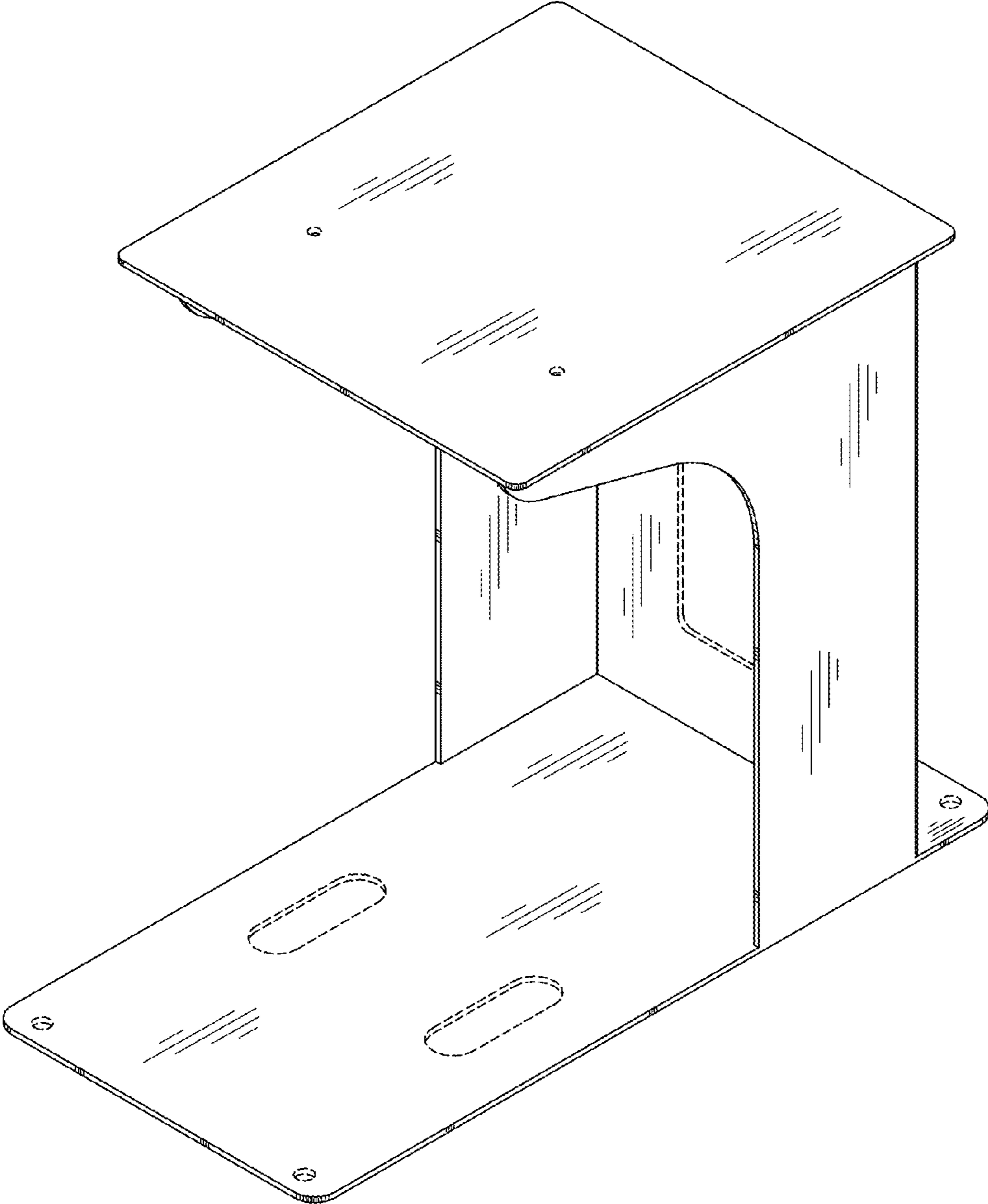
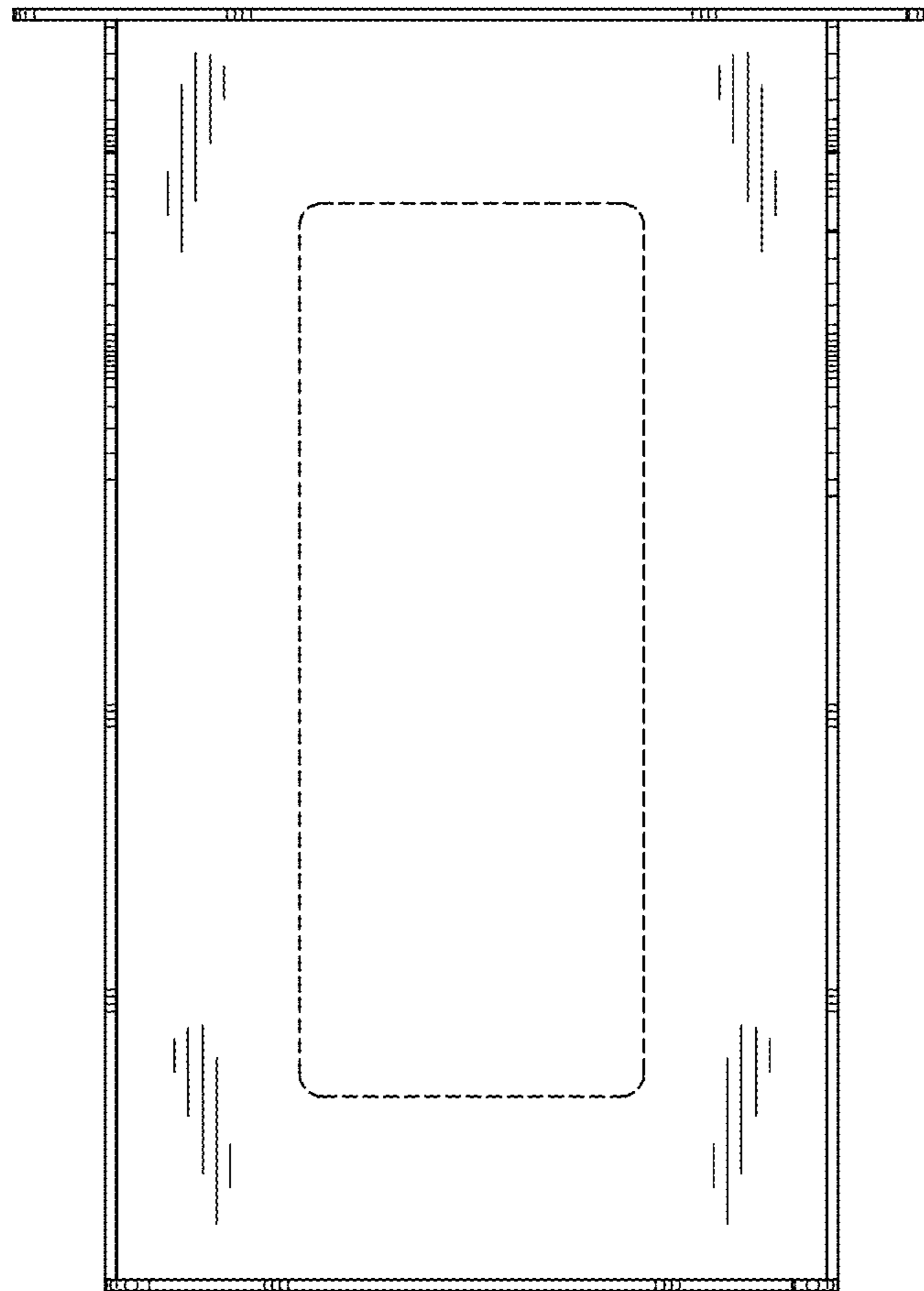


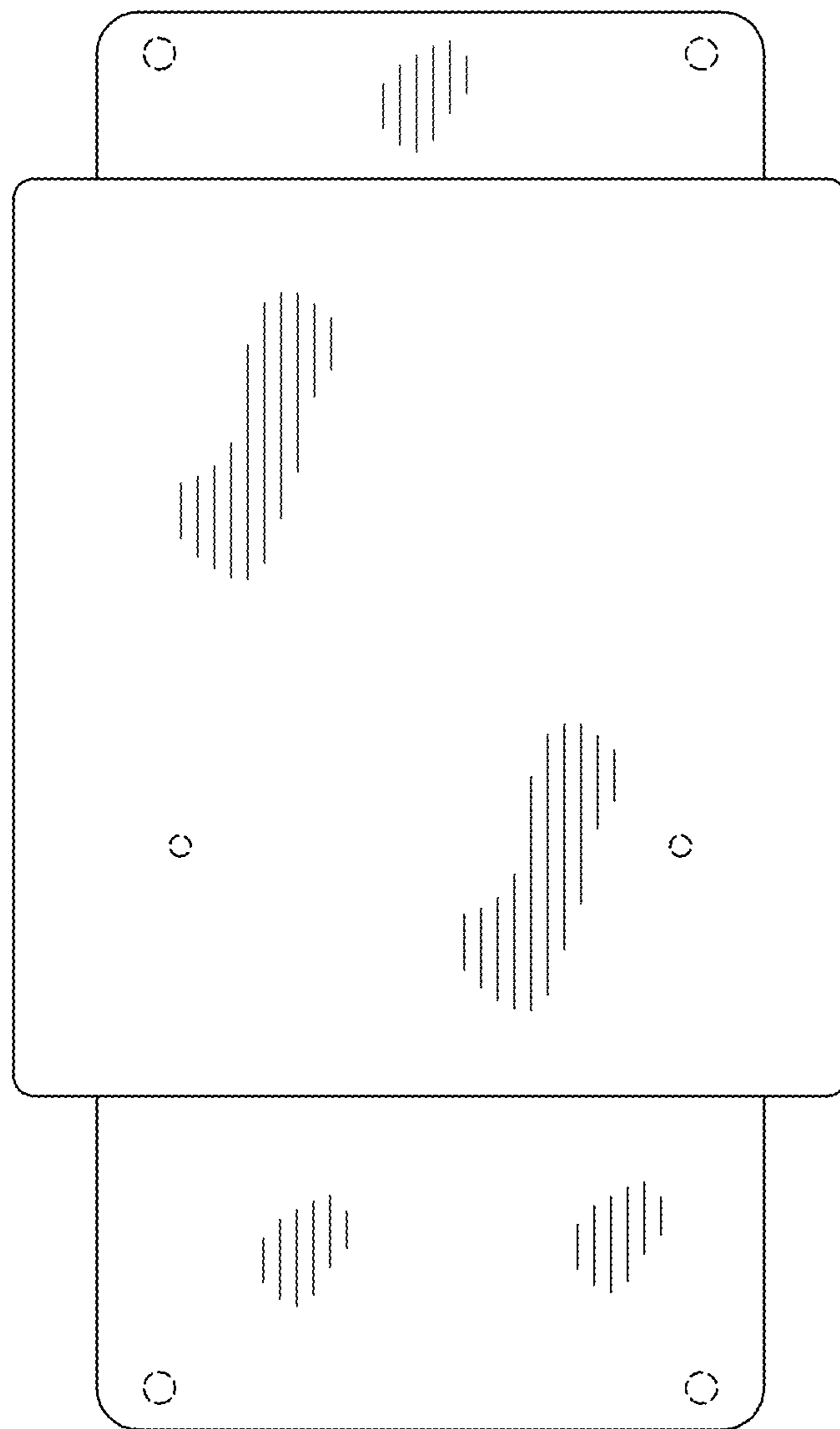
Fig. 1



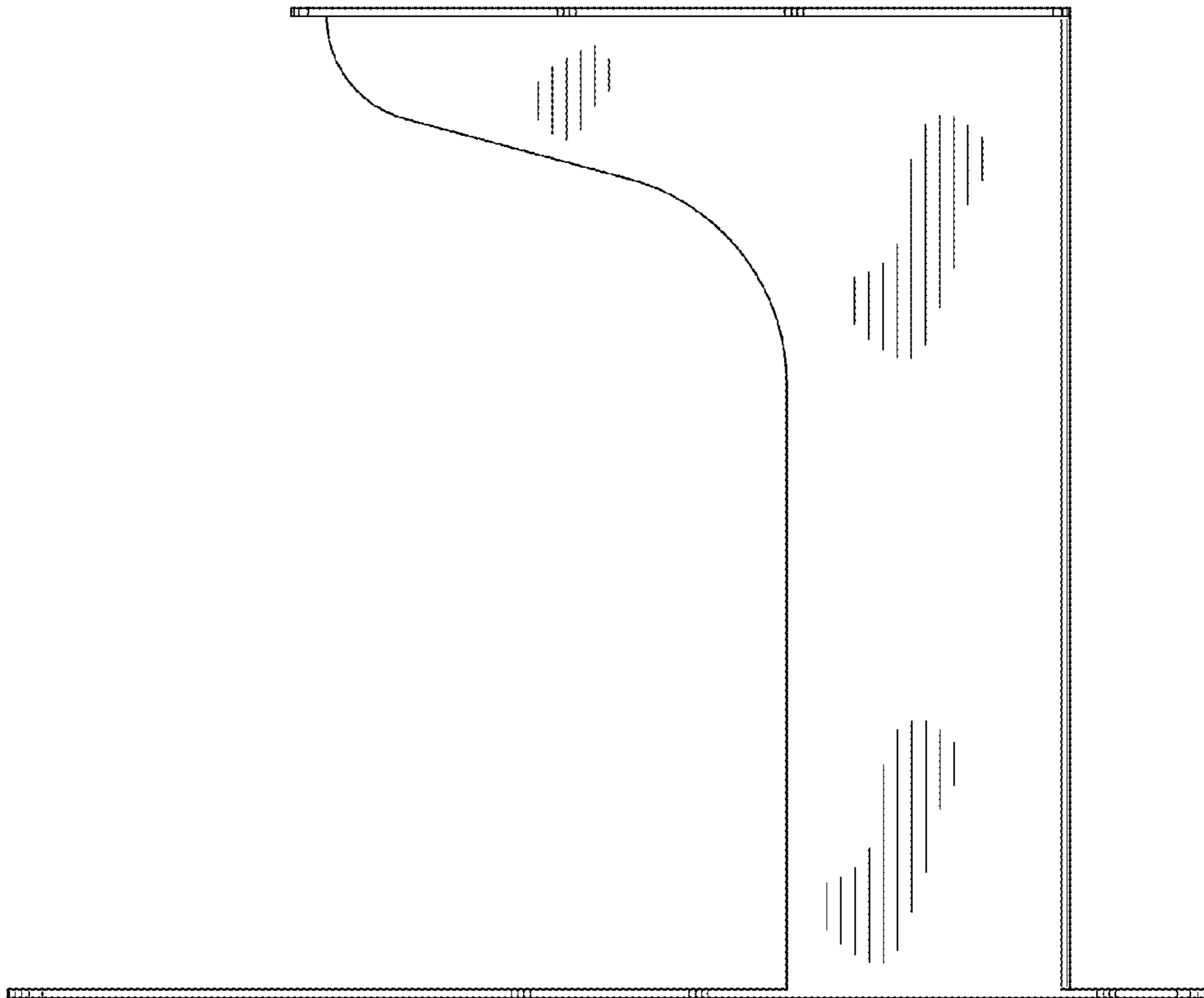
*Fig. 2*



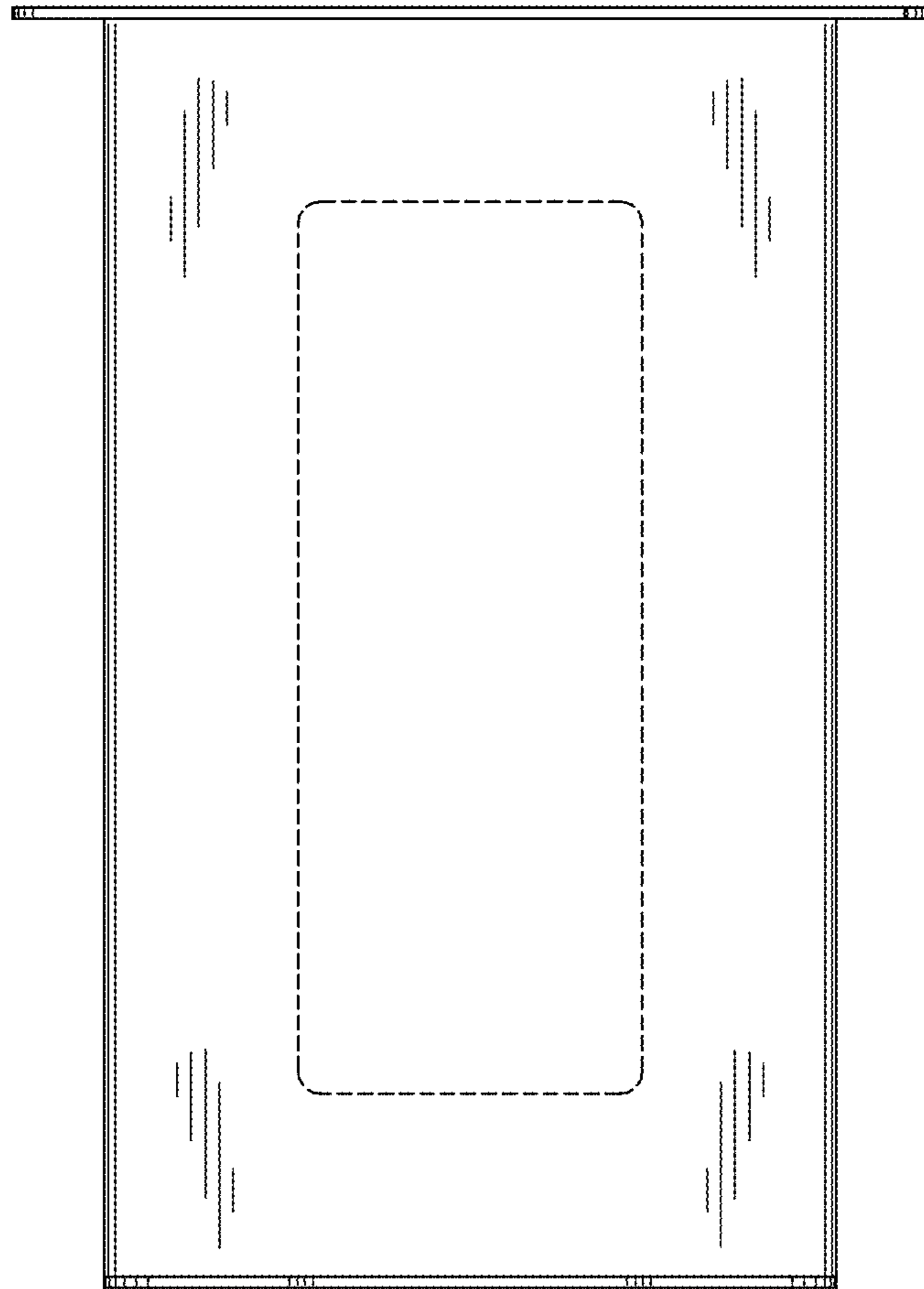
*Fig. 3*



*Fig. 4*

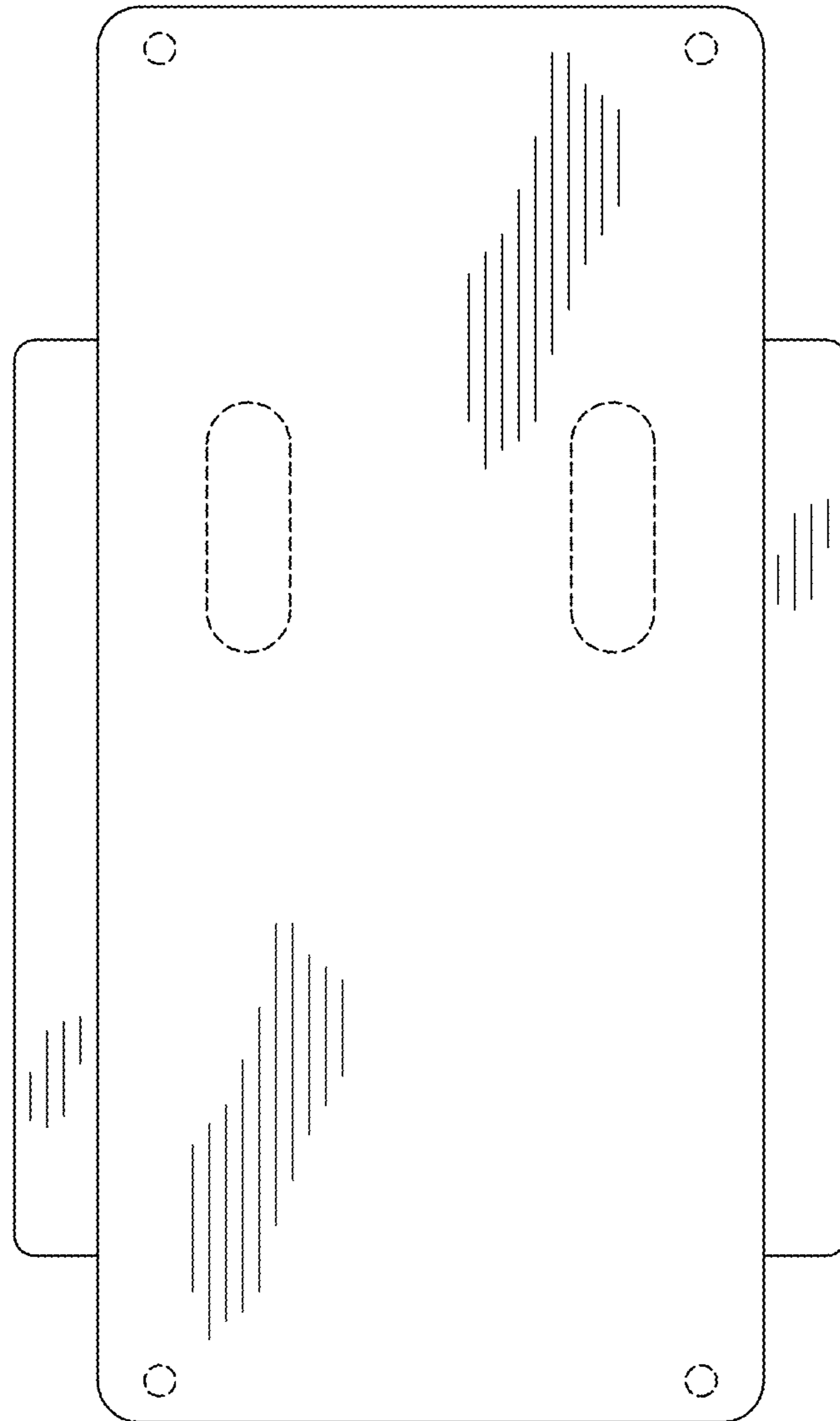


*Fig. 5*



*Fig. 6*





*Fig. 7*