



US00D717307S

(12) **United States Design Patent**
Chun

(10) **Patent No.:** **US D717,307 S**

(45) **Date of Patent:** **** Nov. 11, 2014**

(54) **VENT MOUNTED DEVICE HOLDER**

(74) *Attorney, Agent, or Firm* — Dean A. Craine

(71) Applicant: **James K. Chun**, Fremont, CA (US)

(72) Inventor: **James K. Chun**, Fremont, CA (US)

(**) Term: **14 Years**

(21) Appl. No.: **29/494,966**

(22) Filed: **Jun. 25, 2014**

(51) **LOC (10) Cl.** **08-07**

(52) **U.S. Cl.**
USPC **D14/447**

(58) **Field of Classification Search**
USPC D14/447, 432, 434, 439, 440, 451, 452,
D14/239, 251, 253, 217, 374, 375;
D6/406.3, 406.4, 406.5; D3/218;
D12/415; 248/917-924, 445, 447, 451,
248/455, 460, 150, 188.6, 176.1;
361/679.09, 679.21, 679.22, 679.26,
361/679.3, 679.55, 679.56

See application file for complete search history.

(56) **References Cited**

U.S. PATENT DOCUMENTS

D376,805 S *	12/1996	Johansson	D14/253
D619,079 S *	7/2010	Bailo	D12/416
D684,980 S *	6/2013	Chun	D14/447
D688,670 S *	8/2013	Huang	D14/447
D690,707 S *	10/2013	Minn et al.	D14/447
D692,435 S *	10/2013	Bremenkamp	D14/447
D692,897 S *	11/2013	Luijben	D14/447
D696,672 S *	12/2013	Brittain et al.	D14/447
D697,920 S *	1/2014	Fujioka	D14/447
D700,185 S *	2/2014	Fujioka	D14/447
D704,201 S *	5/2014	Shubin, Sr.	D14/447
D706,785 S *	6/2014	Brittain et al.	D14/447
2014/0153182 A1 *	6/2014	North et al.	361/679.41

* cited by examiner

Primary Examiner — Angela J Lee

(57) **CLAIM**

The ornamental design for a vent mounted device holder, as shown and described.

DESCRIPTION

FIG. 1 is a front side perspective view of a vent mounted device holder shown with the two clamping arms rotated in a vertical alignment.

FIG. 2 is an elevated, front perspective view of the vent mounted device holder.

FIG. 3 is a right side elevational view of the vent mounted device holder shown in FIGS. 1 and 2.

FIG. 4 is a top plan view of the vent mounted device holder shown in FIGS. 1 and 2.

FIG. 5 is a bottom plan view of the vent mounted device holder shown in FIGS. 1 and 2.

FIG. 6 is a left side elevational view of the vent mounted device holder shown in FIGS. 1 and 2.

FIG. 7 is a rear elevational view of the vent mounted device holder shown in FIGS. 1 and 2.

FIG. 8 is a front elevational view of the vent mounted device holder shown in FIGS. 1 and 2.

FIG. 9 is a top plan view of the vent mounted device holder showing an alternate position with the clamp arms extended and in a horizontal alignment.

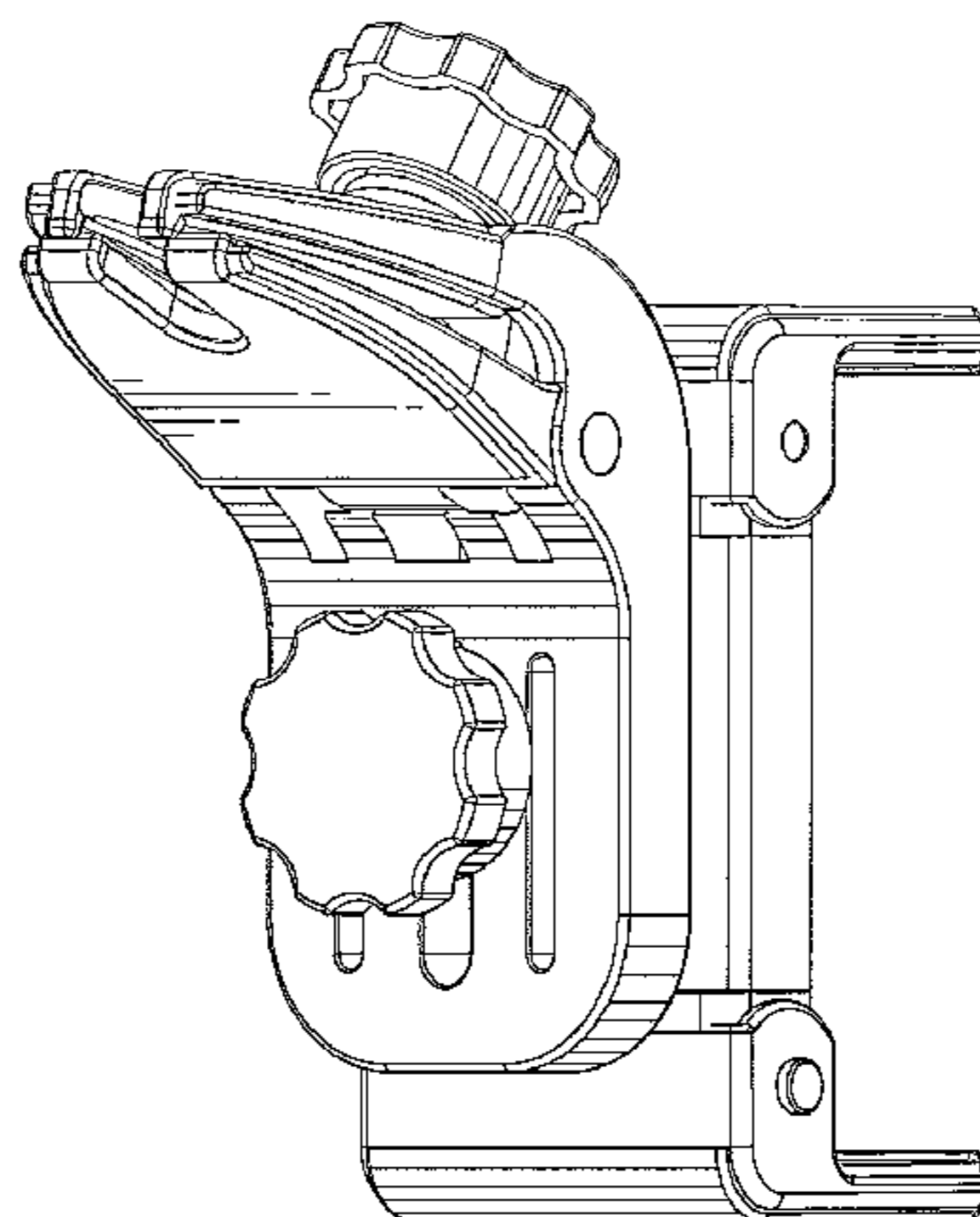
FIG. 10 is a right side elevational view of the vent mounted device holder shown in FIG. 9.

FIG. 11 is a front elevational view of the vent mounted device holder shown in FIGS. 9 and 10.

FIG. 12 is a top plan view of the vent mounted device holder showing the clamp arms in a retracted position and horizontal alignment; and,

FIG. 13 is a side elevational view of the vent mounted device holder shown in FIG. 12.

1 Claim, 5 Drawing Sheets



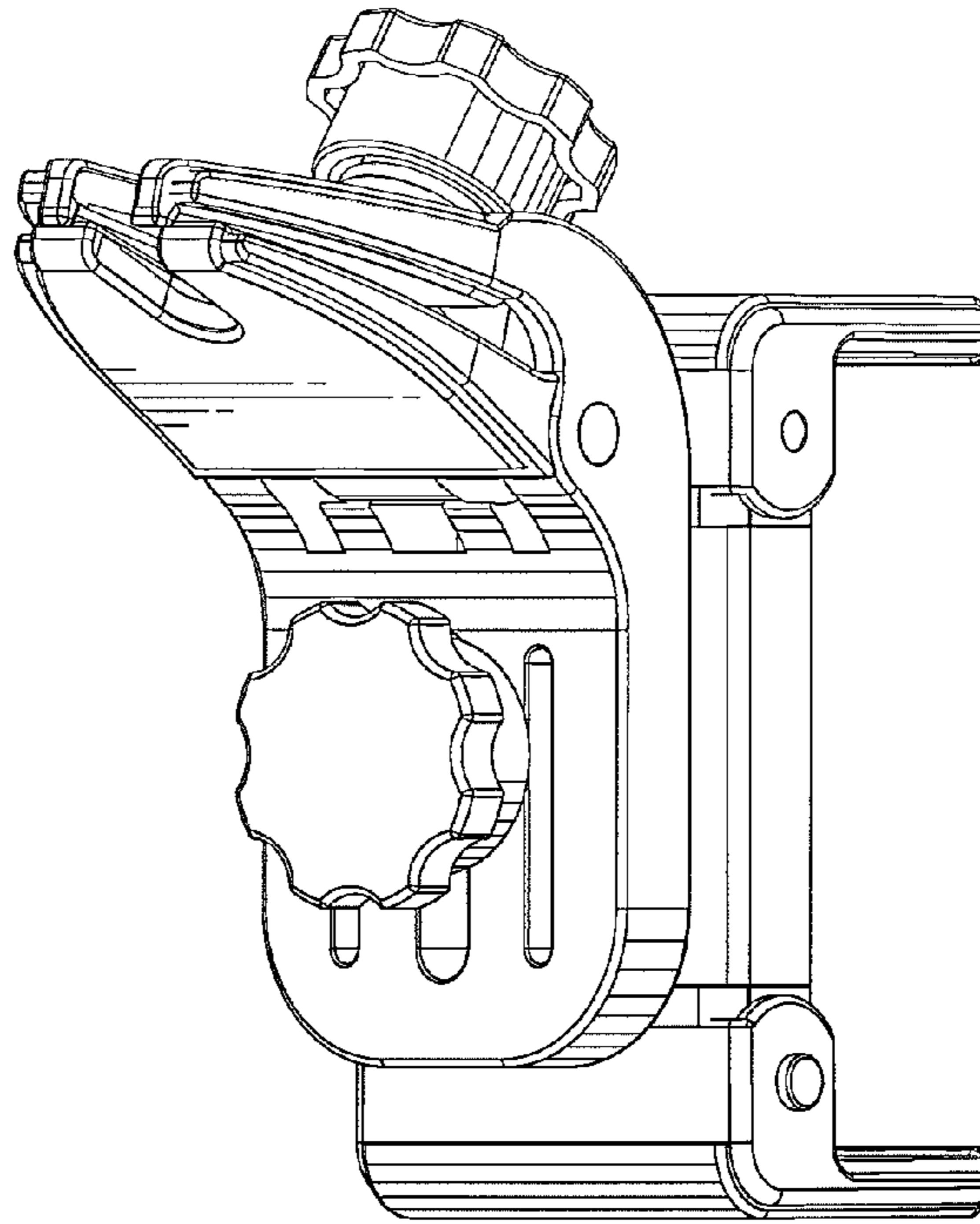


Fig. 1

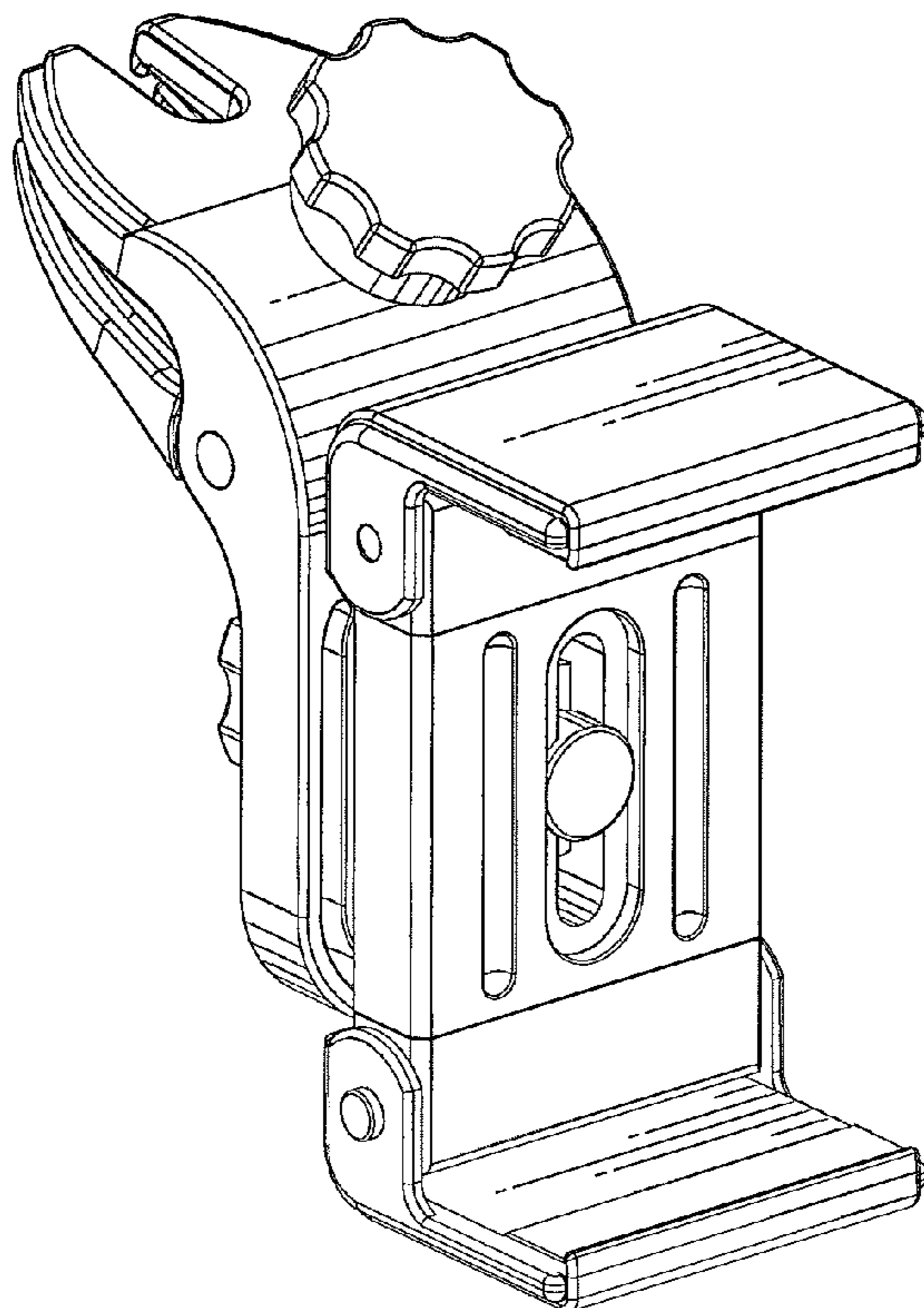


Fig. 2

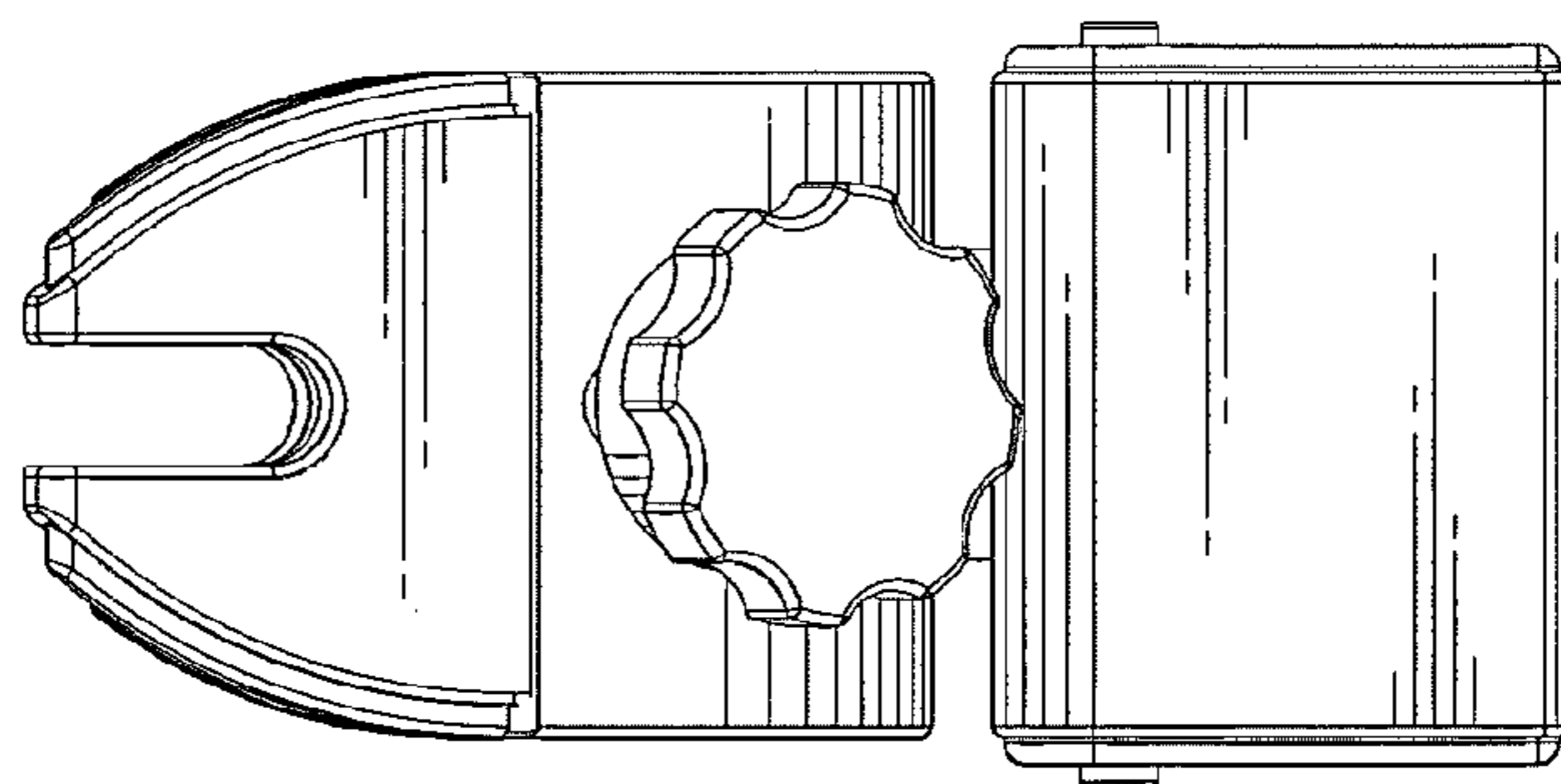


Fig. 4

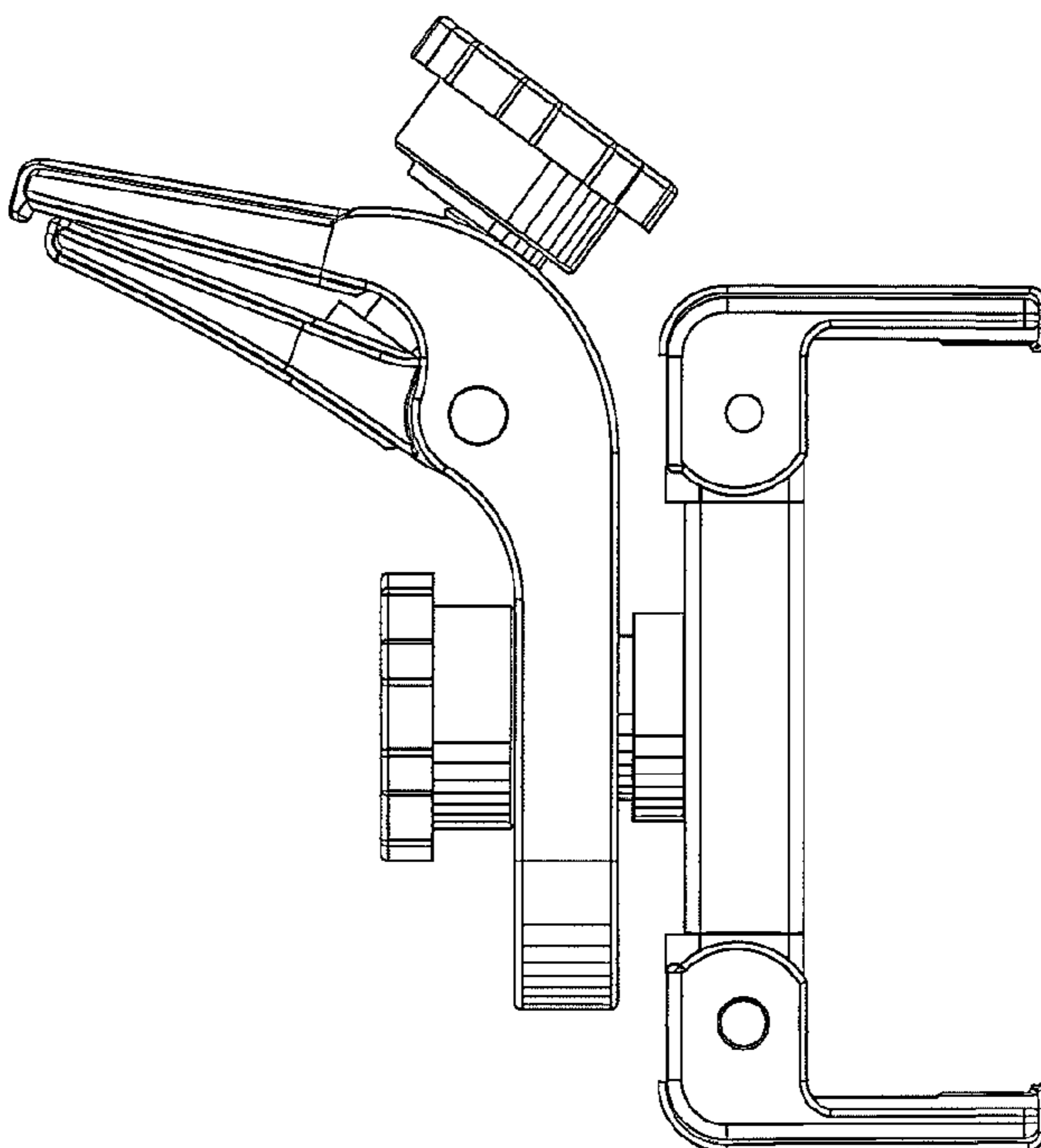


Fig. 3

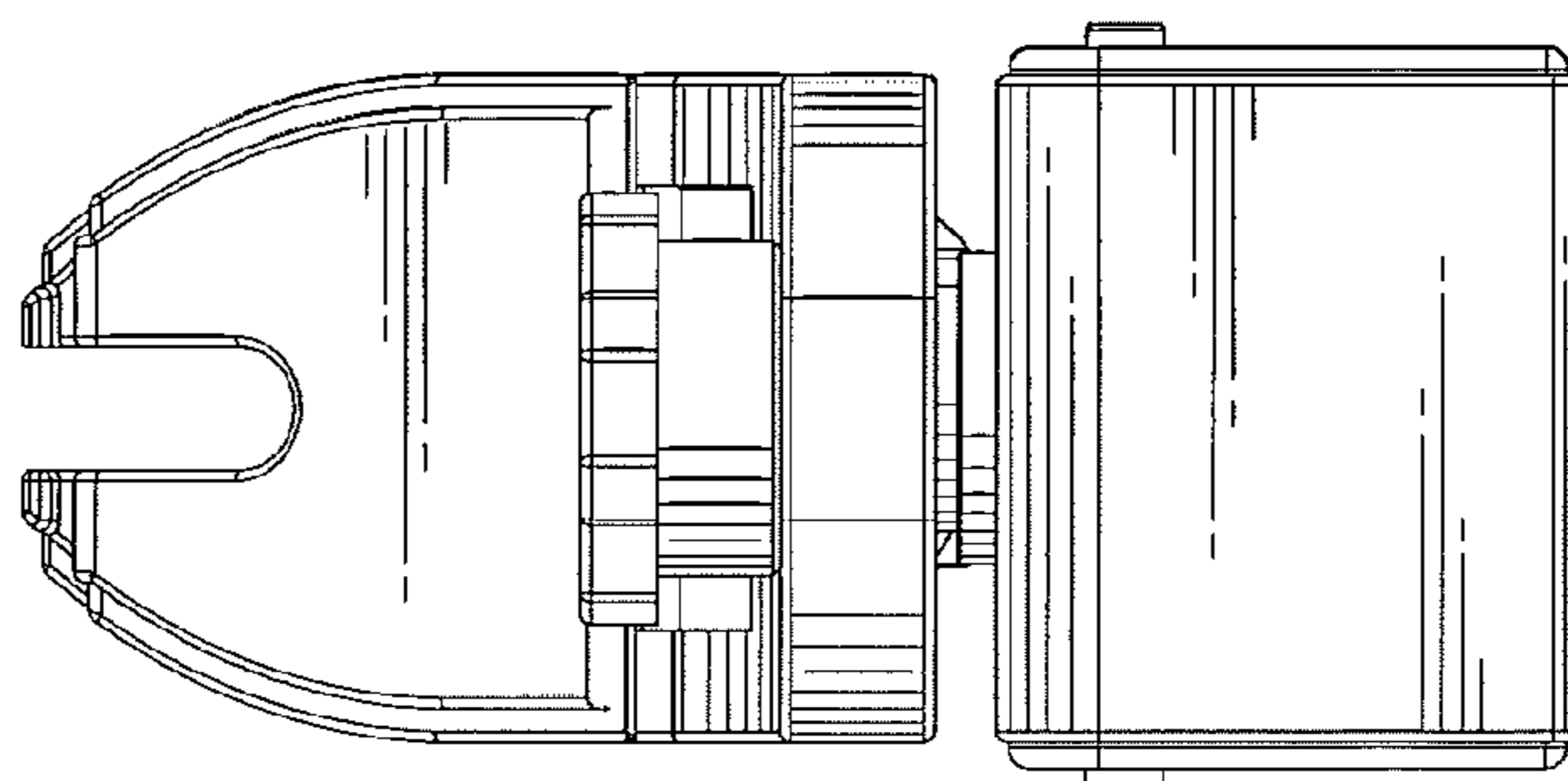


Fig. 5

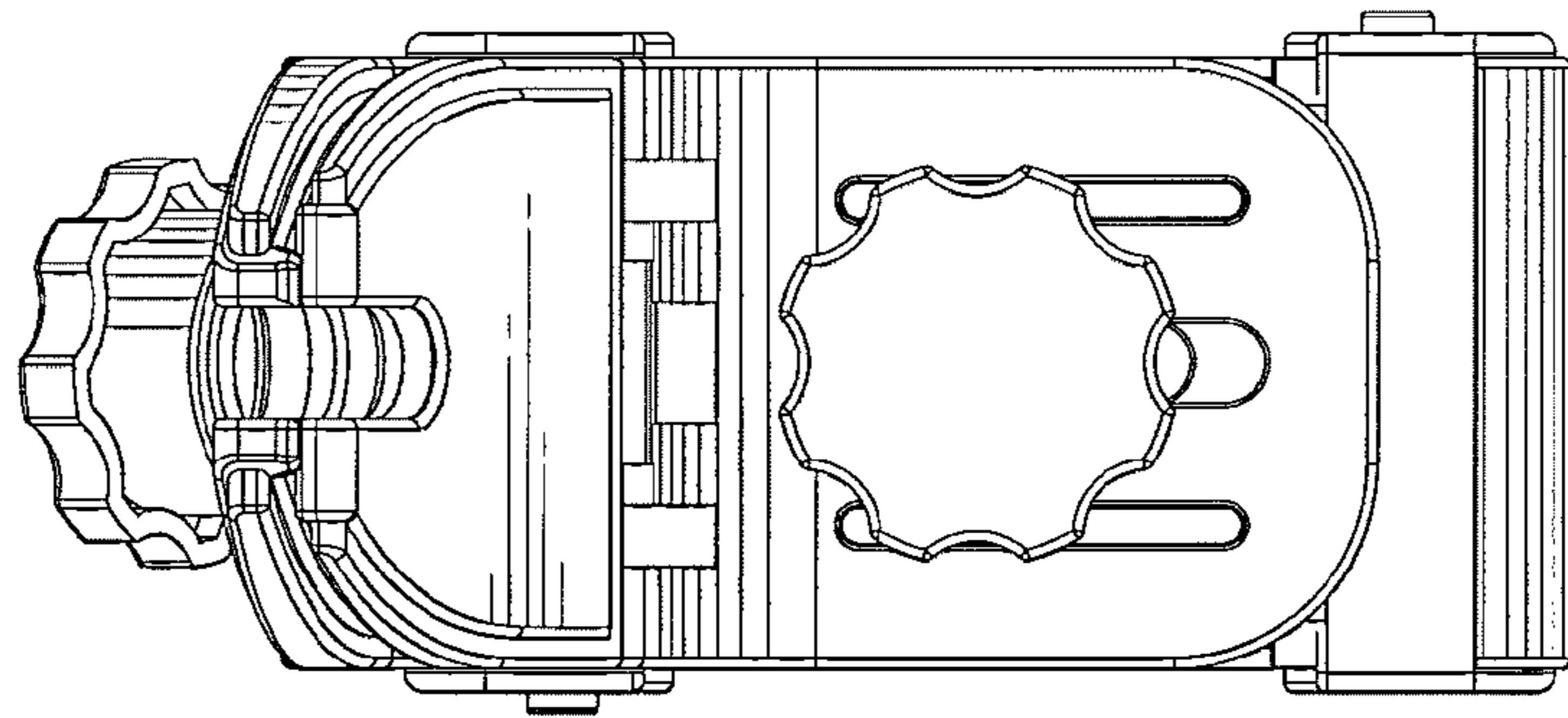


Fig. 8

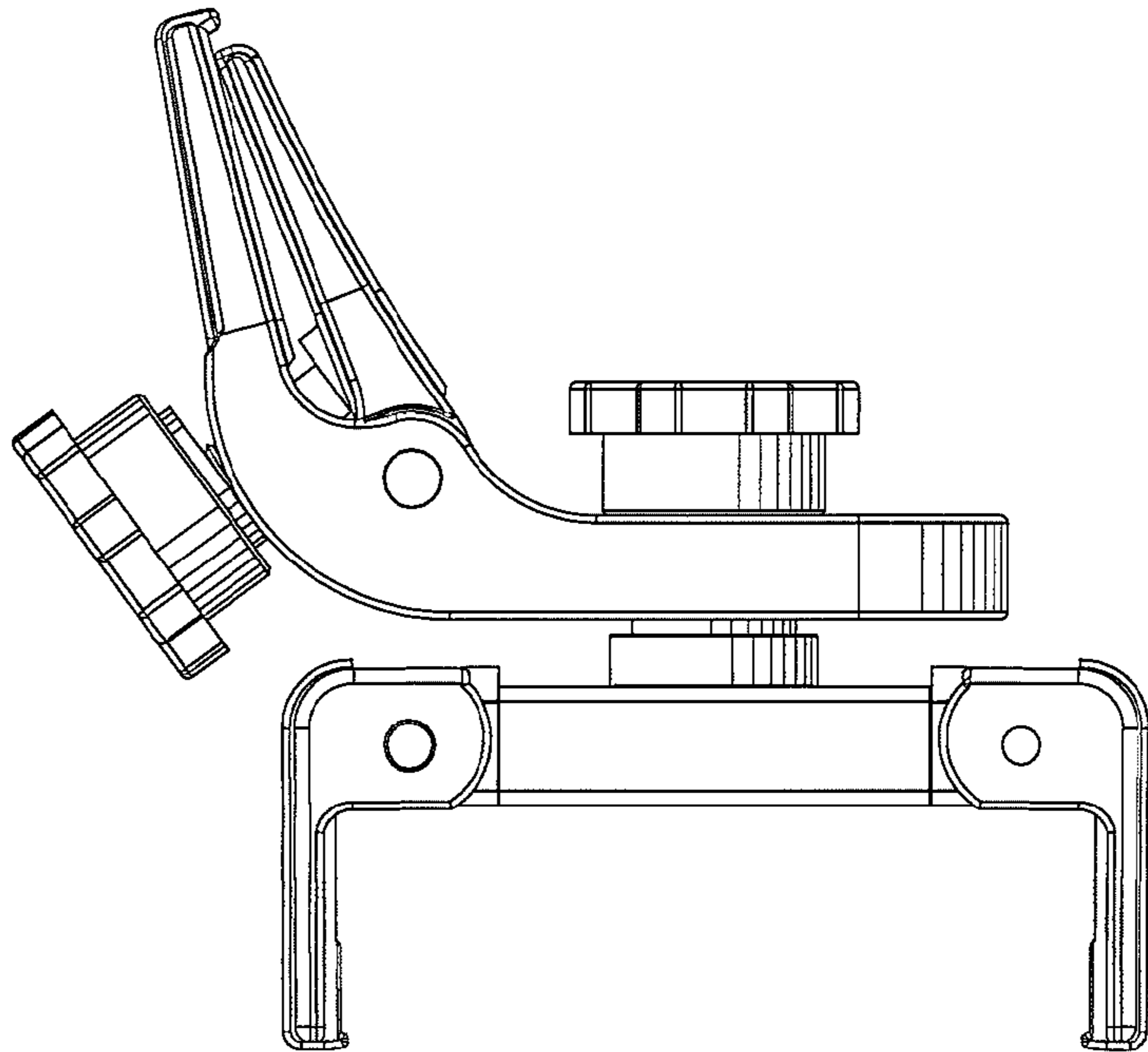


Fig. 6

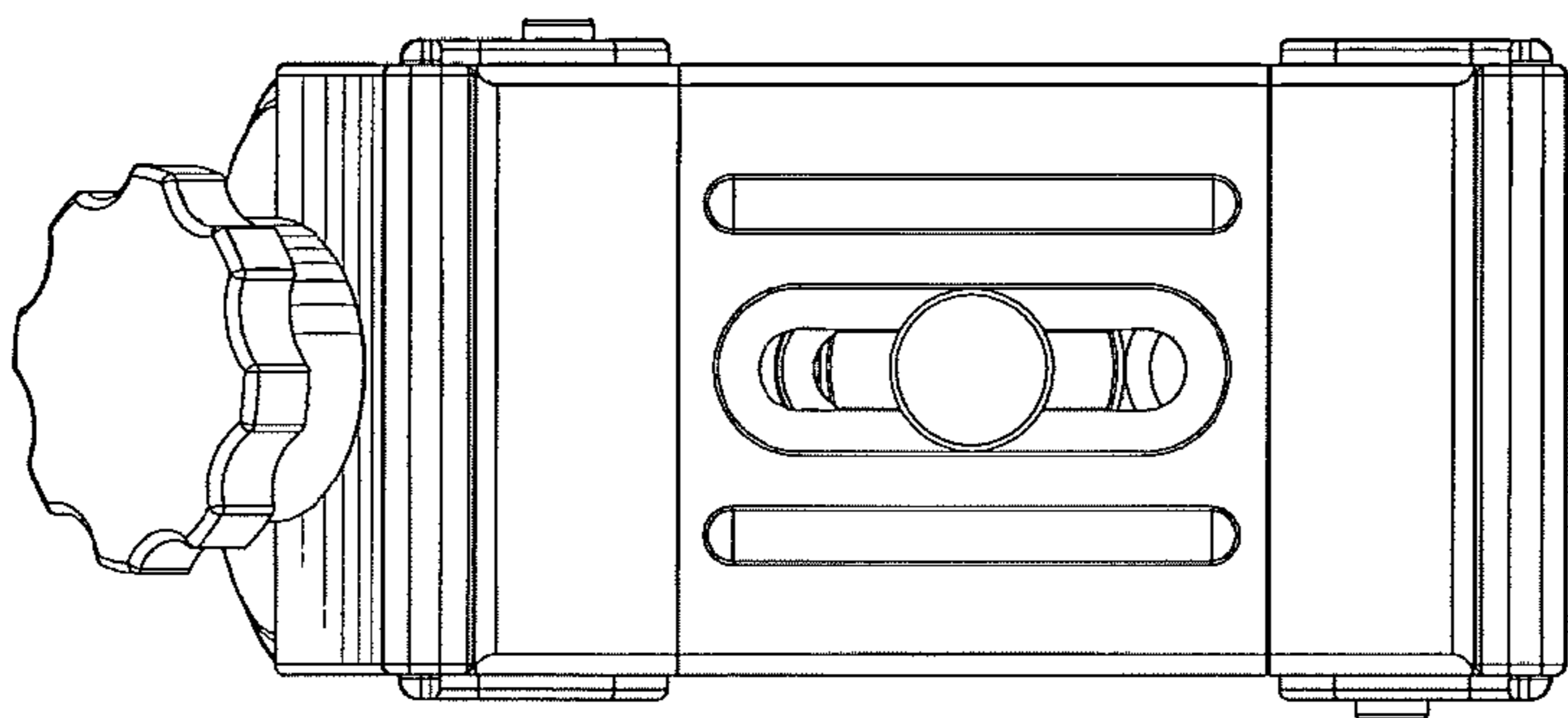


Fig. 7

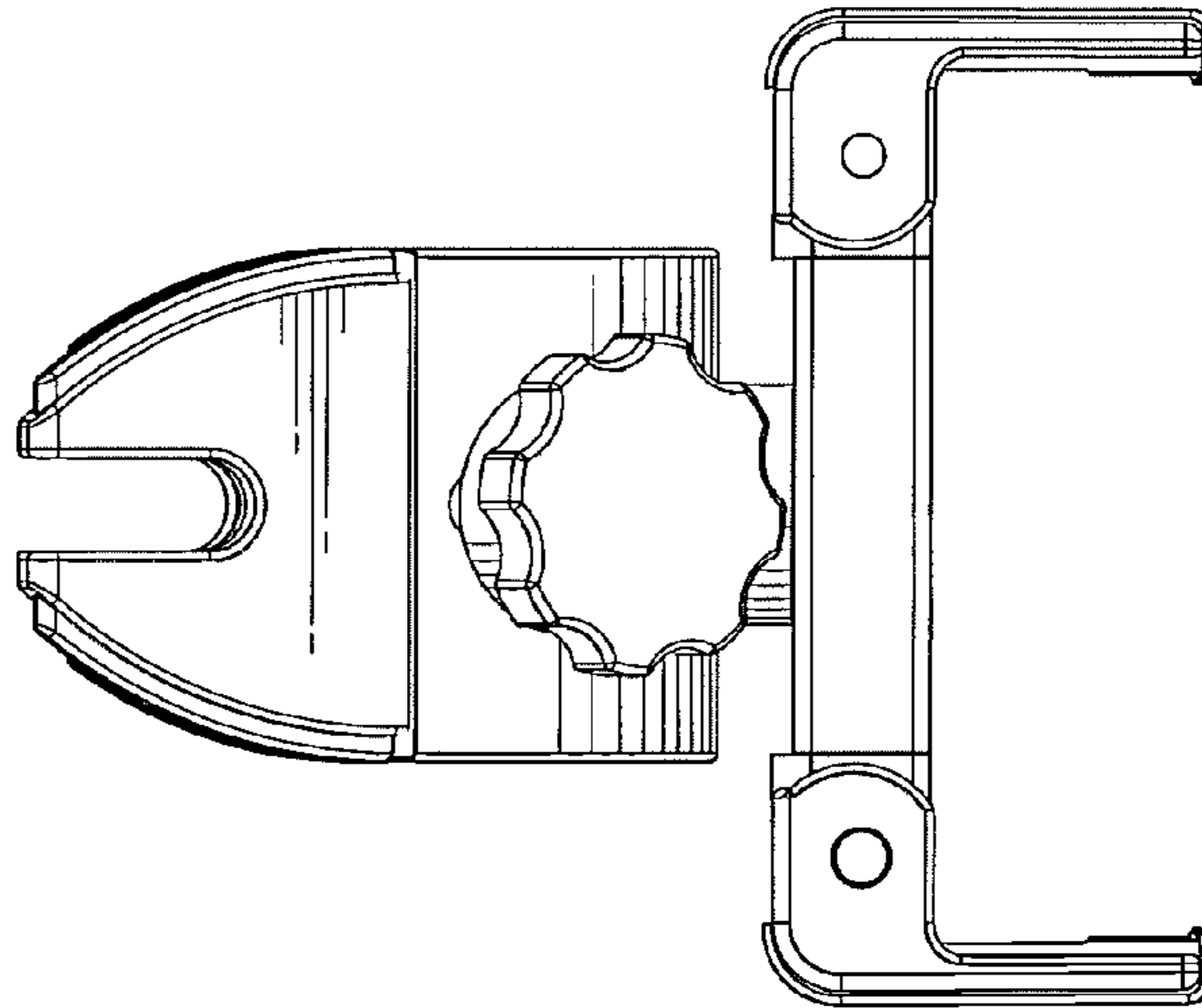


Fig. 9

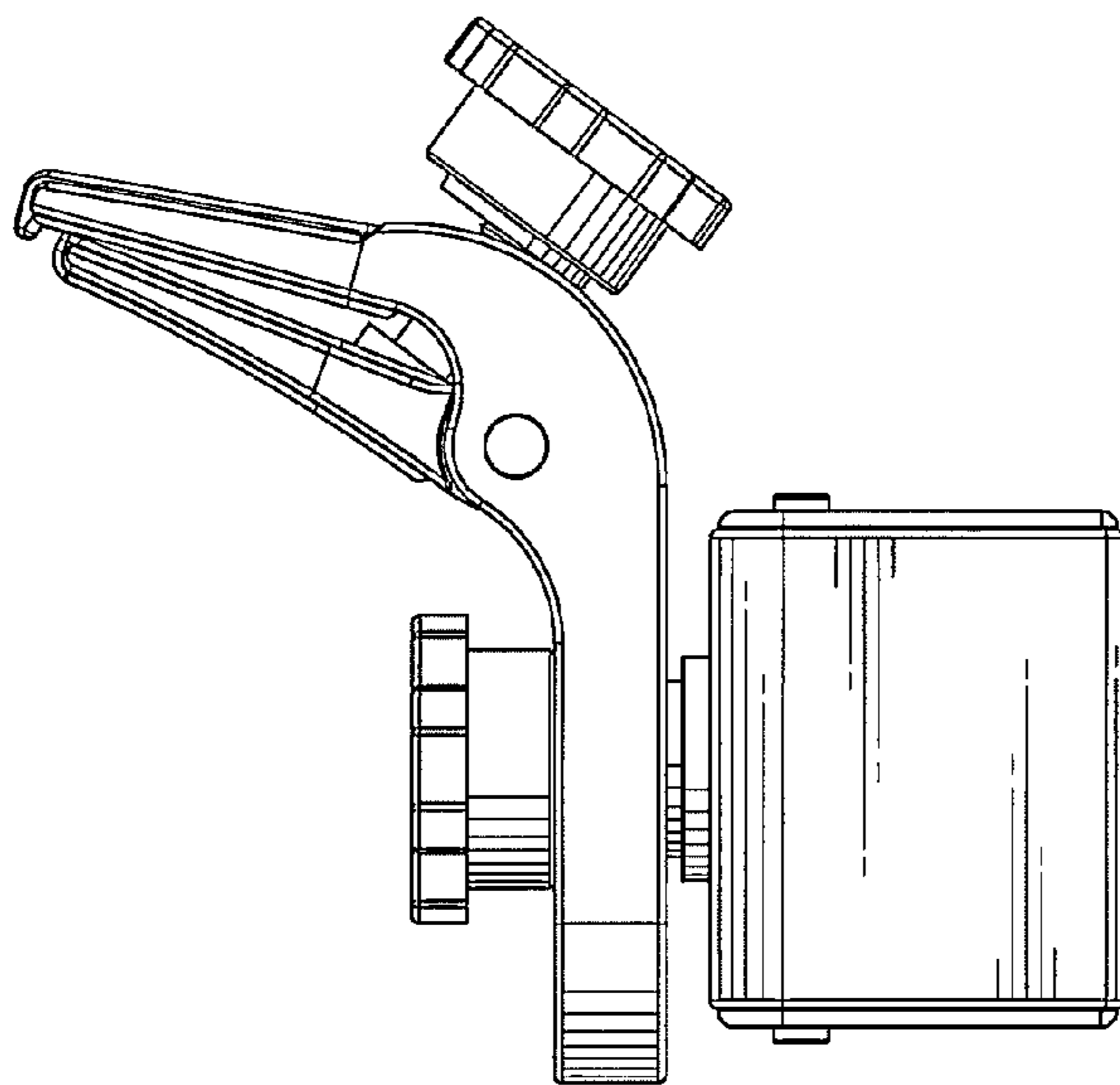


Fig. 10

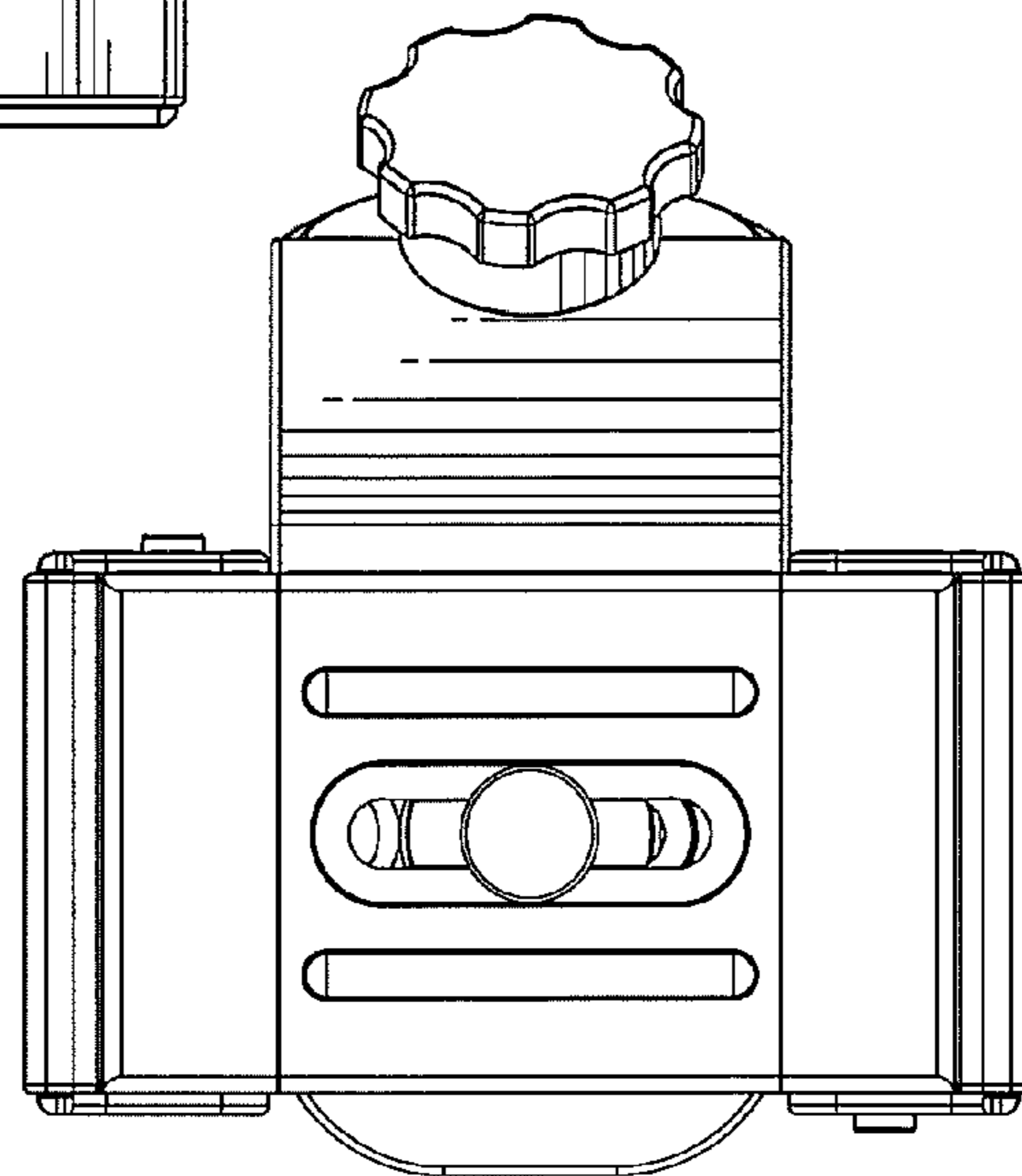


Fig. 11

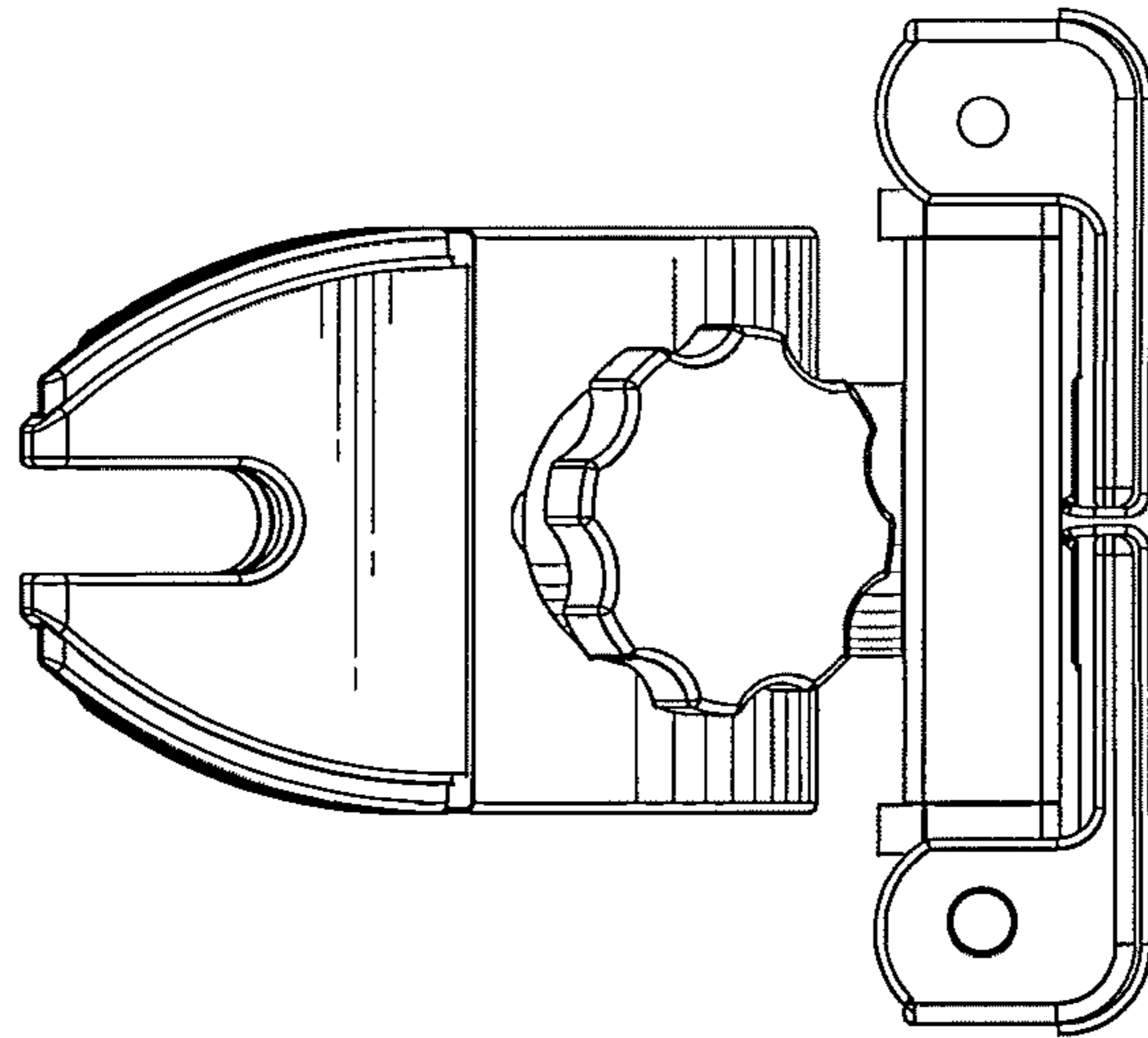


Fig. 12

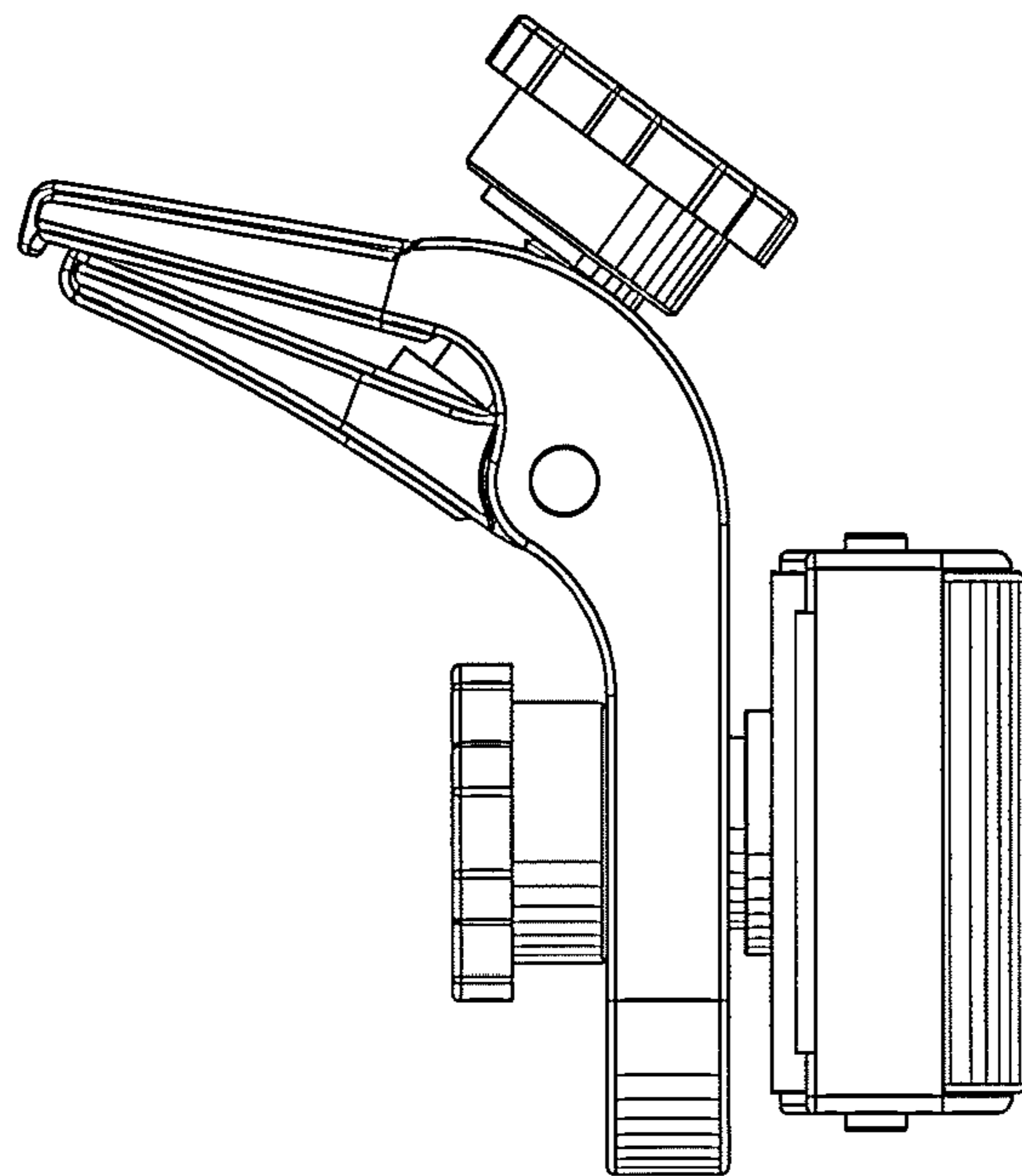


Fig. 13