



US00D717306S

(12) **United States Design Patent**
Clouser

(10) **Patent No.:** **US D717,306 S**

(45) **Date of Patent:** **** Nov. 11, 2014**

(54) **STAND FOR A PORTABLE ELECTRONIC DEVICE**

(71) Applicant: **Doug Clouser**, Marysville, OH (US)

(72) Inventor: **Doug Clouser**, Marysville, OH (US)

(**) Term: **14 Years**

(21) Appl. No.: **29/489,738**

(22) Filed: **May 2, 2014**

(51) **LOC (10) Cl.** **08-07**

(52) **U.S. Cl.**
USPC **D14/447**

(58) **Field of Classification Search**
USPC D14/447, 432, 434, 439, 440, 451, 452,
D14/239, 251, 253, 217; D6/406.3, 406.4,
D6/406.5; D3/218; D12/415;
248/917-924, 445, 447, 451, 455, 460,
248/150, 188.6, 176.1; 361/679.09, 679.21,
361/679.22, 679.26, 679.3, 679.55, 679.56
See application file for complete search history.

(56) **References Cited**

U.S. PATENT DOCUMENTS

D413,110	S	*	8/1999	Sweere et al.	D14/447
D667,012	S	*	9/2012	Chen et al.	D14/447
D676,037	S	*	2/2013	Schupsky	D14/253
D676,053	S	*	2/2013	Izen et al.	D14/447

D676,054	S	*	2/2013	Izen et al.	D14/447
D683,141	S	*	5/2013	Symons	D6/310
D688,235	S	*	8/2013	Song	D14/253
D688,670	S	*	8/2013	Huang	D14/447
D689,478	S	*	9/2013	Wikel et al.	D14/253
D692,010	S	*	10/2013	Verghese	D14/447
D697,920	S	*	1/2014	Fujioka	D14/447
D703,673	S	*	4/2014	Kittlaus	D14/447
2014/0153182	A1	*	6/2014	North et al.	361/679.41

* cited by examiner

Primary Examiner — Angela J Lee

(74) *Attorney, Agent, or Firm* — Porter, Wright, Morris & Arthur, LLP

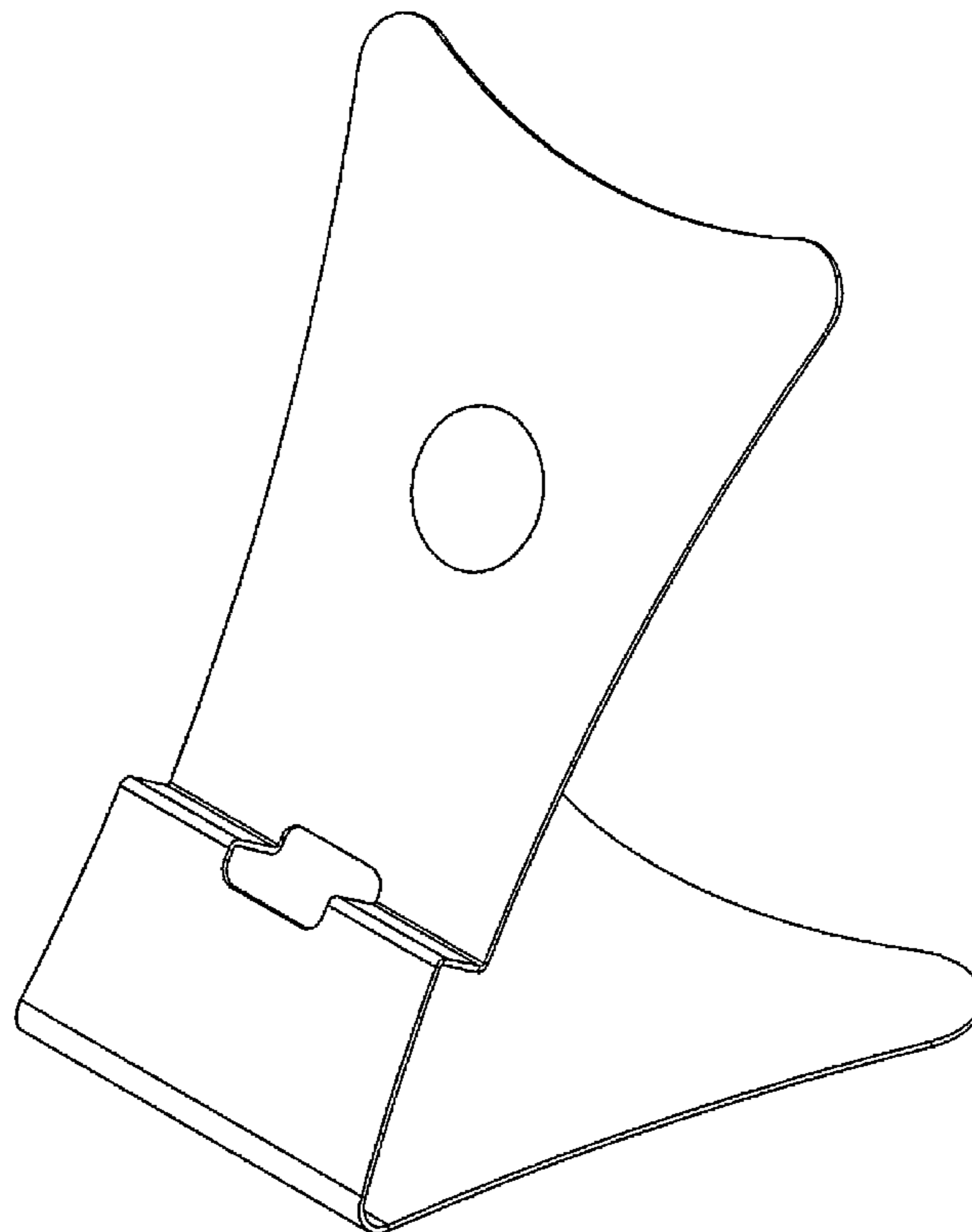
(57) **CLAIM**

The ornamental design for a stand for a portable electronic device, as shown and described.

DESCRIPTION

FIG. 1 is a top-front perspective view of a stand for a portable electronic device according to my new design;
FIG. 2 is a top-rear perspective view thereof;
FIG. 3 is a bottom-rear perspective view thereof;
FIG. 4 is a bottom-front perspective view thereof;
FIG. 5 is a top view thereof;
FIG. 6 is a front view thereof;
FIG. 7 is a left side view thereof, the right side view being a mirror image thereof;
FIG. 8 is a rear view thereof; and,
FIG. 9 is a bottom view thereof.

1 Claim, 7 Drawing Sheets



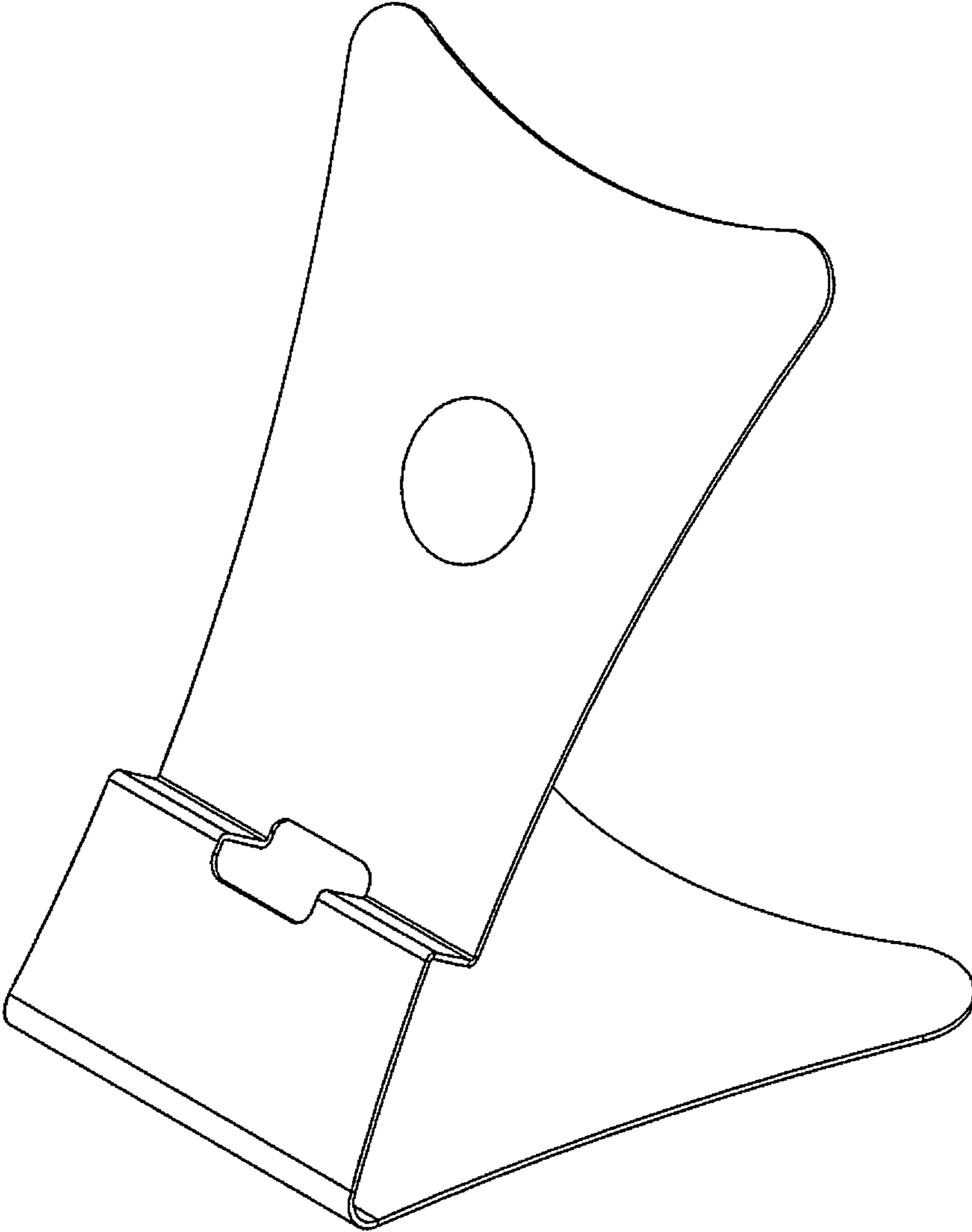


FIG. 1

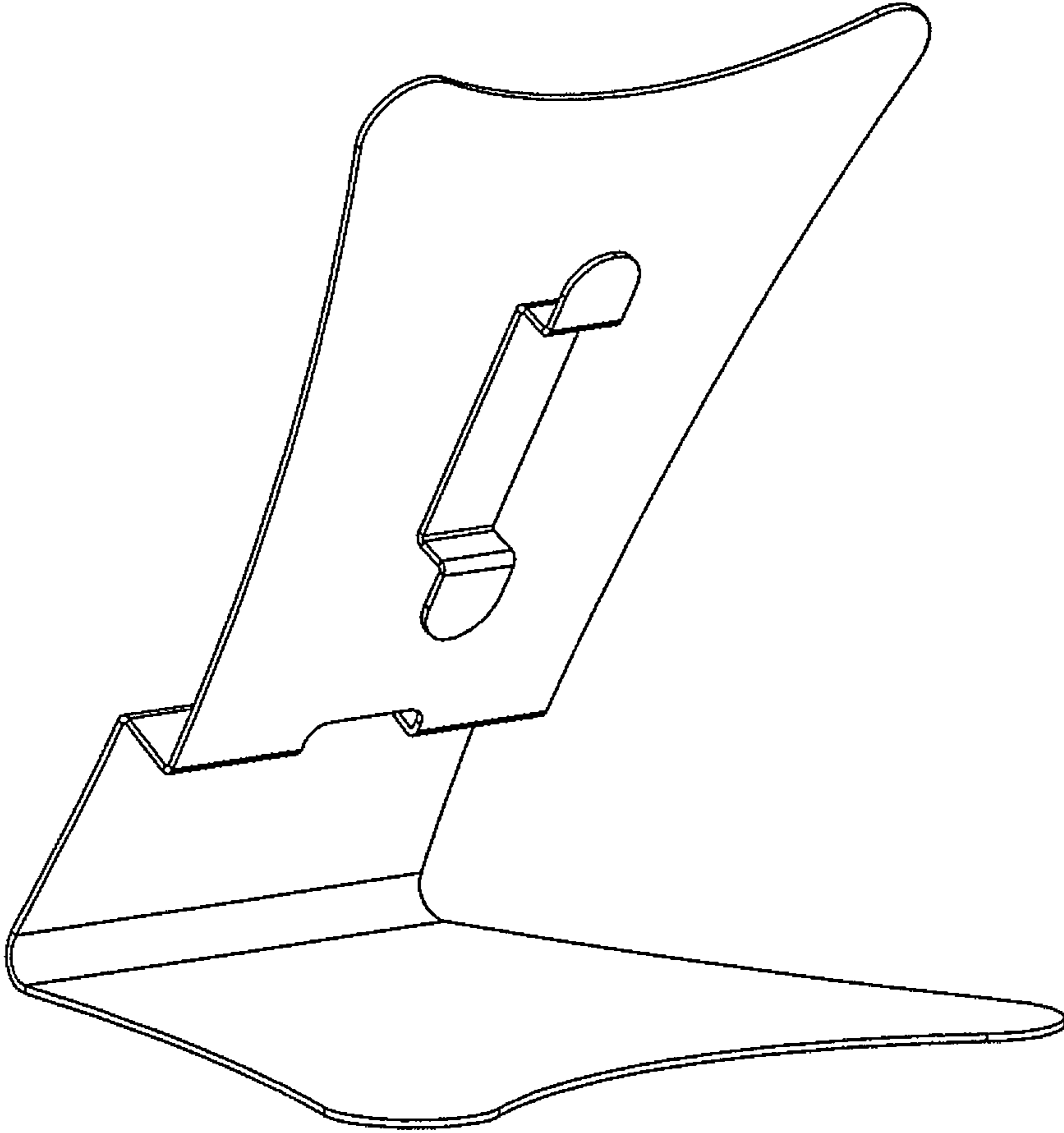


FIG. 2

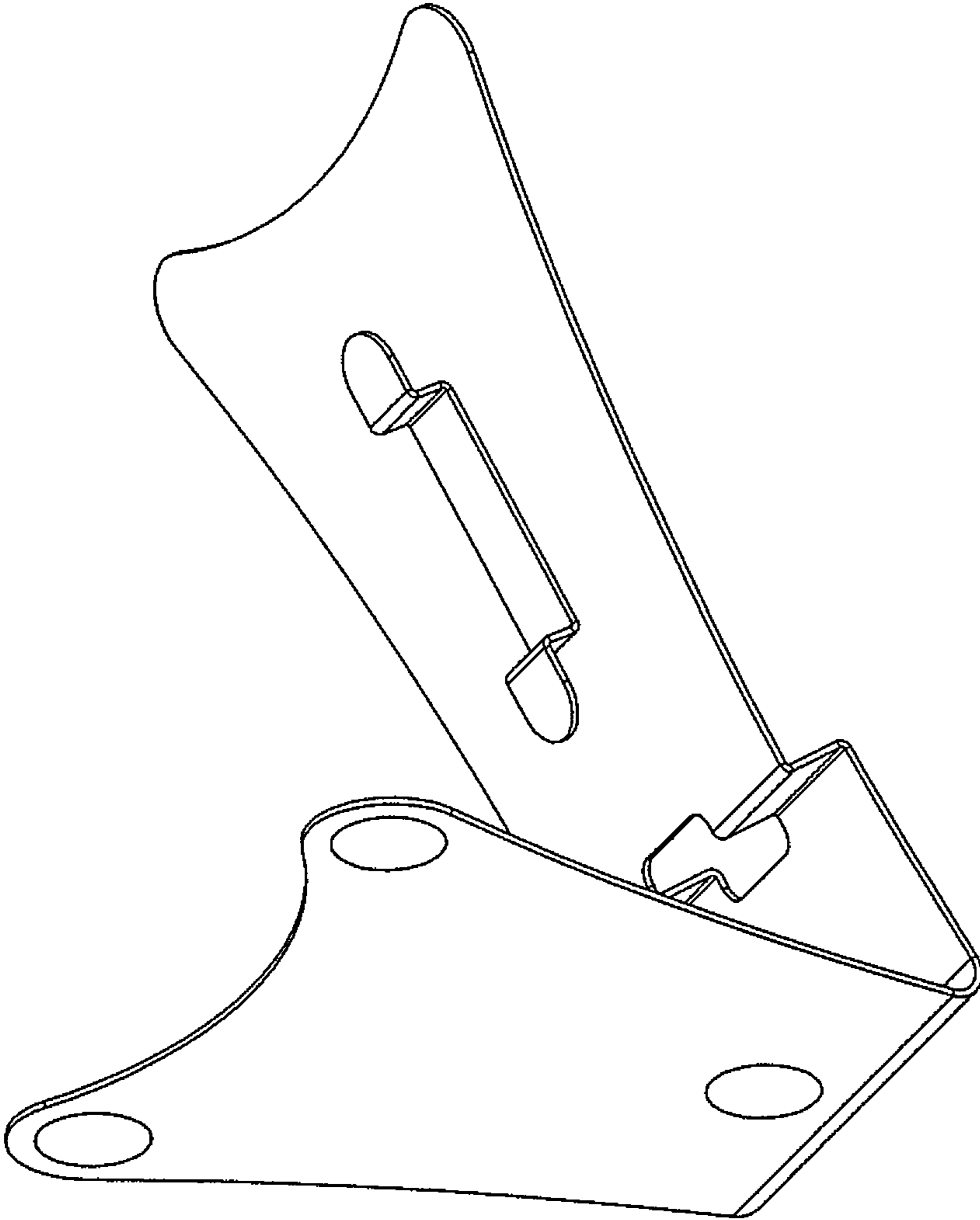


FIG. 3

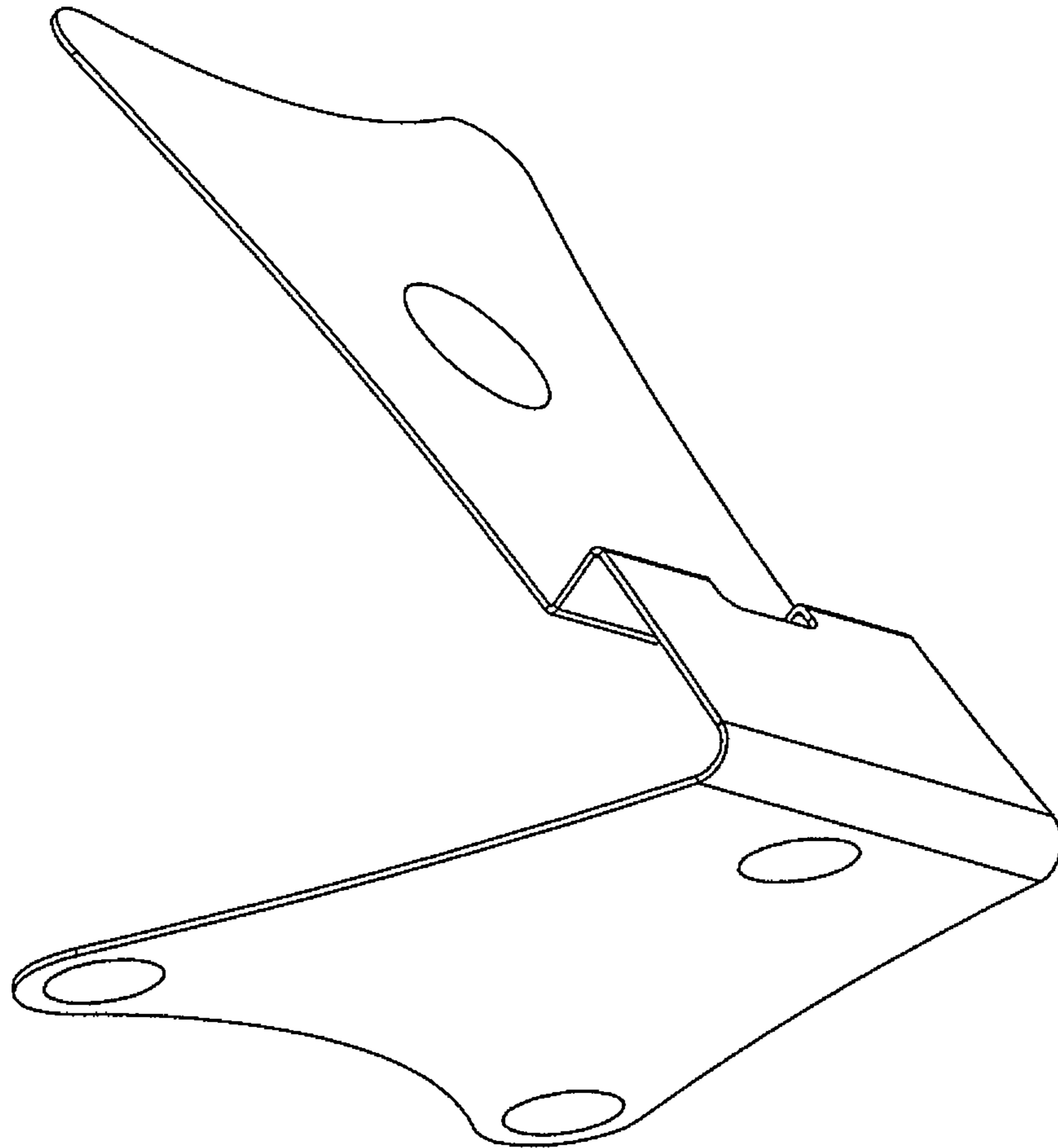


FIG. 4

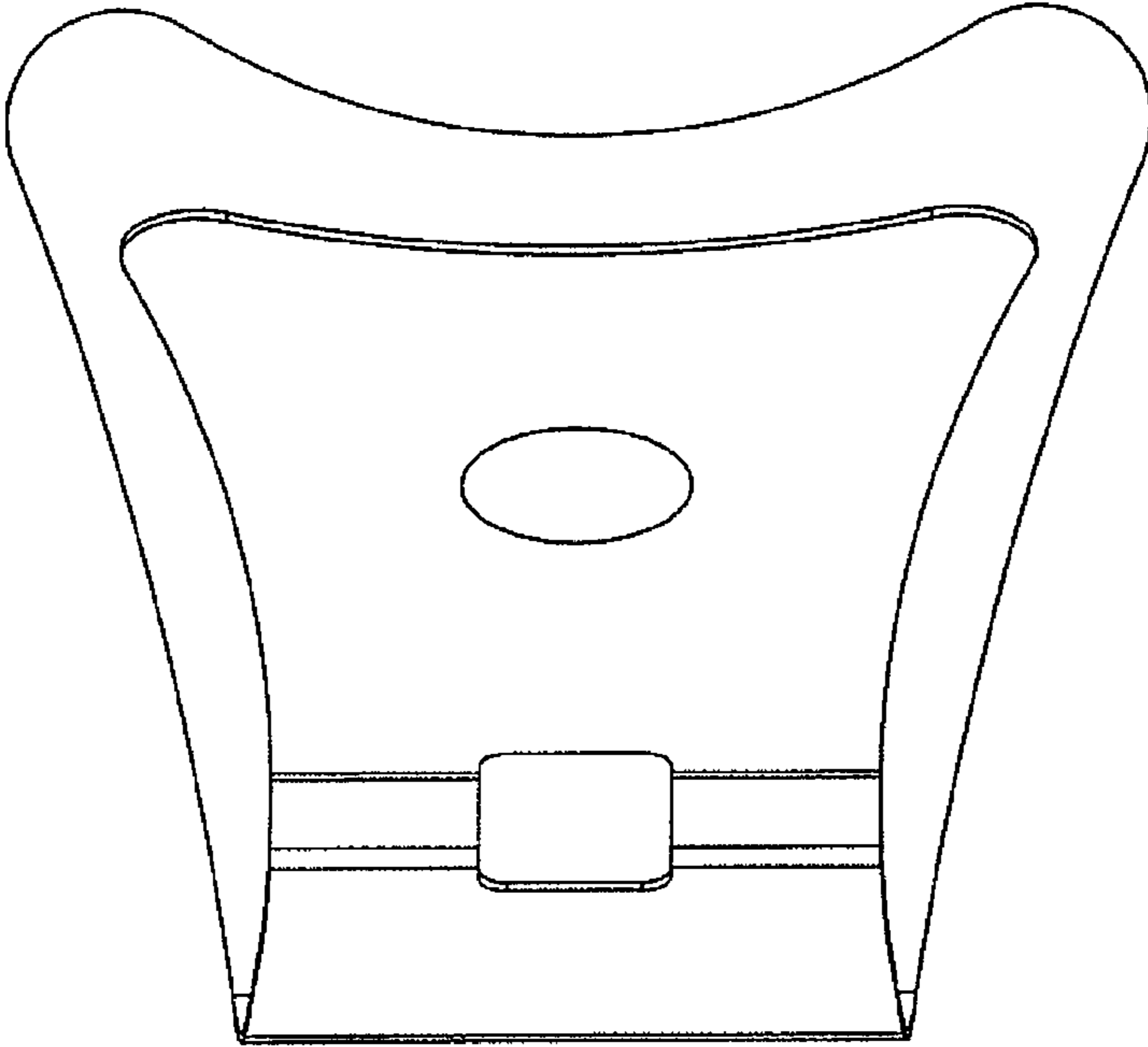


FIG. 5

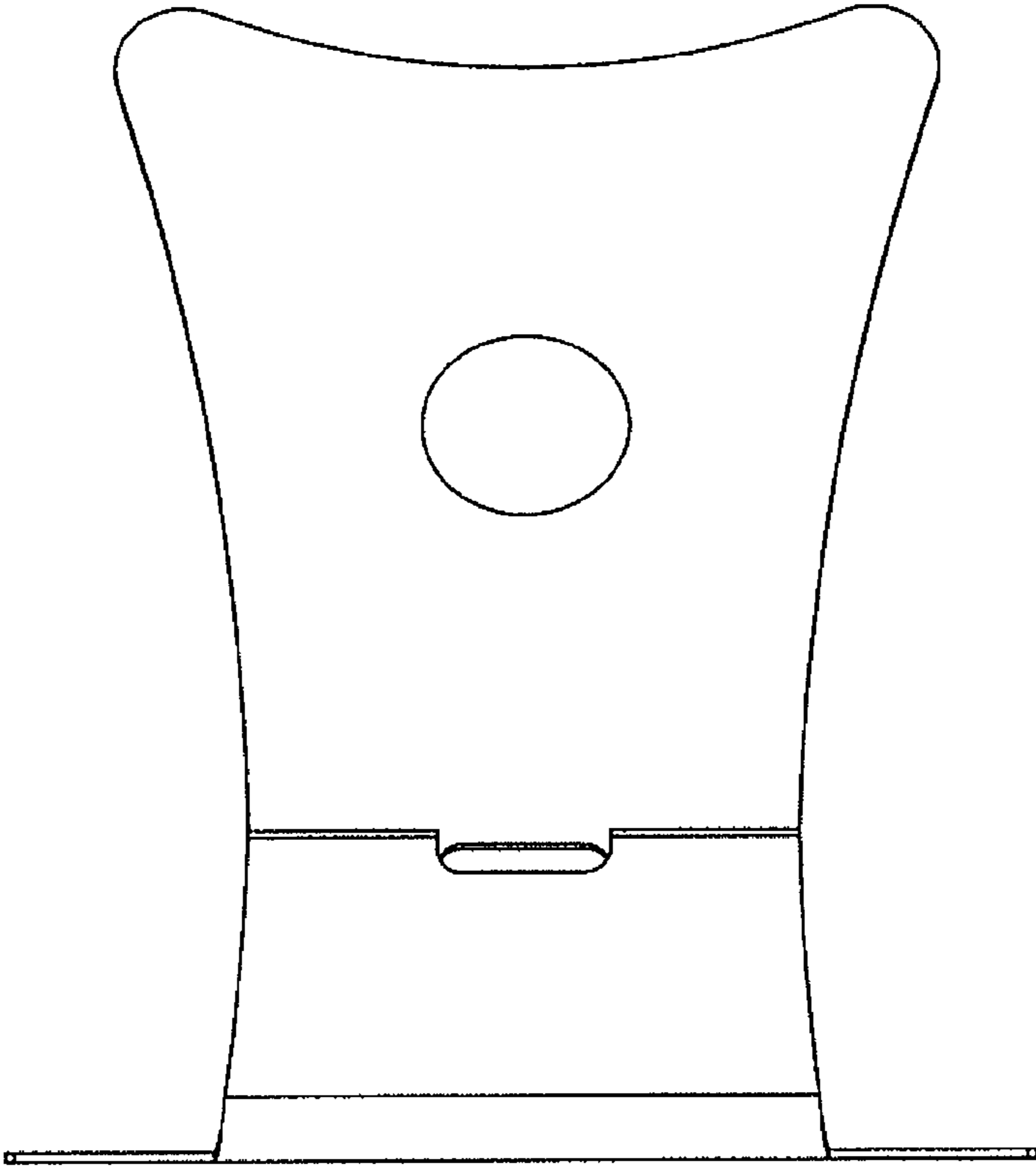


FIG. 6

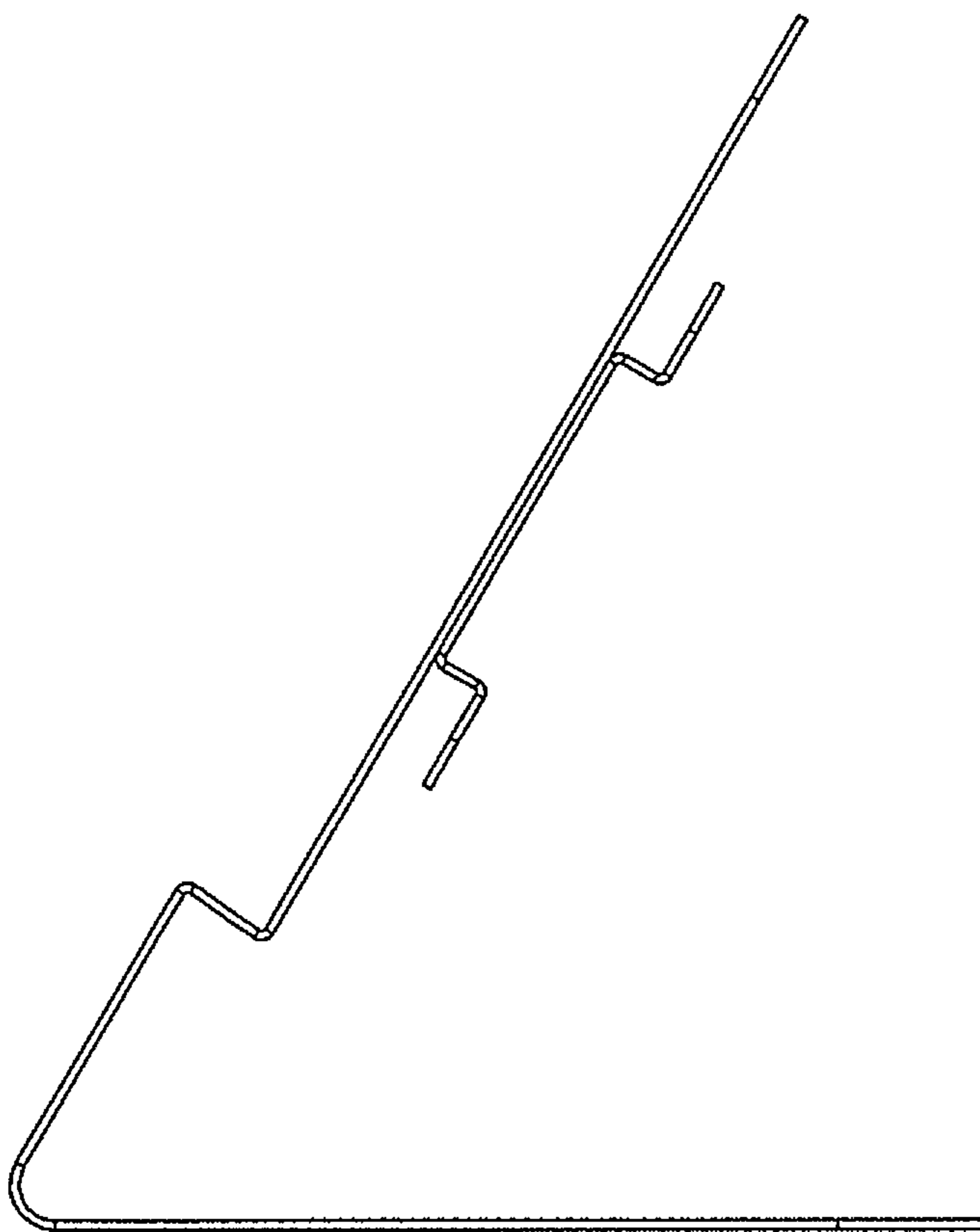


FIG. 7

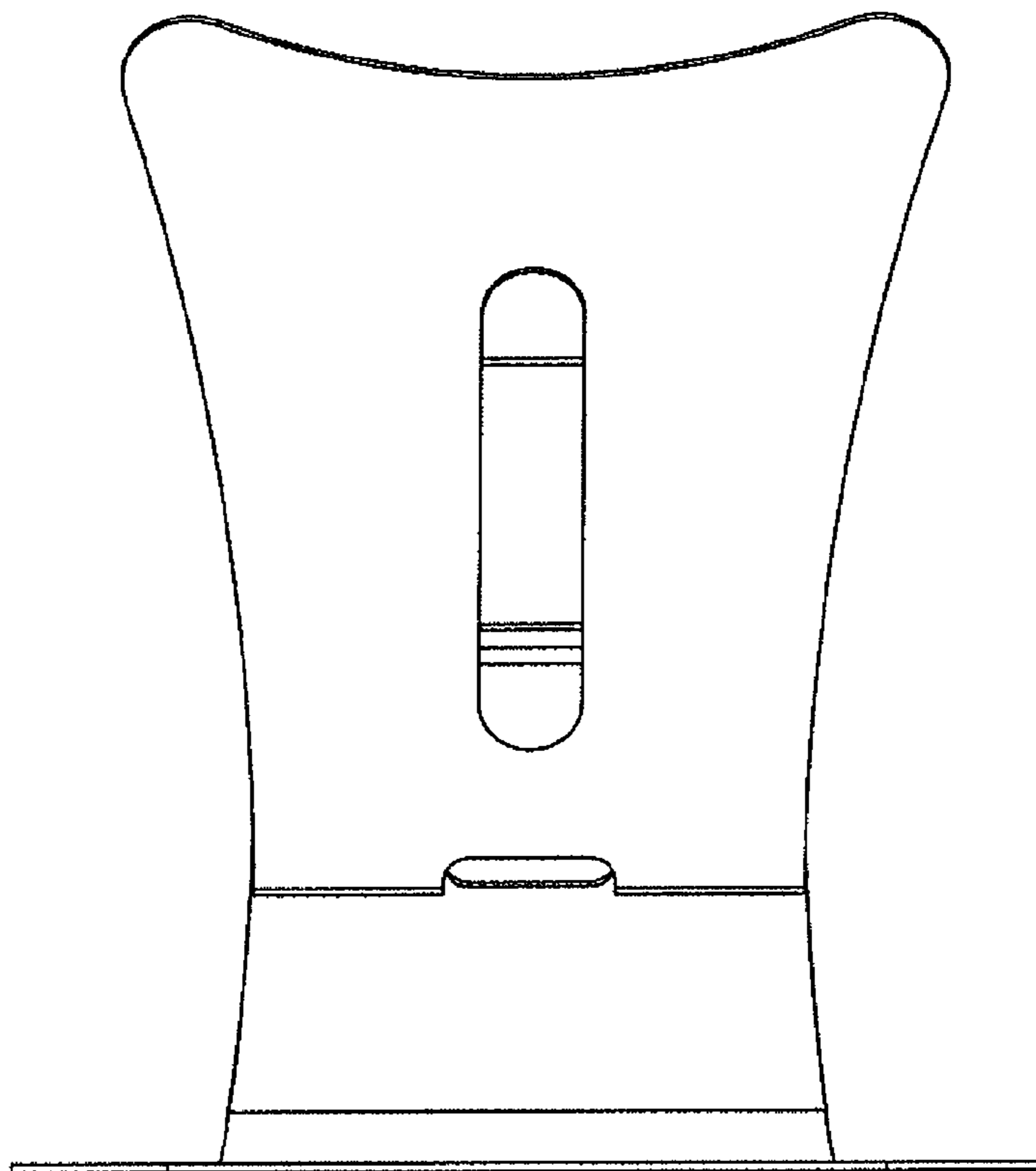


FIG. 8

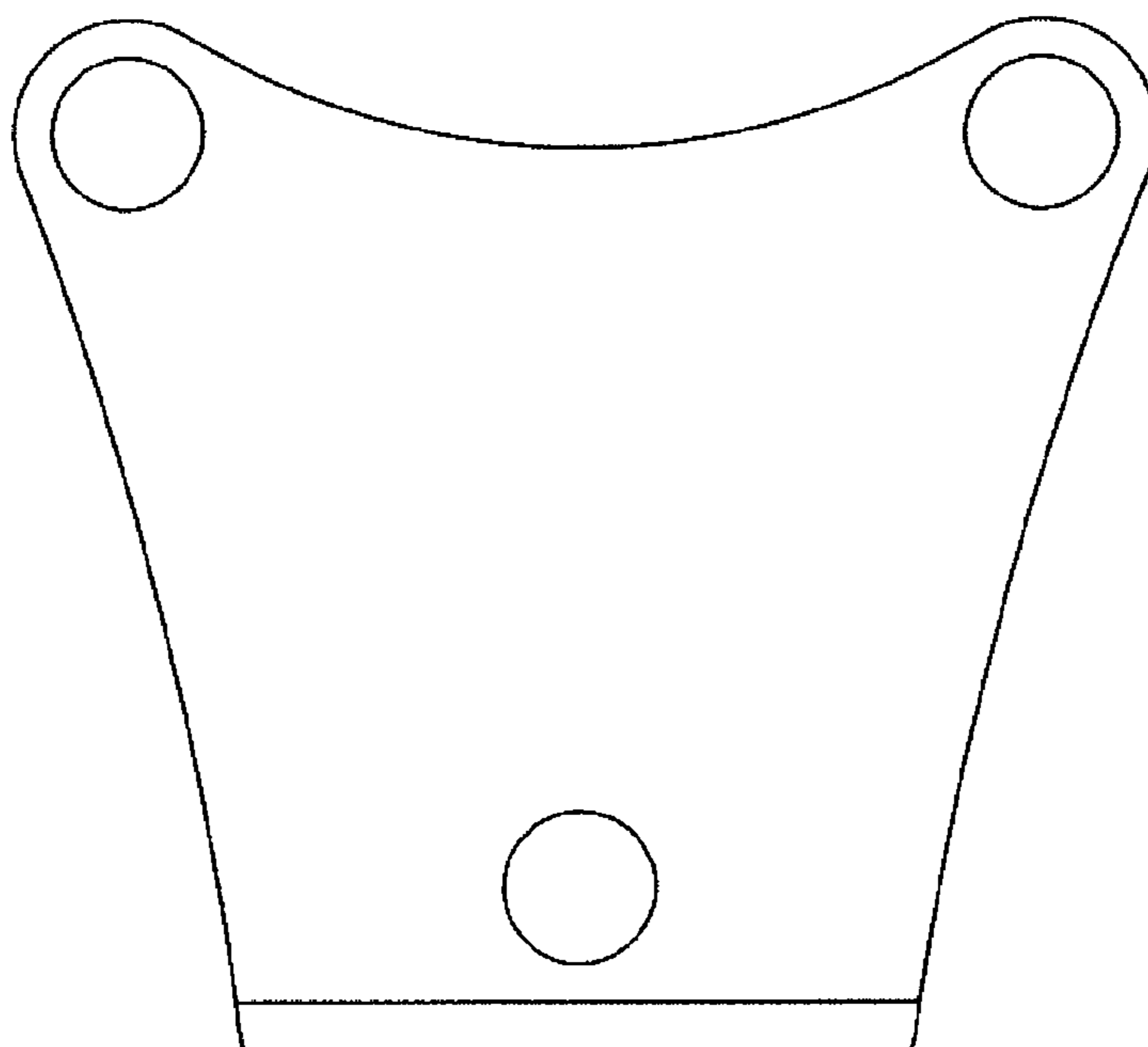


FIG. 9