



US00D717305S

(12) **United States Design Patent**
Alesi et al.

(10) **Patent No.:** **US D717,305 S**
(45) **Date of Patent:** **** Nov. 11, 2014**

- (54) **FOLDING USB ADAPTER**
- (71) Applicant: **Custom Accessories Inc.**, Richmond, IL (US)
- (72) Inventors: **Vincent Anthony Alesi**, Richmond, IL (US); **Anthony Salvatore Ferenzi**, Richmond, IL (US)
- (73) Assignee: **Custom Accessories Inc.**, Richmond, IL (US)
- (**) Term: **14 Years**
- (21) Appl. No.: **29/494,917**
- (22) Filed: **Jun. 25, 2014**

| | | | |
|--------------|---------|------------------|-----------|
| D548,719 S | 8/2007 | Dayan | |
| D550,197 S | 9/2007 | Dayan | |
| D556,730 S | 12/2007 | Yokoyama | |
| D559,848 S | 1/2008 | Siu | |
| D560,165 S * | 1/2008 | Matityahu et al. | D13/133 |
| D573,578 S | 7/2008 | Turksu et al. | |
| D599,800 S | 9/2009 | Klein et al. | |
| D624,548 S | 9/2010 | Yamamoto | |
| D625,266 S * | 10/2010 | Bau | D13/144 |
| D627,784 S | 11/2010 | Yamamoto | |
| D648,726 S * | 11/2011 | Behar et al. | D14/435.1 |
| D670,290 S * | 11/2012 | Dalton | D14/433 |
| D670,291 S * | 11/2012 | Dalton | D14/433 |
| D673,504 S * | 1/2013 | Esses | D13/144 |

(Continued)

Primary Examiner — Austin Murphy
(74) *Attorney, Agent, or Firm* — Leydig, Voit & Mayer, Ltd.

Related U.S. Application Data

- (63) Continuation of application No. 29/454,468, filed on May 10, 2013, now Pat. No. Des. 709,891.
- (51) **LOC (10) Cl.** **14-02**
- (52) **U.S. Cl.**
USPC **D14/433**
- (58) **Field of Classification Search**
USPC D14/356, 432-434, 453, 454, 511, D14/203.8, 209.1, 238.1, 240, 125; 439/638, 928, 105, 502; 710/303, 304; 361/679.41, 679.55, 679.56; D13/110, D13/133, 146
See application file for complete search history.

References Cited

U.S. PATENT DOCUMENTS

| | | |
|------------|--------|------------|
| D522,992 S | 6/2006 | Dayan |
| D523,413 S | 6/2006 | Dayan |
| D538,775 S | 3/2007 | Dayan |
| D541,254 S | 4/2007 | Dayan |
| D546,811 S | 7/2007 | Neu et al. |

(57) **CLAIM**
The ornamental design for a folding USB adapter, as shown and described.

DESCRIPTION

FIG. 1 is a perspective view taken from the top, front, and right side of a folding Universal Serial Bus (USB) adapter showing our new design;

FIG. 2 is a top view of the folding USB adapter of FIG. 1;

FIG. 3 is a bottom view of the folding USB adapter of FIG. 1;

FIG. 4 is a right side view of the folding USB adapter of FIG. 1;

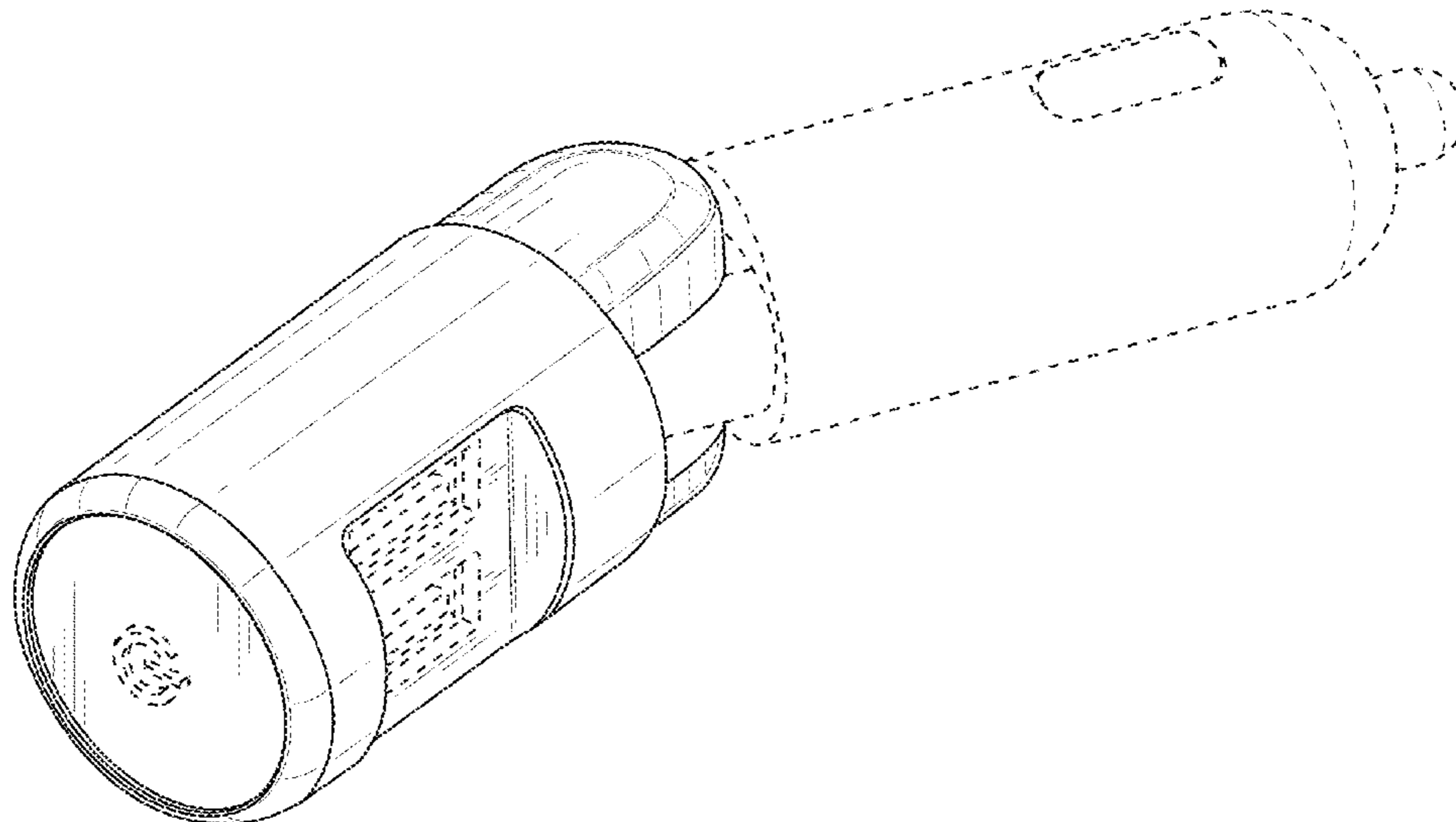
FIG. 5 is a left side view of the folding USB adapter of FIG. 1;

FIG. 6 is a rear elevational view of the folding USB adapter of FIG. 1; and,

FIG. 7 is a front elevational view of the folding USB adapter of FIG. 1.

The broken lines are for purposes of illustrating portions of the folding USB adapter that form no part of the claimed design.

1 Claim, 7 Drawing Sheets



US D717,305 S

Page 2

(56)

References Cited

U.S. PATENT DOCUMENTS

D678,286 S 3/2013 Cheng

D680,539 S 4/2013 Kim
D682,835 S 5/2013 Daniel
D709,891 S * 7/2014 Alesi et al. D14/433

* cited by examiner

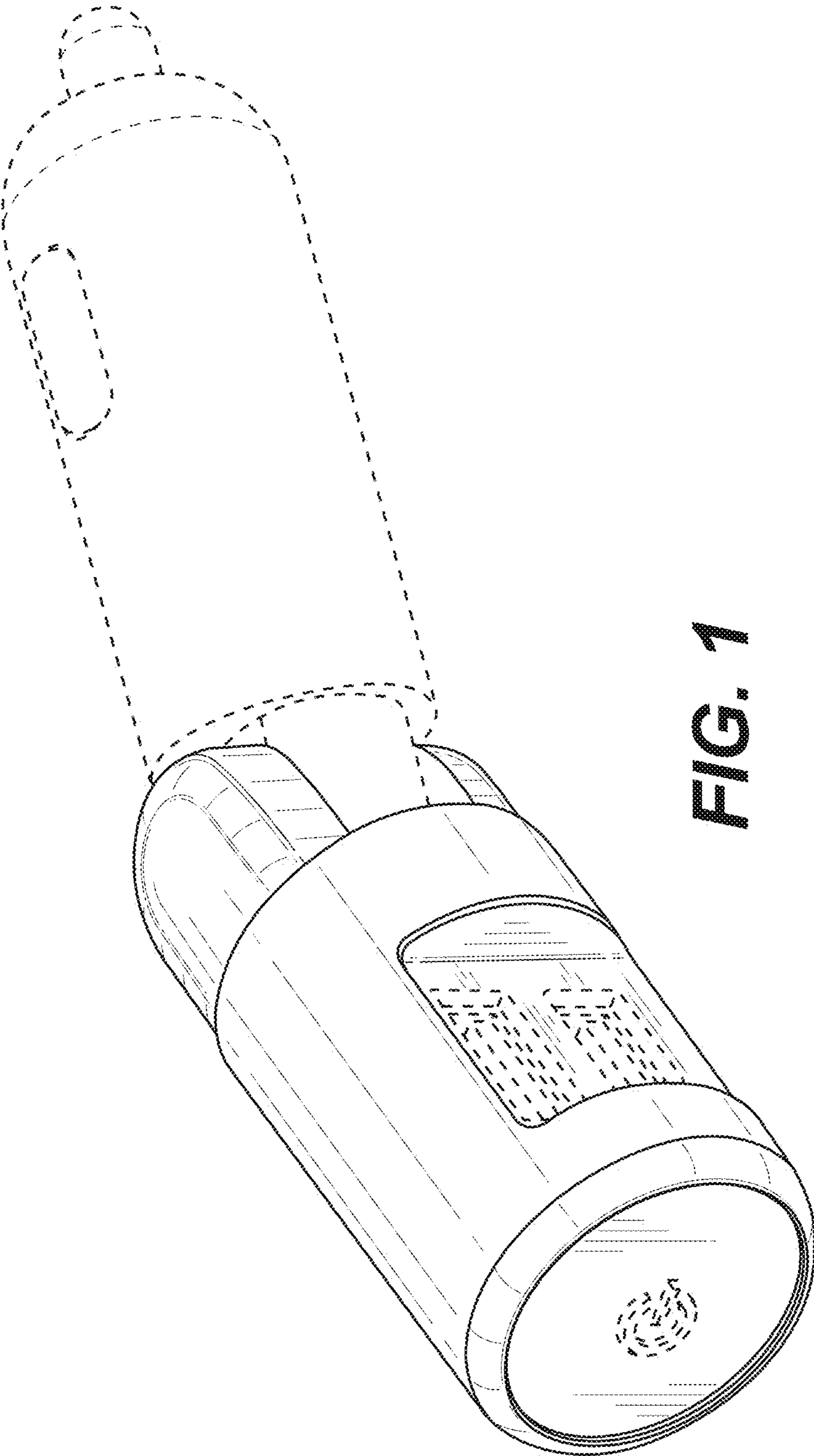


FIG. 1

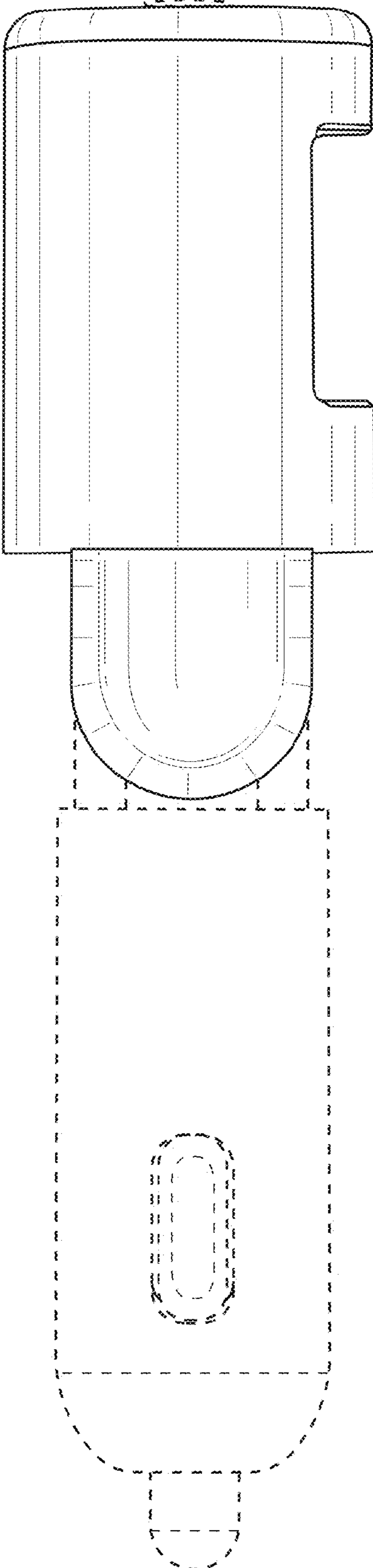


FIG. 2

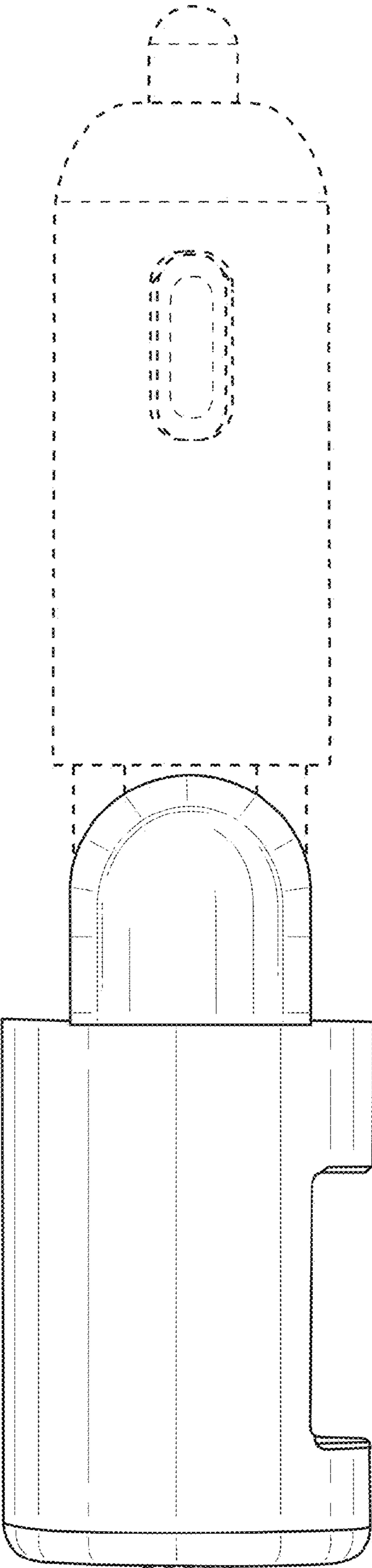


FIG. 3

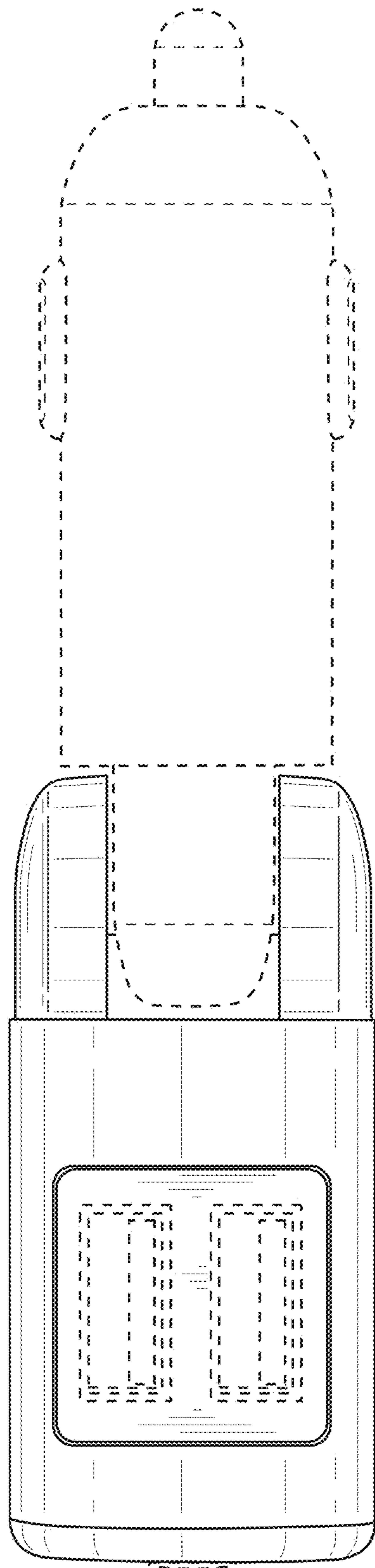


FIG. 4

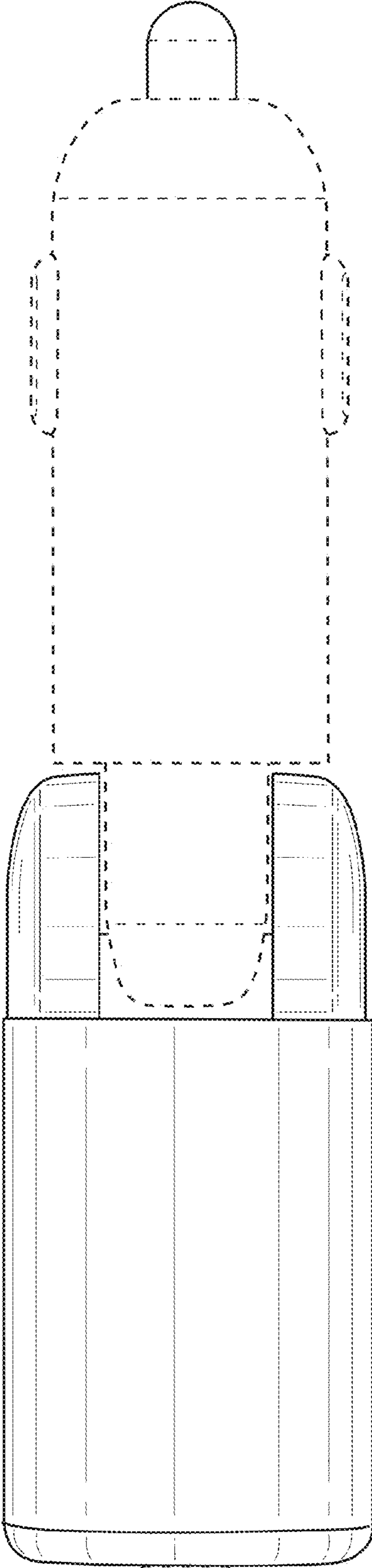


FIG. 5

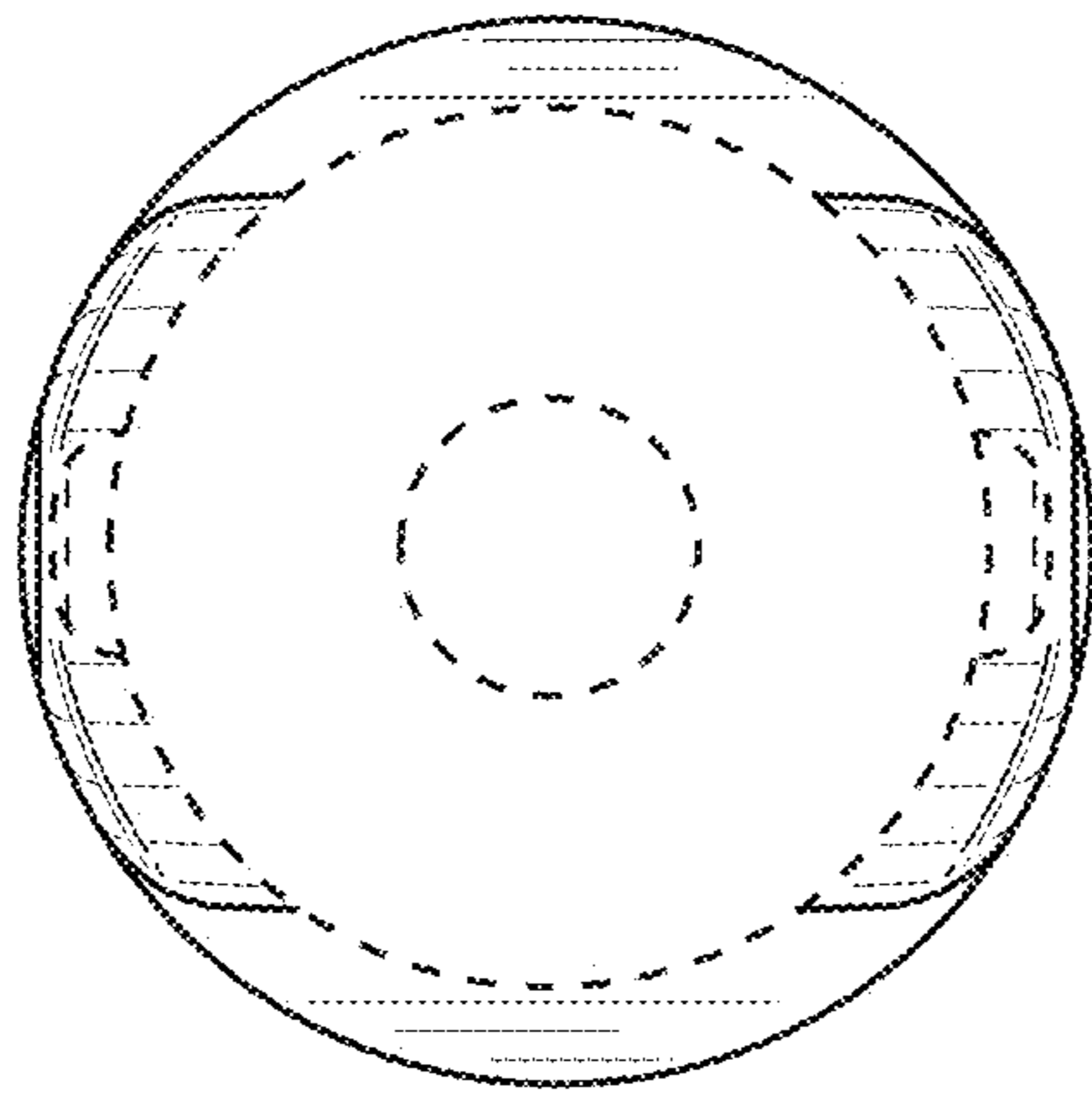


FIG. 6

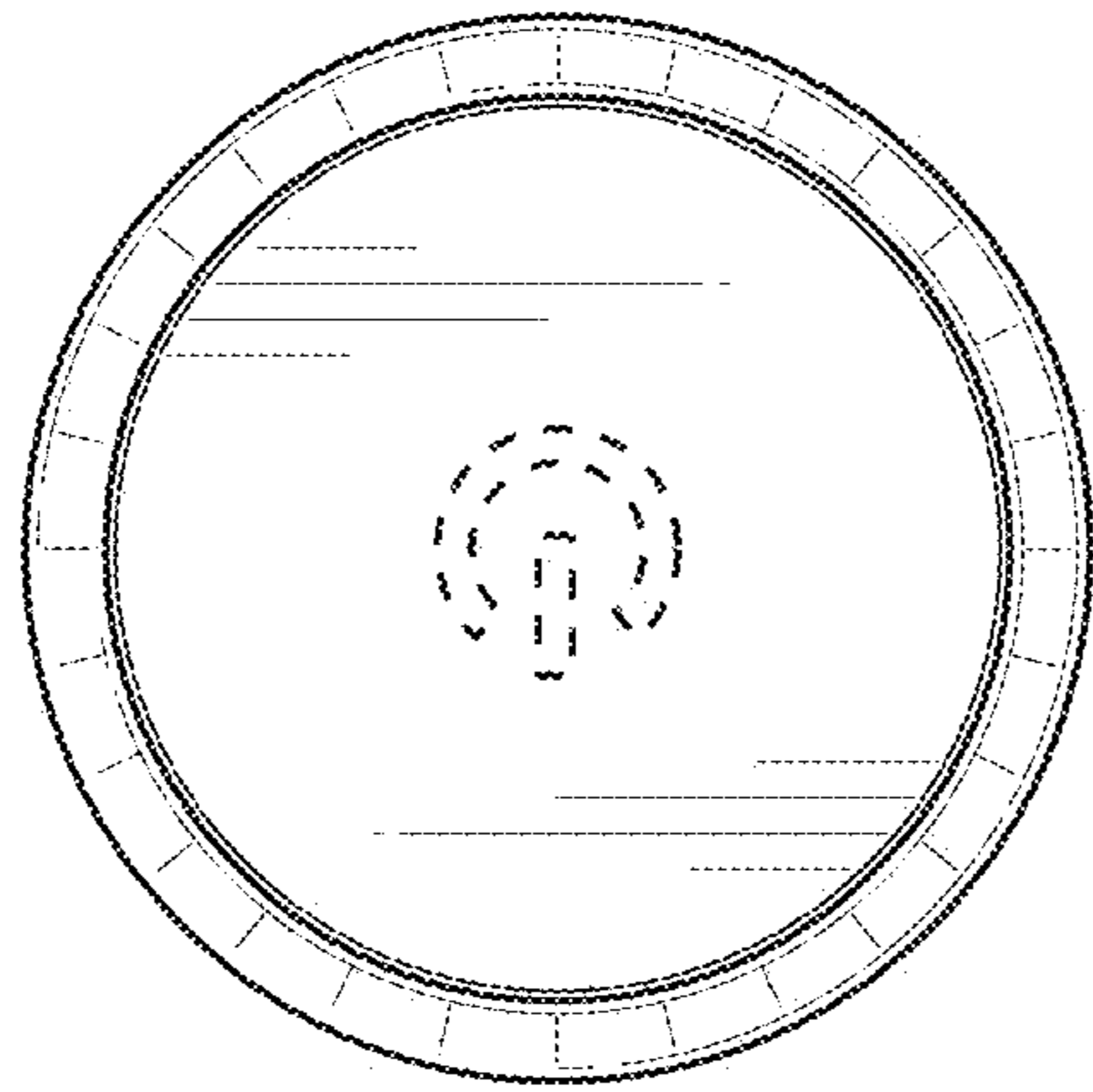


FIG. 7