



US00D717303S

(12) **United States Design Patent**
Huang

(10) **Patent No.:** **US D717,303 S**

(45) **Date of Patent:** **** Nov. 11, 2014**

(54) **TOUCH PEN**

(71) Applicant: **Chao Kuang Huang**, Taichung (TW)

(72) Inventor: **Chao Kuang Huang**, Taichung (TW)

(**) Term: **14 Years**

(21) Appl. No.: **29/495,972**

(22) Filed: **Jul. 8, 2014**

(51) **LOC (10) Cl.** **14-02**

(52) **U.S. Cl.**
USPC **D14/411**

(58) **Field of Classification Search**
USPC D8/61; D14/411; D19/35, 36, 41-51,
D19/54-58; 401/55, 99, 100, 104-107, 196,
401/197, 202, 208, 209, 213, 192, 195,
401/243; 708/107; 345/179, 173;
178/19.01; 700/94

See application file for complete search history.

(56) **References Cited**

U.S. PATENT DOCUMENTS

1,974,667	A *	9/1934	Solinger	401/52
D342,087	S *	12/1993	Mear et al.	D19/36
D456,411	S *	4/2002	Kourushi	D14/411
6,505,984	B2 *	1/2003	Smith et al.	401/52
D547,799	S *	7/2007	Granick	D19/36
7,377,709	B2 *	5/2008	Butler	401/195

D619,580	S *	7/2010	Nakayama et al.	D14/411
D662,097	S *	6/2012	Lin	D14/411
D675,621	S *	2/2013	Fletcher et al.	D14/411
D684,579	S *	6/2013	Chen	D14/411
D686,618	S *	7/2013	Wilson et al.	D14/411
D704,188	S *	5/2014	Leung et al.	D14/411
D704,710	S *	5/2014	Chen	D14/411
D708,616	S *	7/2014	Nakata	D14/411
D709,070	S *	7/2014	Leung et al.	D14/411
D709,886	S *	7/2014	Lin	D14/411

* cited by examiner

Primary Examiner — Austin Murphy

(74) *Attorney, Agent, or Firm* — Lin & Associates IP, Inc.

(57) **CLAIM**

The ornamental design for a touch pen, as shown and described.

DESCRIPTION

FIG. 1 is a perspective view of a touch pen showing my new design;

FIG. 2 is a front elevational view thereof;

FIG. 3 is a rear elevational view thereof;

FIG. 4 is a left elevational view thereof;

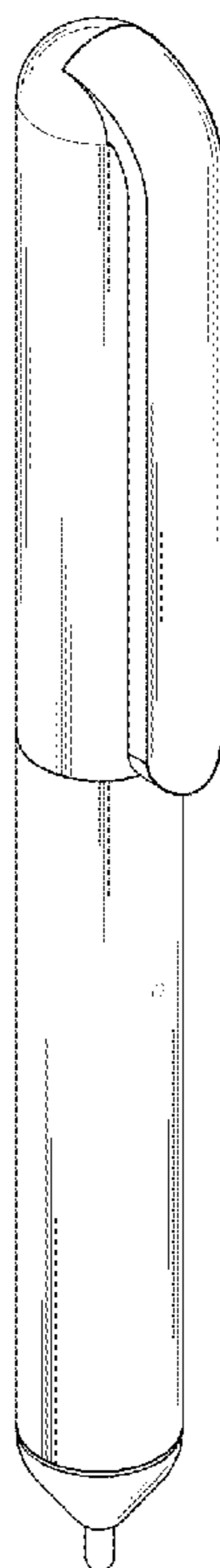
FIG. 5 is a right elevational view thereof;

FIG. 6 is a top view thereof; and,

FIG. 7 is a bottom view thereof.

The broken line portion of the drawings is included to show unclaimed subject matter only and forms no part of the claimed design.

1 Claim, 6 Drawing Sheets



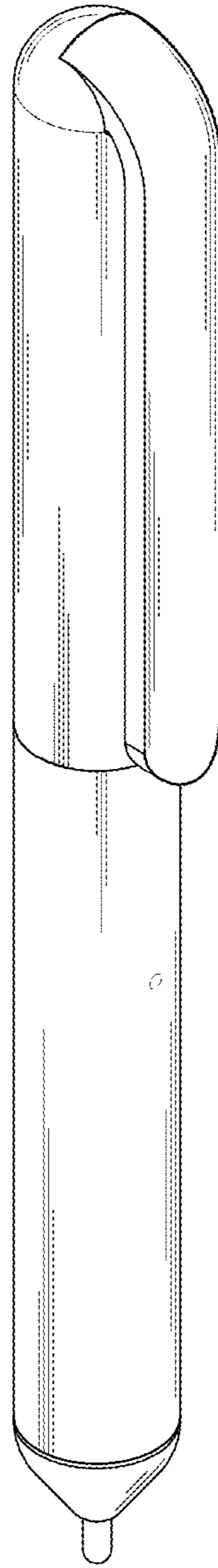


FIG. 1

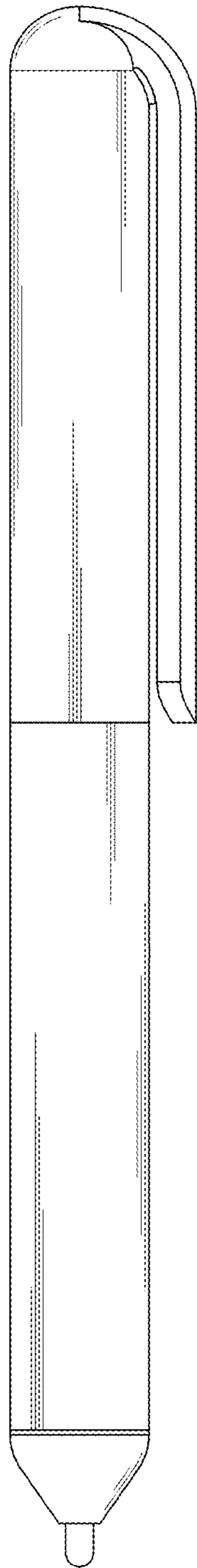


FIG. 2

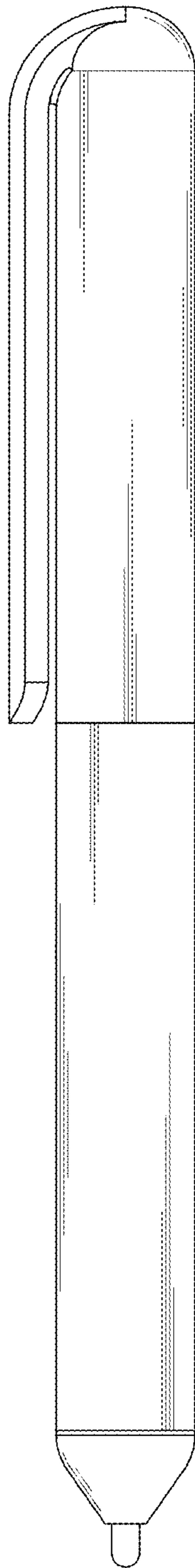


FIG. 3

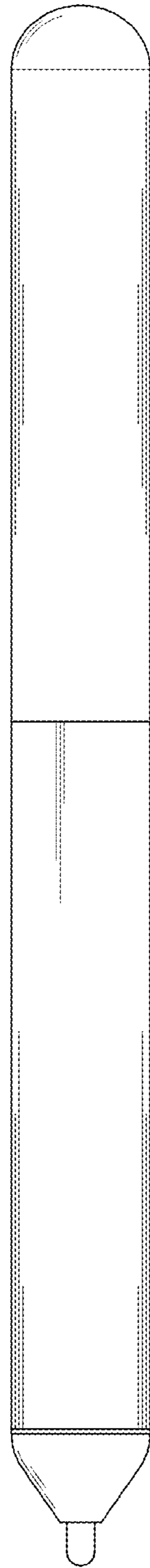


FIG. 4

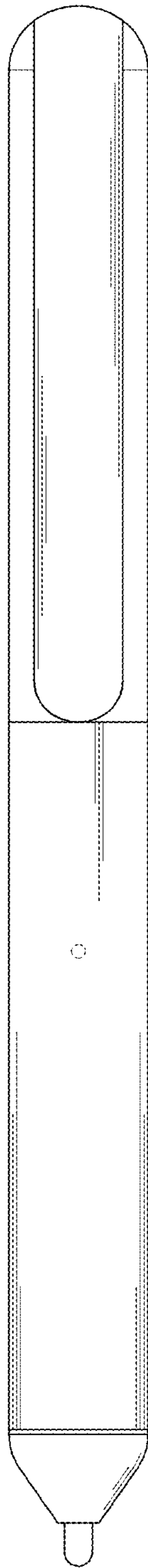


FIG. 5

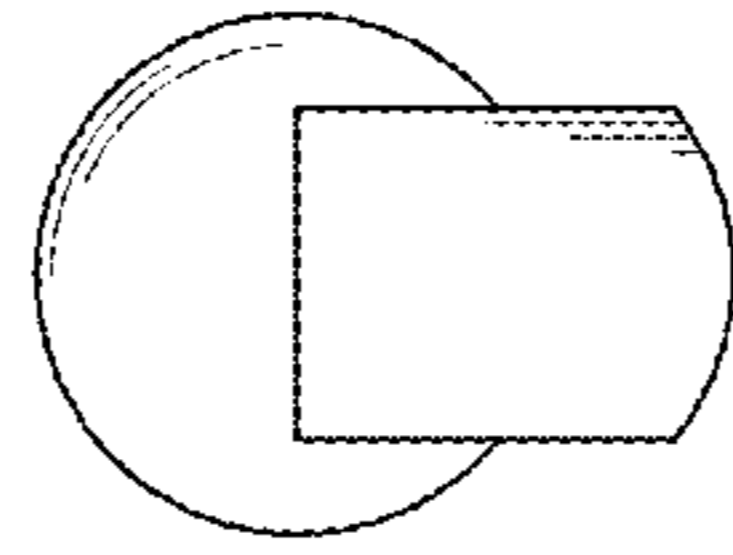


FIG. 6

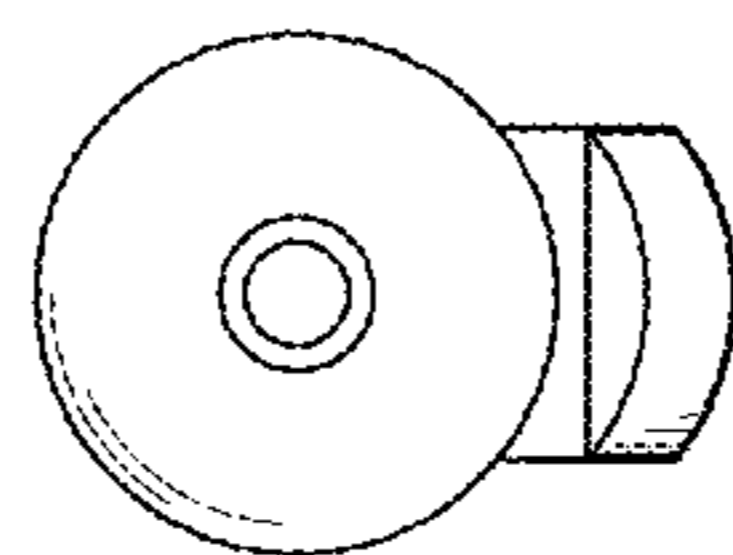


FIG. 7