



US00D717302S

(12) **United States Design Patent**  
**DeSerio**

(10) **Patent No.:** **US D717,302 S**

(45) **Date of Patent:** **\*\* Nov. 11, 2014**

(54) **STYLUS**

(74) *Attorney, Agent, or Firm* — Cantor Colburn LLP

(71) Applicant: **Louis DeSerio**, Branford, CT (US)

(57) **CLAIM**

I claim, an ornamental design for a stylus, as shown and described.

(72) Inventor: **Louis DeSerio**, Branford, CT (US)

(\*\*) Term: **14 Years**

**DESCRIPTION**

(21) Appl. No.: **29/494,921**

FIG. 1 is a top front perspective view of a stylus, showing my new design;

(22) Filed: **Jun. 25, 2014**

FIG. 2 is a bottom front perspective view thereof;

(51) **LOC (10) Cl.** ..... **14-02**

FIG. 3 is a front elevation view thereof;

(52) **U.S. Cl.**

FIG. 4 is a rear elevation view thereof;

USPC ..... **D14/411**

FIG. 5 is a right side elevation view thereof;

(58) **Field of Classification Search**

FIG. 6 is a left side elevation view thereof;

CPC ..... G06F 3/016; G06F 3/033; G06F 3/0317;  
G06F 3/03545; G06F 3/041; G06K 9/222

FIG. 7 is a top plan view thereof;

USPC ..... D8/61; D14/411; D19/35, 36, 41–51,  
D19/54–58; 401/55, 99, 100, 104–107, 196,  
401/197, 202, 208, 209, 213, 192, 195,  
401/243; 708/107; 345/179, 173;  
178/19.01; 700/94

FIG. 8 bottom plan view thereof;

FIG. 9 is a top front perspective view of a stylus, showing my new design in another exemplary embodiment;

See application file for complete search history.

FIG. 10 is a bottom front perspective view thereof;

(56) **References Cited**

**U.S. PATENT DOCUMENTS**

D77,800 S *	2/1929	Vredenburgh	.....	D19/49
2,338,068 A *	12/1943	Harris et al.	.....	401/75
D195,924 S *	8/1963	Perlmutter	.....	D19/45
D332,446 S *	1/1993	Lin	.....	D14/411
D344,760 S *	3/1994	Monzyk	.....	D19/49
D443,640 S *	6/2001	Schapiro	.....	D19/35
D576,674 S *	9/2008	Tseng	.....	D19/36
D617,798 S *	6/2010	Liu	.....	D14/411
D634,325 S *	3/2011	Naulapaa	.....	D14/411
D661,285 S *	6/2012	Ivaskevicius	.....	D14/230
D681,037 S *	4/2013	Hashi	.....	D14/411
D707,227 S *	6/2014	Chung et al.	.....	D14/411

FIG. 11 is a front elevation view thereof;

FIG. 12 is a rear elevation view thereof;

FIG. 13 is a right side elevation view thereof;

FIG. 14 is a left side elevation view thereof;

FIG. 15 is a top plan view thereof;

FIG. 16 bottom plan view thereof;

FIG. 17 is a top front perspective view of a stylus, showing my new design in another exemplary embodiment;

FIG. 18 is a bottom front perspective view thereof;

FIG. 19 is a front elevation view thereof;

FIG. 20 is a rear elevation view thereof;

FIG. 21 is a right side elevation view thereof;

FIG. 22 is a left side elevation view thereof;

FIG. 23 is a top plan view thereof; and,

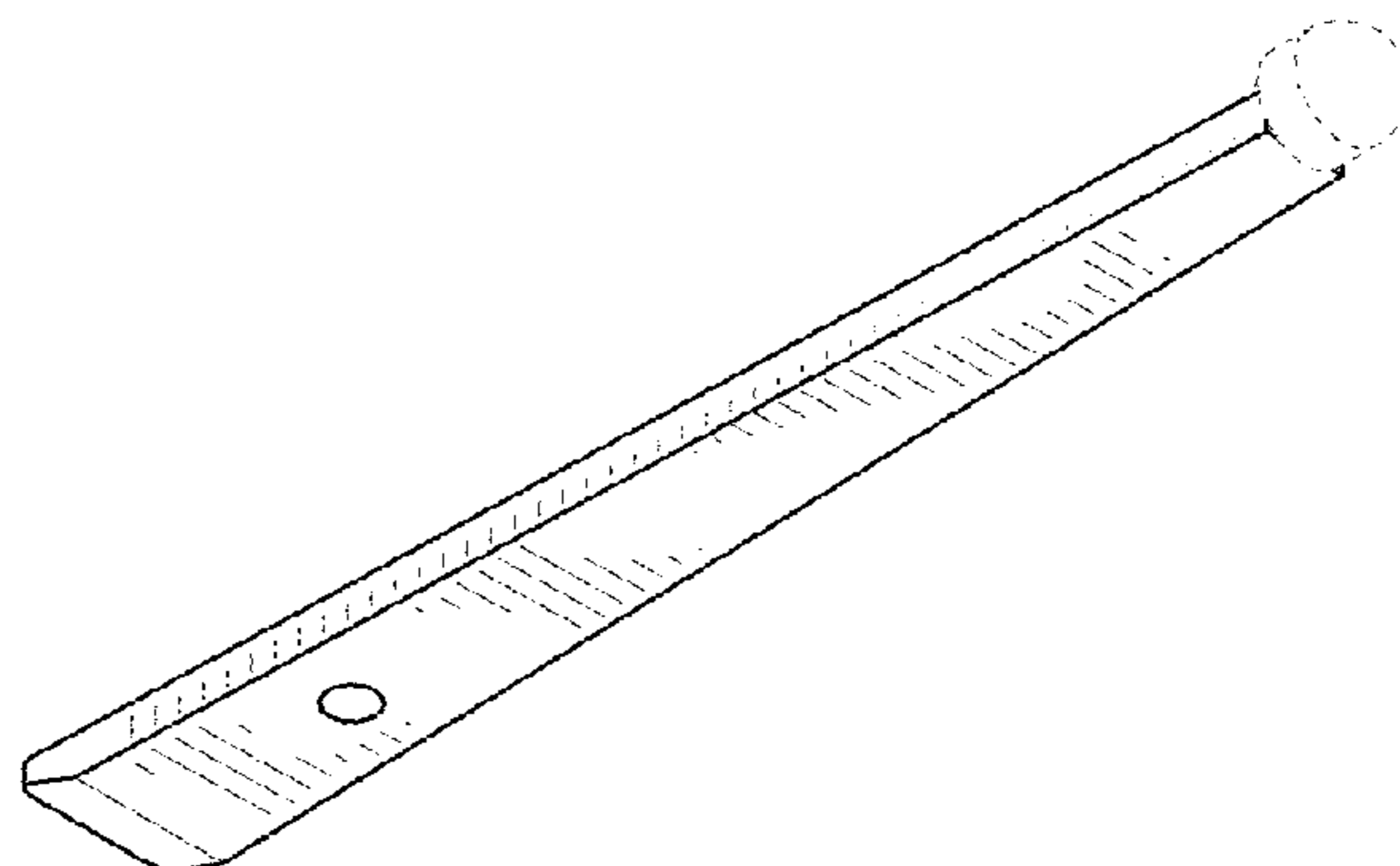
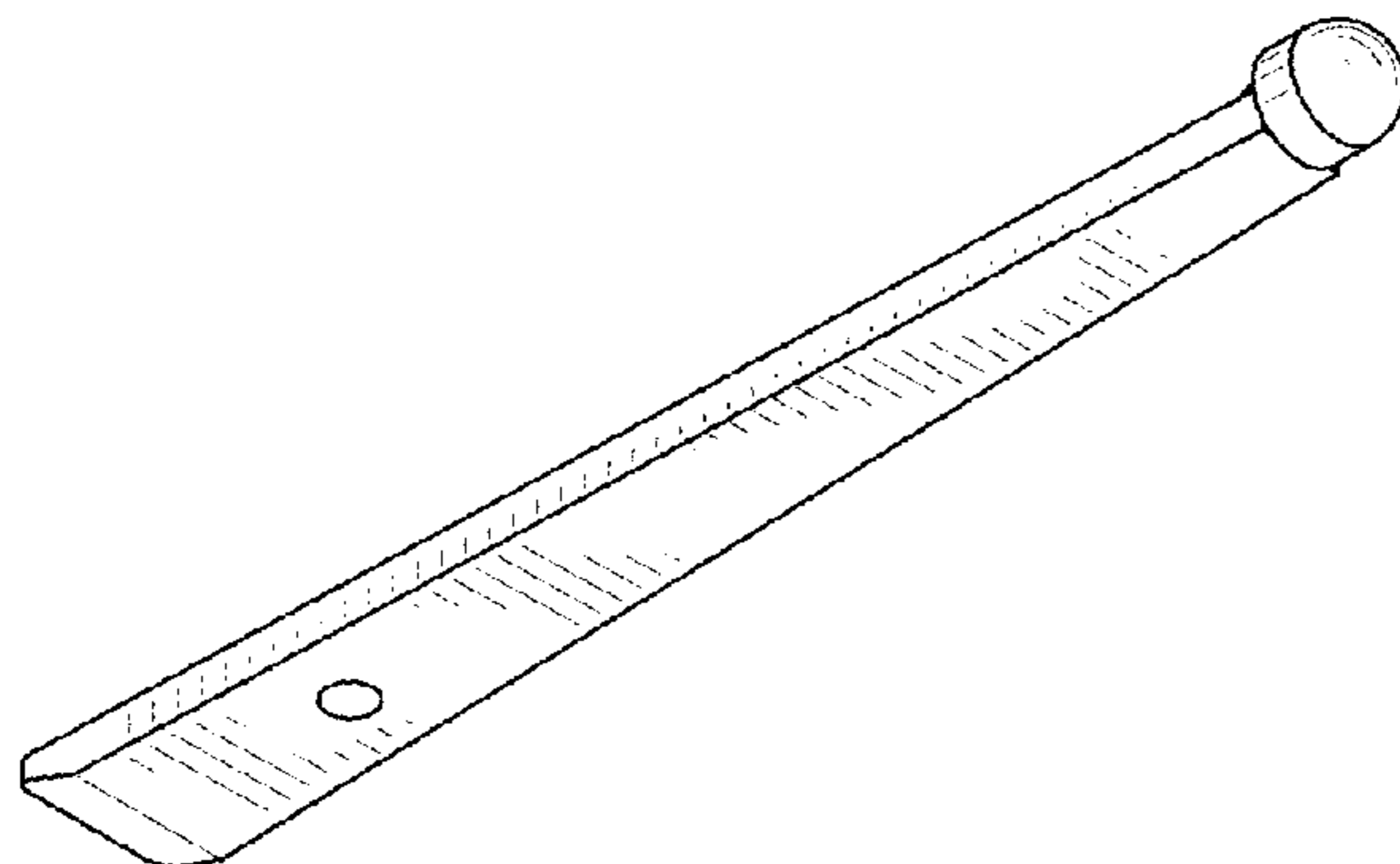
FIG. 24 bottom plan view thereof.

The broken-lines shown in the drawings represent portions of the article that form no part of the claimed design. References to “side,” “top,” “bottom,” “front,” and “rear” in the Figure Descriptions are not meant to require any specific orientation of the article as viewed.

\* cited by examiner

*Primary Examiner* — Austin Murphy

**1 Claim, 3 Drawing Sheets**



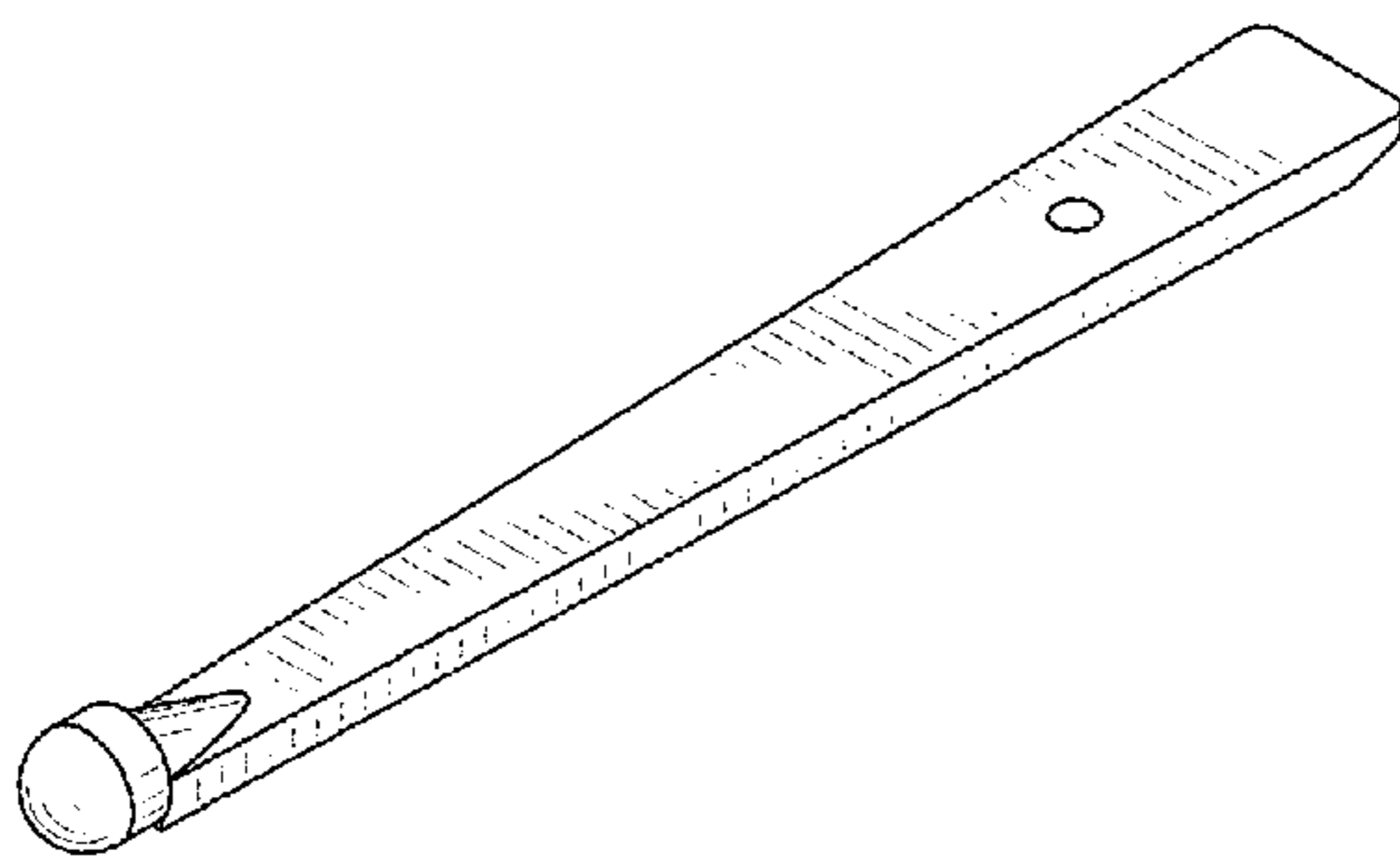


FIG. 1

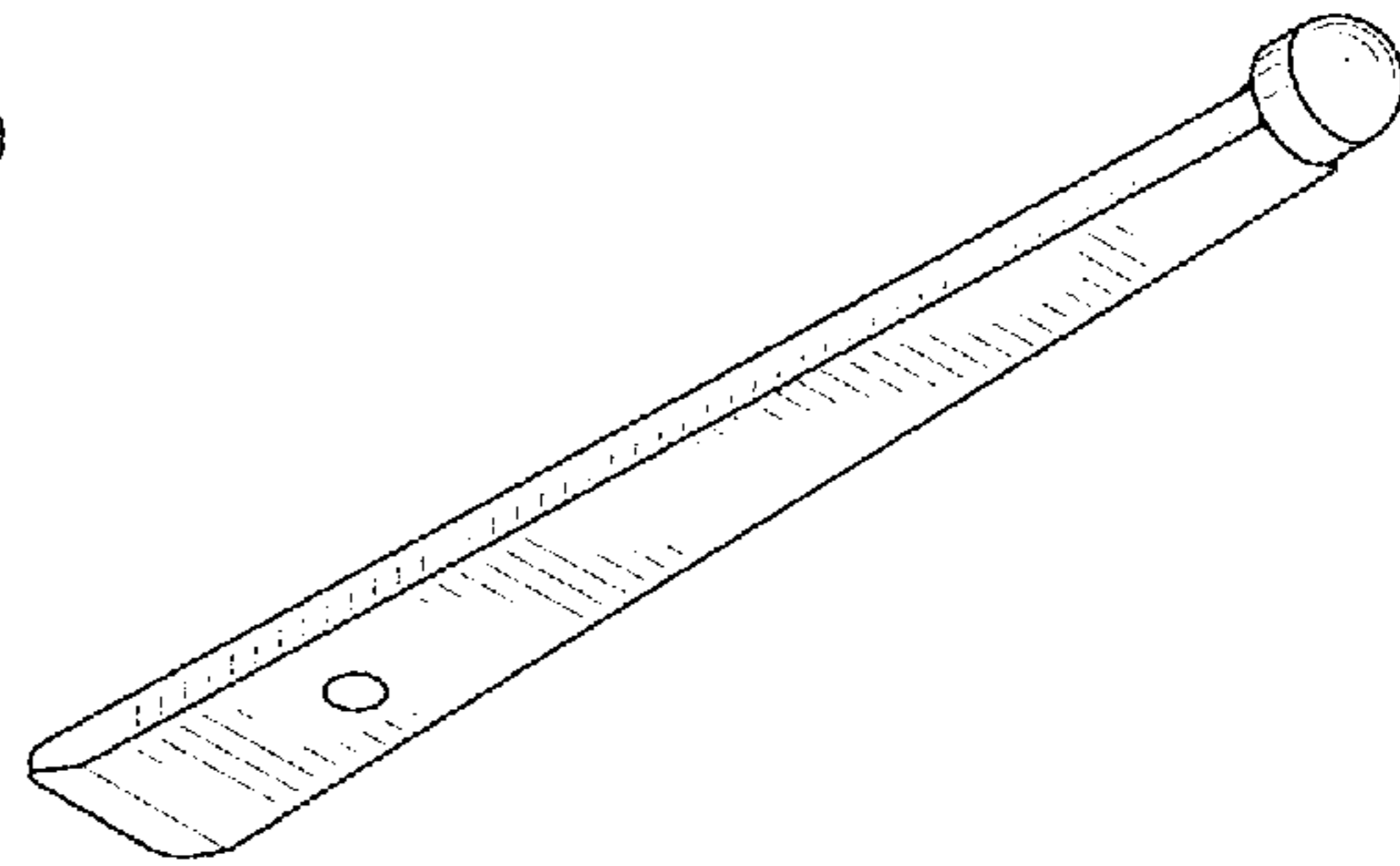


FIG. 2



FIG. 3

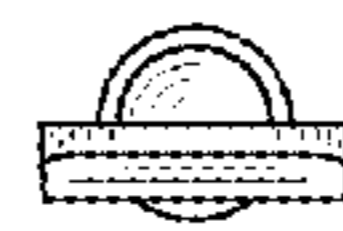


FIG. 4



FIG. 7



FIG. 5



FIG. 6



FIG. 8

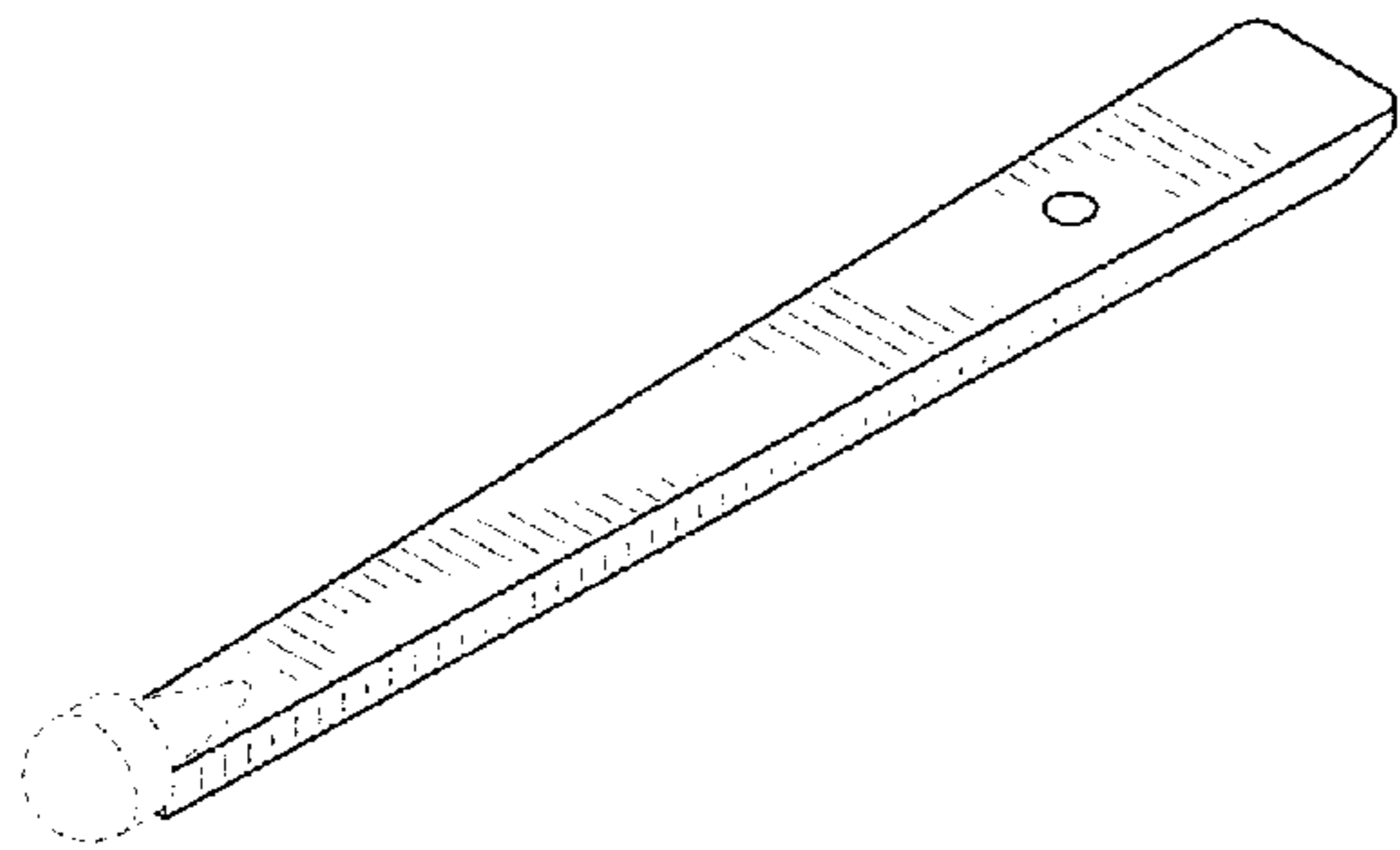


FIG. 9

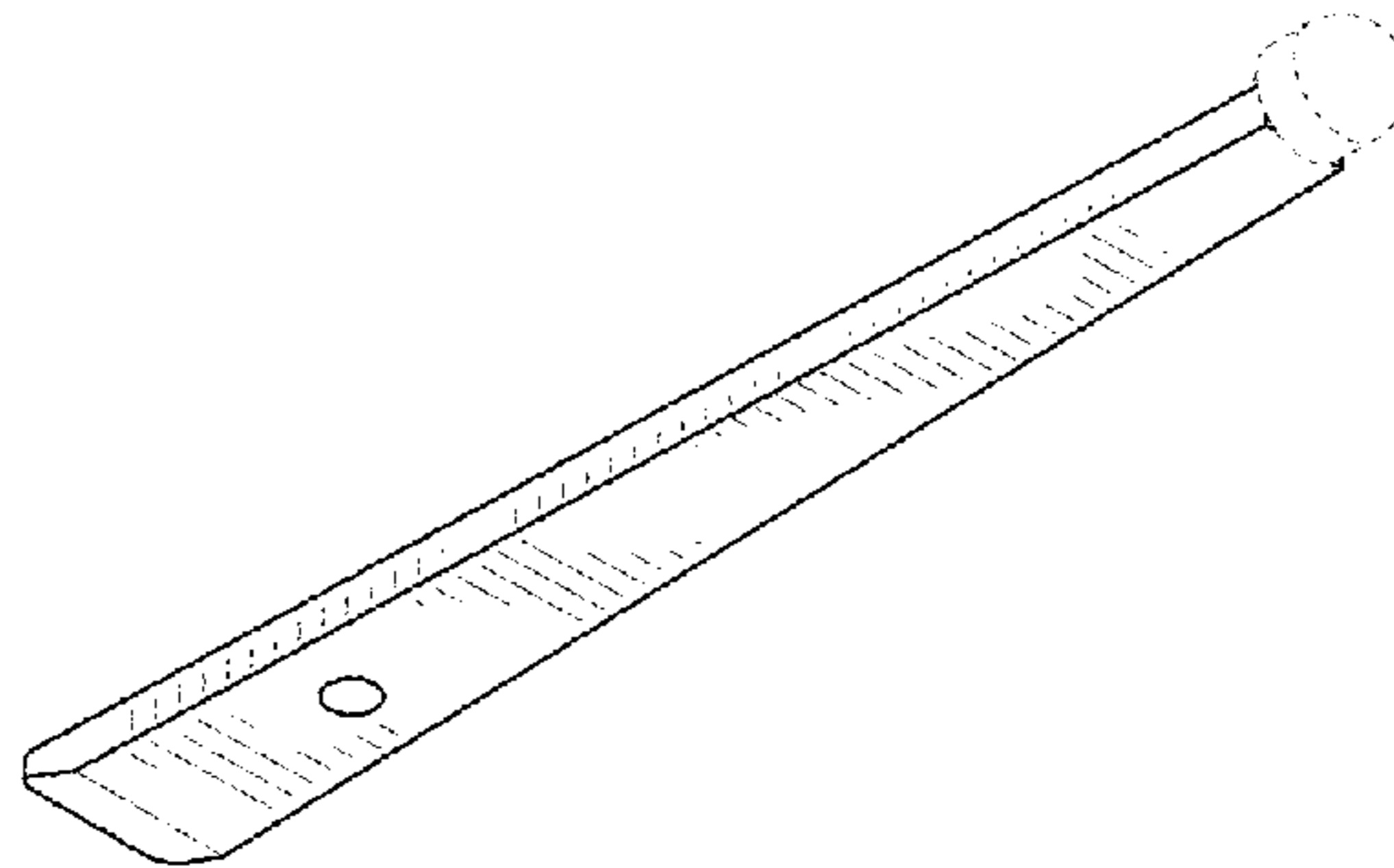


FIG. 10



FIG. 11



FIG. 12



FIG. 15

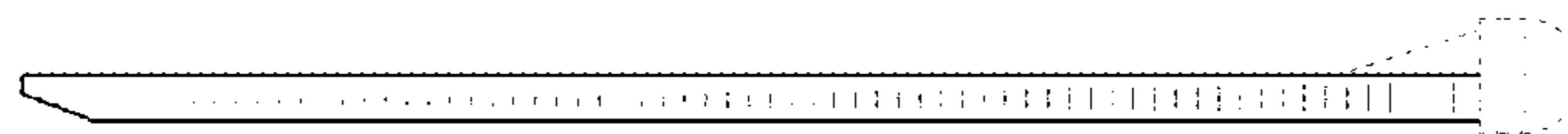


FIG. 13



FIG. 14

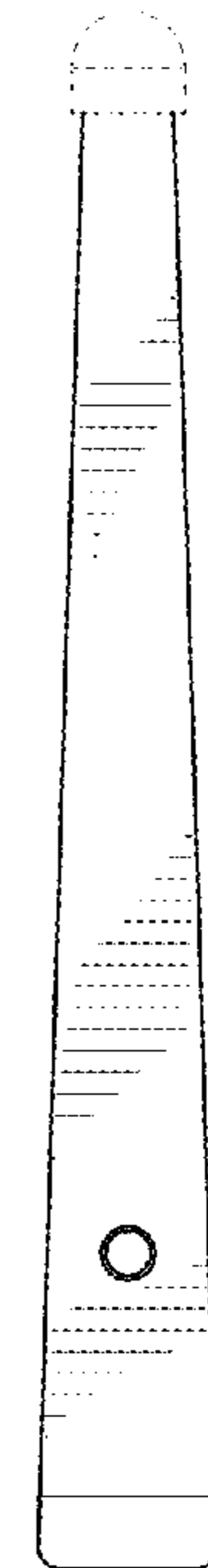


FIG. 16

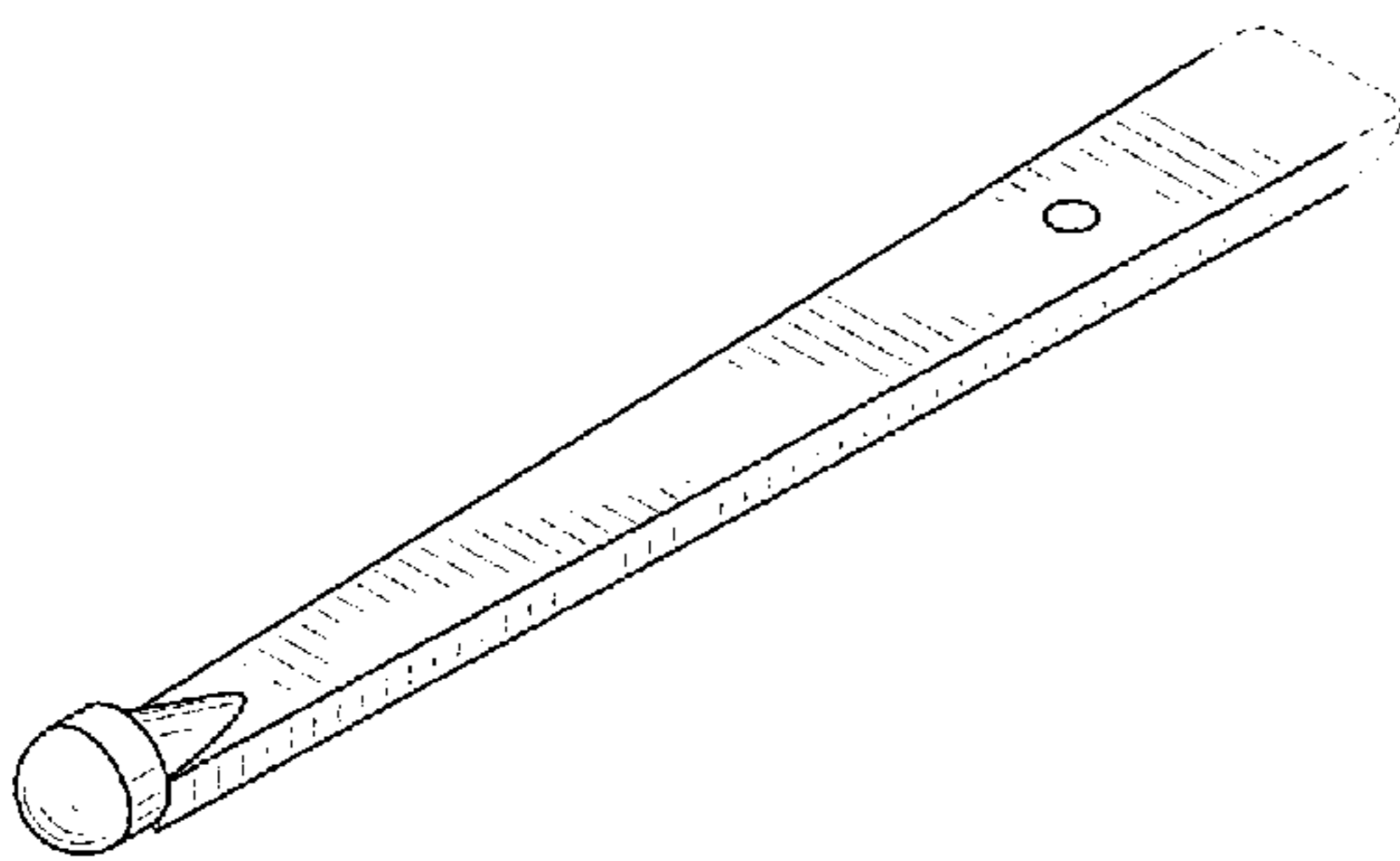


FIG. 17

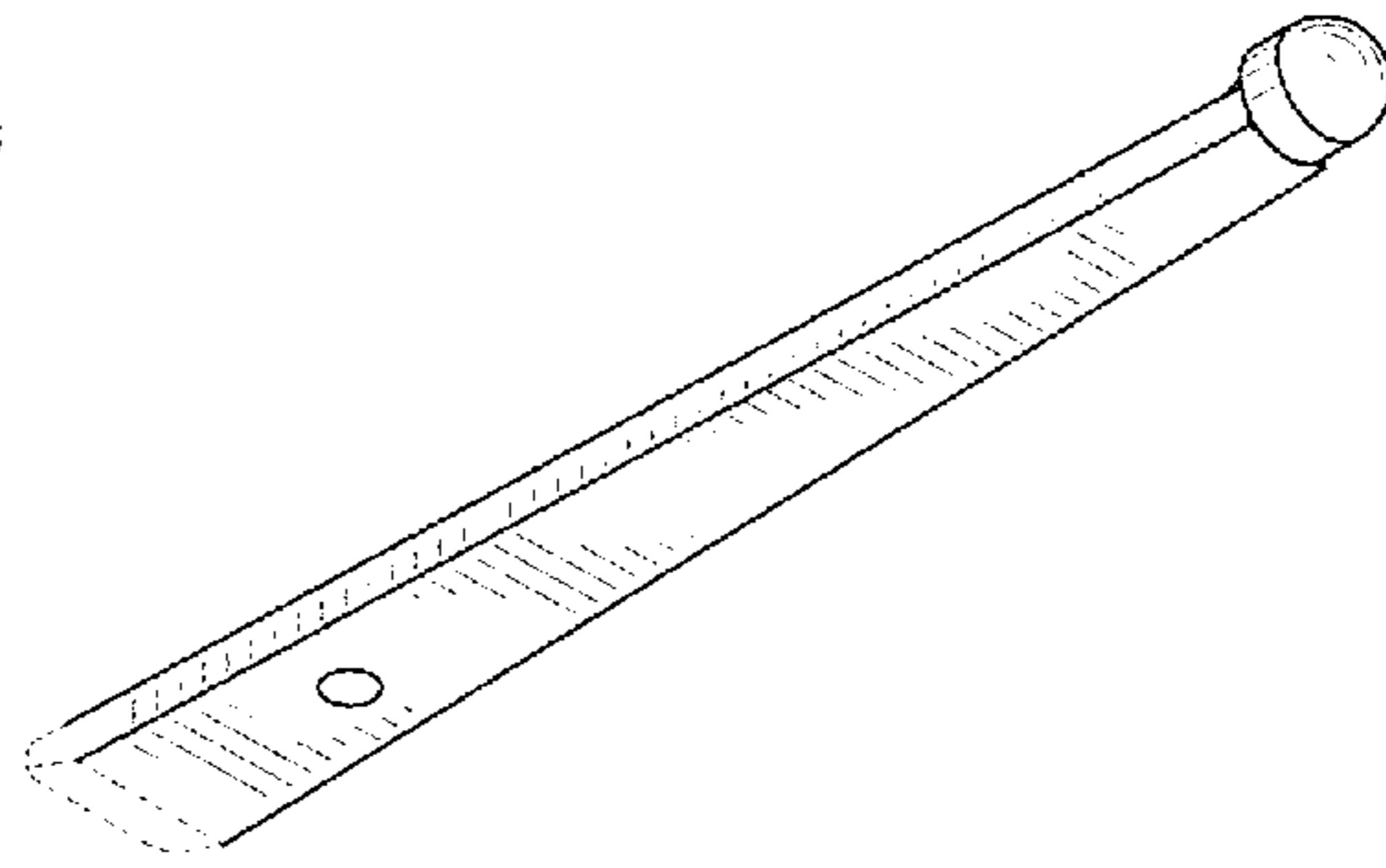


FIG. 18



FIG. 19



FIG. 20



FIG. 23

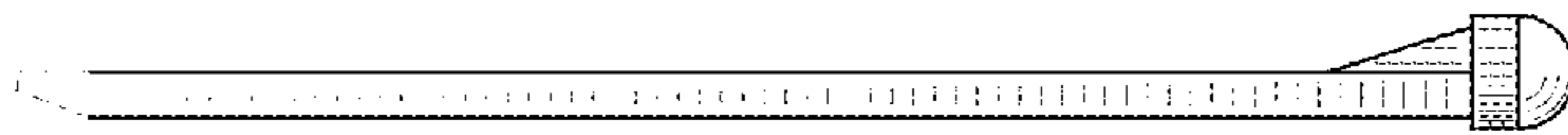


FIG. 21

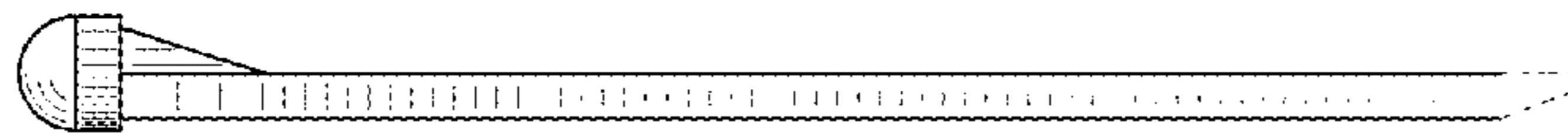


FIG. 22



FIG. 24