



US00D717300S

(12) **United States Design Patent**  
**Gourishankar et al.**

(10) **Patent No.:** **US D717,300 S**

(45) **Date of Patent:** **\*\* Nov. 11, 2014**

(54) **COMPUTER INTERFACE**

(71) Applicant: **3D Systems**, Rock Hill, SC (US)

(72) Inventors: **Venkat Gourishankar**, Andover, MA (US); **Pulkit Kapur**, Andover, MA (US); **David Chen**, Andover, MA (US); **Scott Summit**, San Francisco, CA (US); **Seth Astle**, San Francisco, CA (US); **Kristin Size**, Cambridge, MA (US)

(73) Assignee: **3D Systems, Inc.**, Rock Hill, SC (US)

(\*\*) Term: **14 Years**

(21) Appl. No.: **29/486,420**

(22) Filed: **Mar. 28, 2014**

(51) **LOC (10) Cl.** ..... **14-02**

(52) **U.S. Cl.**  
USPC ..... **D14/411**

(58) **Field of Classification Search**  
USPC ..... D8/61; D14/411, 218, 388; D19/35, 36, D19/41-51, 54-58; 401/55, 99, 100, 401/104-107, 196, 197, 202, 208, 209, 213, 401/192, 195, 243; 708/107; 345/179, 173, 345/156; 178/19.01; 700/94; 33/503  
See application file for complete search history.

(56) **References Cited**

**U.S. PATENT DOCUMENTS**

D348,660	S	*	7/1994	Parsons	.....	D14/388
D377,932	S	*	2/1997	Schena et al.	.....	D14/411
D440,570	S	*	4/2001	Schneider	.....	D14/411
6,850,224	B2	*	2/2005	Baughman	.....	345/163
D510,739	S	*	10/2005	Jones et al.	.....	D14/411
6,985,133	B1	*	1/2006	Rodomista et al.	.....	345/156

7,017,275	B2	*	3/2006	Raab et al.	.....	33/503
D543,984	S	*	6/2007	Riou	.....	D14/411
D551,660	S	*	9/2007	Francz et al.	.....	D14/218
7,411,576	B2	*	8/2008	Massie et al.	.....	345/156
D576,625	S	*	9/2008	Trigg et al.	.....	D14/411
7,714,836	B2	*	5/2010	Rodomista et al.	.....	345/156
D640,698	S	*	6/2011	Shi et al.	.....	D14/411
D642,176	S	*	7/2011	Shi et al.	.....	D14/411
D642,177	S	*	7/2011	Shi et al.	.....	D14/411
D655,706	S	*	3/2012	Jordan et al.	.....	D14/411
D662,500	S	*	6/2012	OQuin	.....	D14/411
8,595,948	B2	*	12/2013	Raab et al.	.....	33/503
D700,909	S	*	3/2014	Bowser	.....	D14/432
D705,228	S	*	5/2014	Peters	.....	D14/411
2002/0163495	A1	*	11/2002	Doynov	.....	345/156
2002/0175894	A1	*	11/2002	Grillo	.....	345/156

\* cited by examiner

*Primary Examiner* — Austin Murphy

(74) *Attorney, Agent, or Firm* — Paul Tomita

(57) **CLAIM**

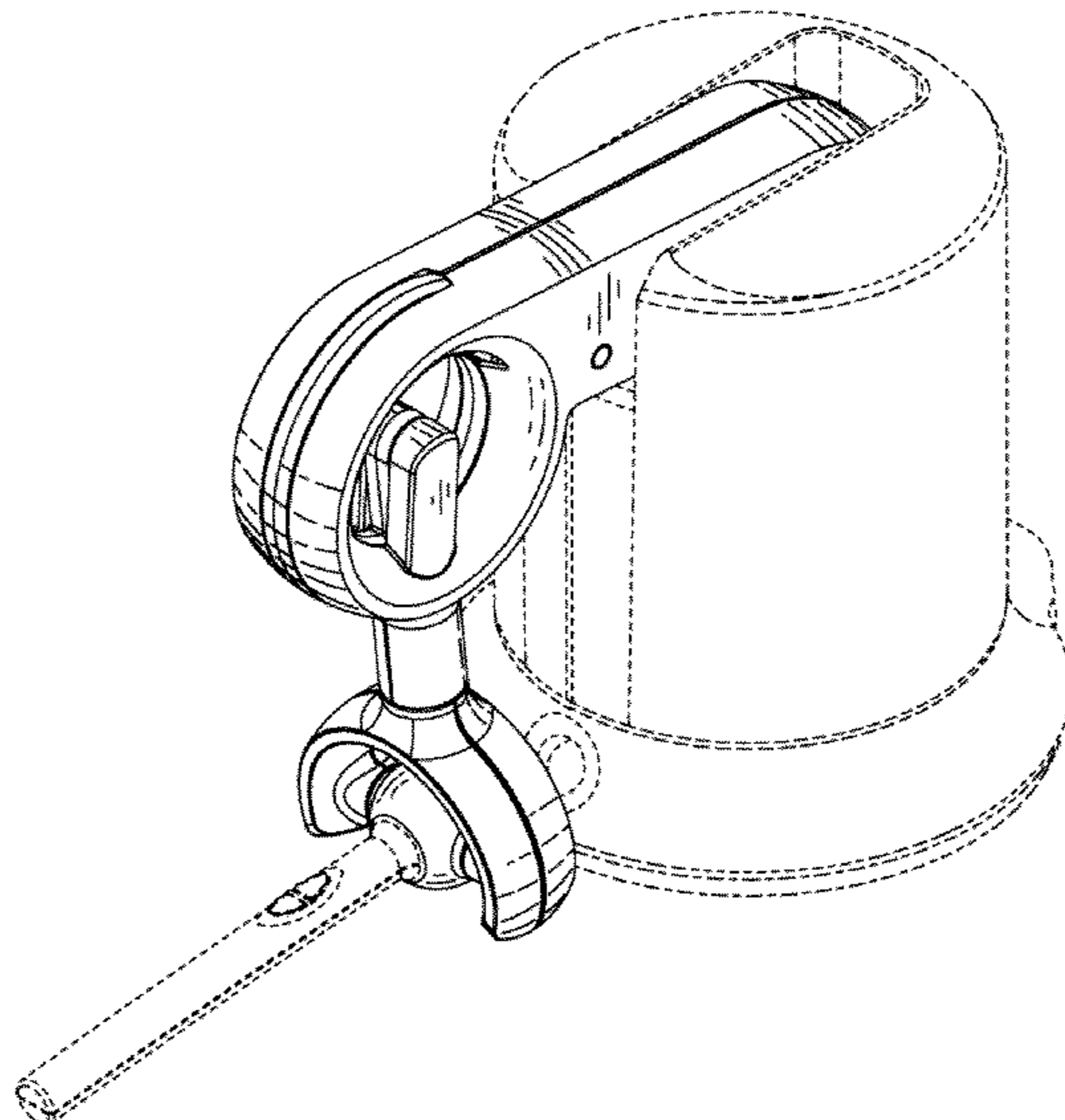
What is claimed is the ornamental design for a computer interface, as shown and described.

**DESCRIPTION**

FIG. 1 is a front perspective view of a design for a computer interface;  
FIG. 2 is a left side view of the design;  
FIG. 3 is a right side view of the design;  
FIG. 4 is a front view of the design;  
FIG. 5 is a top view of the design; and,  
FIG. 6 is a bottom of the design.

The broken lines adjacent to the shaded areas represent bounds of the claimed design while all other broken lines are directed to environment and are for illustrative purposes only. The broken lines form no part of the claimed design.

**1 Claim, 3 Drawing Sheets**



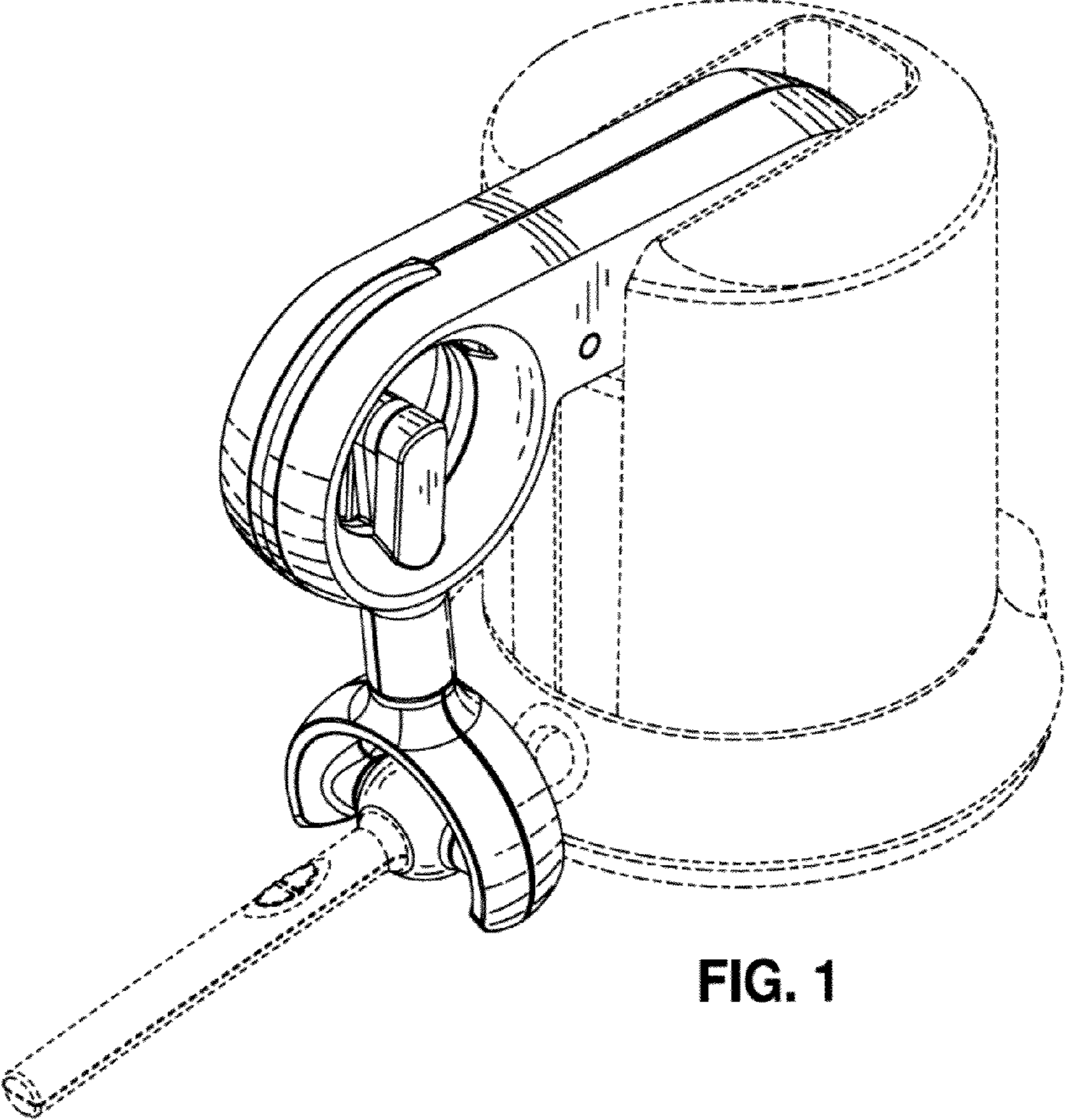


FIG. 1

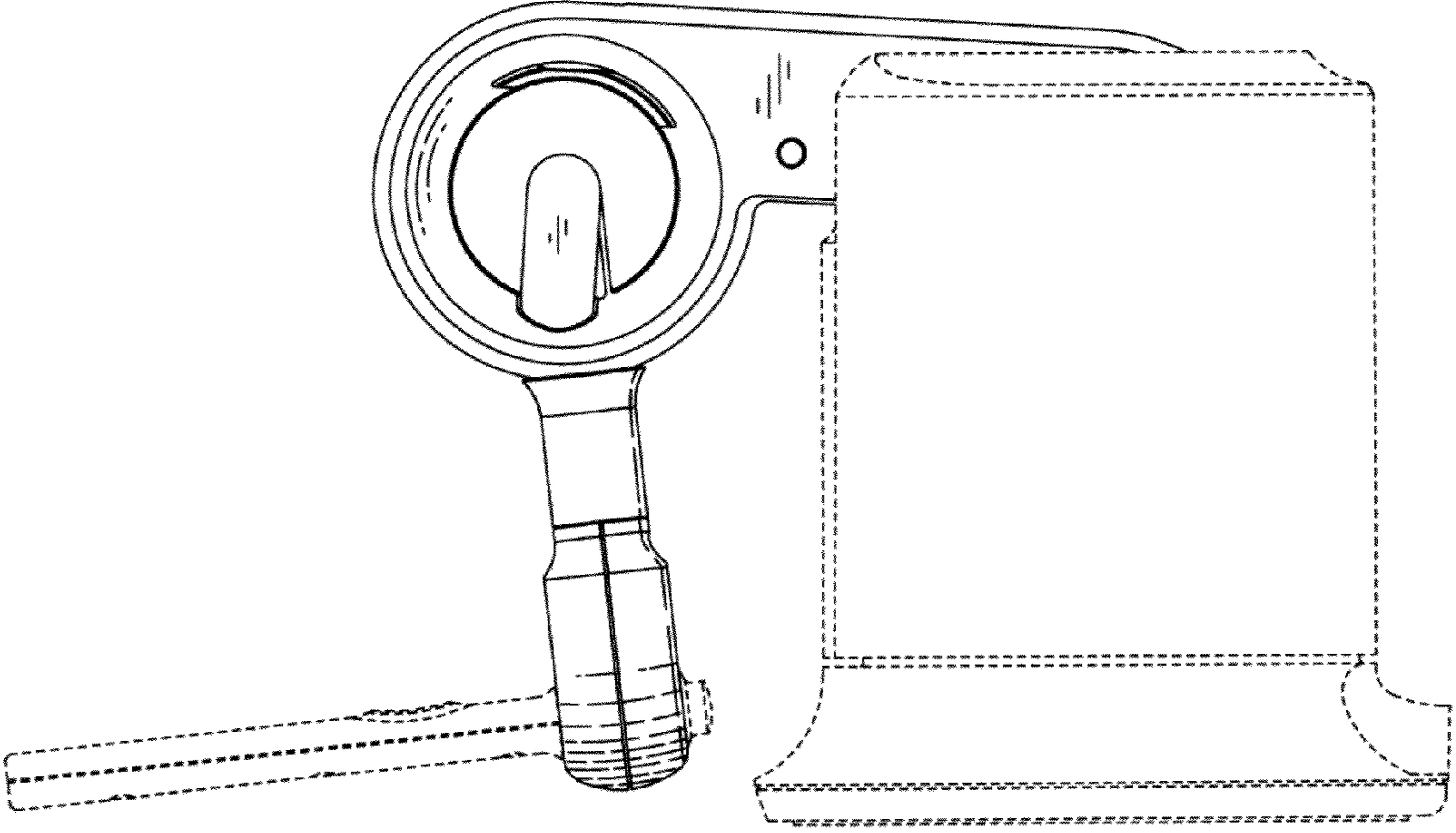


FIG. 2

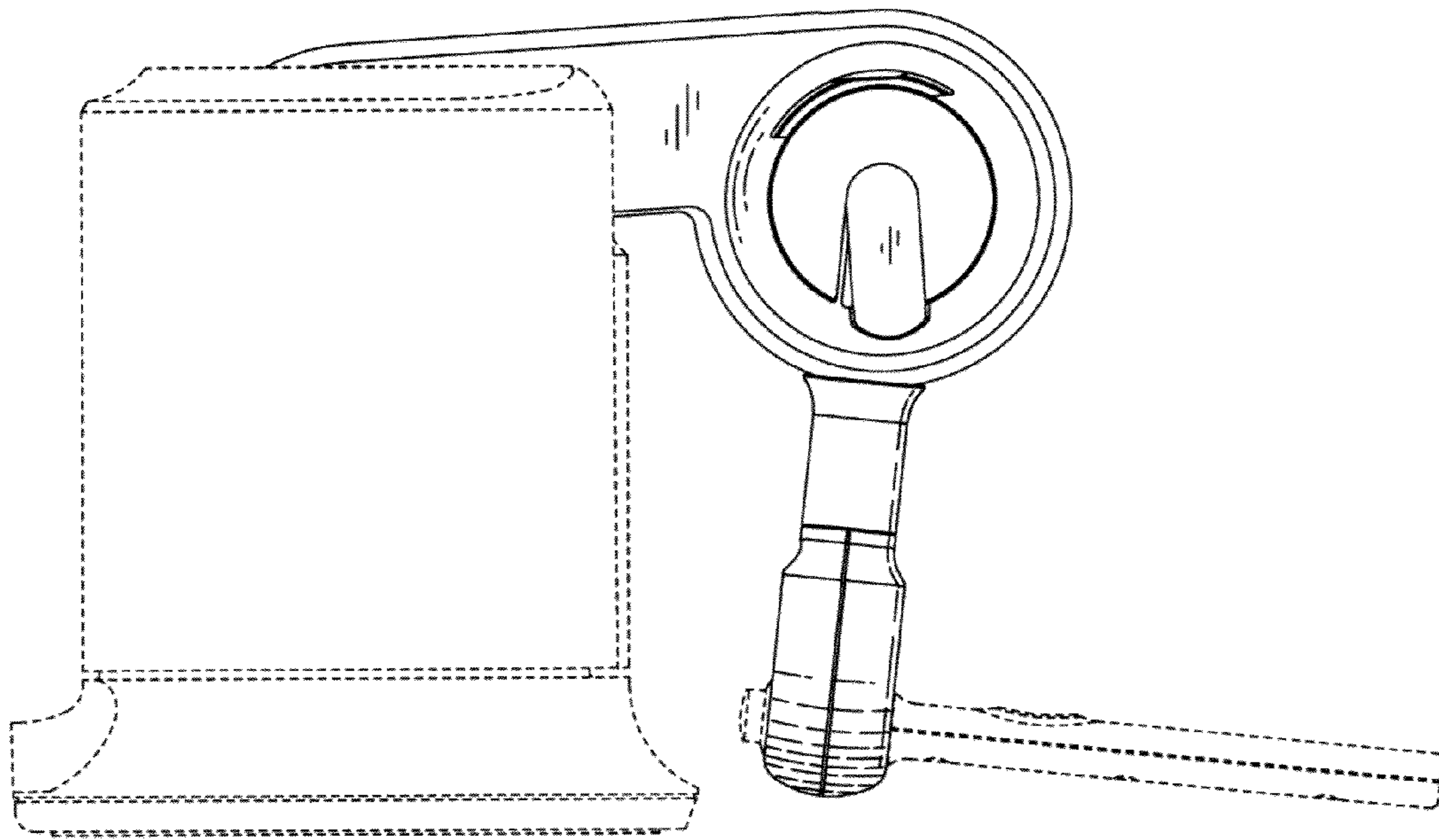


FIG. 3

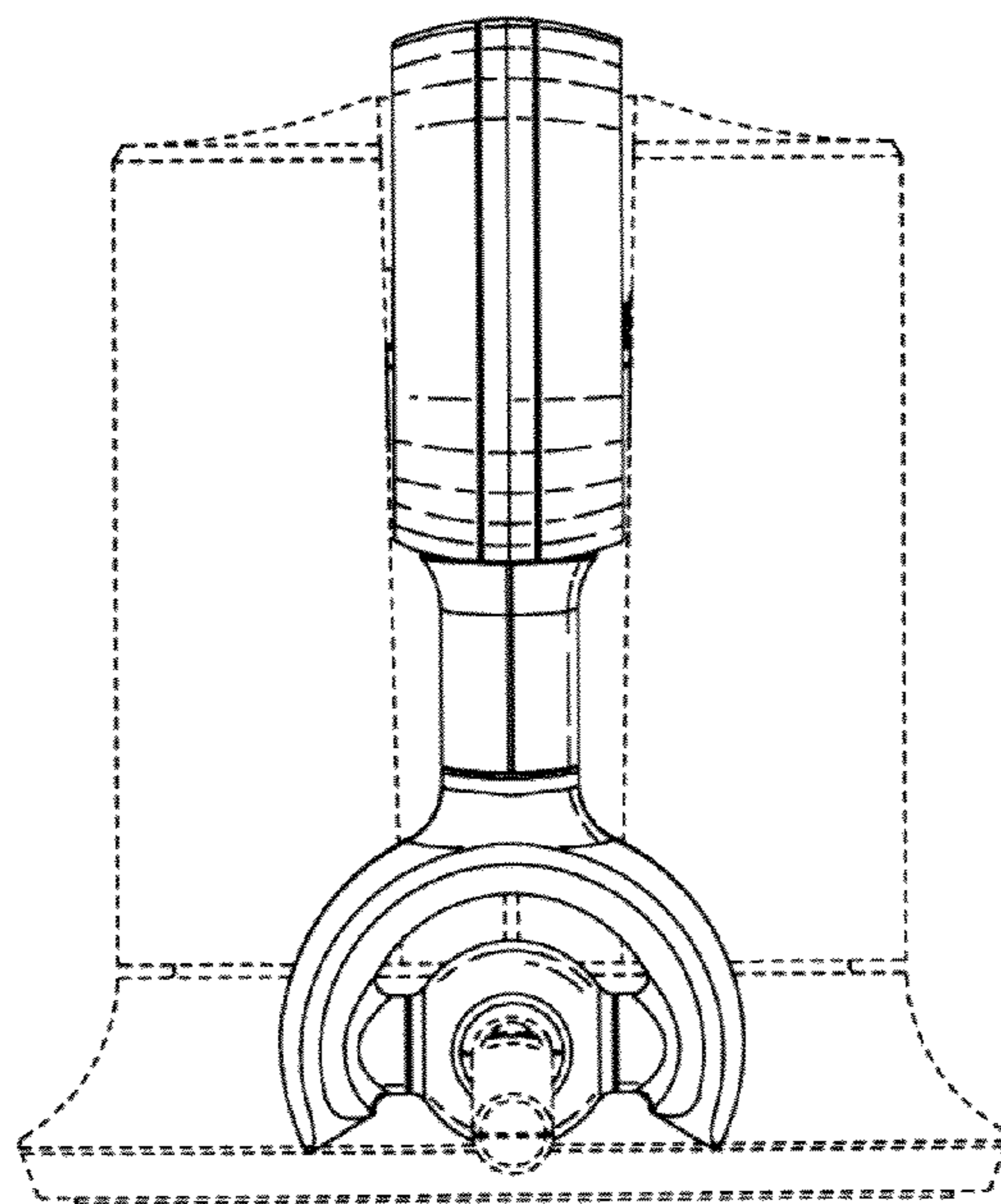


FIG. 4



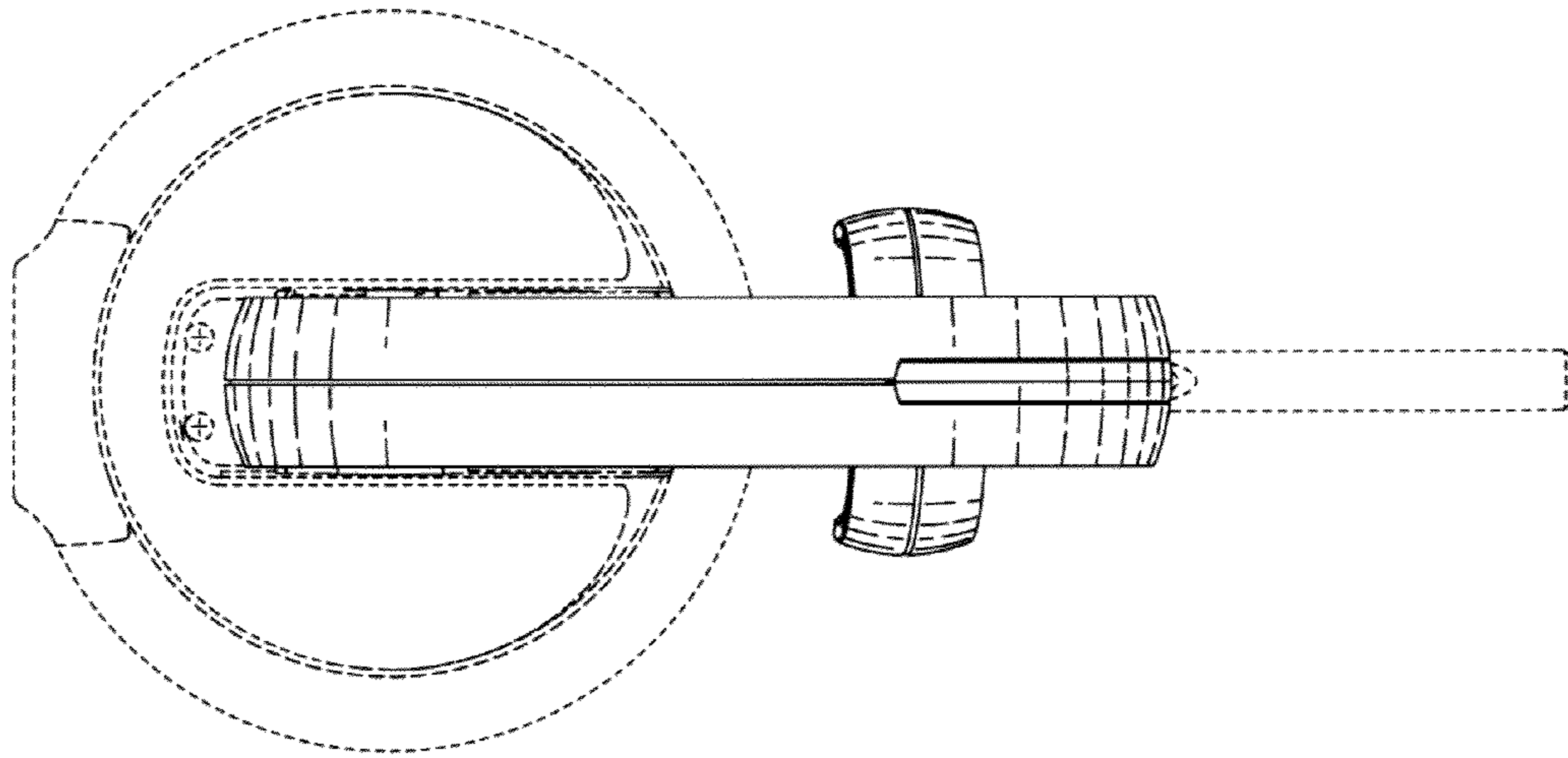


FIG. 5

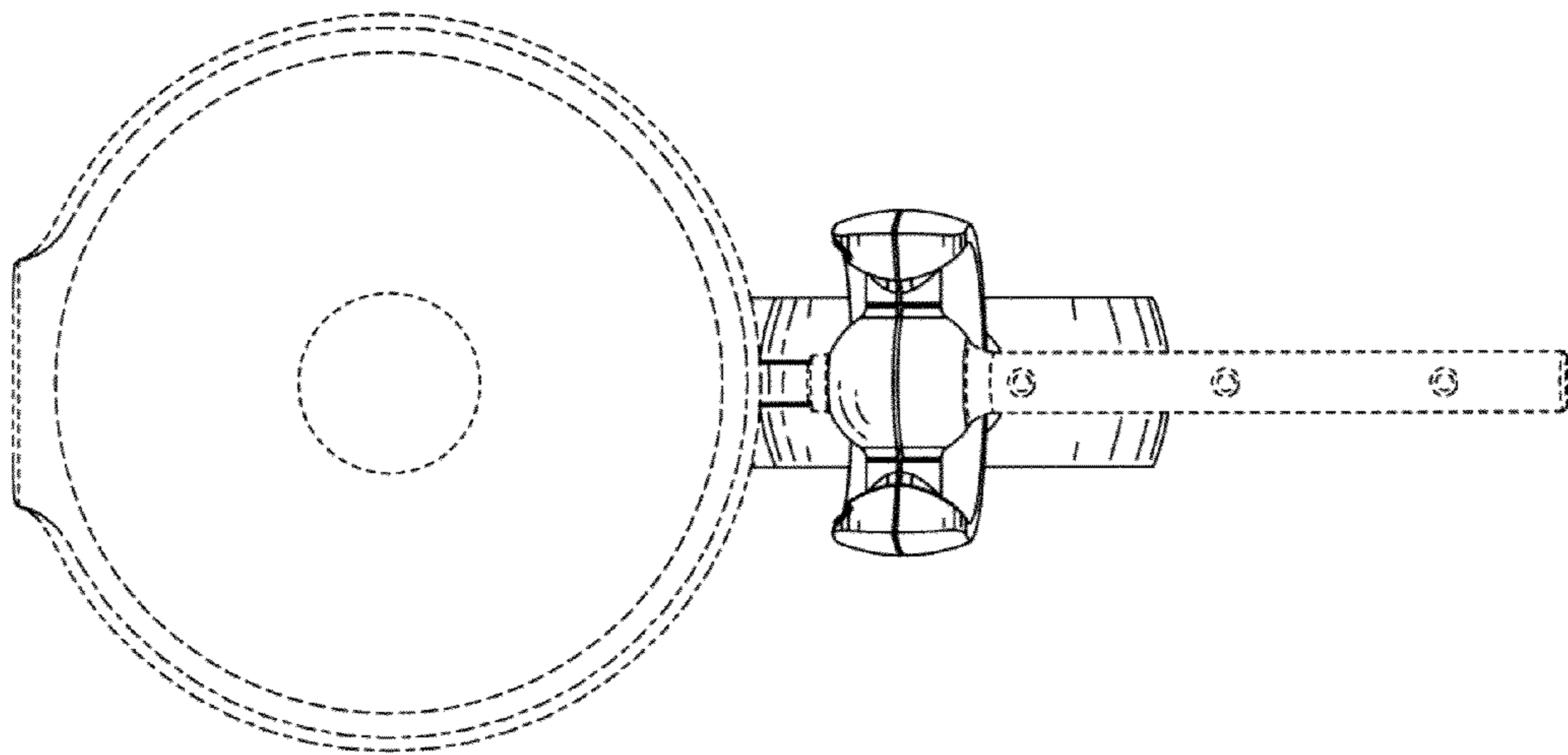


FIG. 6