



US00D717298S

(12) **United States Design Patent**
Sale et al.

(10) **Patent No.:** **US D717,298 S**
(45) **Date of Patent:** **** Nov. 11, 2014**

(54) **DISPLAY DEVICE**

(56) **References Cited**

(71) Applicant: **Diversionary Therapy Technologies Pty Ltd, Toowong (AU)**
(72) Inventors: **Robert Charles Sale, Pullenvale (AU); Mark Robert Guthrie, Pullenvale (AU); John Voltin, Austin, TX (US); Brooke M. Davis, Austin, TX (US)**
(73) Assignee: **DTT (Holdings) Pty Ltd (AU)**
(**) Term: **14 Years**
(21) Appl. No.: **29/439,870**
(22) Filed: **Dec. 17, 2012**

U.S. PATENT DOCUMENTS

D434,399 S *	11/2000	Lanet	D14/130
D456,371 S *	4/2002	Lavelle et al.	D14/132
D462,957 S *	9/2002	Ekelund	D14/336
D482,031 S *	11/2003	Lin	D14/371
D517,513 S *	3/2006	Peng	D14/129
D538,766 S *	3/2007	Hsiung	D14/132
D574,893 S *	8/2008	Bucolo et al.	D20/10
D607,347 S *	1/2010	Goh et al.	D10/46
D632,396 S *	2/2011	Kasabach et al.	D24/186
D634,232 S *	3/2011	Kelly et al.	D11/3
D647,810 S *	11/2011	Bohrer	D10/106.9
D660,368 S *	5/2012	Podd	D20/42
2002/0089414 A1 *	7/2002	Boggs et al.	340/286.11

* cited by examiner

Primary Examiner — Barbara Fox

(74) *Attorney, Agent, or Firm* — Barnes & Thornburg LLP

(30) **Foreign Application Priority Data**

Jul. 18, 2012 (AU)	13392/2012
Jul. 18, 2012 (AU)	13393/2012
Jul. 18, 2012 (AU)	13394/2012

(57) **CLAIM**

The ornamental design for a display device, as shown and described.

(51) **LOC (10) Cl.** **14-02**

(52) **U.S. Cl.**
USPC **D14/371; D24/107**

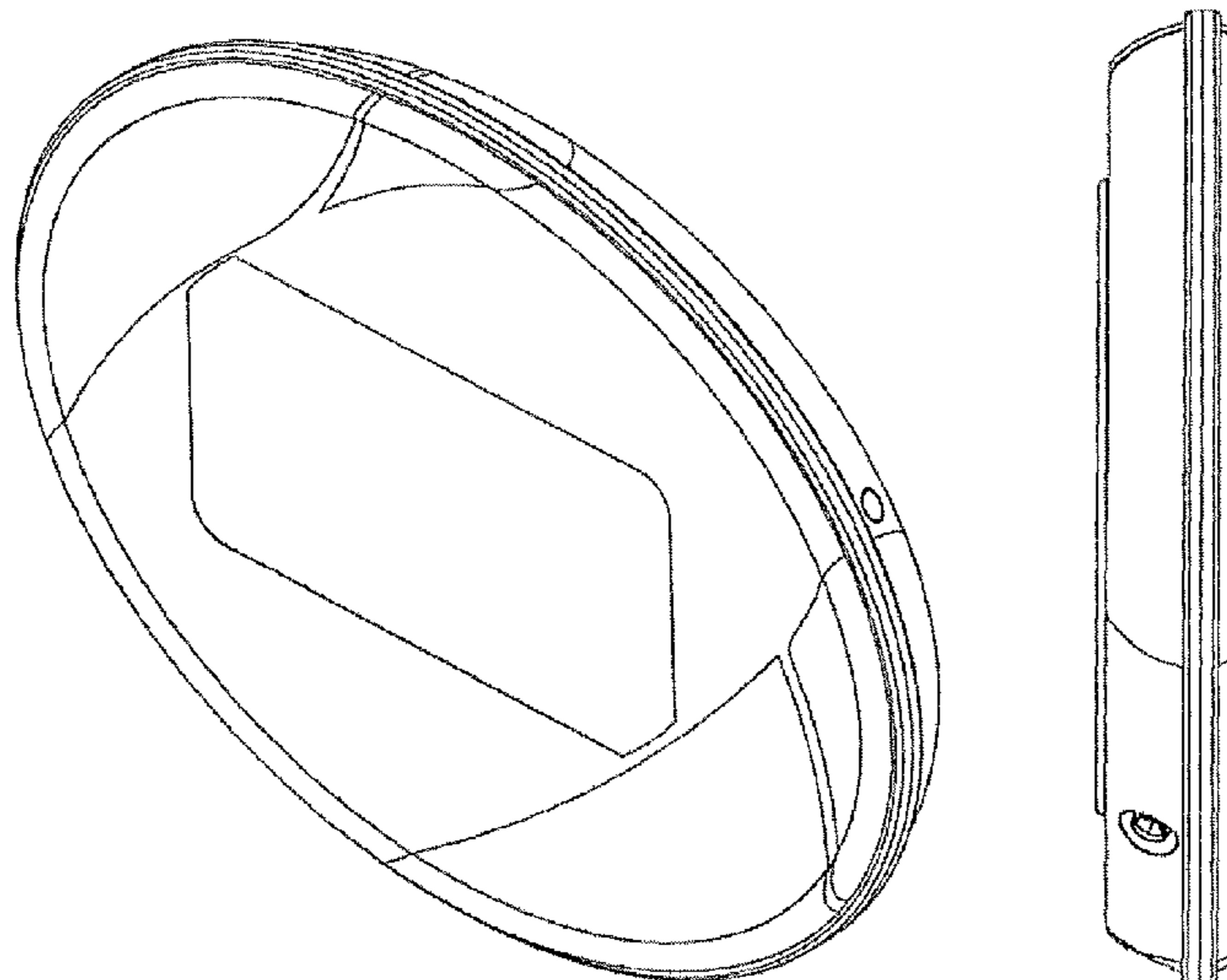
(58) **Field of Classification Search**
USPC D14/341-347, 137, 138 R, 138 AA, D14/138 C, 138 G, 496, 203.1, 203.3, 203.4, D14/203.7, 129, 130, 147, 218, 248, 389, D14/388, 426, 420; D10/65, 104.1; D18/6-7; D21/324, 329, 330; 455/556.1, 556.2, 566, 575.1, 90.3; 379/433.04, 433.01, 433.06, 916; 345/173, 901, 905; 361/679.26, 679.3, 361/679.55, 679.56

DESCRIPTION

FIG. 1 is an isometric view of the front of a display device showing the new design,
FIG. 2 is an isometric view from the rear thereof,
FIG. 3 is a front elevational view thereof,
FIG. 4 is a rear elevational view thereof,
FIG. 5 is a top plan view thereof,
FIG. 6 is a bottom plan view thereof,
FIG. 7 is an elevational view of the left side thereof; and,
FIG. 8 is an elevational view of the right side thereof.
The features shown in broken lines are not part of the design.

See application file for complete search history.

1 Claim, 3 Drawing Sheets



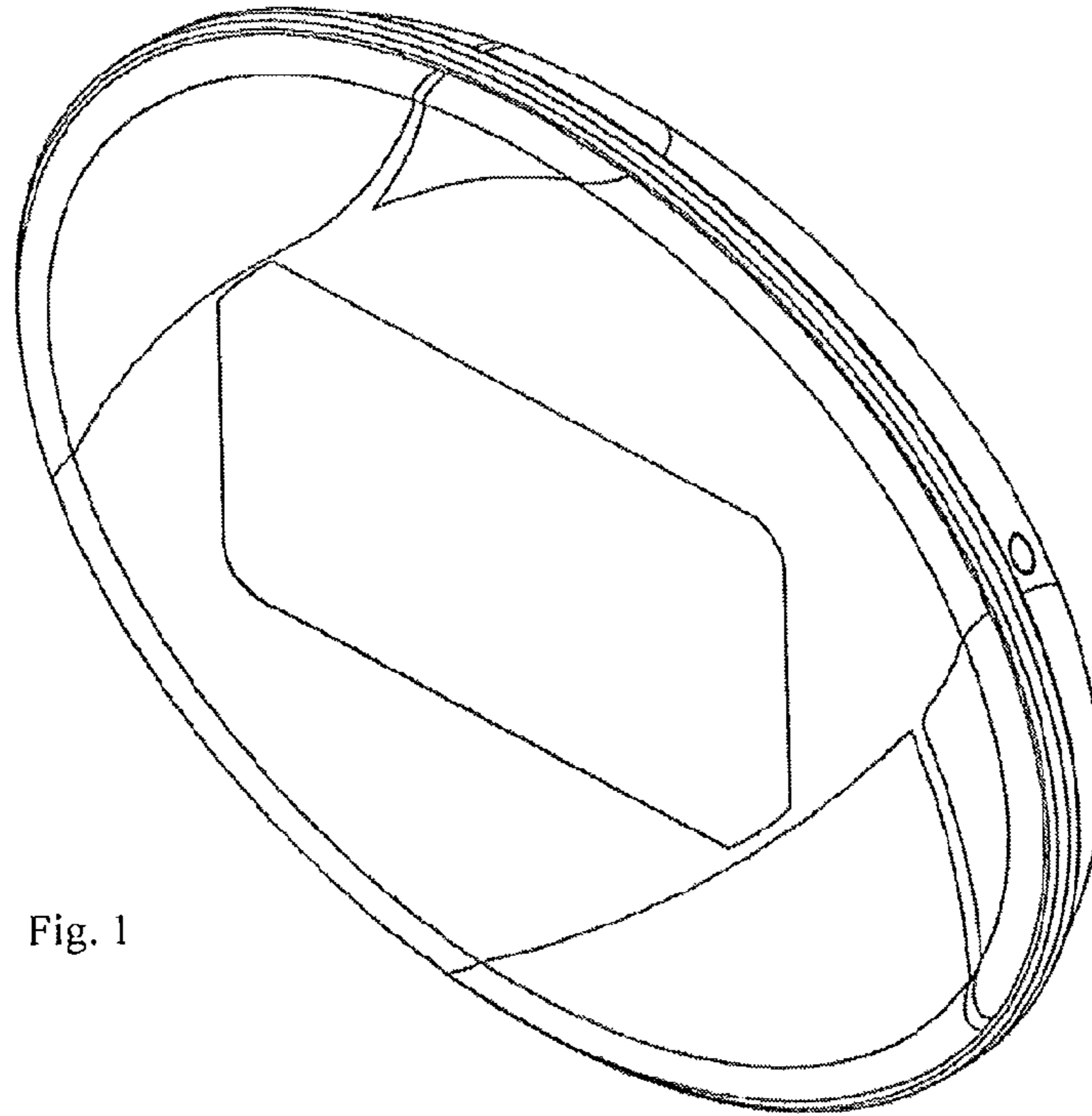


Fig. 1

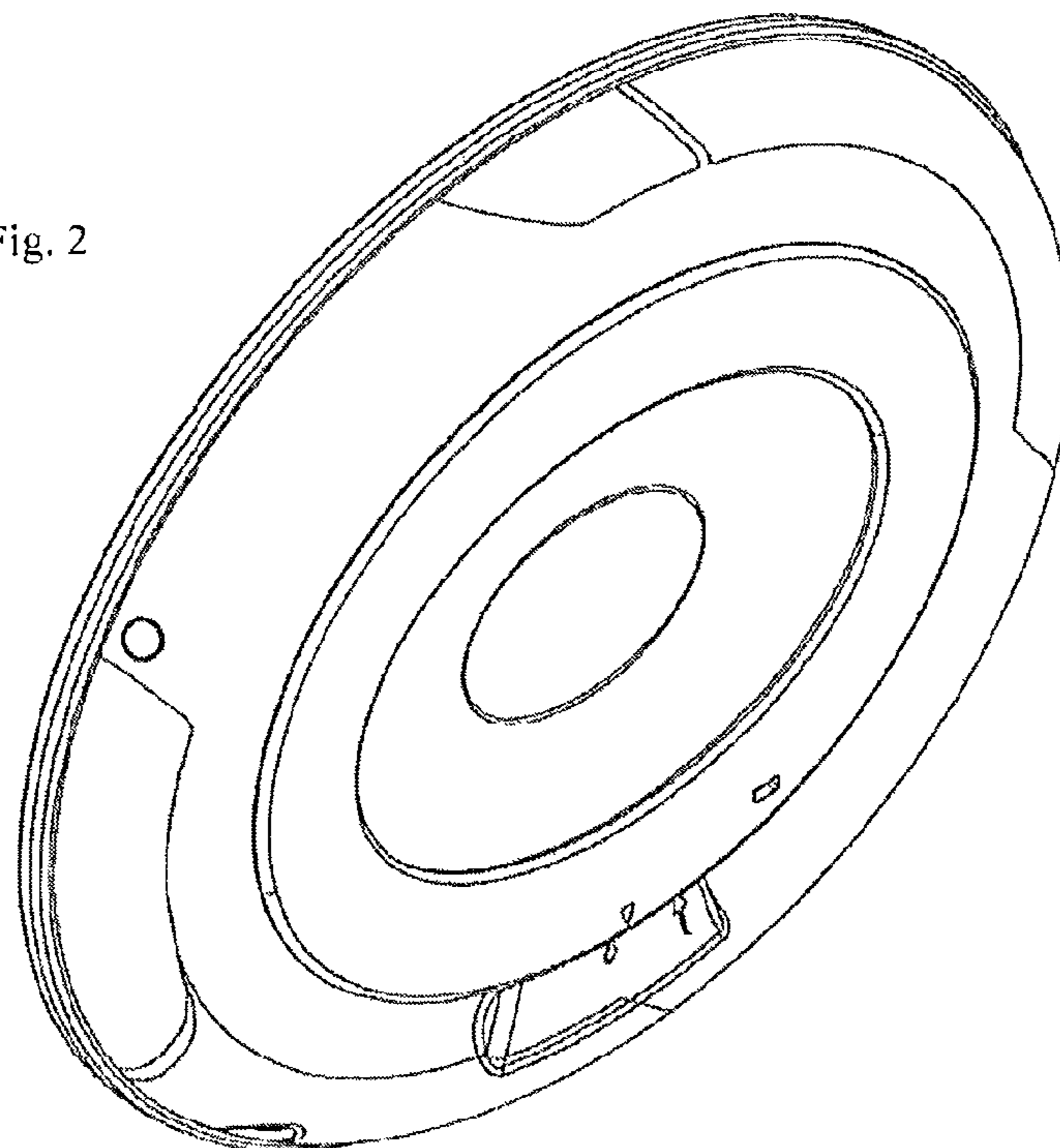


Fig. 2

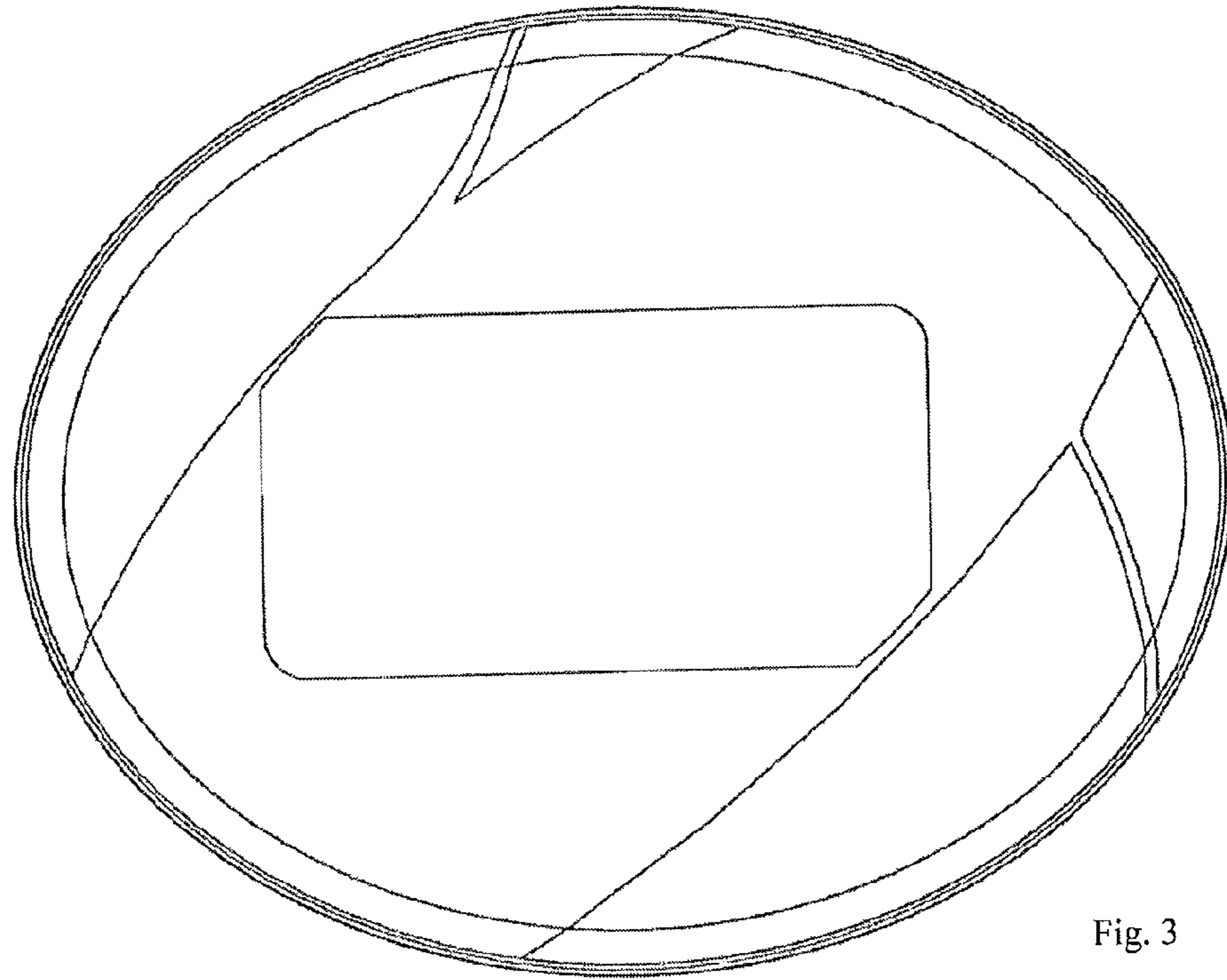


Fig. 3

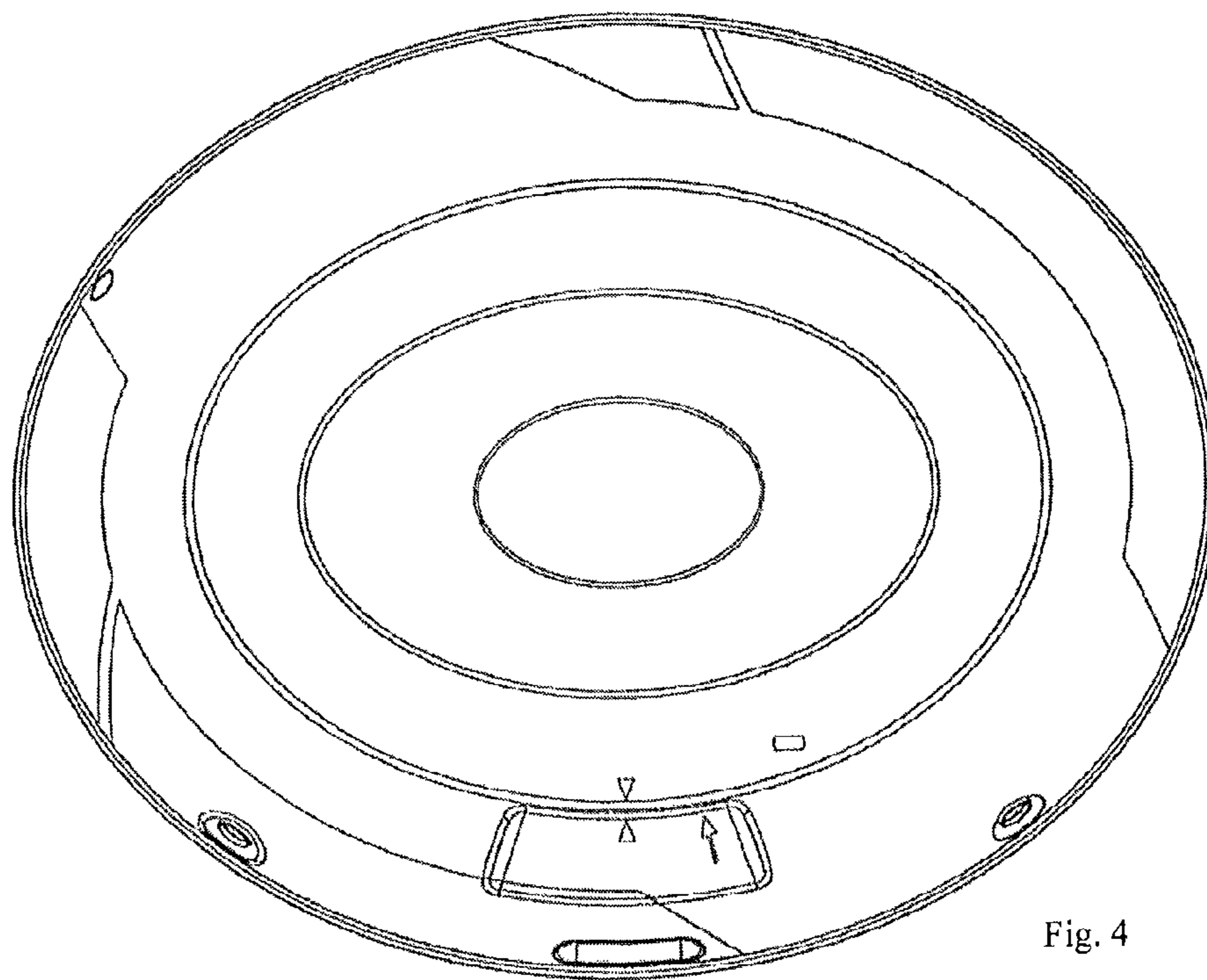


Fig. 4

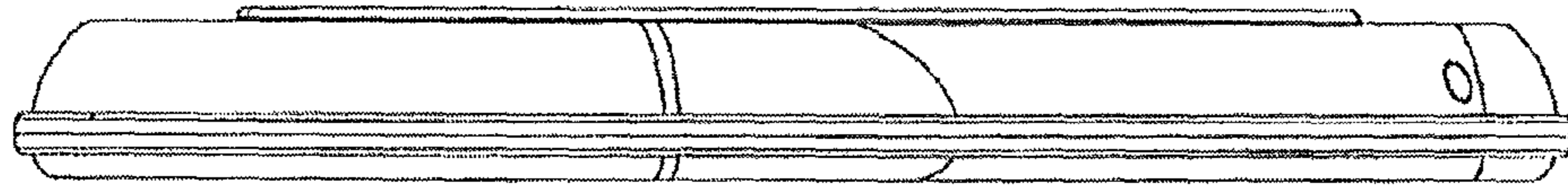


Fig. 5

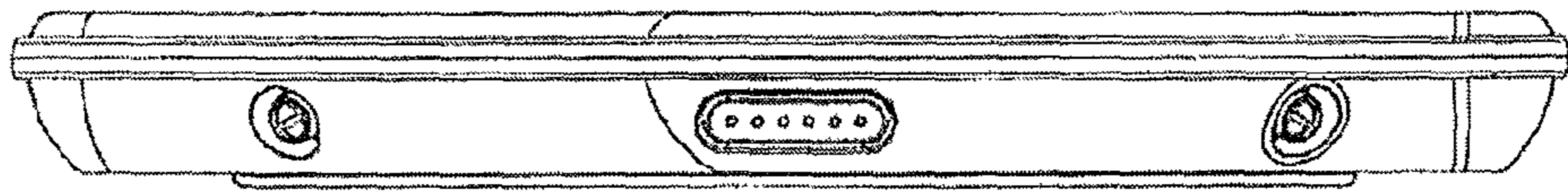


Fig. 6

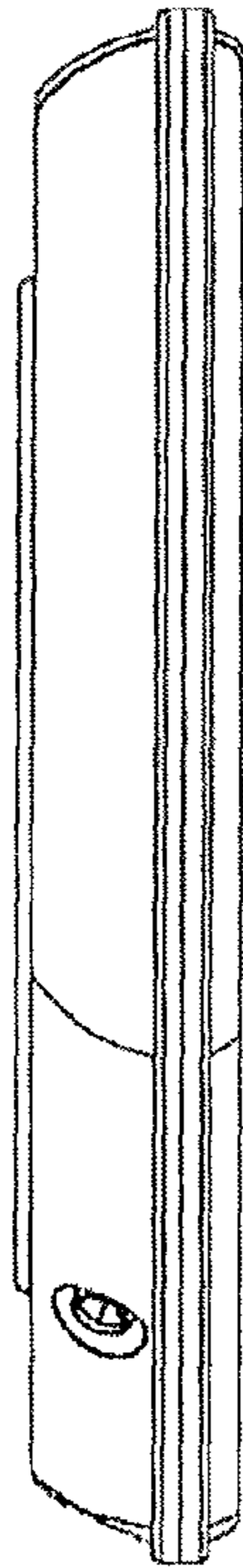


Fig. 7

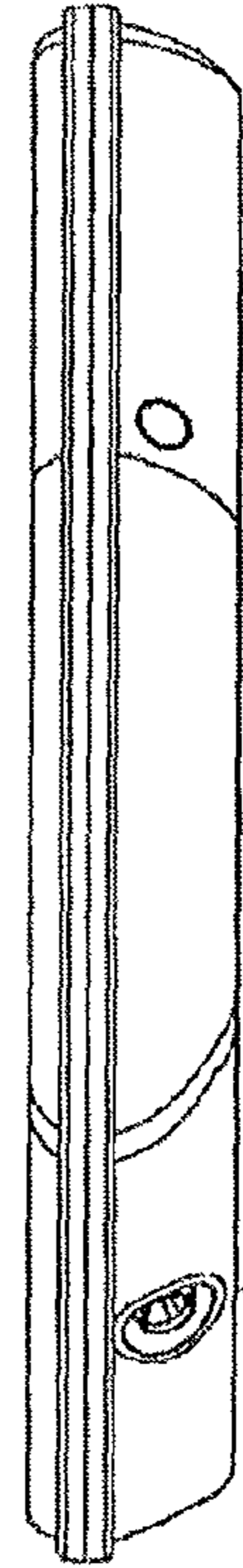


Fig. 8