



US00D717296S

(12) **United States Design Patent**
Oh et al.

(10) **Patent No.:** **US D717,296 S**

(45) **Date of Patent:** **** Nov. 11, 2014**

(54) **NOTEBOOK COMPUTER**

(71) Applicant: **Samsung Electronics Co., Ltd.**,
Suwon-si (KR)

(72) Inventors: **Se-Hun Oh**, Seoul (KR); **Yeo-Wan Yun**,
Sungnam-Si (KR)

(73) Assignee: **Samsung Electronics Co., Ltd.**,
Suwon-si (KR)

(**) Term: **14 Years**

(21) Appl. No.: **29/453,646**

(22) Filed: **May 1, 2013**

(30) **Foreign Application Priority Data**

Nov. 2, 2012 (KR) 30-2012-0052467

(51) **LOC (10) Cl.** **14-02**

(52) **U.S. Cl.**
USPC **D14/316**

(58) **Field of Classification Search**
CPC G06F 1/1632
USPC D14/315-327; D18/1, 2, 7, 11;
235/145 A, 145 R; 341/22, 23; 345/104,
345/156, 168, 169, 173; 361/679.08,
361/679.09, 679.11, 679.26, 679.27,
361/679.55, 679.59

See application file for complete search history.

(56) **References Cited**

U.S. PATENT DOCUMENTS

5,267,123 A * 11/1993 Boothroyd et al. 361/679.09
5,900,848 A * 5/1999 Haneda et al. 345/1.1
6,714,403 B2 * 3/2004 Furuki et al. 361/679.09
D528,541 S * 9/2006 Maskatia D14/315
D621,827 S * 8/2010 Cheng et al. D14/327
D649,543 S * 11/2011 Tseng et al. D14/315

2003/0227742 A1 * 12/2003 Lam et al. 361/683
2005/0063145 A1 * 3/2005 Homer et al. 361/683
2008/0024388 A1 * 1/2008 Bruce 345/1.1

* cited by examiner

Primary Examiner — Freda S Nunn

(74) *Attorney, Agent, or Firm* — NSIP Law

(57) **CLAIM**

The ornamental design for a notebook computer, as shown and described.

DESCRIPTION

FIG. 1 is a front perspective view of a notebook computer, showing our new design;

FIG. 2 is a front view thereof;

FIG. 3 is a rear view thereof;

FIG. 4 is a left-side view thereof;

FIG. 5 is a right-side view thereof;

FIG. 6 is a top plan view thereof;

FIG. 7 is a bottom plan view thereof;

FIG. 8 is a top-front perspective view of the notebook computer of FIG. 1, in which a display part of the notebook computer rotates on a hinge in a first position shown by FIG. 8;

FIG. 9 is a rear perspective view of the notebook computer of FIG. 1, in which a display part of the notebook computer rotates on a hinge in a second position shown by FIG. 9; and,

FIG. 10 is a top-rear perspective view of the notebook computer of FIG. 1, in which a display part of the notebook computer rotates on a hinge in a third position shown by FIG. 10.

The broken lines are for environmental purposes only and form no part of the claimed design. The shade lines in the figures show contour and not surface ornamentation.

1 Claim, 7 Drawing Sheets

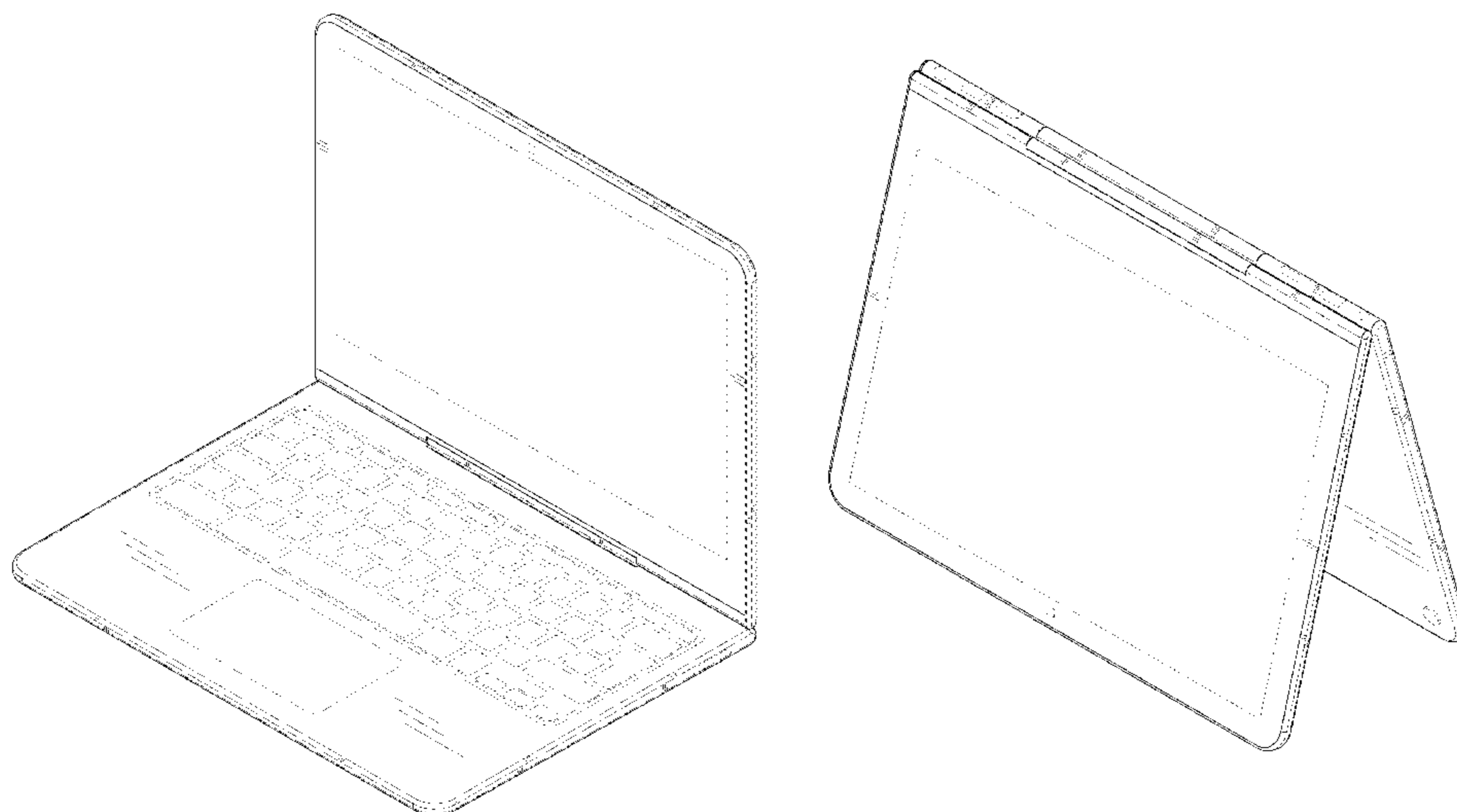


FIG. 1

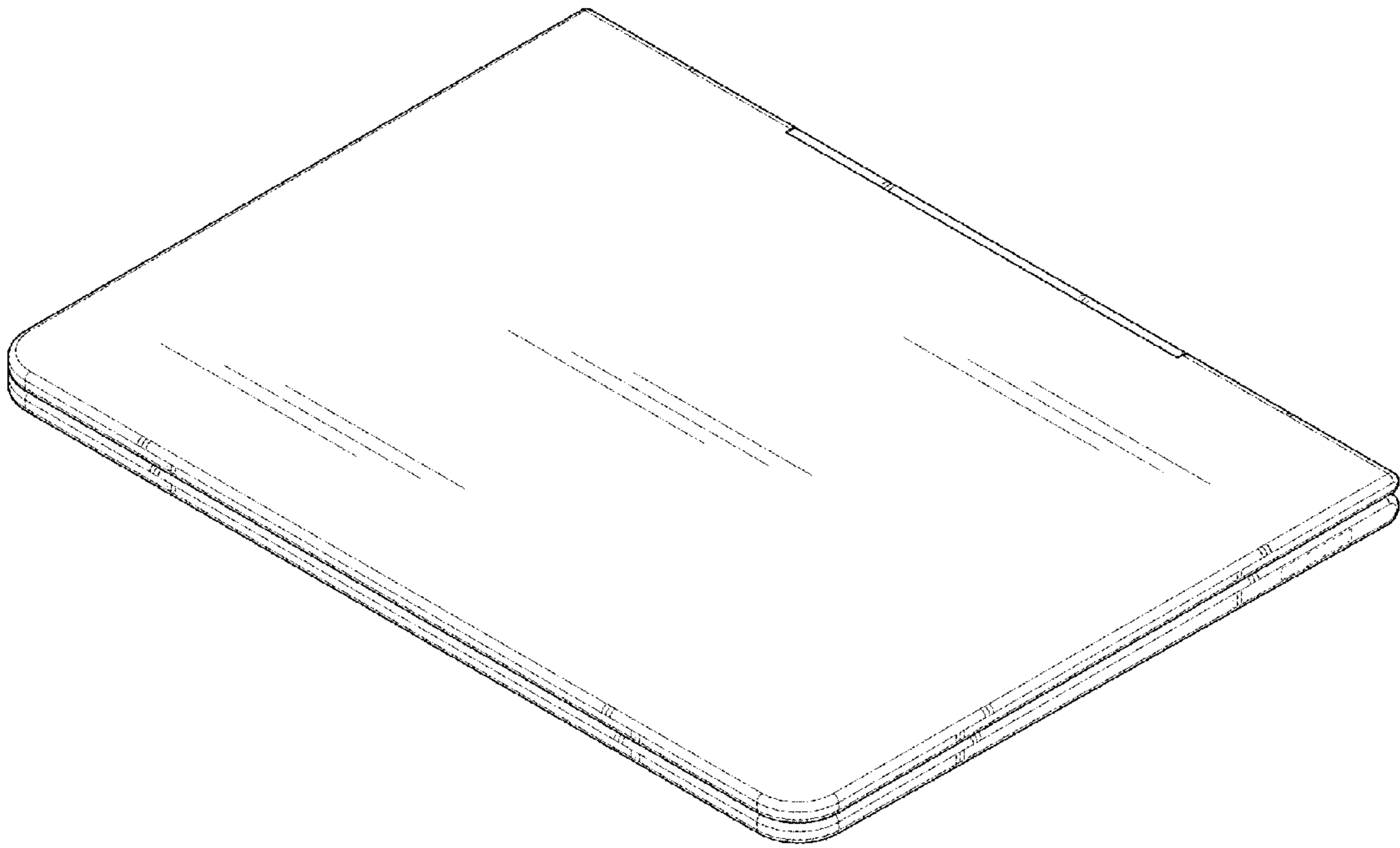


FIG. 2

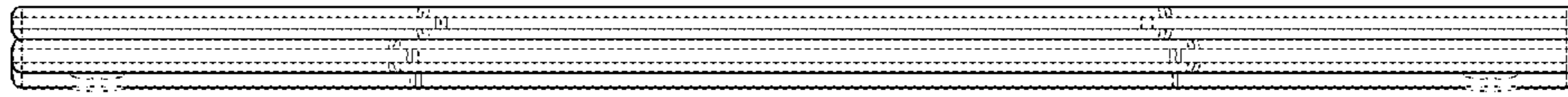


FIG. 3

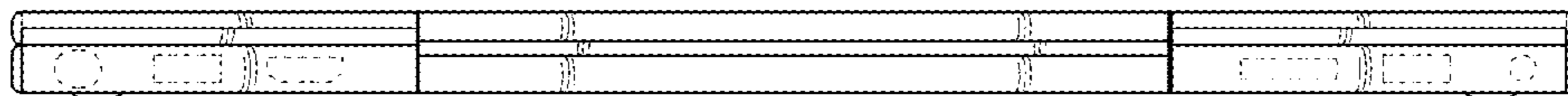


FIG. 4

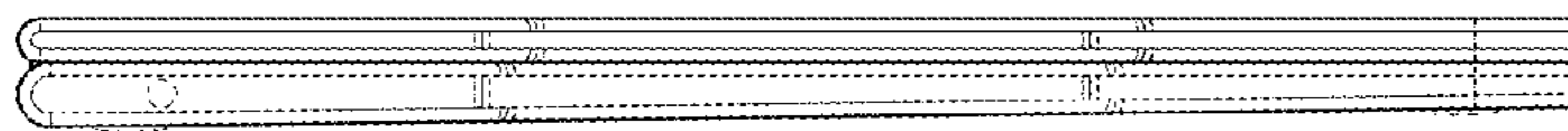


FIG. 5

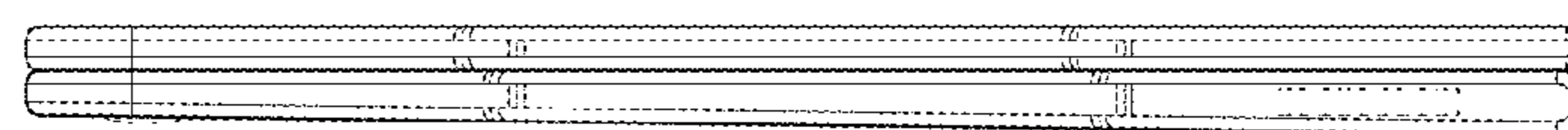


FIG. 6

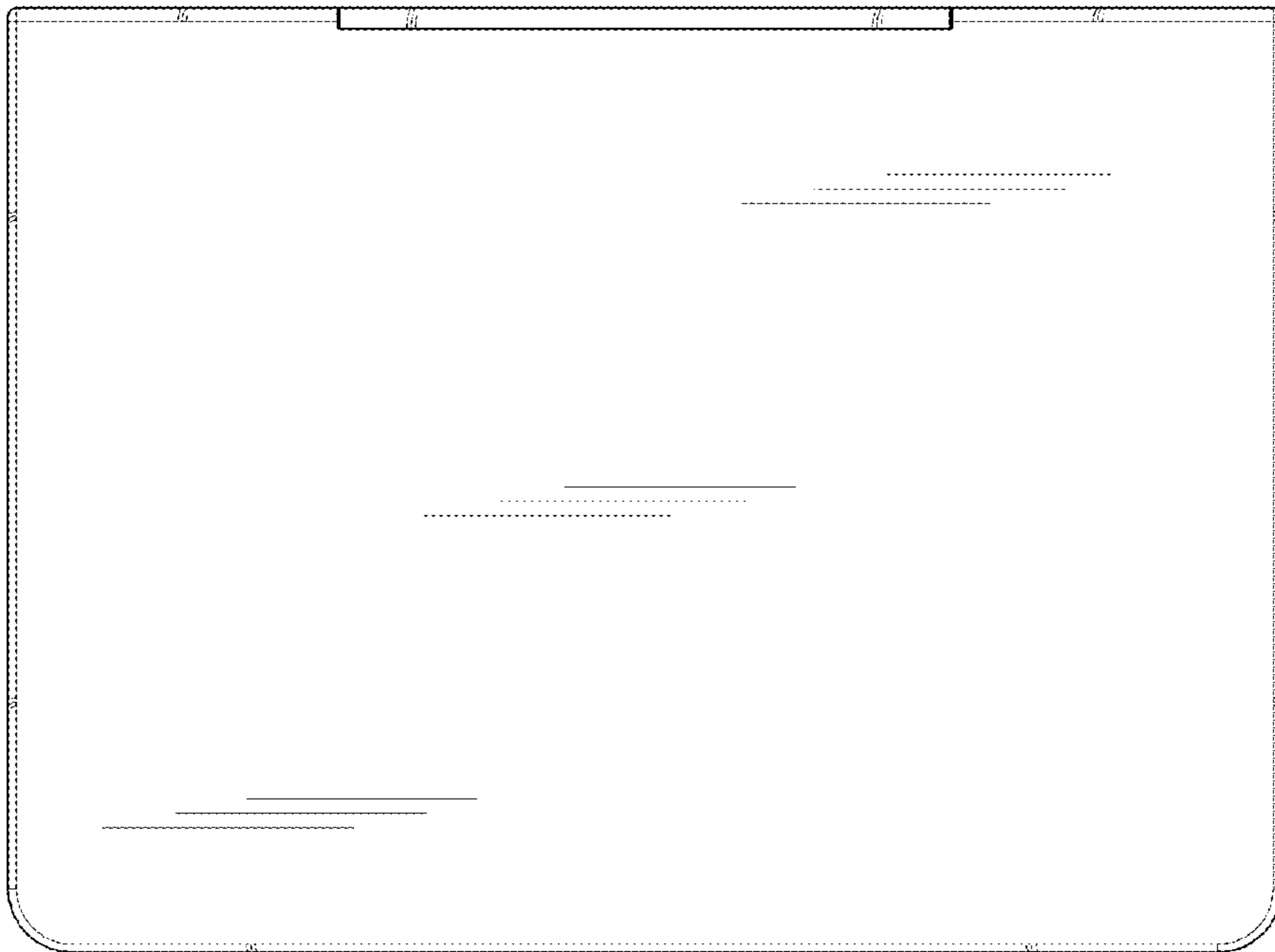


FIG. 7

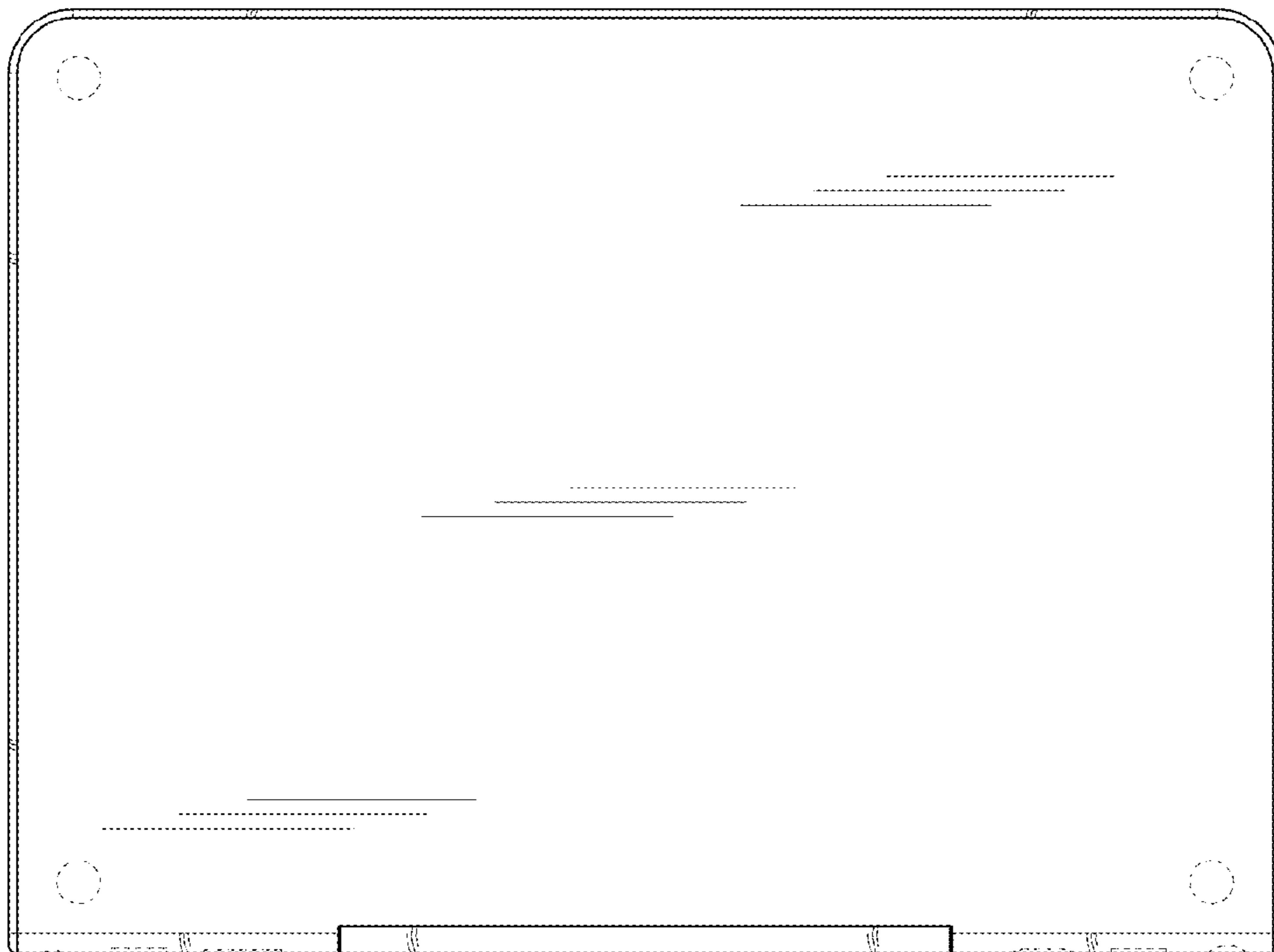


FIG. 8

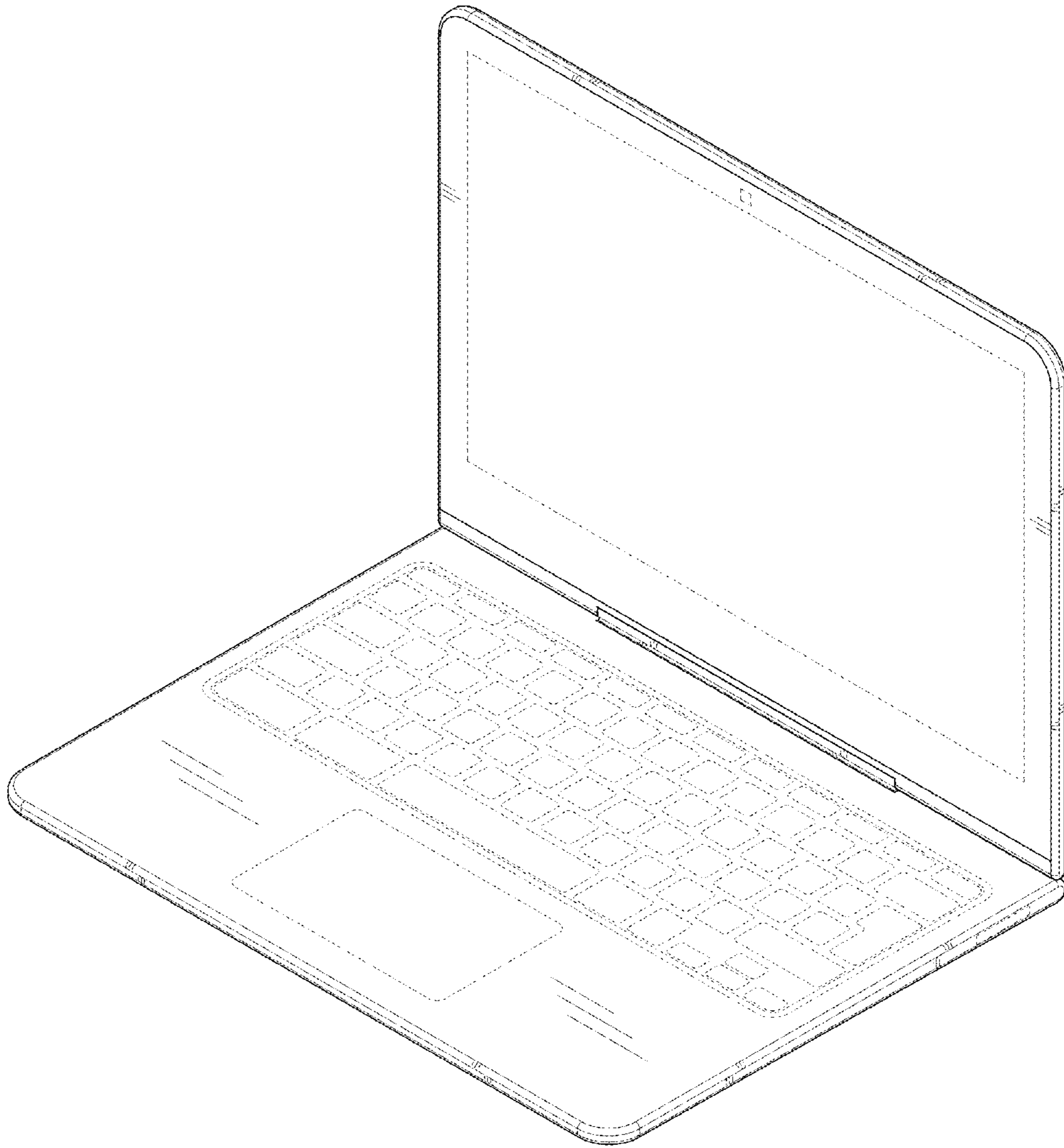


FIG. 9

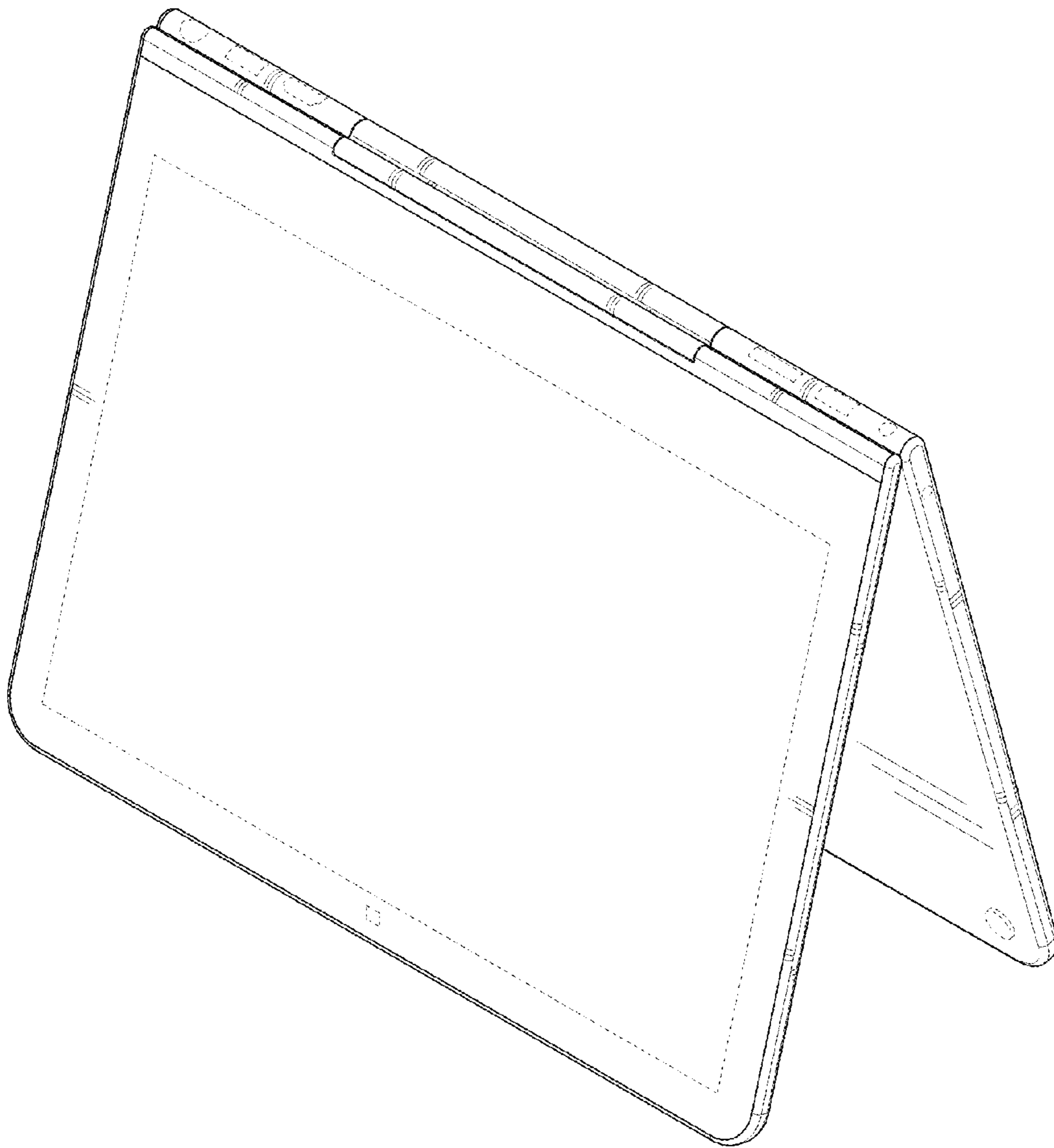


FIG. 10

