



US00D717294S

(12) **United States Design Patent**
Tsusaka et al.

(10) **Patent No.:** **US D717,294 S**

(45) **Date of Patent:** **** Nov. 11, 2014**

(54) **ARITHMETIC AND CONTROL UNIT**

(56) **References Cited**

(71) Applicant: **Fujitsu Limited**, Kawasaki (JP)

U.S. PATENT DOCUMENTS

(72) Inventors: **Nobuharu Tsusaka**, Kawasaki (JP);
Hiroyuki Fujita, Tokyo (JP); **Hisao Morooka**,
Kawasaki (JP); **Eiji Nagao**, Ichikawa (JP);
Mark Friesen, Tokyo (JP); **Toni Koberling**,
München (DE)

D345,964 S *	4/1994	Hultgren et al.	D14/313
D378,515 S *	3/1997	Senshiki	D14/353
D422,272 S *	4/2000	Liang	D14/353
D425,494 S *	5/2000	Okonogi et al.	D14/348
D493,791 S *	8/2004	Liu	D14/368
D643,035 S *	8/2011	Chen et al.	D14/349
D647,087 S *	10/2011	Chen et al.	D14/348
2003/0007429 A1 *	1/2003	Cheng	369/30.26

(73) Assignee: **Fujitsu Limited**, Kawasaki (JP)

* cited by examiner

(**) Term: **14 Years**

Primary Examiner — Freda S Nunn

(21) Appl. No.: **29/454,069**

(74) *Attorney, Agent, or Firm* — Staas & Halsey LLP

(22) Filed: **May 6, 2013**

(57) **CLAIM**

The ornamental design for an arithmetic and control unit, as shown and described.

(30) **Foreign Application Priority Data**

DESCRIPTION

Nov. 6, 2012 (JP) 2012-027031

FIG. 1 is a perspective view of front, top and right side of an arithmetic and control unit showing our new design;

(51) **LOC (10) Cl.** **14-02**

FIG. 2 is a front view thereof;

(52) **U.S. Cl.**

FIG. 3 is a rear view thereof;

USPC **D14/314**

FIG. 4 is a left side view thereof;

(58) **Field of Classification Search**

FIG. 5 is a right side view thereof;

USPC 263/300, 308, 314, 348-358, 365;
D13/162, 184, 199; 312/223.1-223.3,
312/351.11; 360/99.01-99.12;
369/34.01-36.01; 361/679.6,
361/679.31-679.33, 679.58

FIG. 6 is a top view thereof;

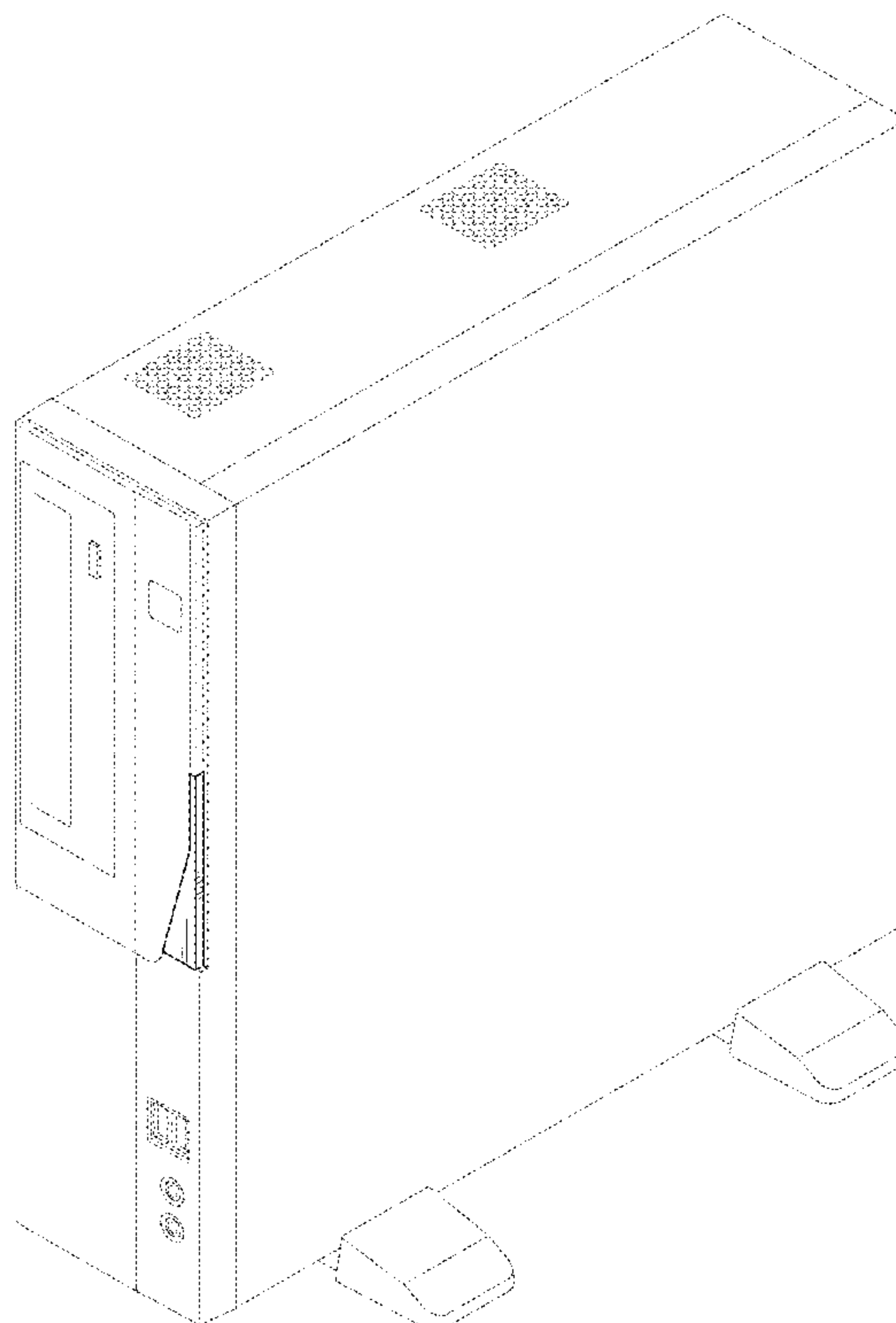
FIG. 7 is a bottom view thereof; and,

FIG. 8 is an enlarged view taken along line 8-8' in FIG. 2.

Broken lines shown in the drawings illustrate portions of the arithmetic and control unit and form no part of the claimed design.

See application file for complete search history.

1 Claim, 6 Drawing Sheets



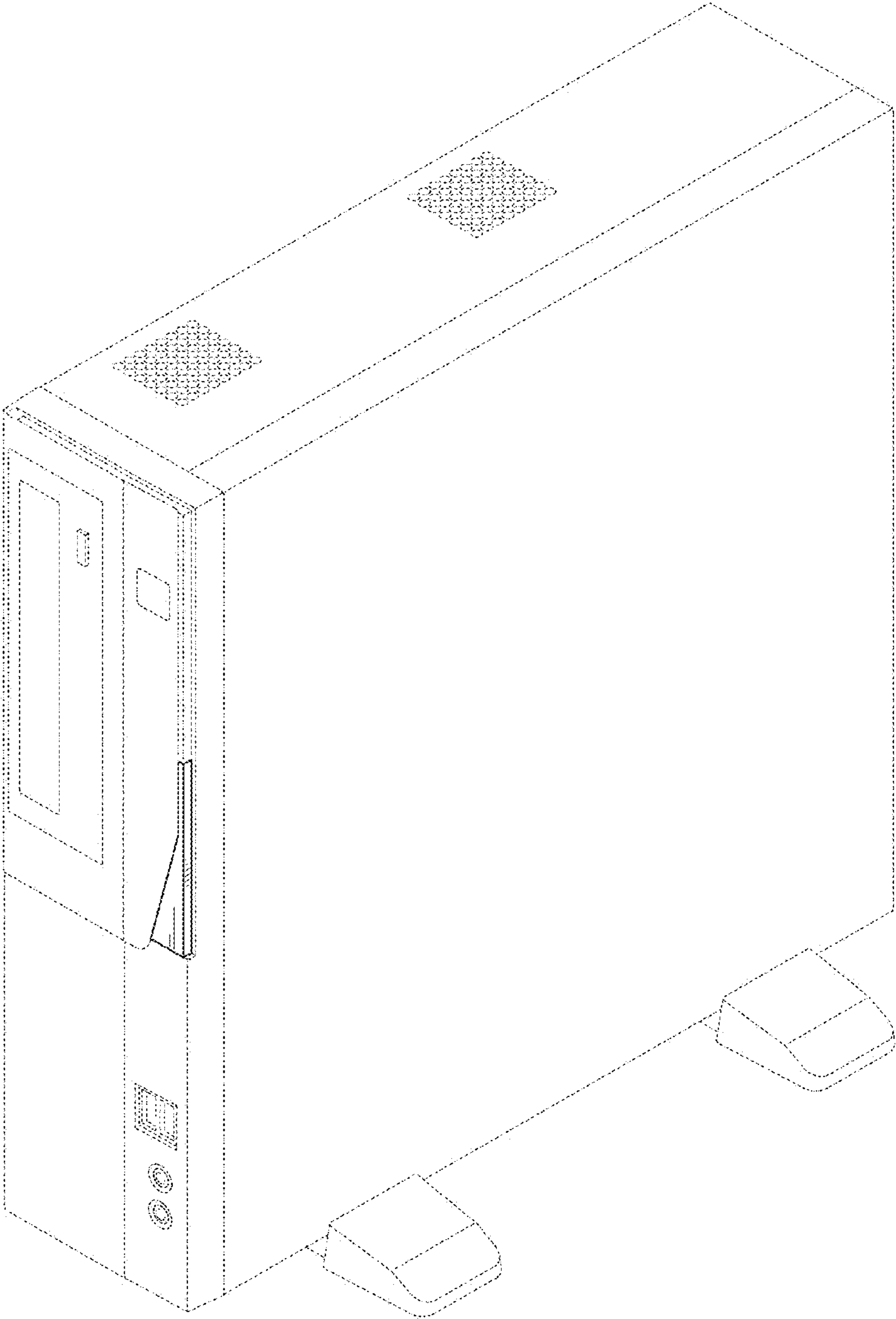


FIG. 1

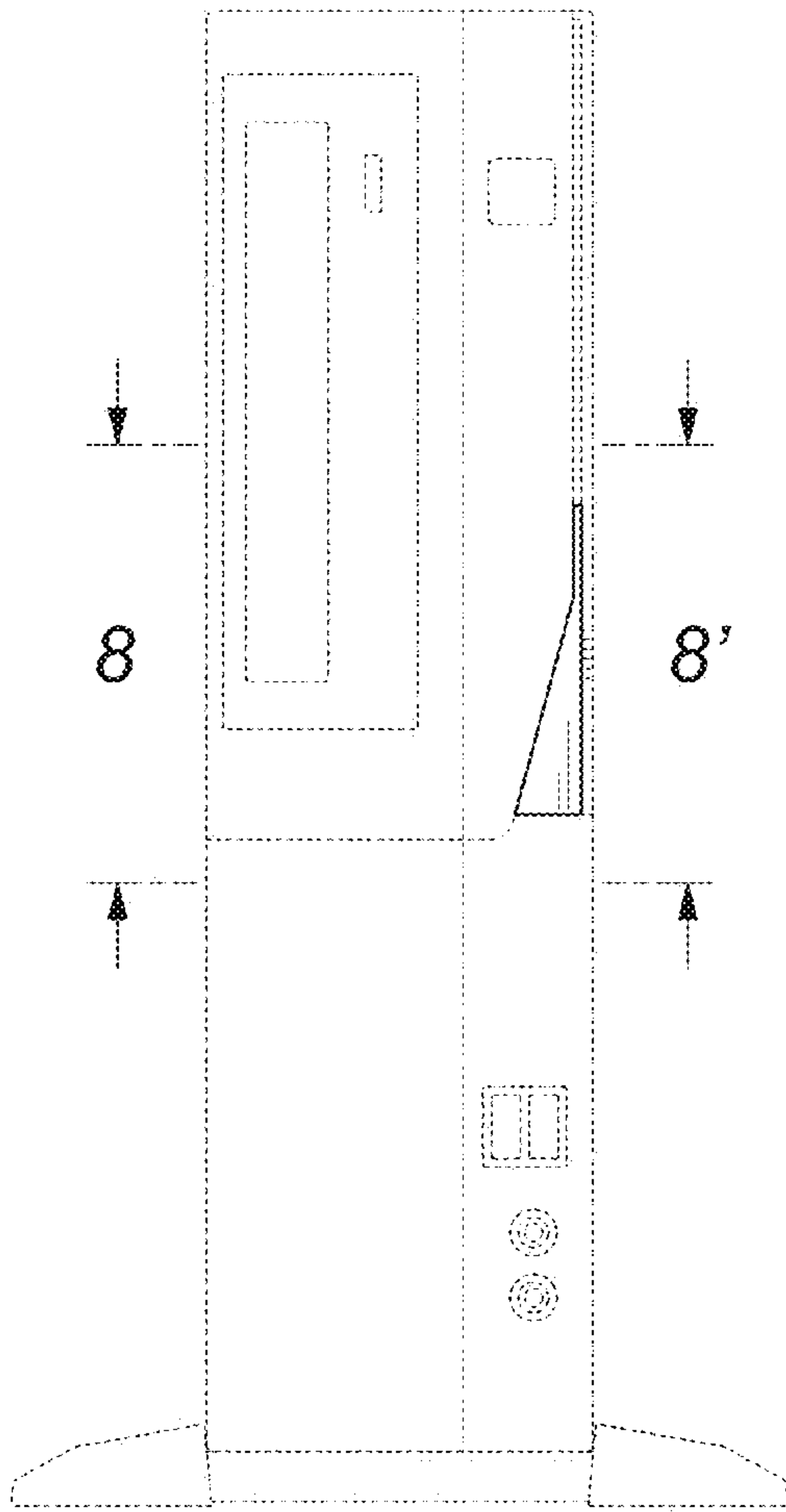


FIG. 2

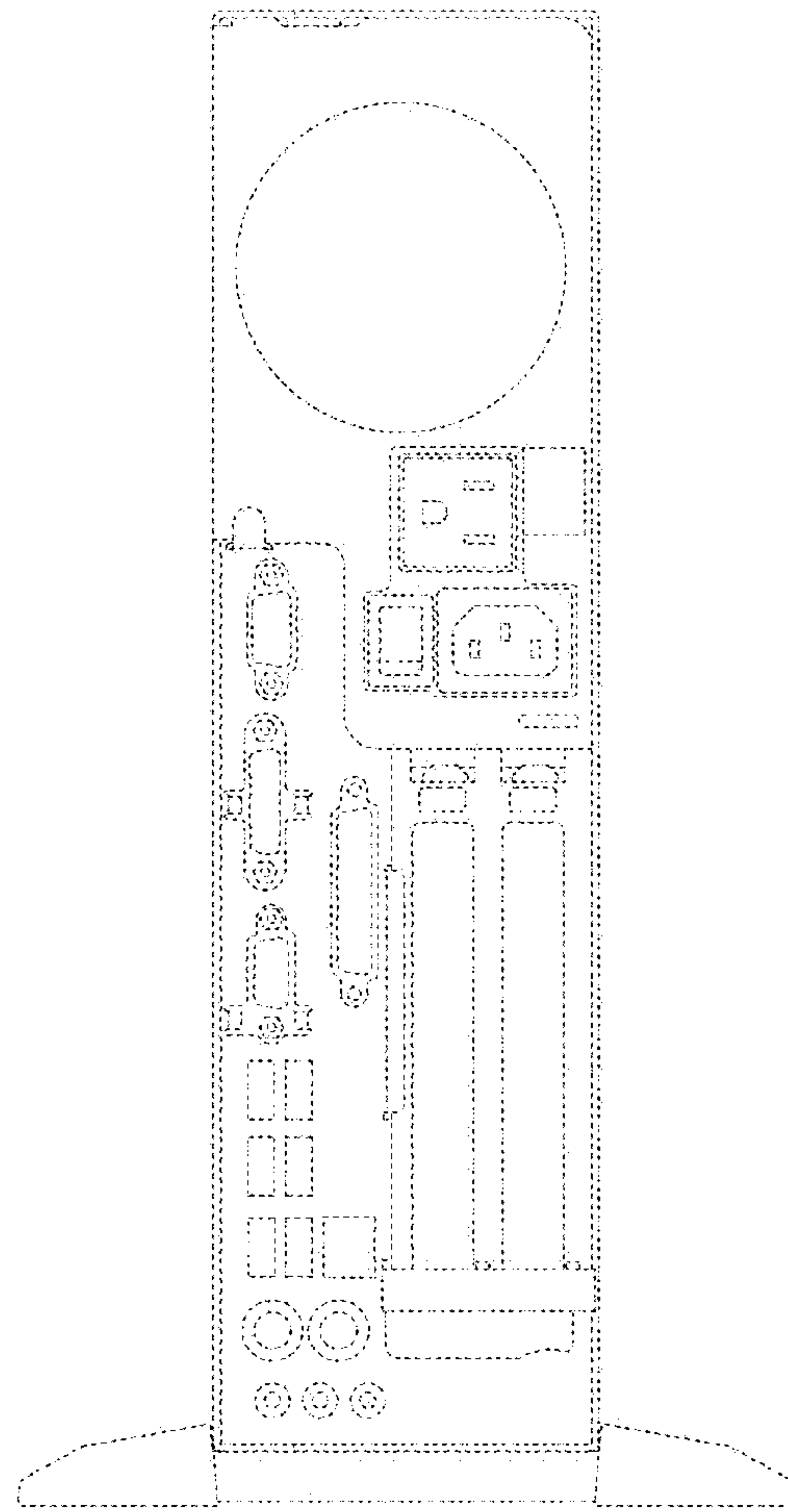


FIG. 3

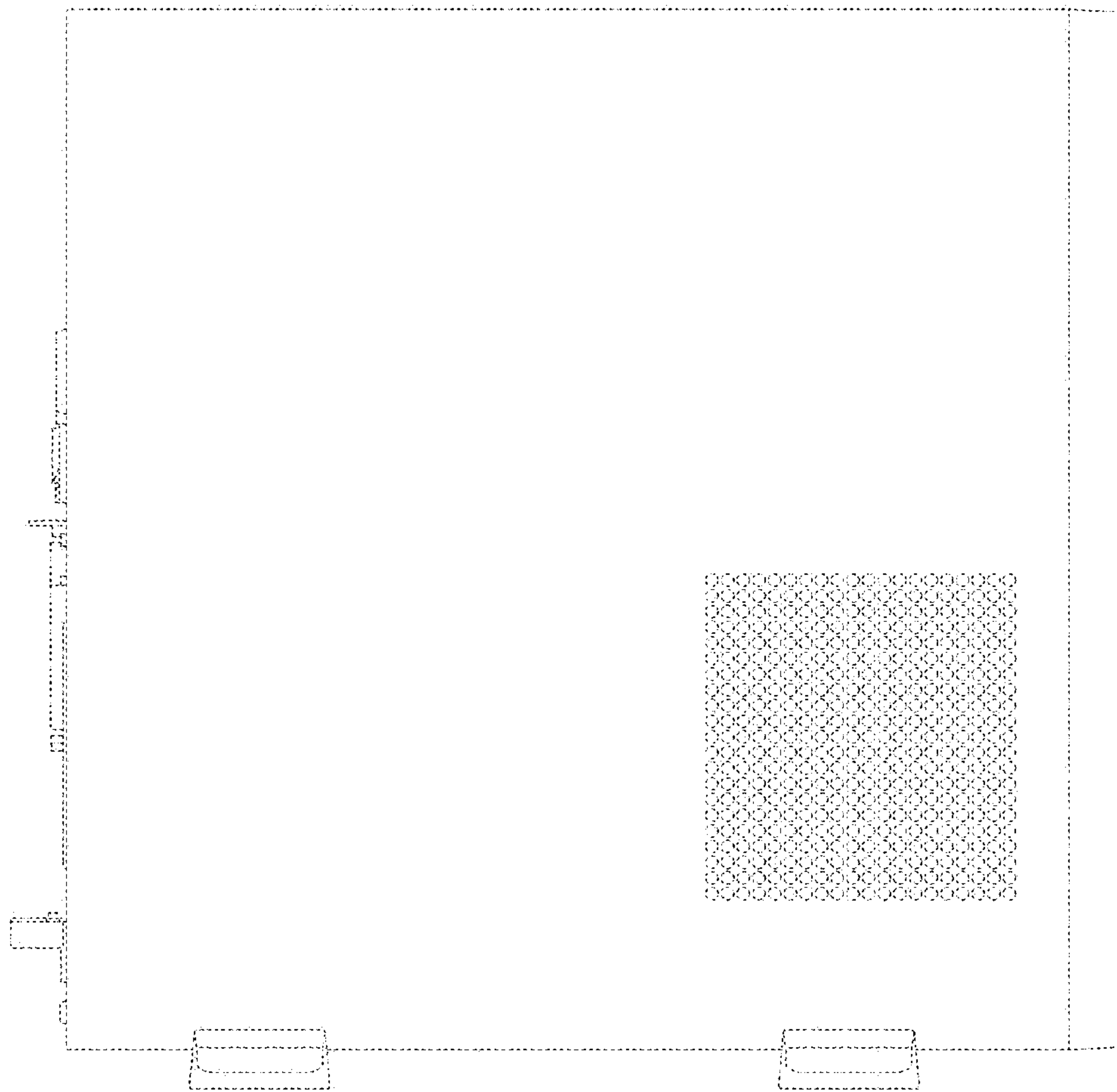


FIG. 4

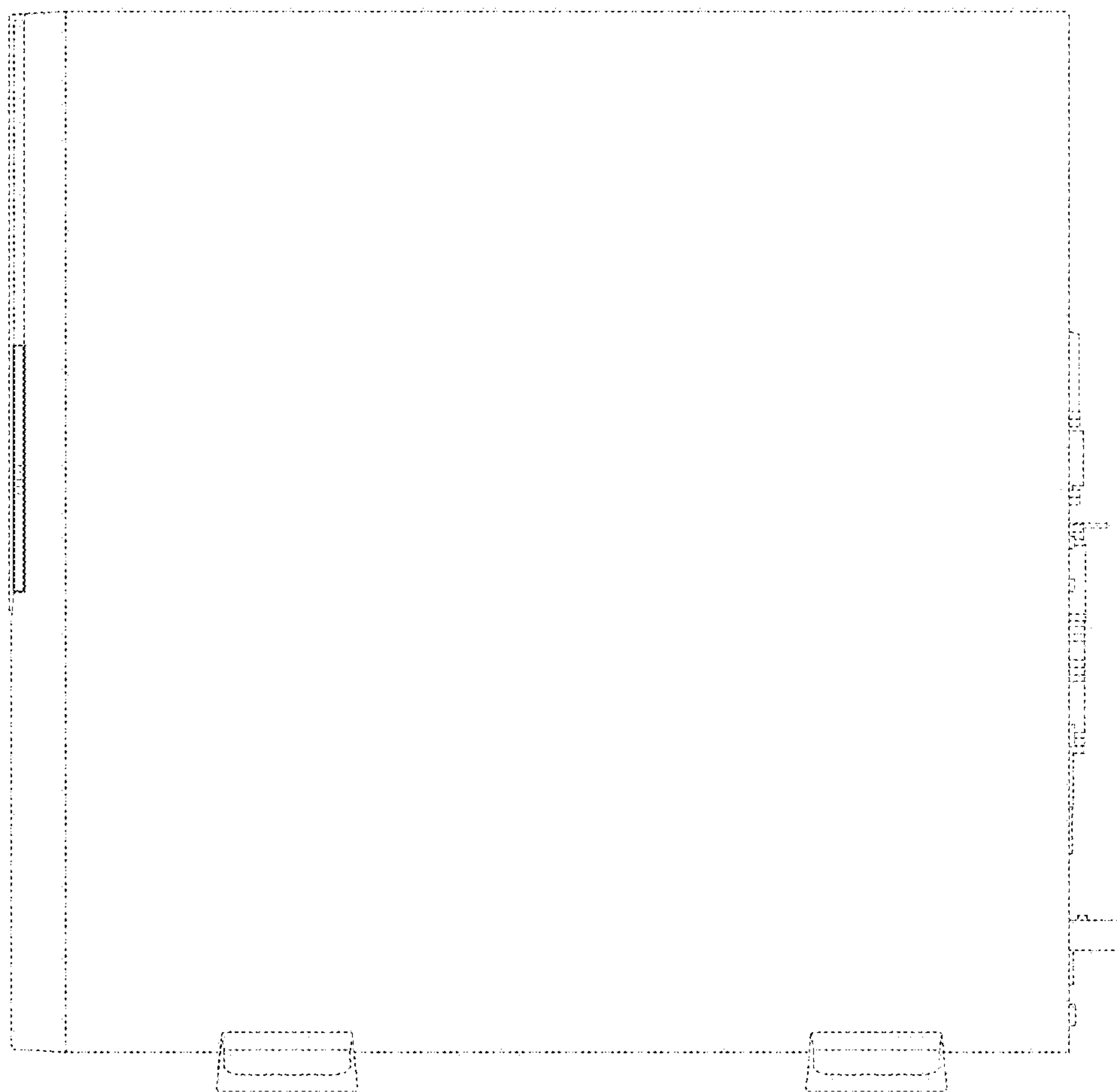


FIG. 5

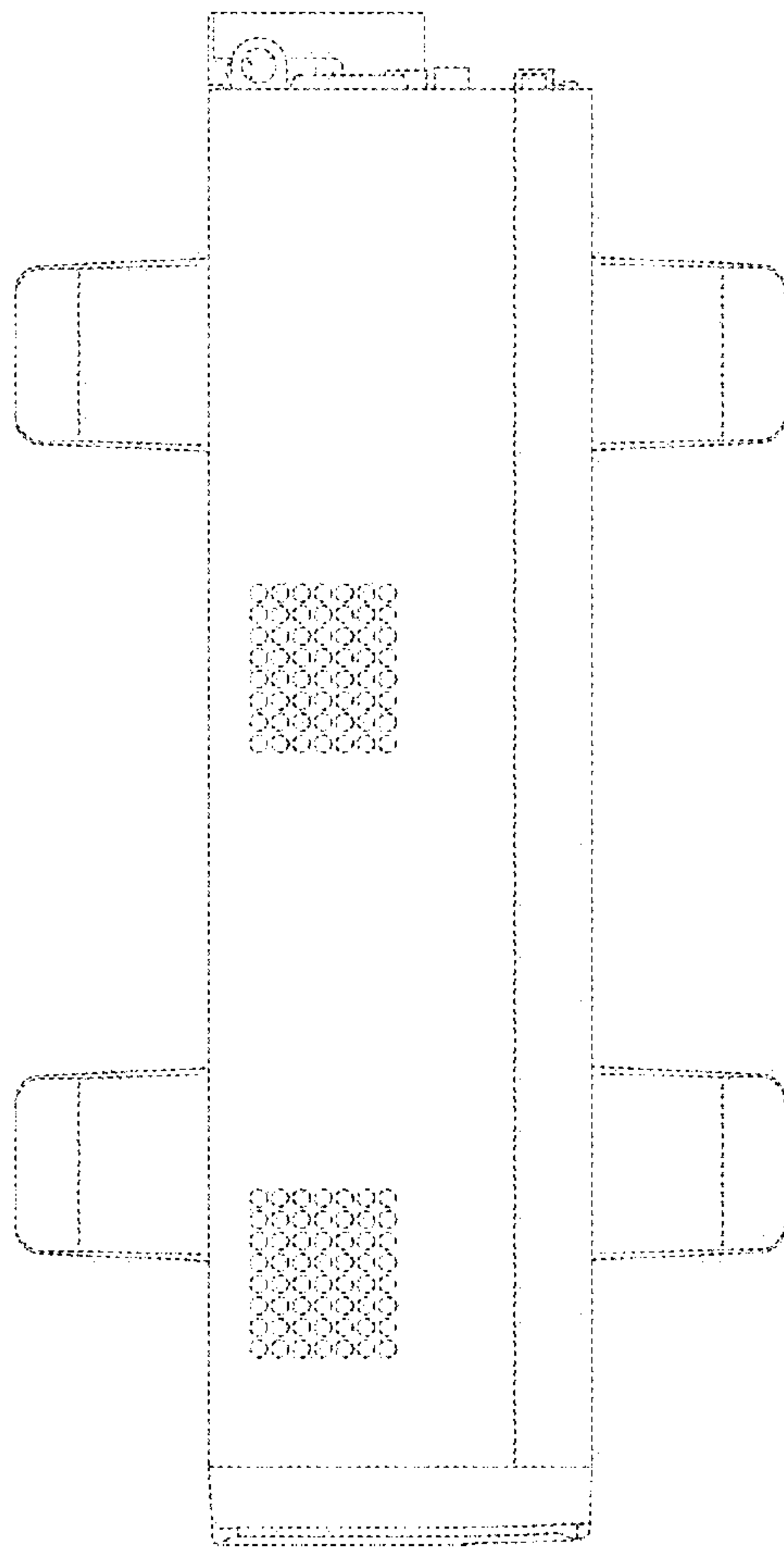


FIG. 6

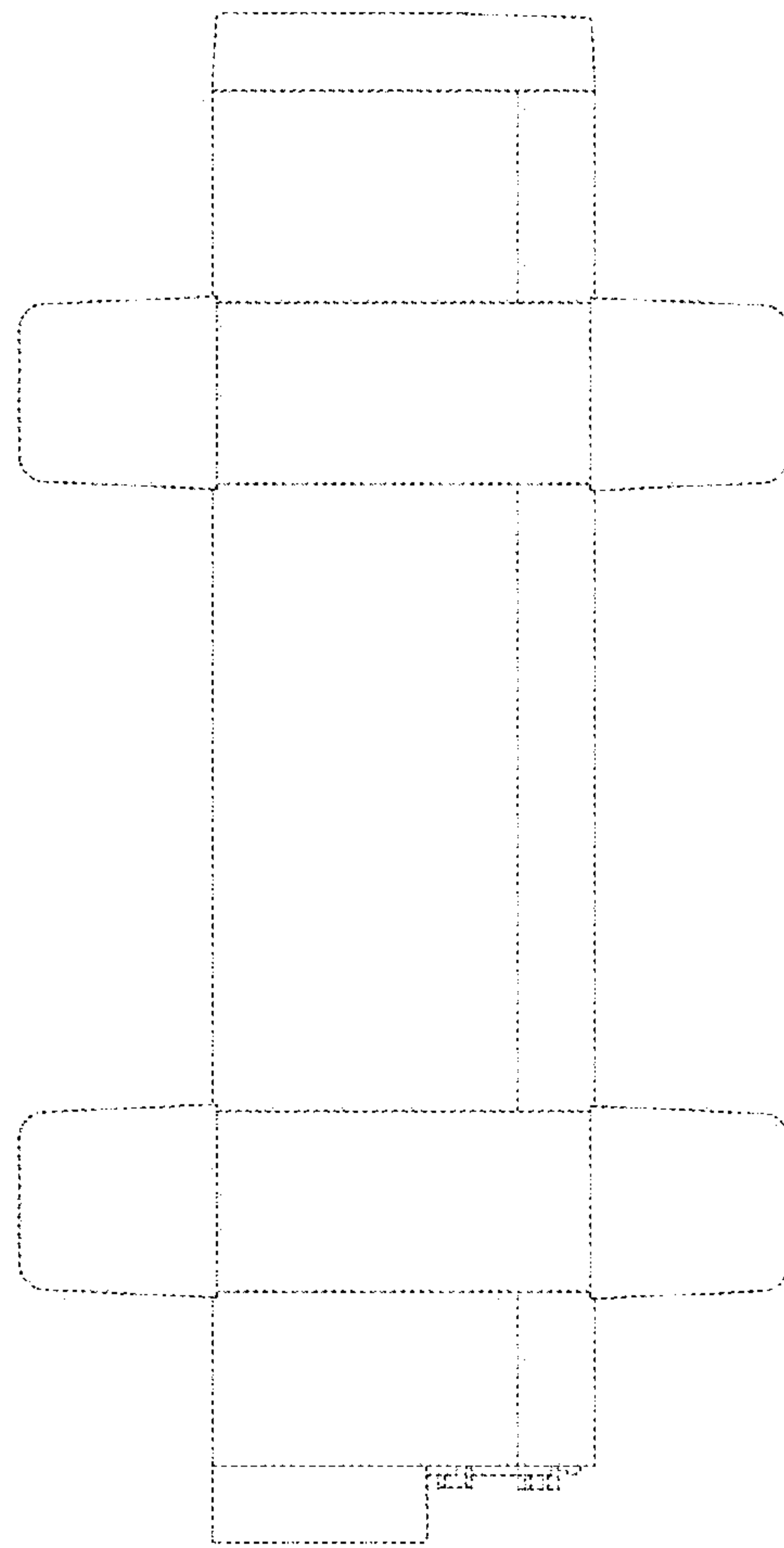


FIG. 7

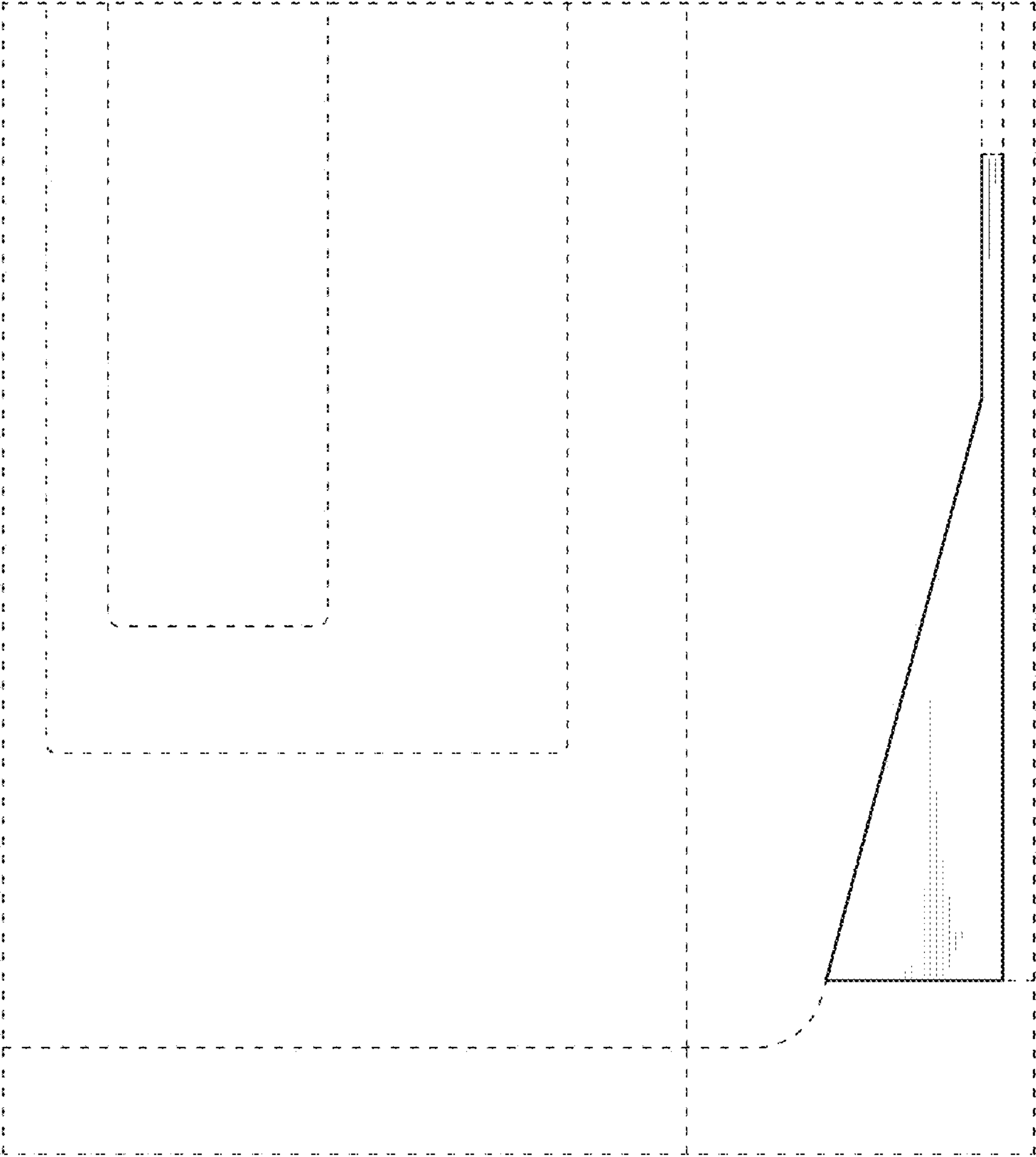


FIG. 8