



US00D717291S

(12) **United States Design Patent**
Klein

(10) **Patent No.:** **US D717,291 S**

(45) **Date of Patent:** **** Nov. 11, 2014**

(54) **COMMUNICATIONS DEVICE**

(76) **Inventor:** **Richard Ira Klein**, San Marcos, CA
(US)

(**) **Term:** **14 Years**

(21) **Appl. No.:** **29/428,645**

(22) **Filed:** **Aug. 1, 2012**

(51) **LOC (10) Cl.** **14-01**

(52) **U.S. Cl.**
USPC **D14/255**

(58) **Field of Classification Search**

CPC H04R 19/04; H04R 1/02; H04R 1/08;
H04R 1/083; H04R 1/406; H04R 2420/07;
H04R 17/02; H04R 19/016; H04R 25/60;
H04R 25/65; H04R 29/00

USPC D14/225, 155, 158, 159, 137, 185, 186,
D14/188, 191, 204, 210, 212, 214-219, 221,
D14/226, 228, 229, 416; D21/329, 483;
D13/153; 379/368, 430, 431, 433, 388,
379/419, 420, 428, 440, 441, 442, 426, 454,
379/455; 381/91, 122, 355, 357, 358, 163,
381/191, 153, 157, 161, 361; 455/77, 78,
455/90, 90.1, 90.3, 550, 151.1, 158.2, 575,
455/575.1, 575.2, 575.8; 446/410, 454;
181/158, 242

See application file for complete search history.

(56) **References Cited**

U.S. PATENT DOCUMENTS

2,336,828 A * 12/1943 Zarth 381/319
D149,704 S * 5/1948 Stone et al. D14/225
D203,187 S * 12/1965 Deschamps D14/225
4,009,355 A * 2/1977 Poradowski 381/358
4,032,844 A * 6/1977 Imazeki 455/77
D245,692 S * 9/1977 Imazeki D14/225
D247,560 S * 3/1978 Imazeki D14/225
D247,669 S * 4/1978 Murakami et al. D14/225

4,100,653 A * 7/1978 Sensabaugh 24/3.11
4,113,999 A * 9/1978 Swinehart 381/91
D250,709 S * 1/1979 Sakaguchi D14/225
4,158,813 A * 6/1979 Ellis et al. 455/116
4,178,547 A * 12/1979 Santana 455/77
D346,804 S * 5/1994 Tokiyama D14/226
D378,820 S * 4/1997 Tokiyama et al. D14/225
D415,767 S * 10/1999 Page et al. D14/226
D416,912 S * 11/1999 Hsieh D14/225
D432,527 S * 10/2000 DeLeon D14/240
D459,718 S * 7/2002 Ma et al. D14/225
D483,351 S * 12/2003 Jennings et al. D14/225
D494,960 S * 8/2004 Lum D14/225
D539,272 S * 3/2007 Kaner et al. D14/225
D567,300 S * 4/2008 Kramer D21/483
D569,853 S * 5/2008 Nishida D14/225
D576,157 S * 9/2008 Nishizawa D14/225
D607,440 S * 1/2010 Yamakawa et al. D14/225
D615,533 S * 5/2010 Emge et al. D14/225
D619,125 S * 7/2010 Kung D14/225

(Continued)

Primary Examiner — Susan Bennett Hattan

Assistant Examiner — Marie Fast Horse

(74) *Attorney, Agent, or Firm* — QuickPatents; Kevin Prince

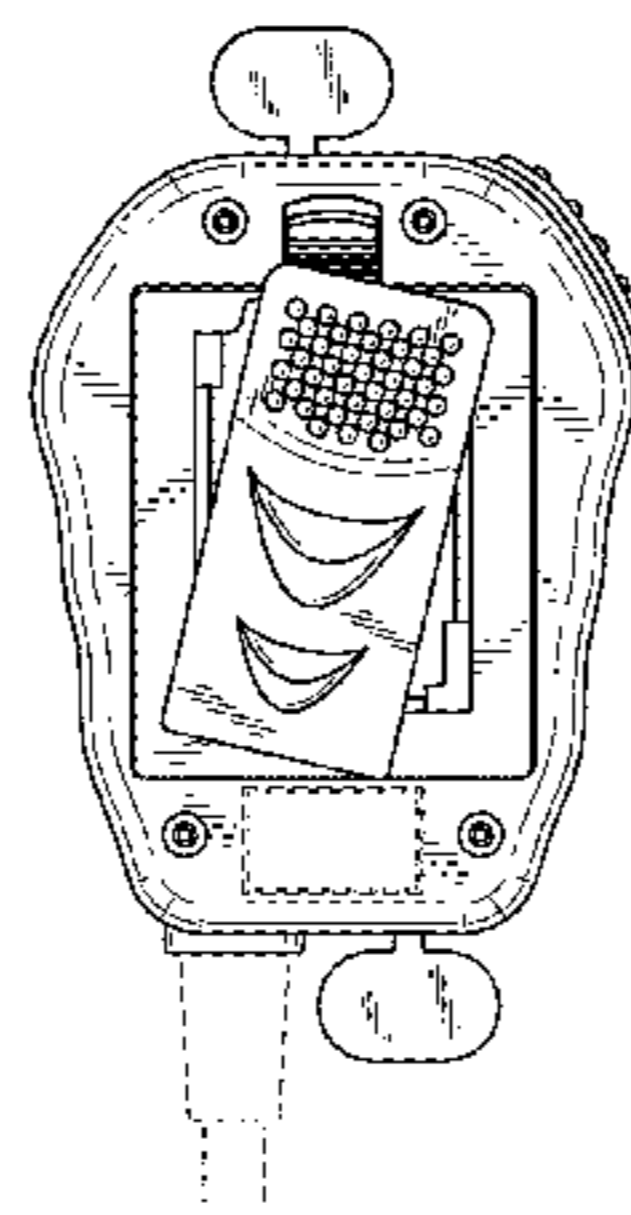
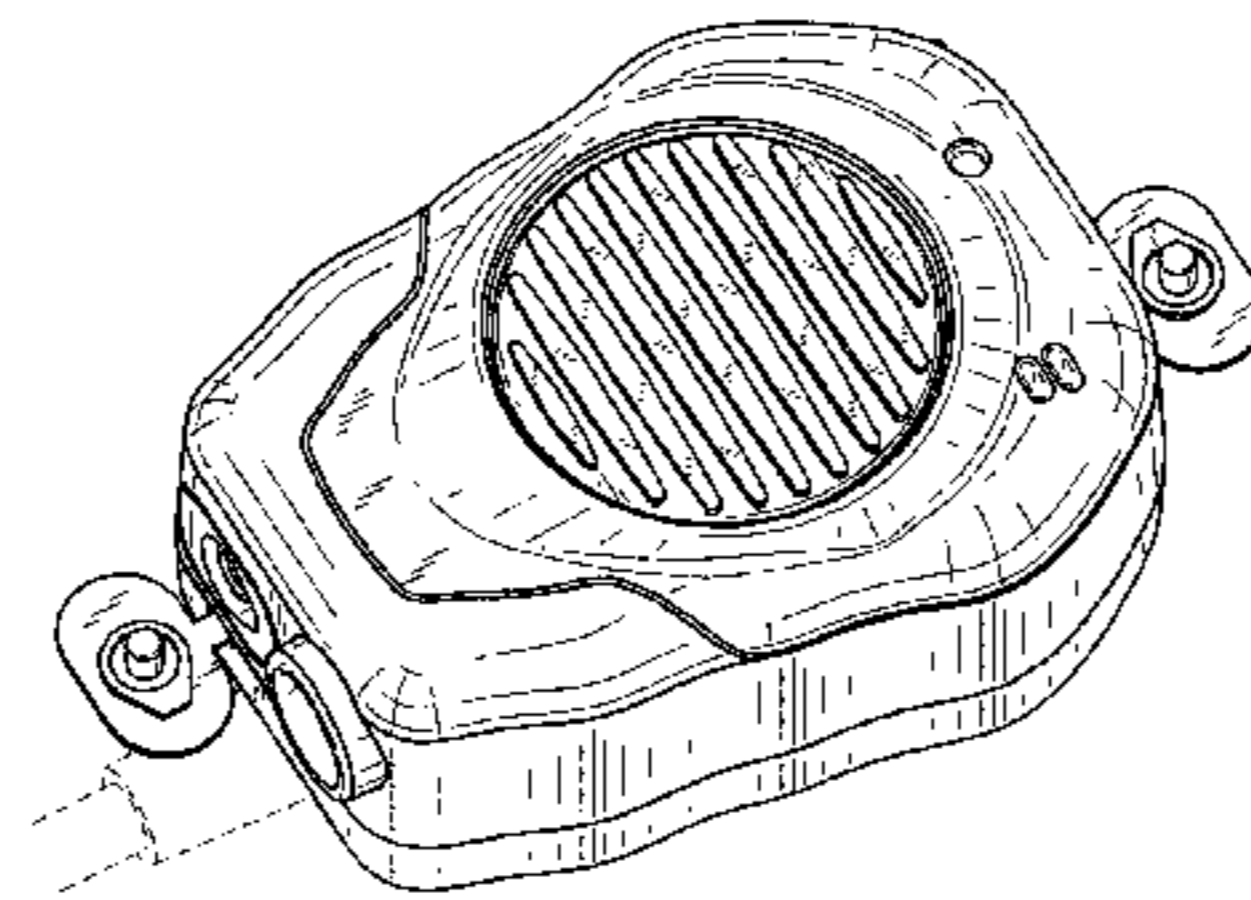
(57) **CLAIM**

I claim the ornamental design for a communications device,
as shown and described.

DESCRIPTION

FIG. 1 is a perspective view of a communications device,
showing my new design;
FIG. 2 is a bottom plan view thereof;
FIG. 3 is a top plan view thereof;
FIG. 4 is a front elevational view thereof;
FIG. 5 is a rear elevational view thereof;
FIG. 6 is a left-side elevational view thereof; and,
FIG. 7 is a right-side elevational view thereof.
The broken lines in the figures depict environmental matter
and form no part of the claimed design.

1 Claim, 3 Drawing Sheets



US D717,291 S

Page 2

(56)

References Cited

U.S. PATENT DOCUMENTS

8,254,618 B2 * 8/2012 Babasaki 381/361
2009/0220117 A1 * 9/2009 Inaoka et al. 381/361

8,068,632 B2 * 11/2011 Inaoka et al. 381/361 * cited by examiner

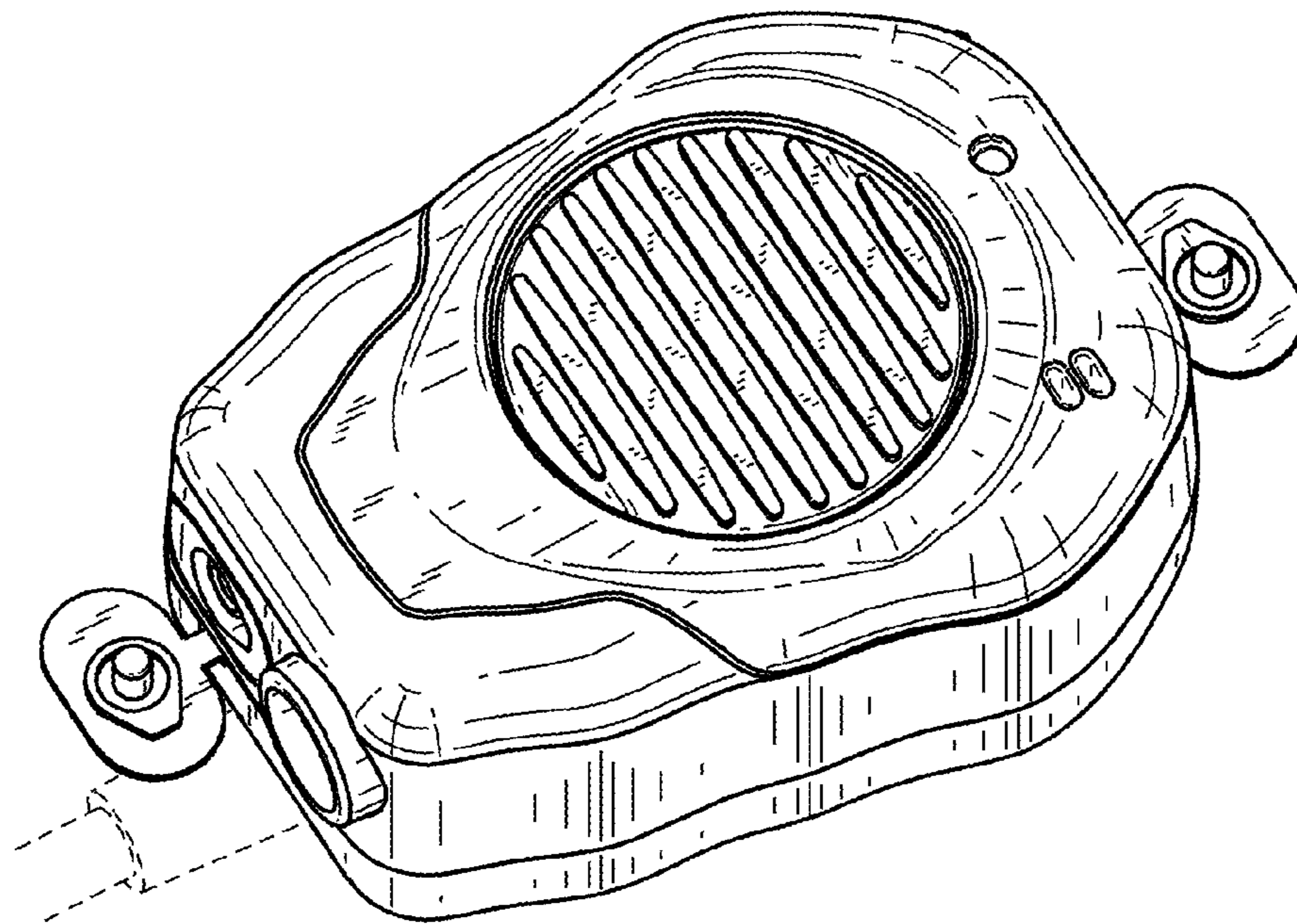


FIG. 1

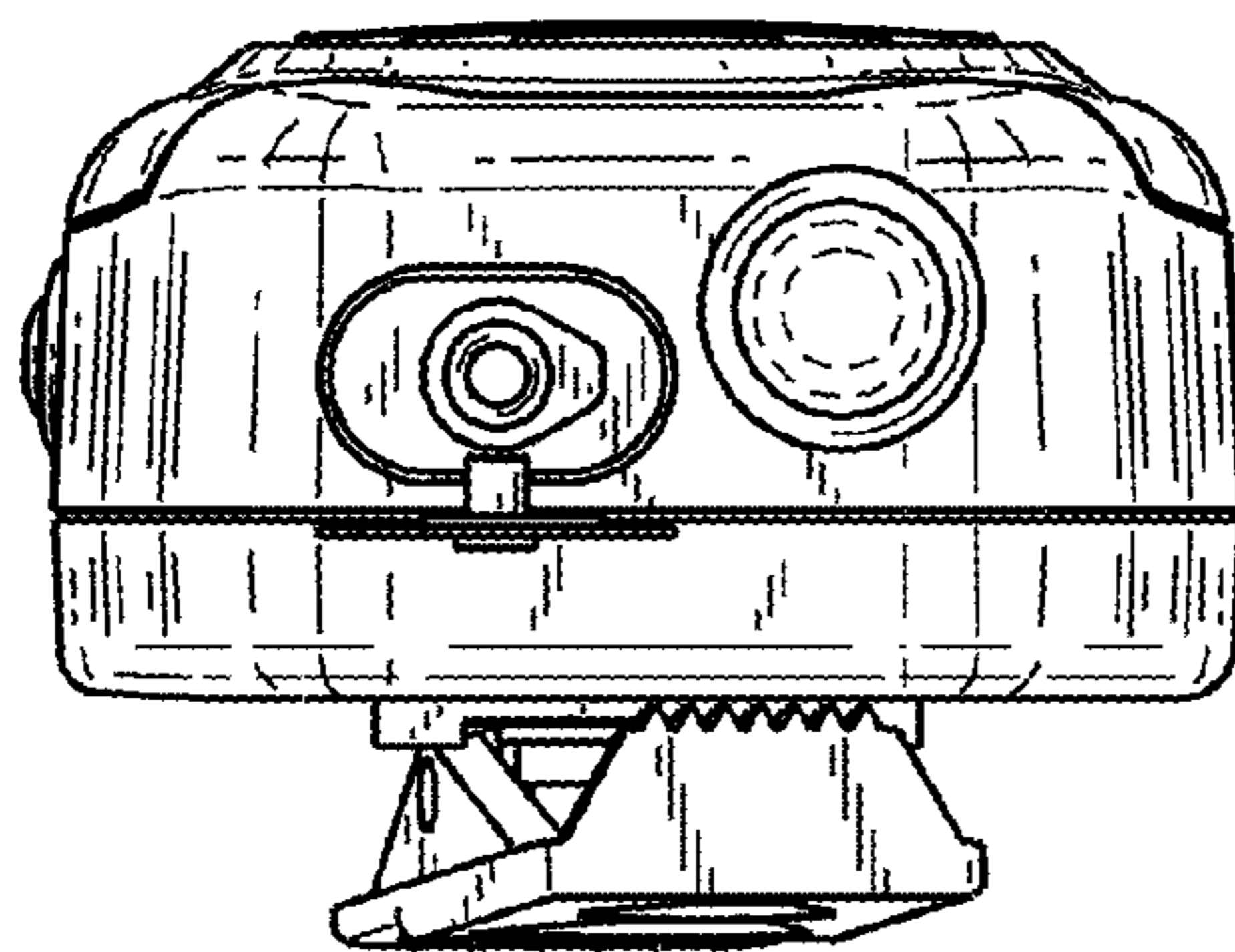


FIG. 2

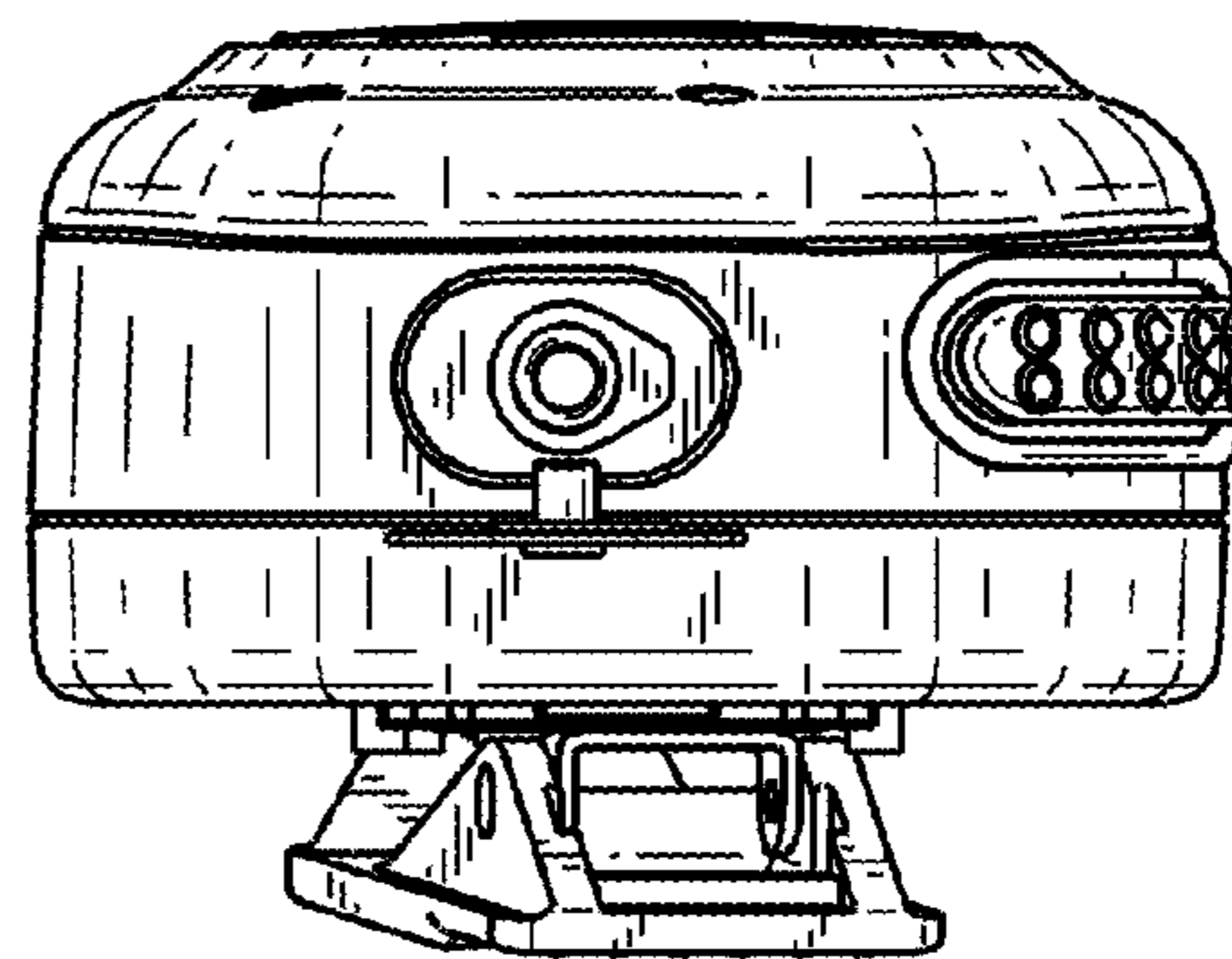


FIG. 3

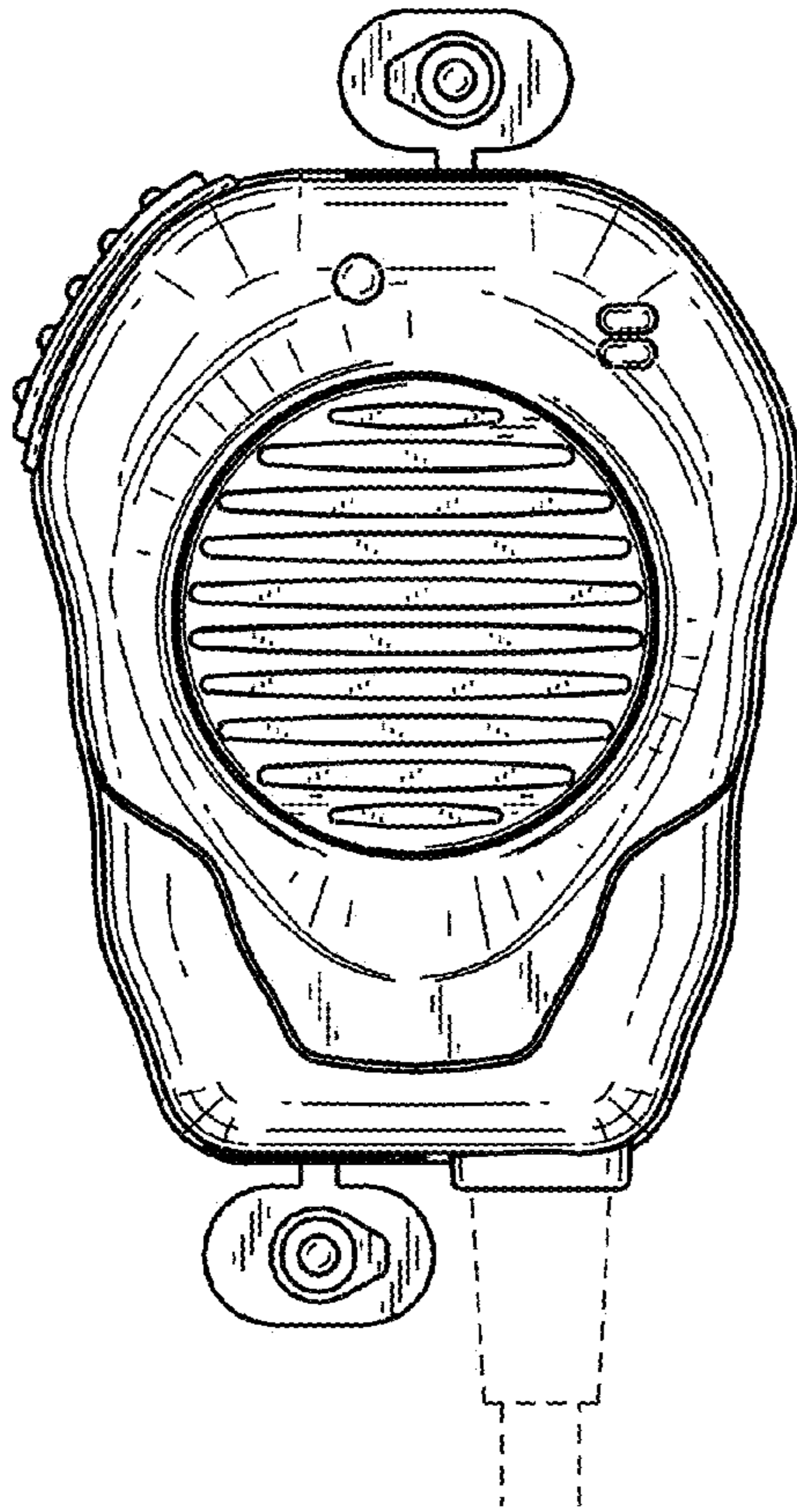


FIG. 4

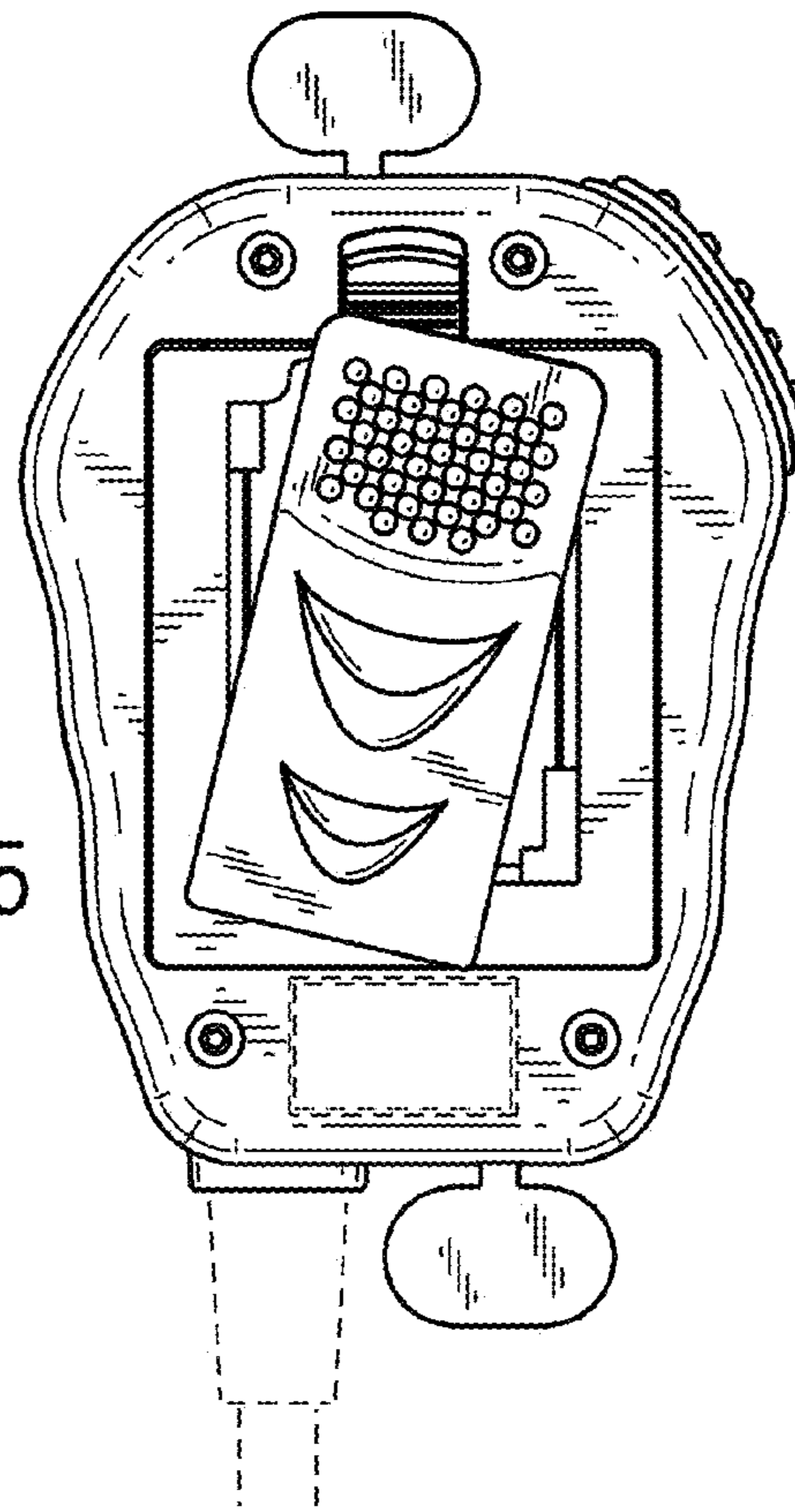


FIG. 5

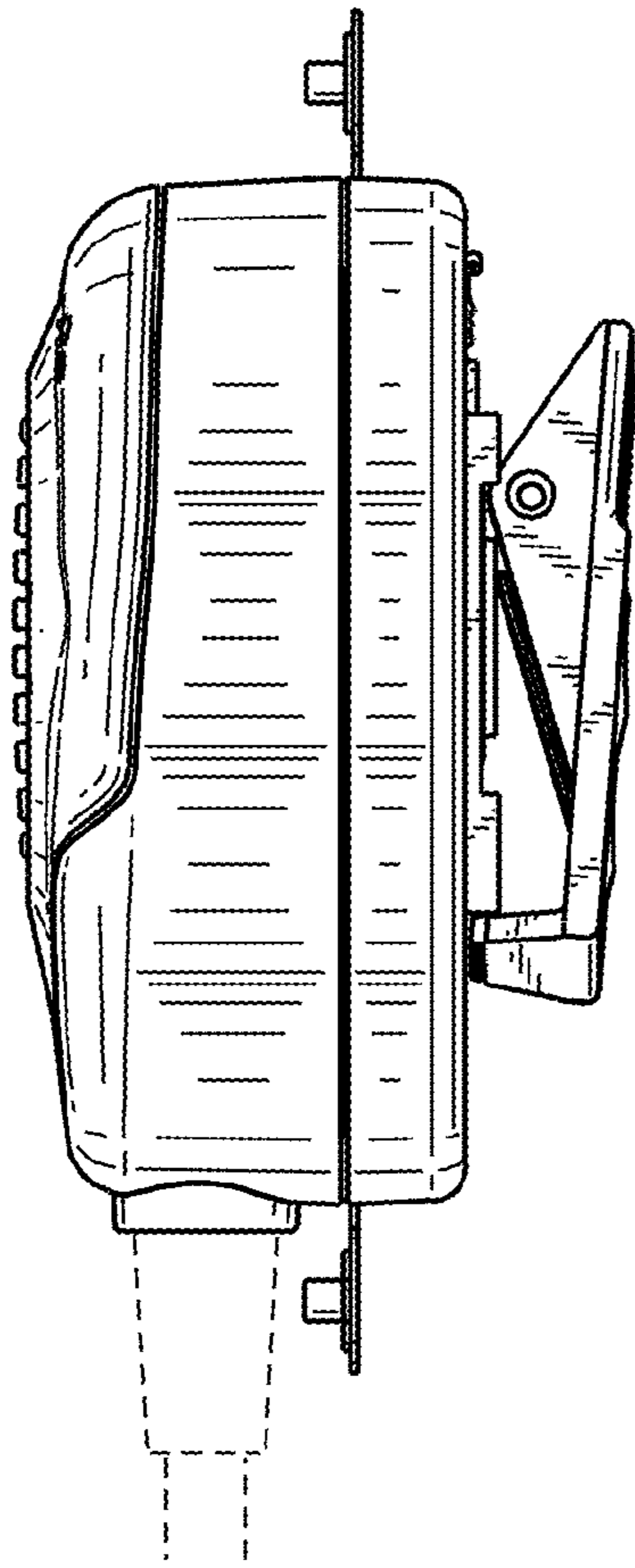


FIG. 6

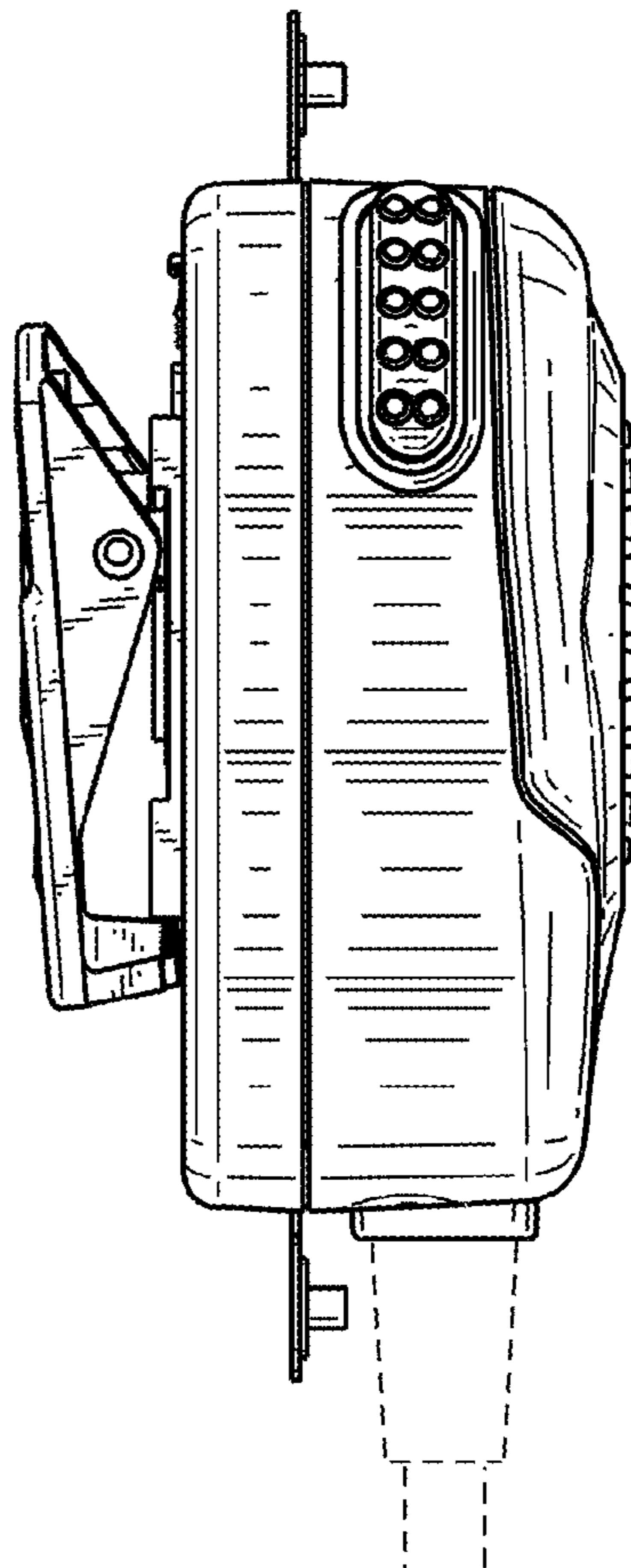


FIG. 7