



US00D717290S

(12) **United States Design Patent**
Shen

(10) **Patent No.:** **US D717,290 S**

(45) **Date of Patent:** **** Nov. 11, 2014**

(54) **STAND FOR ELECTRONIC DEVICE**

(56) **References Cited**

(71) Applicant: **Inventec Appliances Corp.**, New Taipei (TW)

U.S. PATENT DOCUMENTS

(72) Inventor: **Yong-Tao Shen**, Shanghai (CN)

D275,482	S	*	9/1984	Coons et al.	D14/253
D328,277	S	*	7/1992	Leman et al.	D13/108
D328,889	S	*	8/1992	Seki	D13/108
D354,287	S	*	1/1995	Tokiyama	D14/253
D358,821	S	*	5/1995	Hellier et al.	D14/253
D385,252	S	*	10/1997	Snyder et al.	D13/108
D440,936	S	*	4/2001	Burns	D13/108
D463,361	S	*	9/2002	Ruohonen	D13/108
D477,823	S	*	7/2003	Lavello, Sr.	D14/253
D501,205	S	*	1/2005	Quinn	D14/253
D562,762	S	*	2/2008	Saddlemire et al.	D13/108
D626,558	S	*	11/2010	Julien	D14/434
D654,921	S	*	2/2012	Malsan	D14/447
D668,218	S	*	10/2012	Dai et al.	D13/107
2010/0102777	A1	*	4/2010	Sa	320/115

(73) Assignee: **Inventec Appliances Corp.**, New Taipei (TW)

(**) Term: **14 Years**

(21) Appl. No.: **29/454,330**

(22) Filed: **May 9, 2013**

* cited by examiner

(30) **Foreign Application Priority Data**

Primary Examiner — Susan Bennett Hattan

Nov. 12, 2012 (CN) 2012 3 0546456

Assistant Examiner — Janice Hallmark

(51) **LOC (10) Cl.** **14-03**

(74) *Attorney, Agent, or Firm* — Bacon & Thomas, PLLC

(52) **U.S. Cl.**

(57) **CLAIM**

USPC **D14/253**

The ornamental design for a stand for electronic device, as shown and described.

(58) **Field of Classification Search**

DESCRIPTION

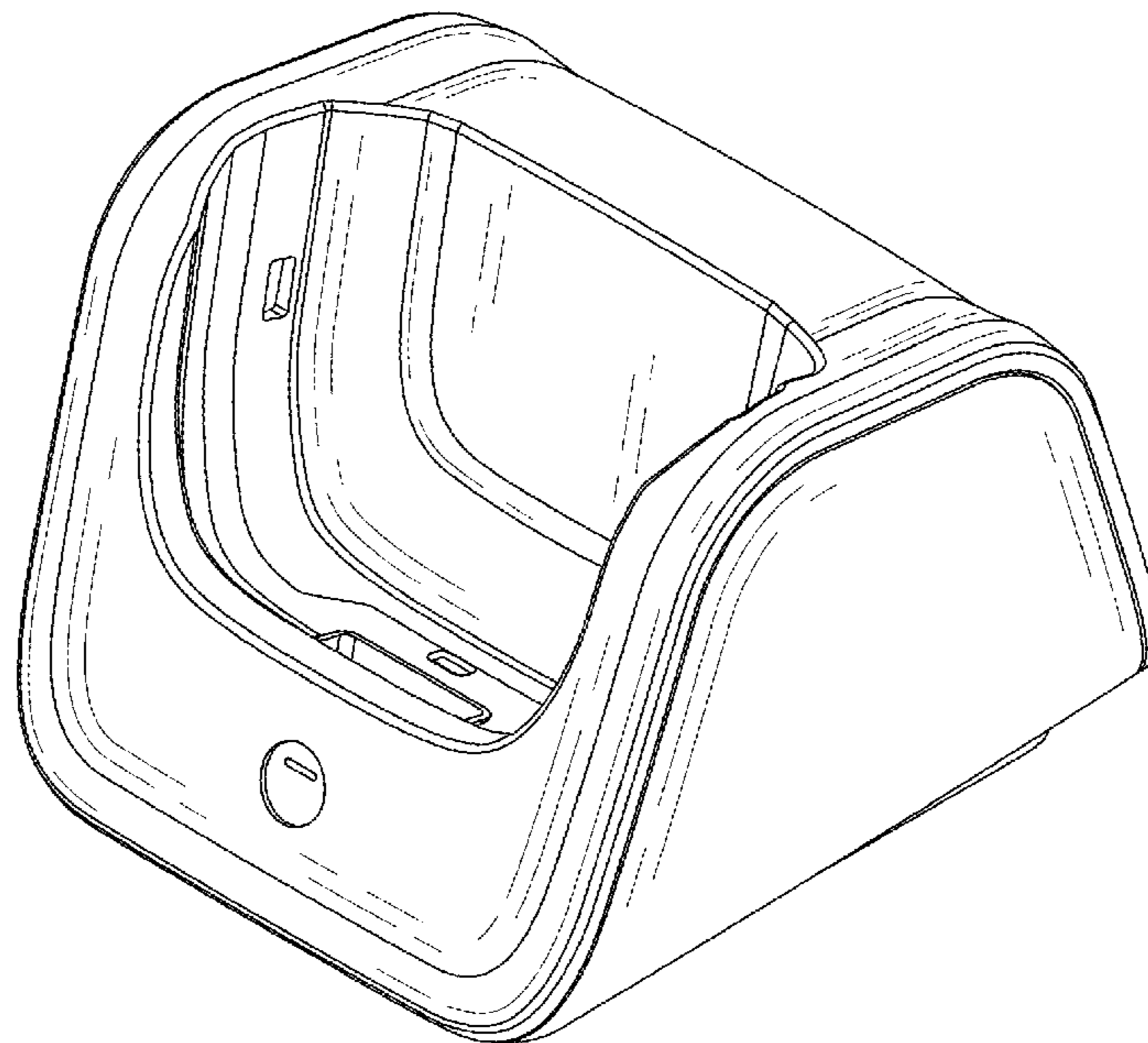
USPC D14/137, 140, 140.8, 142, 204, 209.1, D14/217, 221, 243–256, 434, 440, 444–447, D14/238.1; D8/400–404, 499; D2/861; D3/215, 218, 304, 269; D6/467, 300, D6/310, 553–574; D25/318; 292/342, 343; 248/188.2; 348/373, 376; 455/573, 455/575.1, 575.9; D19/87, 90; D13/107, D13/108

FIG. 1 is a perspective view of a stand for electronic device showing my new design;
 FIG. 2 is a front elevational view thereof;
 FIG. 3 is a rear elevational view thereof;
 FIG. 4 is a left side elevational view thereof;
 FIG. 5 is a right side elevational view thereof;
 FIG. 6 is a top plan view thereof; and,
 FIG. 7 is a bottom plan view thereof.

The broken lines in the drawing depict environmental subject matter only and form no part of the claimed design.

See application file for complete search history.

1 Claim, 7 Drawing Sheets



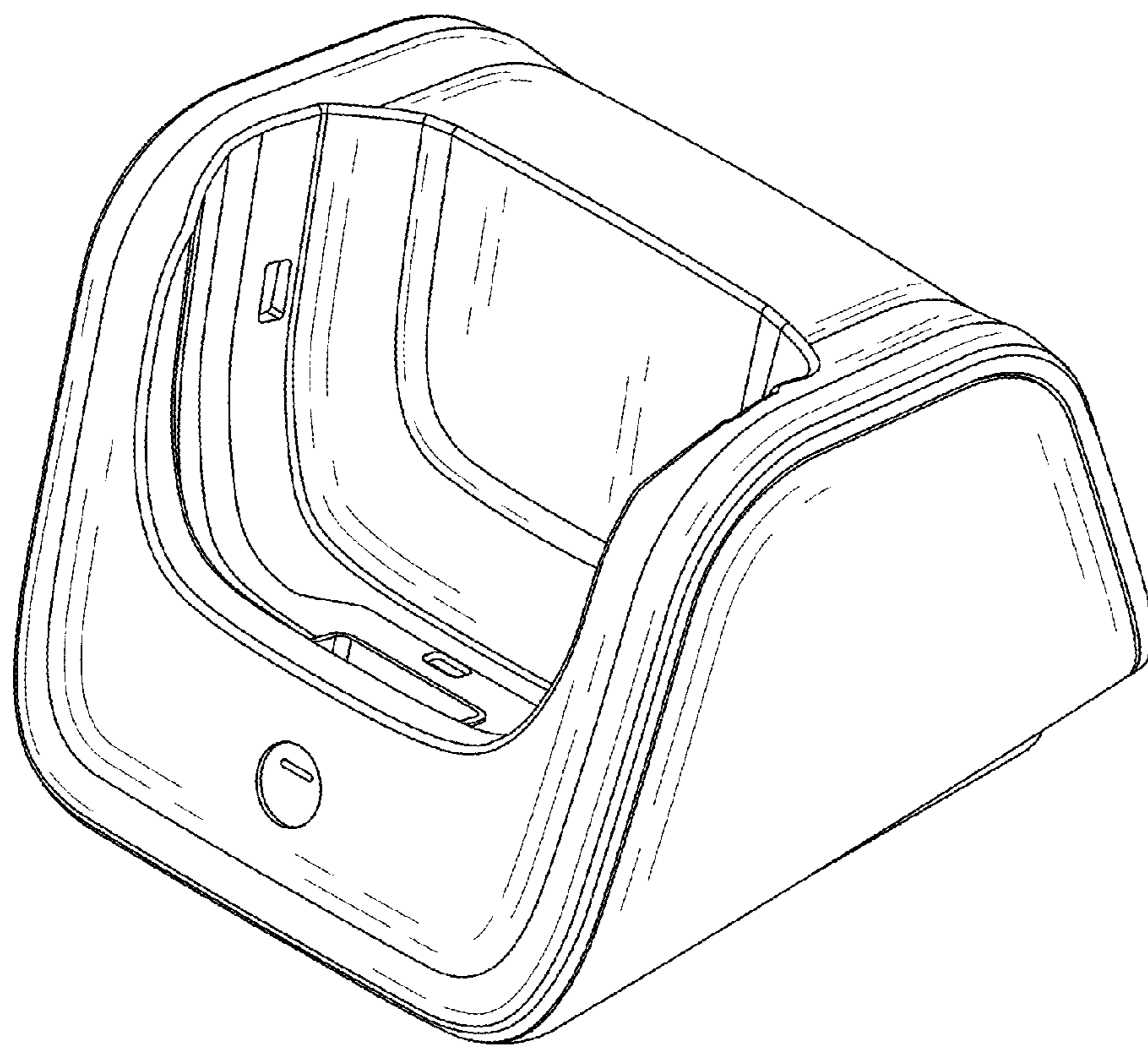


FIG. 1

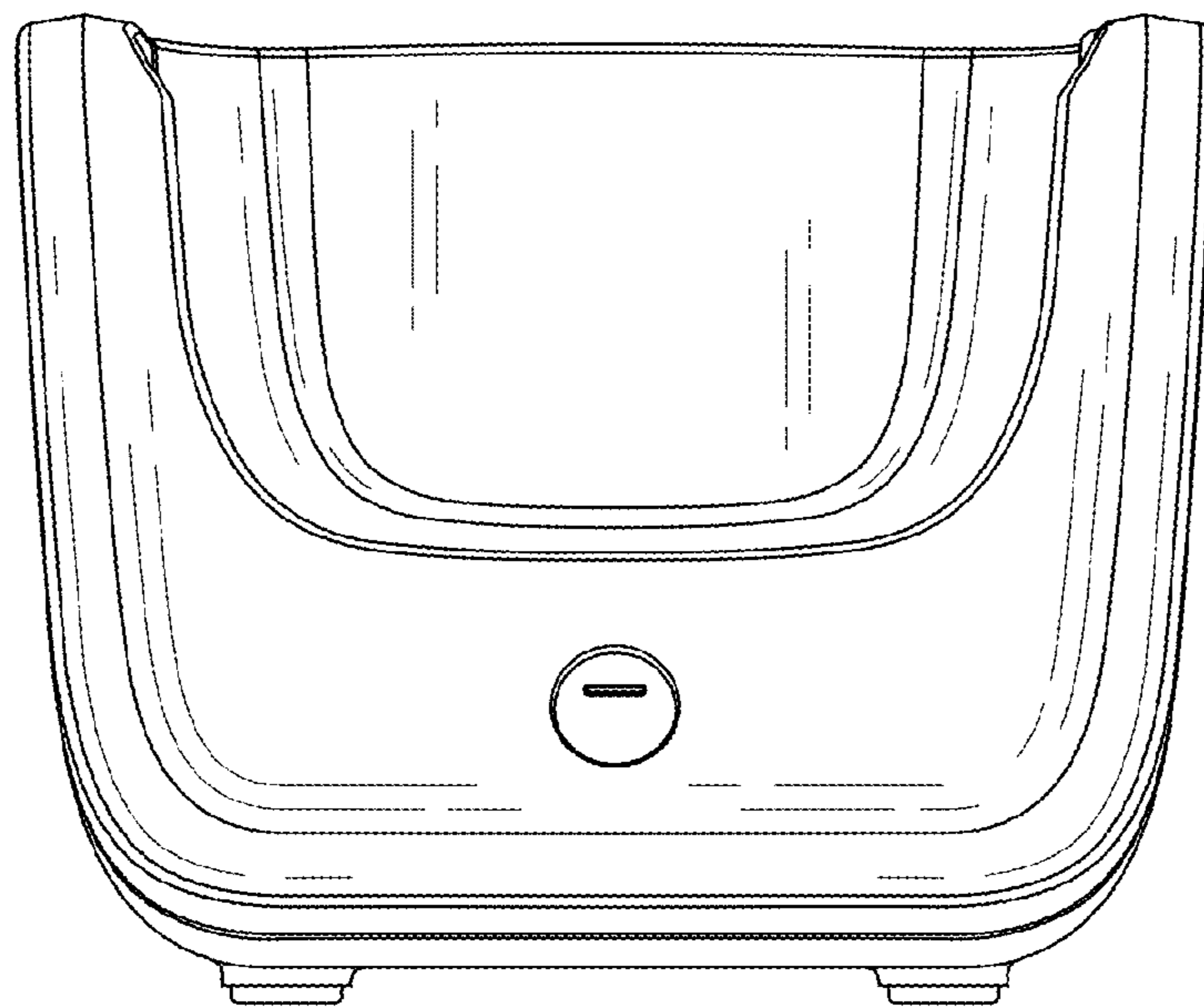


FIG. 2

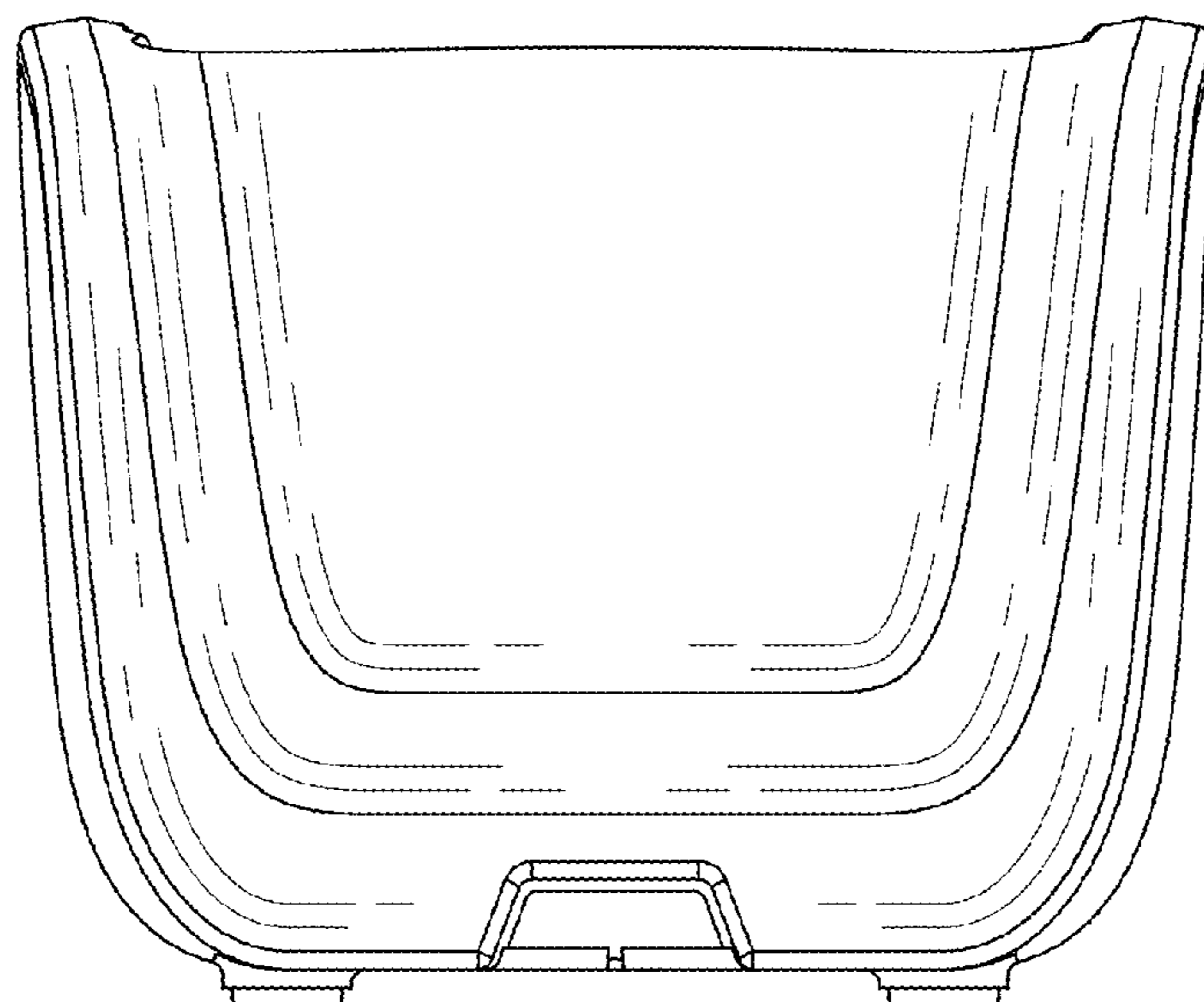


FIG. 3

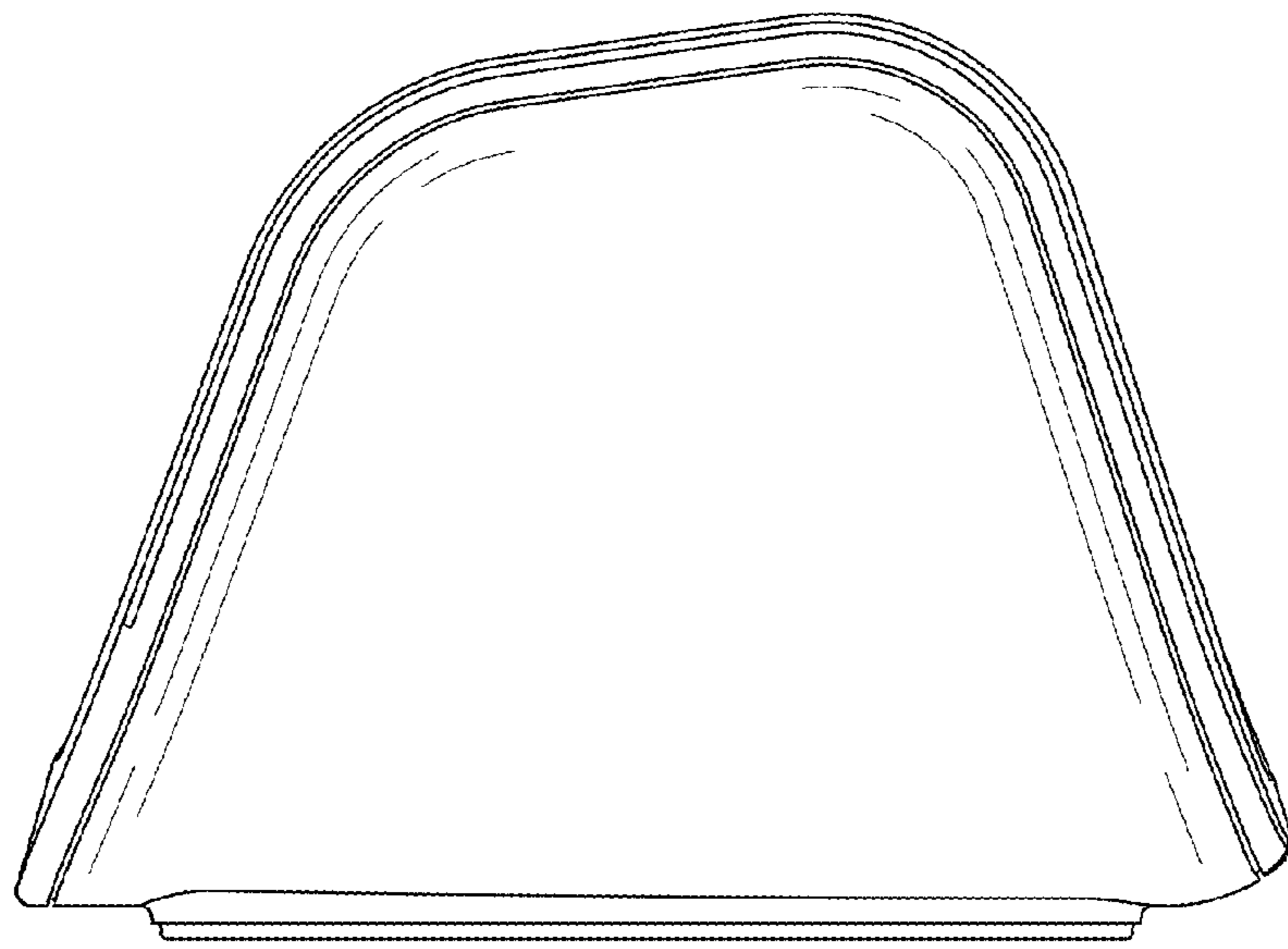


FIG. 4

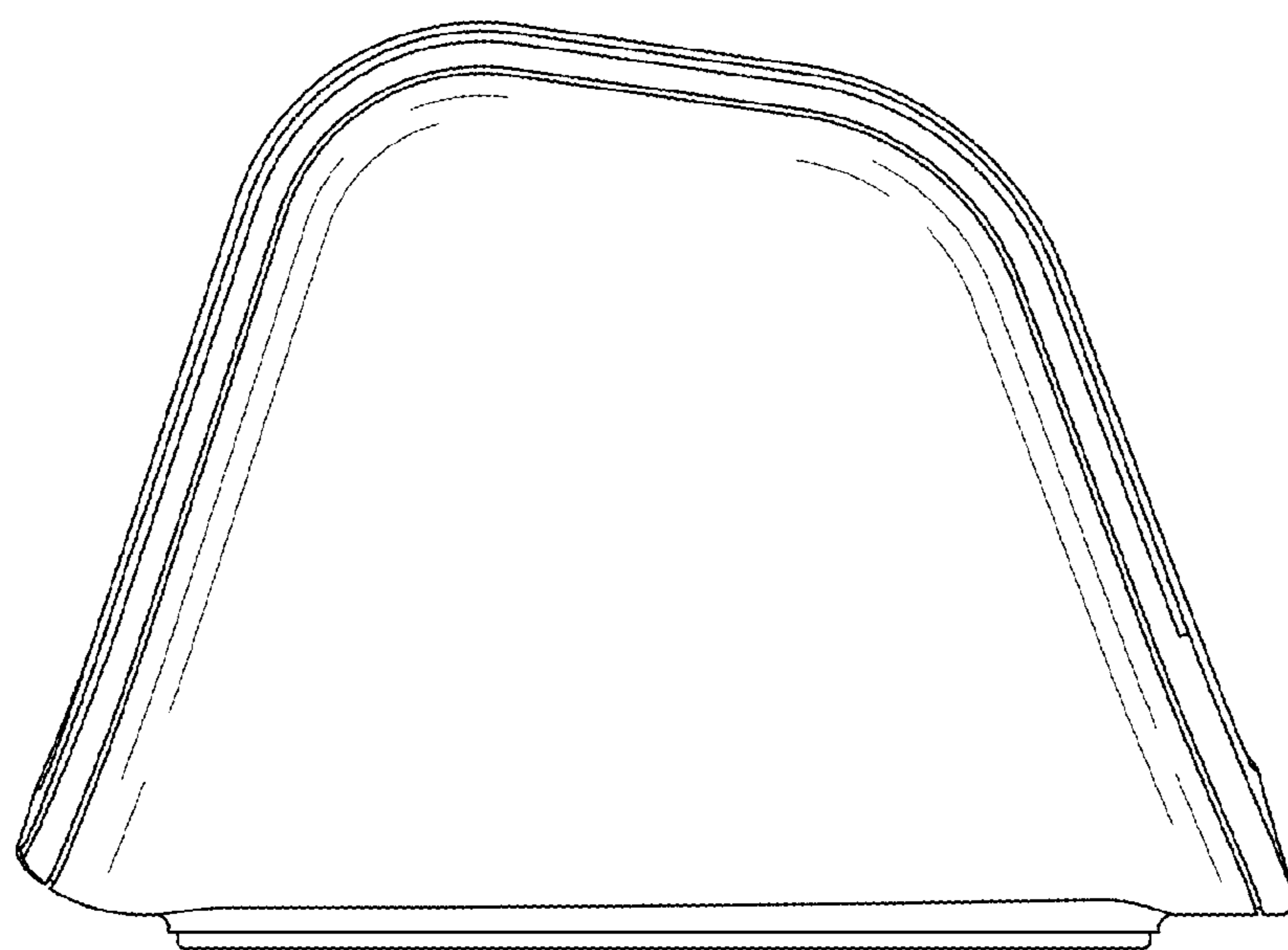


FIG. 5

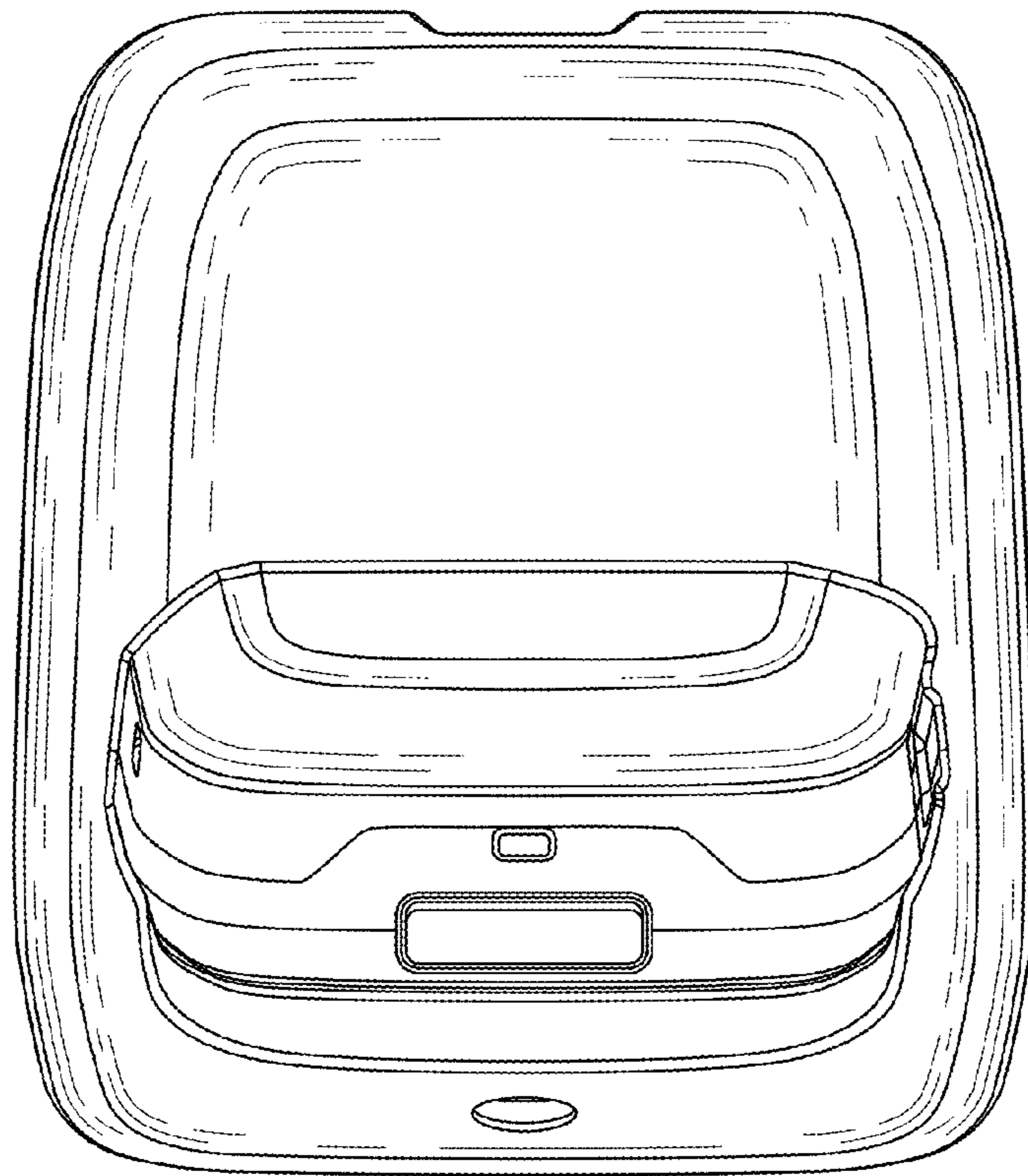


FIG. 6

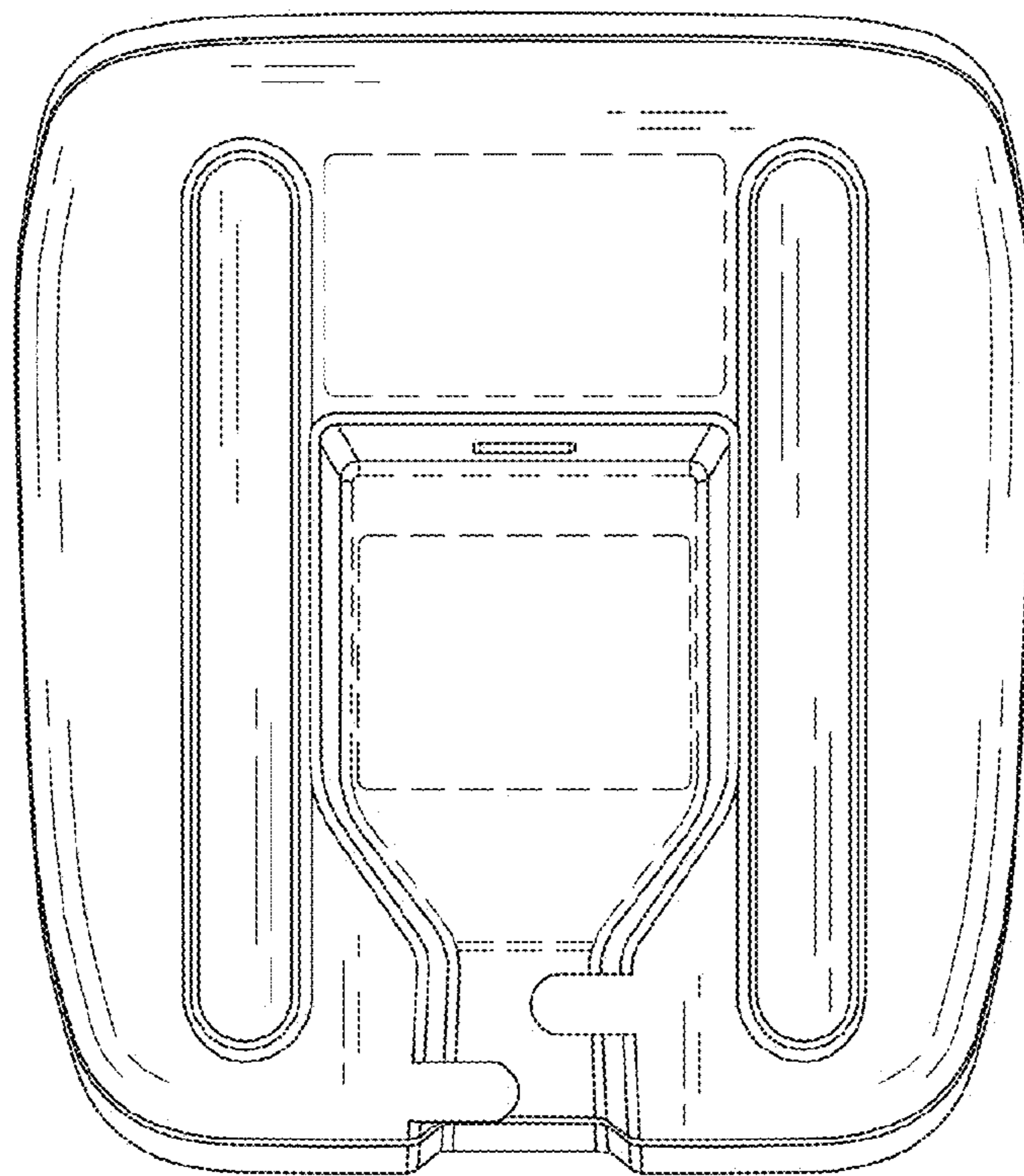


FIG. 7