



US00D717288S

(12) **United States Design Patent**
Adams

(10) **Patent No.:** **US D717,288 S**
(45) **Date of Patent:** **** Nov. 11, 2014**

(54) **MOBILE DEVICE CAMERA ENCLOSURE WITH KEYBOARD AND FLIP BACK**

(74) *Attorney, Agent, or Firm* — Workman Nydegger

(71) Applicant: **I.Am.Symbolic, LLC**, Beverly Hills, CA (US)

(57) **CLAIM**
The ornamental design for mobile device camera enclosure with keyboard and flip back, as shown and described.

(72) Inventor: **William Adams**, Los Angeles, CA (US)

(73) Assignee: **I.Am.Symbolic, LLC**, Beverly Hills, CA (US)

DESCRIPTION

(**) Term: **14 Years**

(21) Appl. No.: **29/448,999**

(22) Filed: **Mar. 14, 2013**

(51) **LOC (10) Cl.** **14-03**

(52) **U.S. Cl.**
USPC **D14/252**; D14/250; D16/237

(58) **Field of Classification Search**
USPC D14/137, 140, 140.8, 142, 204, 209.1, D14/217, 221, 243–256, 434, 440, 444–447, D14/238.1; D8/400–404, 499; D2/861; D3/215, 218, 304, 269; D6/467, 300, D6/310, 553–574; D25/318; 292/342, 343; 248/188.2; 348/373, 376; D12/415, D12/411; D19/87, 90; 455/573, 575.1, 455/575.9; D16/208, 211, 237

See application file for complete search history.

FIG. 1 illustrates a front perspective view of the mobile device camera enclosure with keyboard and flip back, of the present invention;
FIG. 2 illustrates a front elevational view of the mobile device camera enclosure with keyboard and flip back, as shown in FIG. 1;
FIG. 3 illustrates a back elevational view of the mobile device camera enclosure with keyboard and flip back, as shown in FIG. 1;
FIG. 4 illustrates a left side elevational view of the mobile device camera enclosure with keyboard and flip back, as shown in FIG. 1;
FIG. 5 illustrates a right side elevational view of the mobile device camera enclosure with keyboard and flip back, as shown in FIG. 1;
FIG. 6 illustrates a top plan view of the mobile device camera enclosure with keyboard and flip back, as shown in FIG. 1;
FIG. 7 illustrates a bottom plan view of the mobile device camera enclosure with keyboard and flip back, as shown in FIG. 1.

(56) **References Cited**

U.S. PATENT DOCUMENTS

D432,153 S 10/2000 Cooper
D453,177 S 1/2002 Uehara

(Continued)

OTHER PUBLICATIONS

International Search Report and Written Opinion for PCT US 13/69225 date Jan. 10, 2014.

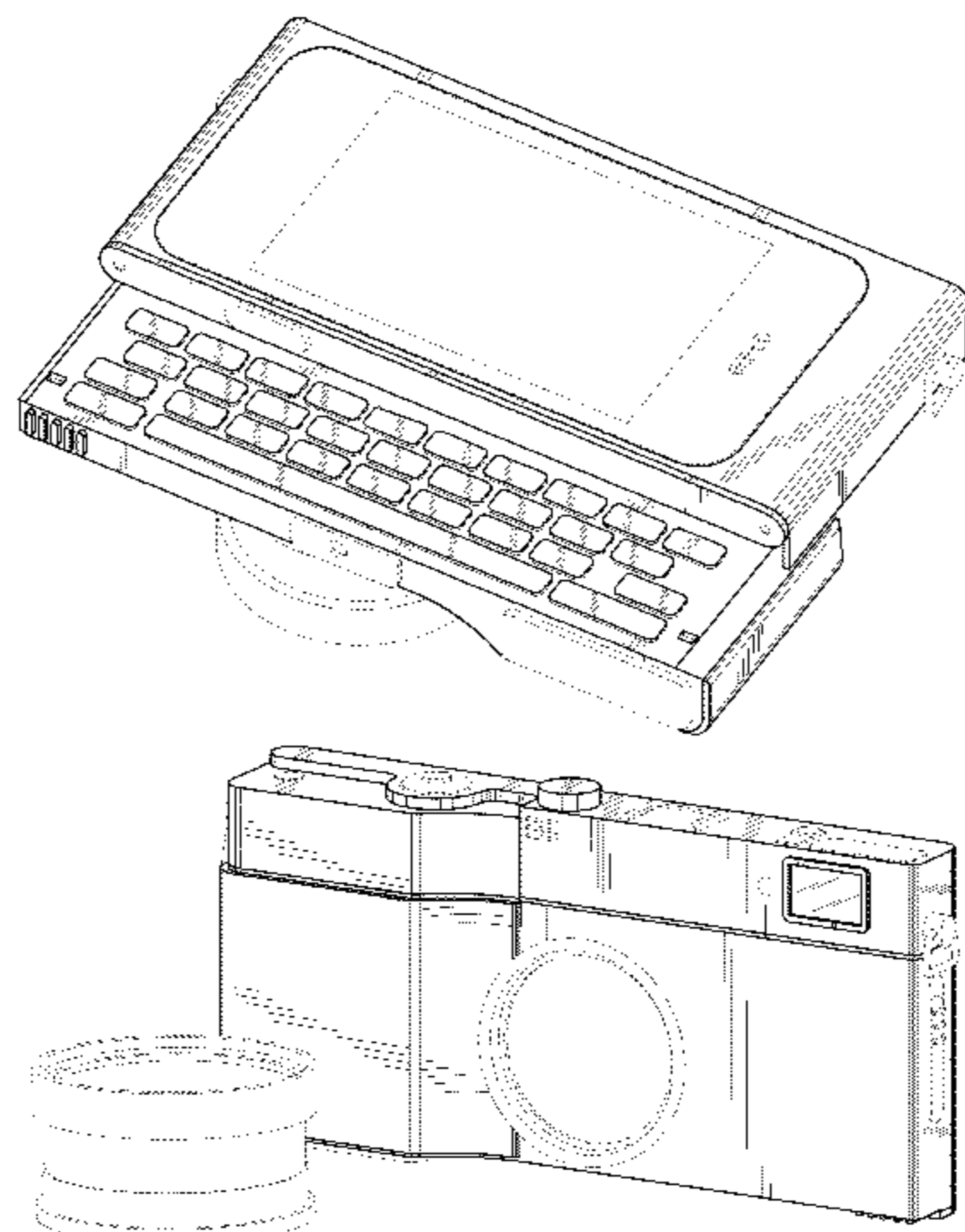
(Continued)

Primary Examiner — Susan Bennett Hattan

Assistant Examiner — Janice Hallmark

FIG. 8 illustrates a back perspective view of the mobile device camera enclosure with keyboard and flip back, of the present invention shown in an alternate configuration;
FIG. 9 illustrates a back perspective view of the mobile device camera enclosure with keyboard and flip back, of the present invention shown in an alternate configuration;
FIG. 10 illustrates a back perspective view of the mobile device camera enclosure with keyboard and flip back, of the present invention shown in an alternate configuration; and,
FIG. 11 illustrates a front perspective view of the mobile device camera enclosure with keyboard and flip back, of the present invention shown in an alternate configuration.
The broken lines in the drawings depict environmental subject matter only and form no part of the claimed design.

1 Claim, 7 Drawing Sheets



(56)

References Cited

U.S. PATENT DOCUMENTS

7,060,921 B2 * 6/2006 Kubo 200/302.1
 D540,362 S * 4/2007 Yamagishi D16/218
 D540,364 S 4/2007 Ishii
 D540,841 S 4/2007 Yamagishi
 7,653,291 B2 1/2010 Yeom
 D616,479 S * 5/2010 Ganahl, Jr. D16/204
 7,751,697 B2 7/2010 Gourova
 D626,746 S 11/2010 Roman
 D638,005 S 5/2011 Richardson
 8,233,082 B2 7/2012 Yamamoto
 D669,587 S 10/2012 Mayer
 D684,569 S * 6/2013 Willenborg D14/253
 D687,026 S 7/2013 Ruvolo
 D699,947 S * 2/2014 To et al. D3/294
 D700,778 S * 3/2014 To et al. D3/294
 D707,669 S * 6/2014 Guzman D14/250
 2007/0268371 A1 11/2007 Misawa
 2007/0280677 A1 12/2007 Drake
 2010/0100839 A1 4/2010 Tseng
 2011/0058255 A1 3/2011 Weiss
 2011/0110654 A1 5/2011 Maki
 2012/0000908 A1 1/2012 So

2012/0114319 A1 5/2012 Kishida
 2012/0236157 A1 9/2012 Askey
 2013/0146625 A1 6/2013 Karle
 2013/0267283 A1* 10/2013 Guzman 455/575.1

OTHER PUBLICATIONS

U.S. Appl. No. 29/436,887, filed Nov. 9, 2012, Adams, William.
 U.S. Appl. No. 29/439,013, filed Dec. 5, 2012, Adams, William.
 U.S. Appl. No. 29/446,392, filed Feb. 22, 2013, Adams, William.
 U.S. Appl. No. 29/436,890, filed Nov. 9, 2012, Adams, William.
 Will.I.Am unveils Foto. Soshos by Trevor Mogg dated Nov. 29, 2012, found online [Dec. 18, 2013] <http://www.digitaltrends.com/mobile/will-i-am-unveil-foto-soshos-iphone-camera-attachment-to-make-a-genius-phone/>.
 Will.I.Am launches pricey i.am by Sharif Sakr dated 2013, found online [Dec. 18 2013] <http://www.engadget.com/2012/11/28/will-i-am-iphone-accessories-hands-on/>.
 U.S. Appl. No. 29/446,392, filed Jan. 14, 2014, Ex Parte Quayle Office Action.
 International Search Report and Written Opinion for PCT/US 13/69222 dated Feb. 21, 2014.
 U.S. Appl. No. 29/446,392, filed Apr. 10, 2014, Notice of Allowance.

* cited by examiner

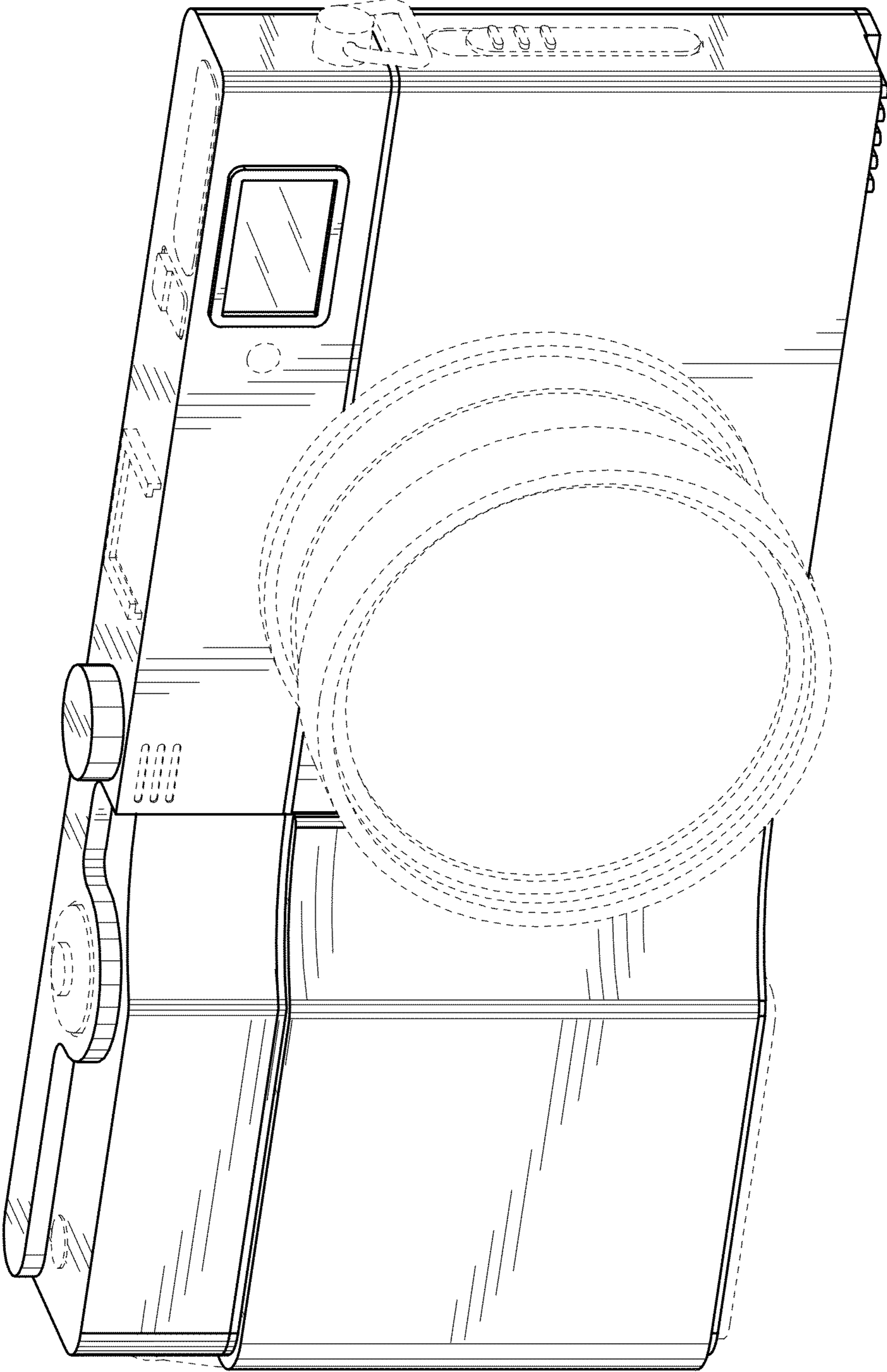


FIG. 1

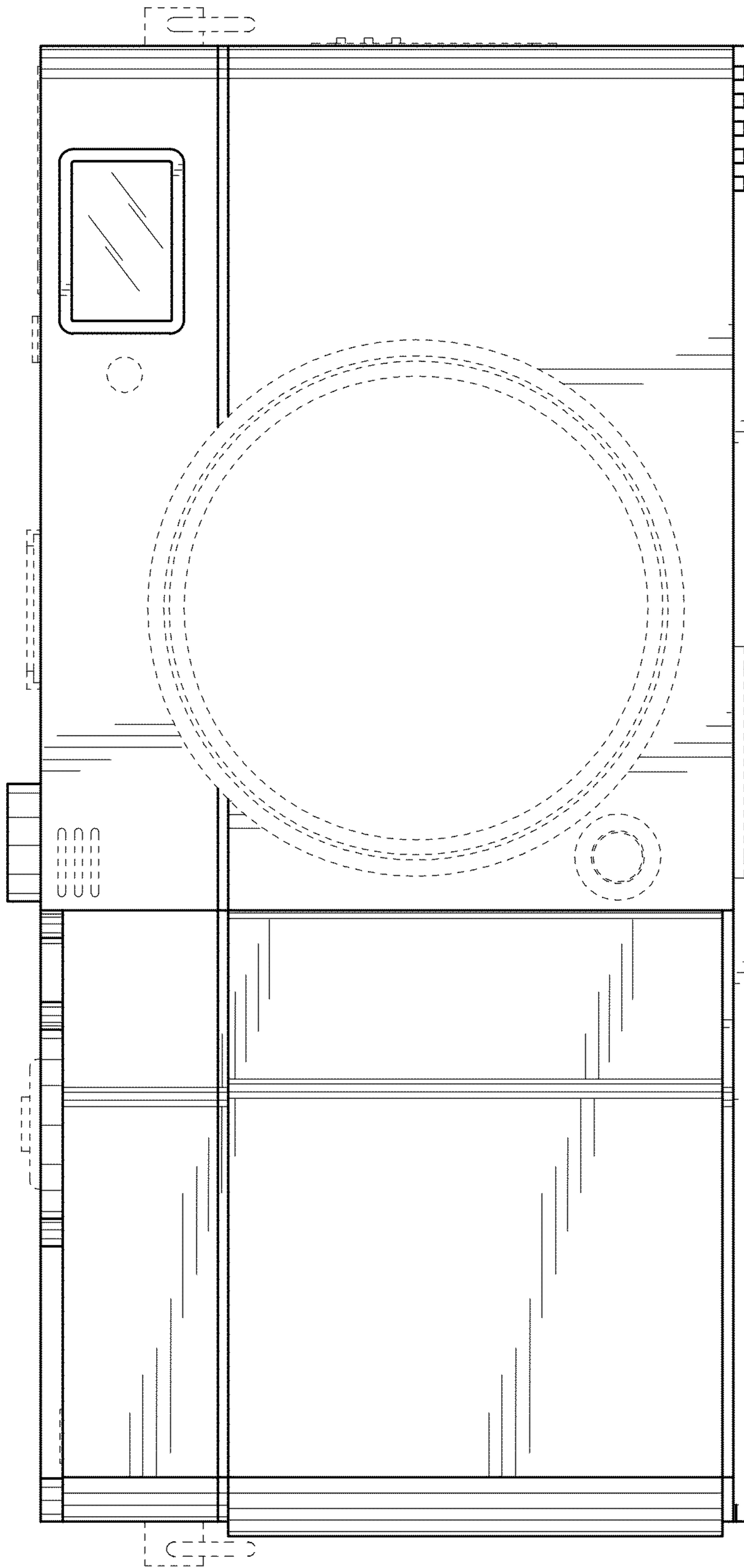


FIG. 2

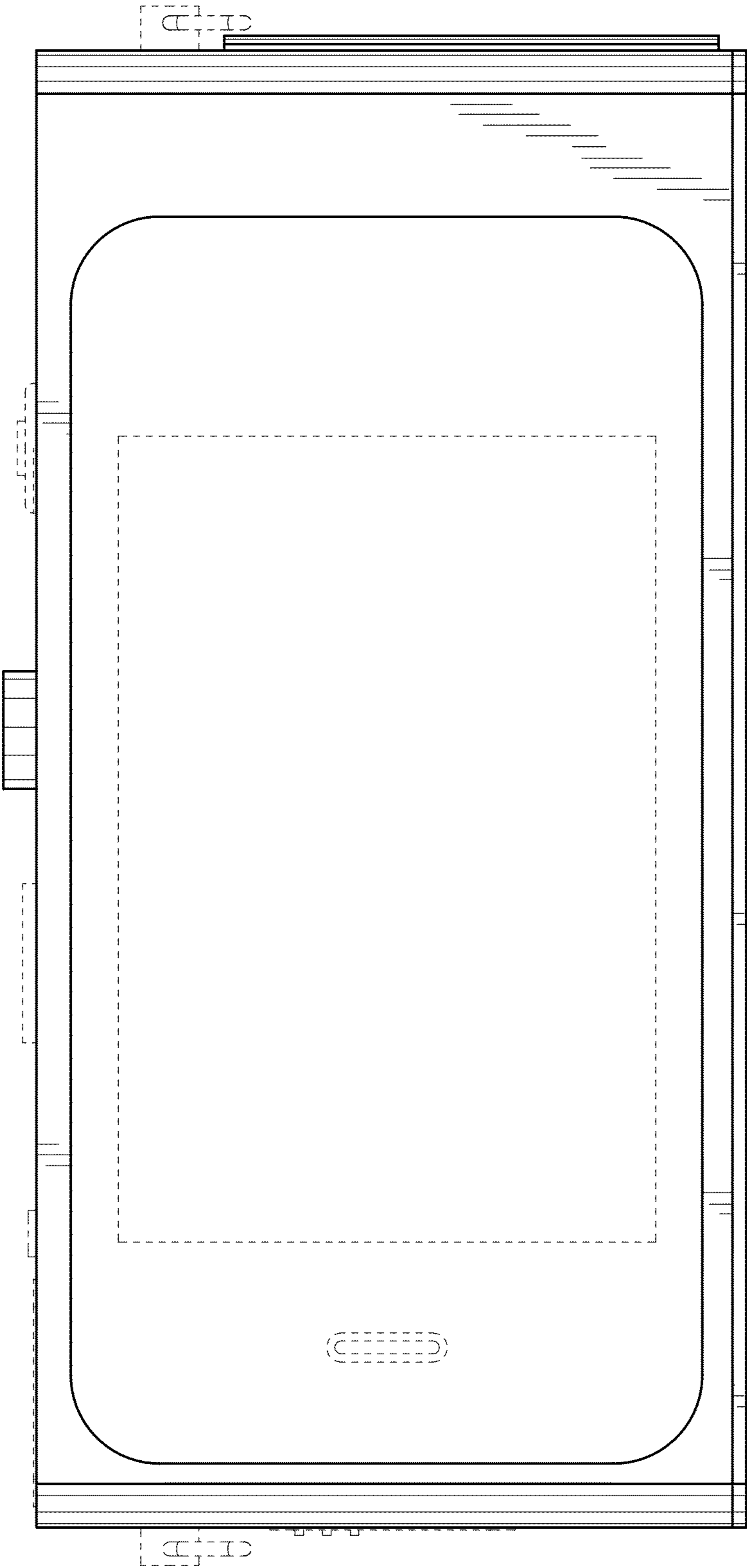


FIG. 3

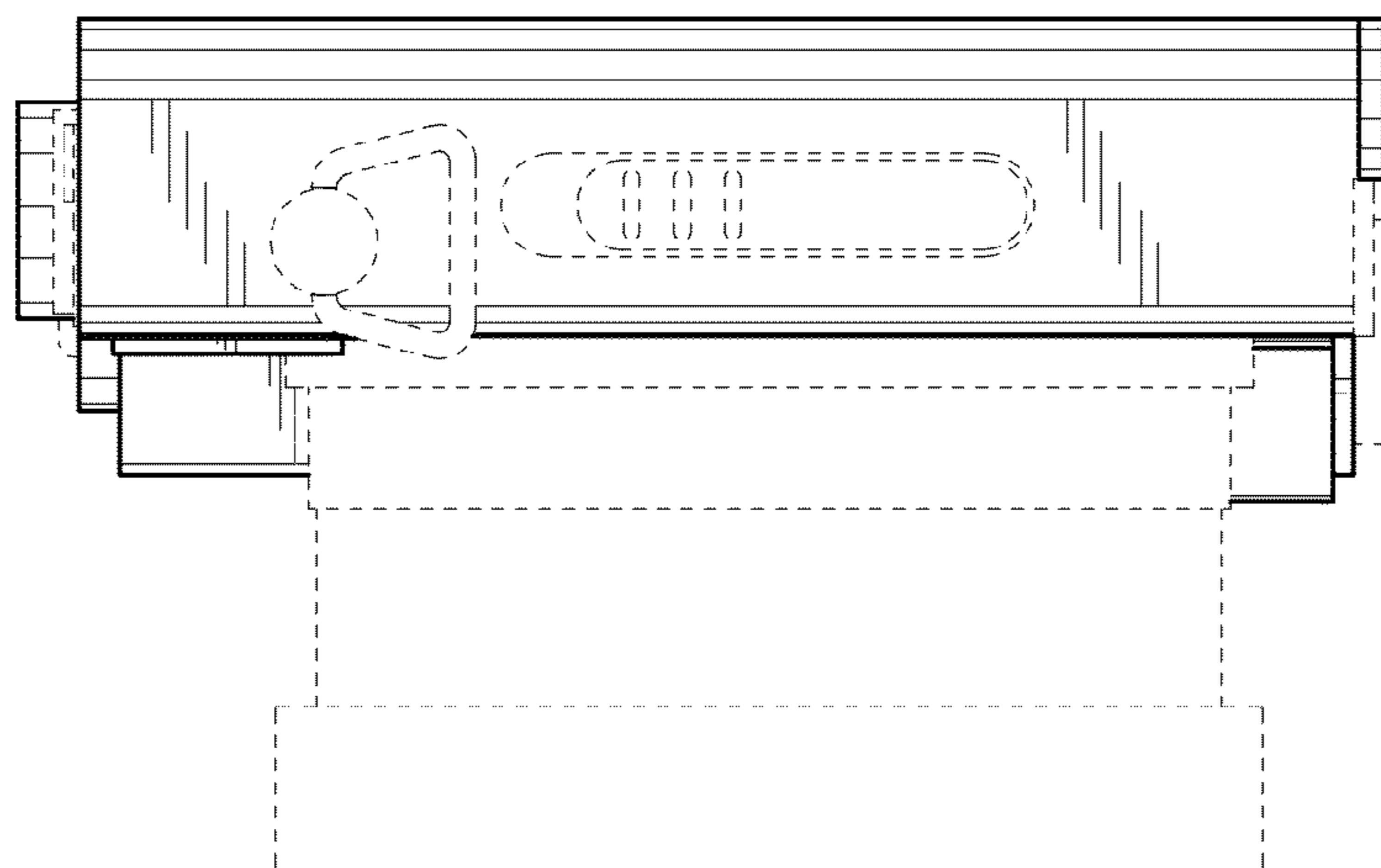


FIG. 5

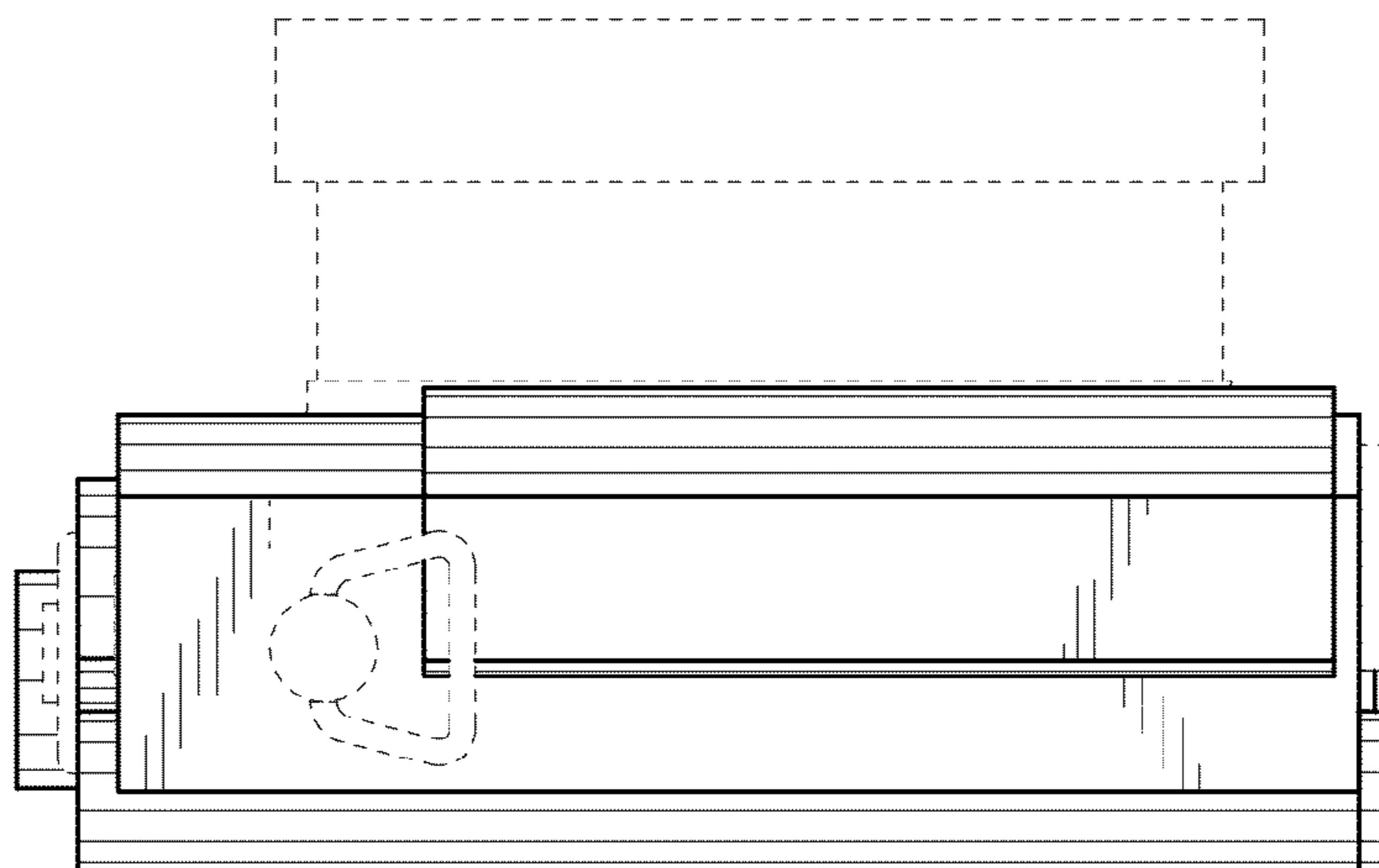


FIG. 4

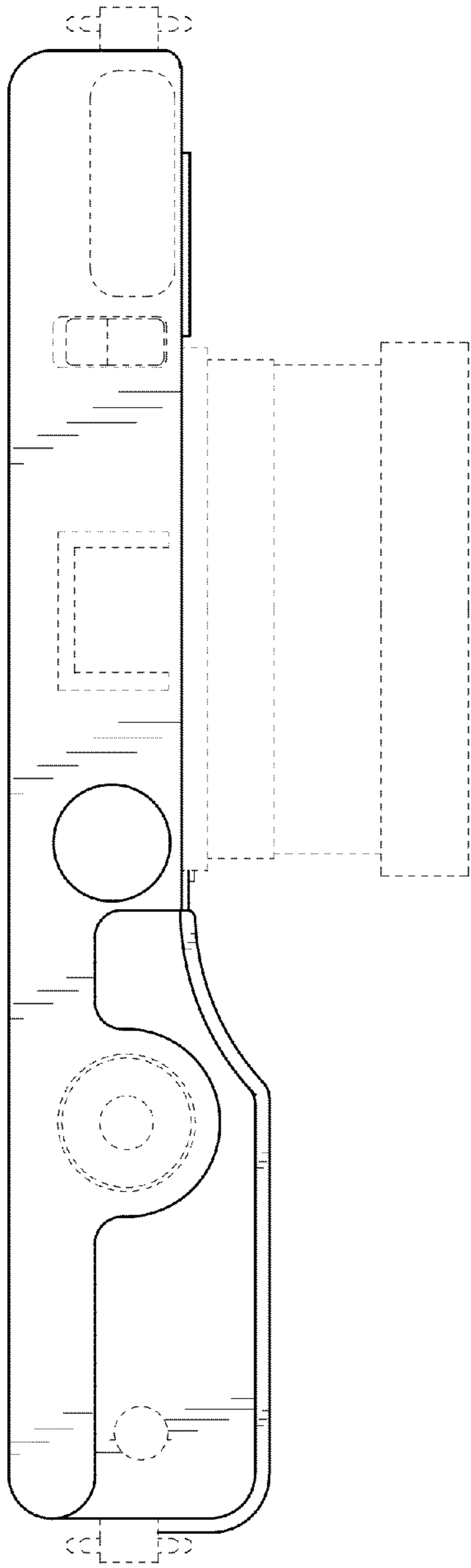


FIG. 6

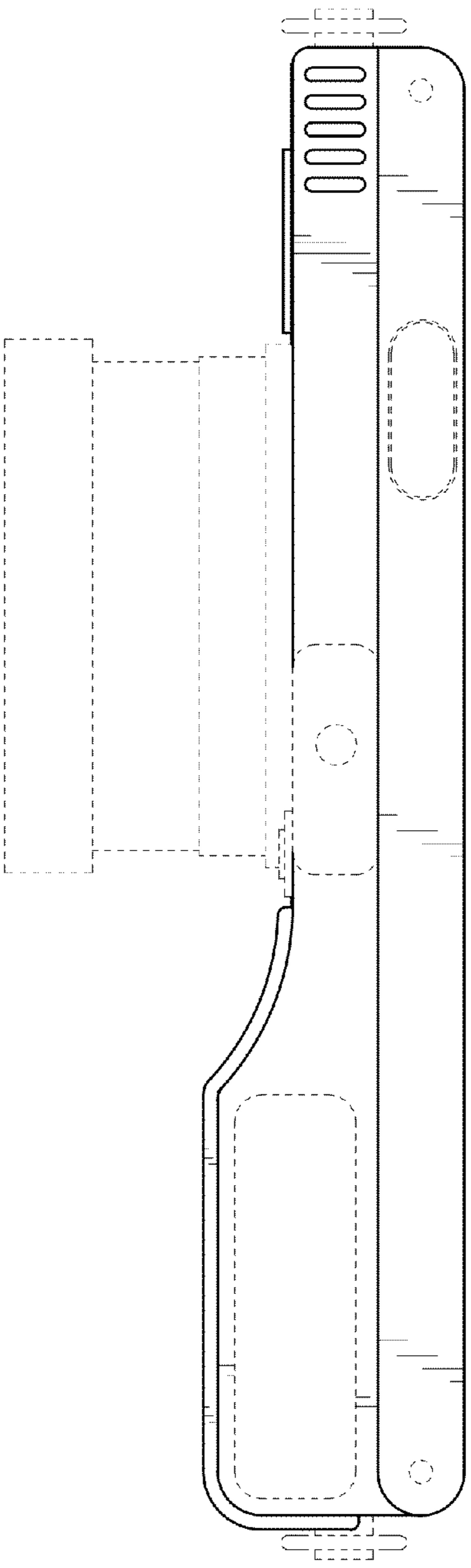


FIG. 7

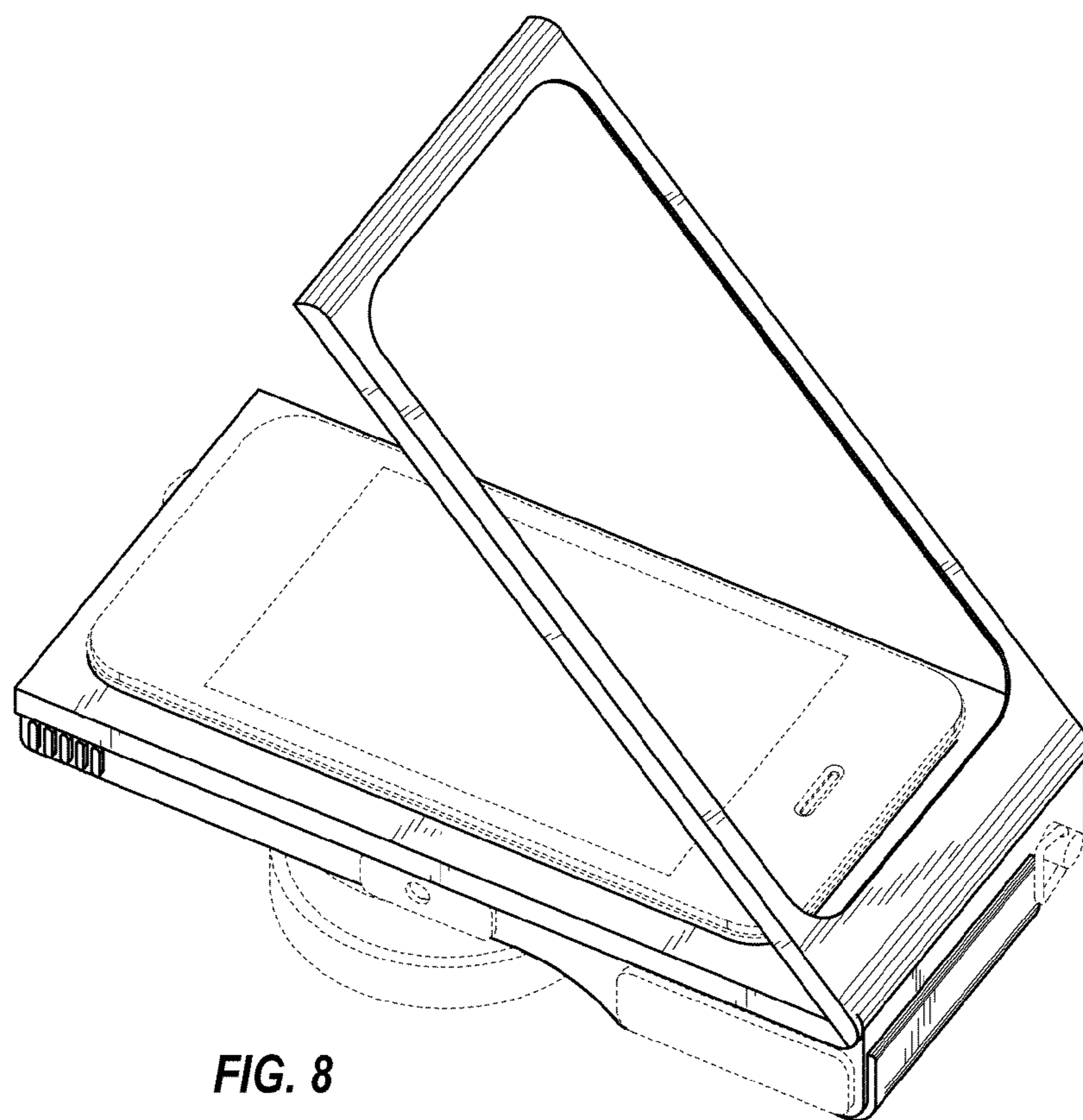


FIG. 8

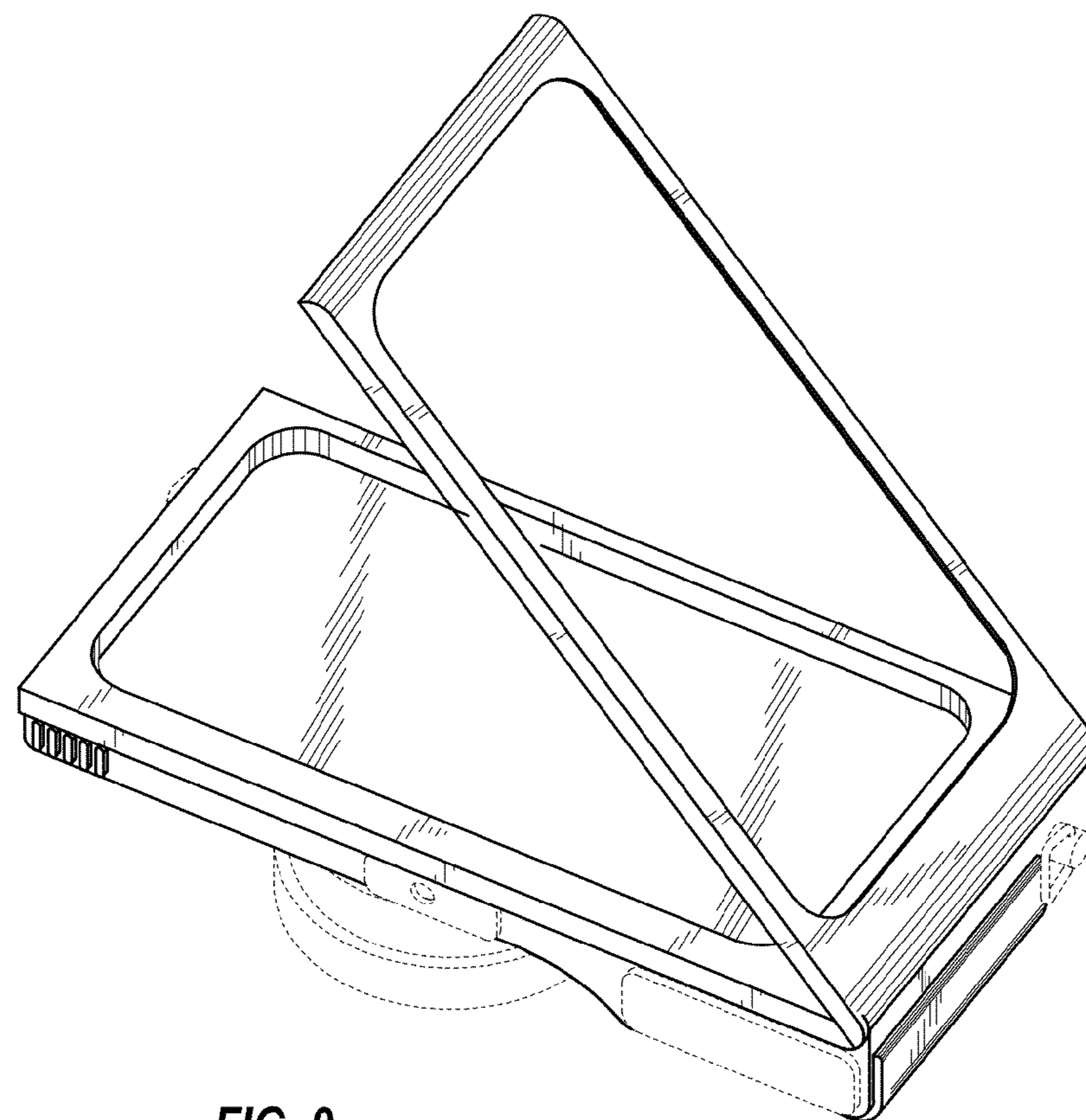


FIG. 9

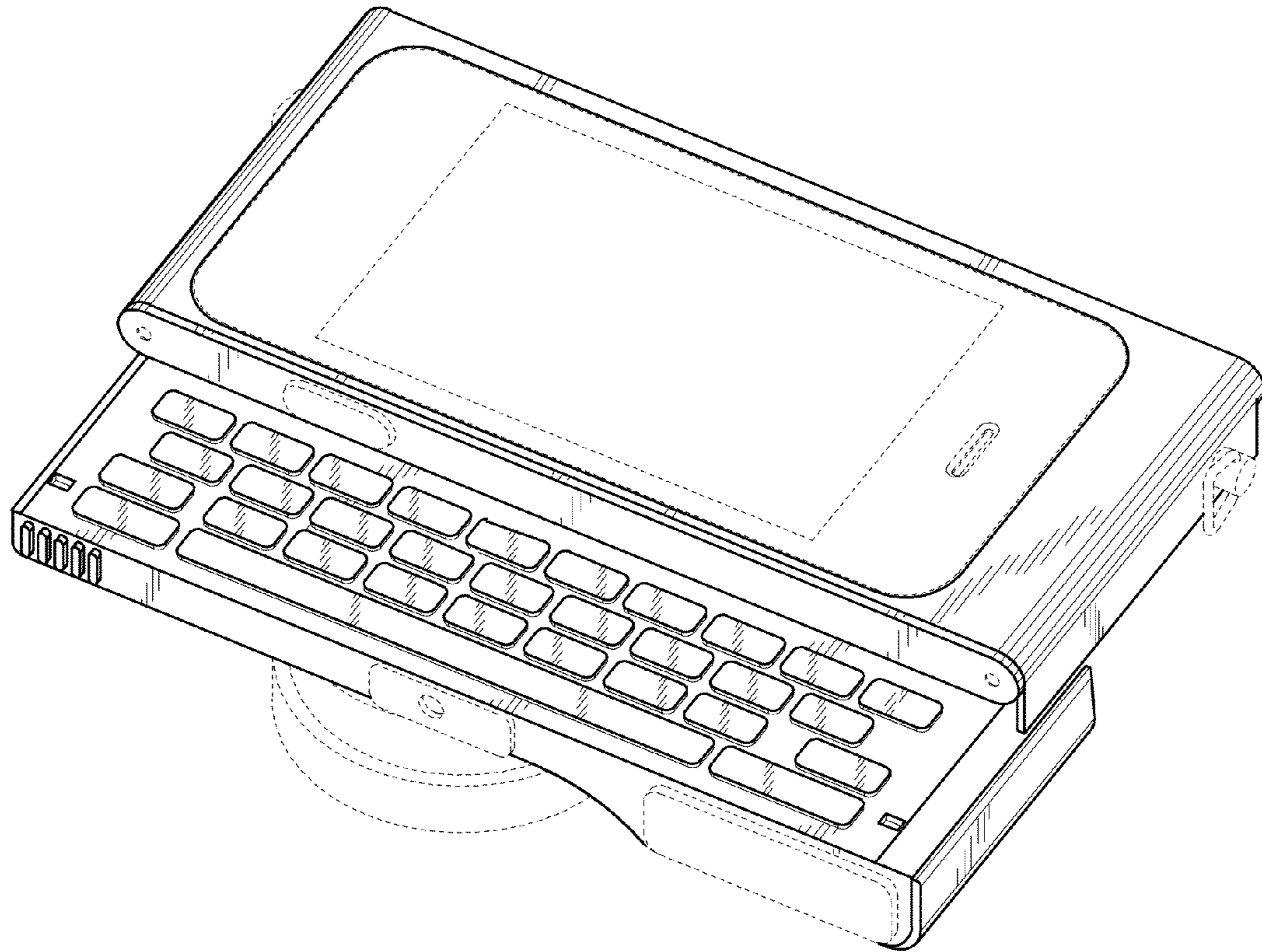


FIG. 10

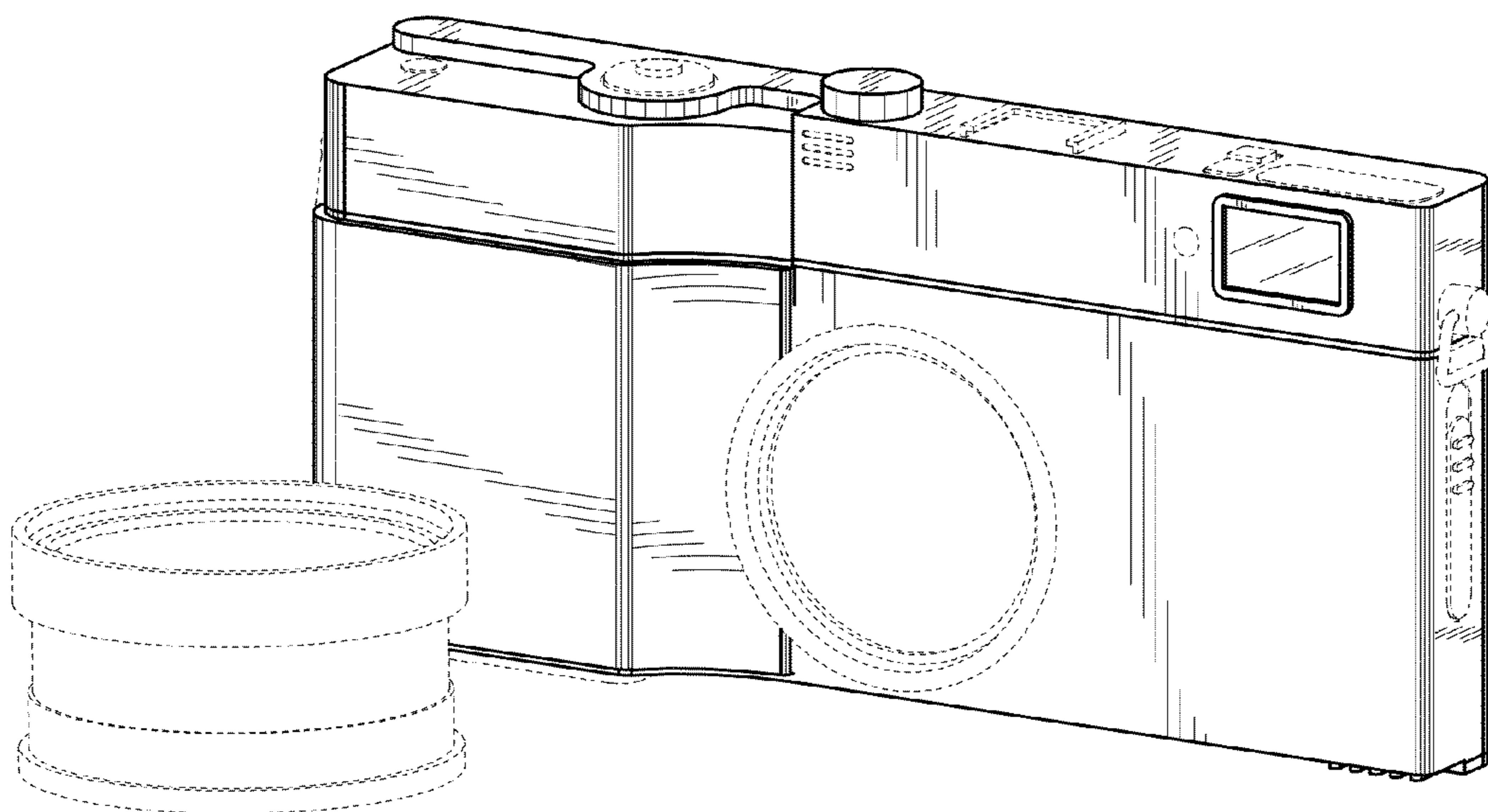


FIG. 11