



US00D717287S

(12) **United States Design Patent**
Macrina et al.

(10) **Patent No.:** **US D717,287 S**

(45) **Date of Patent:** **** Nov. 11, 2014**

(54) **PROTECTIVE CASE FOR AN ELECTRONIC DEVICE**

(71) Applicant: **G-Form, LLC**, Providence, RI (US)

(72) Inventors: **Maria E. Macrina**, Providence, RI (US); **Richard L. Garrard**, Newport, RI (US); **Daniel M. Wyner**, North Scituate, RI (US)

(73) Assignee: **G-Form, LLC**, Providence, RI (US)

(**) Term: **14 Years**

(21) Appl. No.: **29/441,558**

(22) Filed: **Jan. 7, 2013**

(51) **LOC (10) Cl.** **14-03**

(52) **U.S. Cl.**
USPC **D14/250**

(58) **Field of Classification Search**

CPC G06F 1/181; G06F 1/184; G06F 1/187;
G07F 17/3216; G11B 33/128; H05K 5/0217;
H05K 5/02
USPC D14/138 AD, 138 C, 138 G, 203.7, 230,
D14/238.1, 240, 247, 248, 250, 253, 341,
D14/345, 346, 439, 440, 447, 496;
D13/103, 107, 119; D3/201, 218, 269,
D3/273, 293, 294, 905; 206/320;
455/575.1, 575.4, 575.8; D24/158;
396/27; D16/204, 218; D7/629;
312/223.1

See application file for complete search history.

(56) **References Cited**

U.S. PATENT DOCUMENTS

D566,484	S	*	4/2008	George	D7/629
D567,793	S	*	4/2008	Eguchi	D14/138 AB
D649,149	S	*	11/2011	Peng	D14/315
D667,823	S	*	9/2012	Merenda	D14/250
D669,587	S	*	10/2012	Mayer	D24/158
D686,629	S	*	7/2013	Trinh et al.	D14/447
D697,504	S	*	1/2014	Yang	D14/250
D698,772	S	*	2/2014	Merenda	D14/250
2013/0127309	A1	*	5/2013	Wyner et al.	312/223.1

* cited by examiner

Primary Examiner — Thomas Johannes

Assistant Examiner — Chelsea Sealey

(74) *Attorney, Agent, or Firm* — Michele J. Young

(57) **CLAIM**

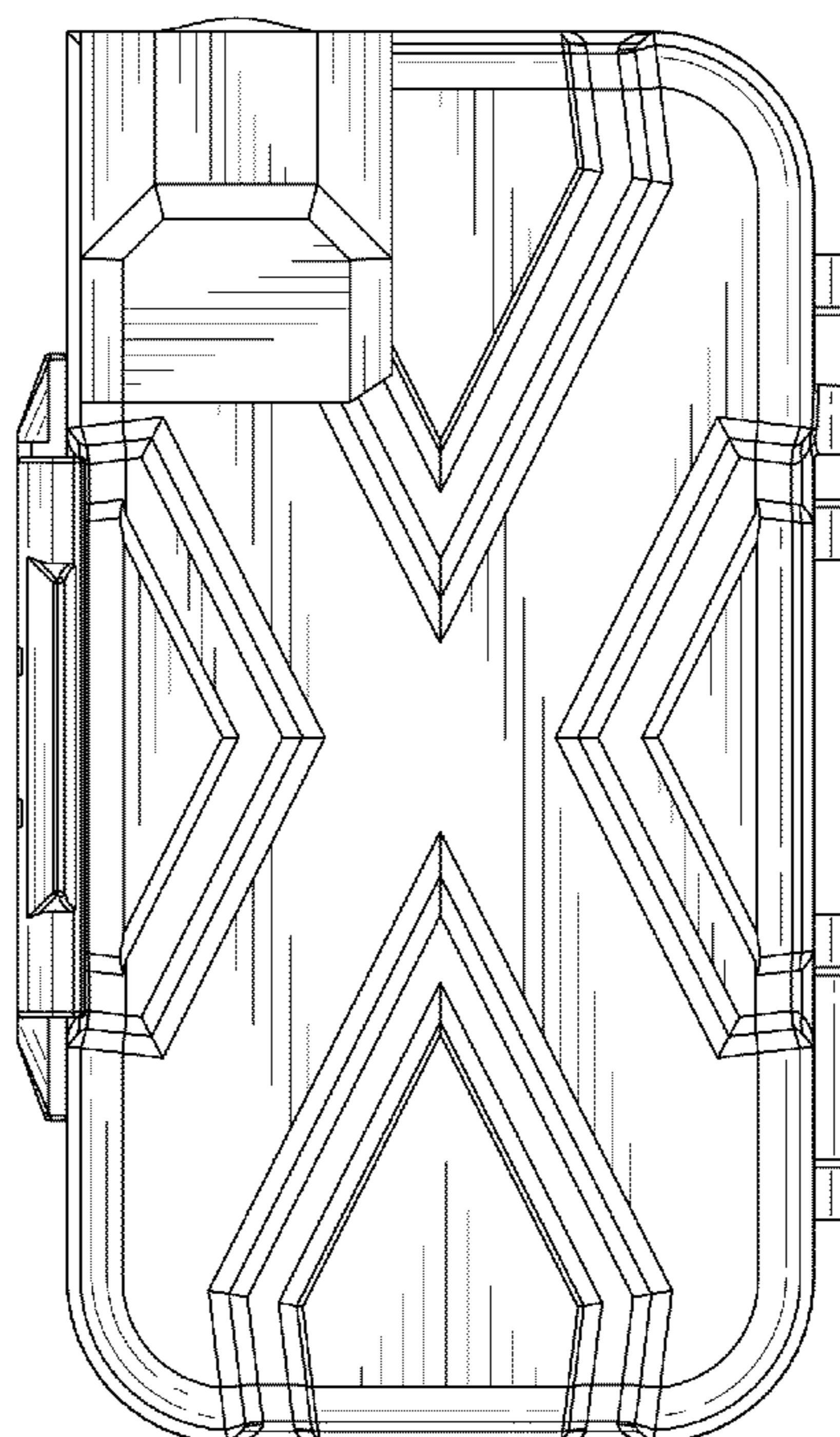
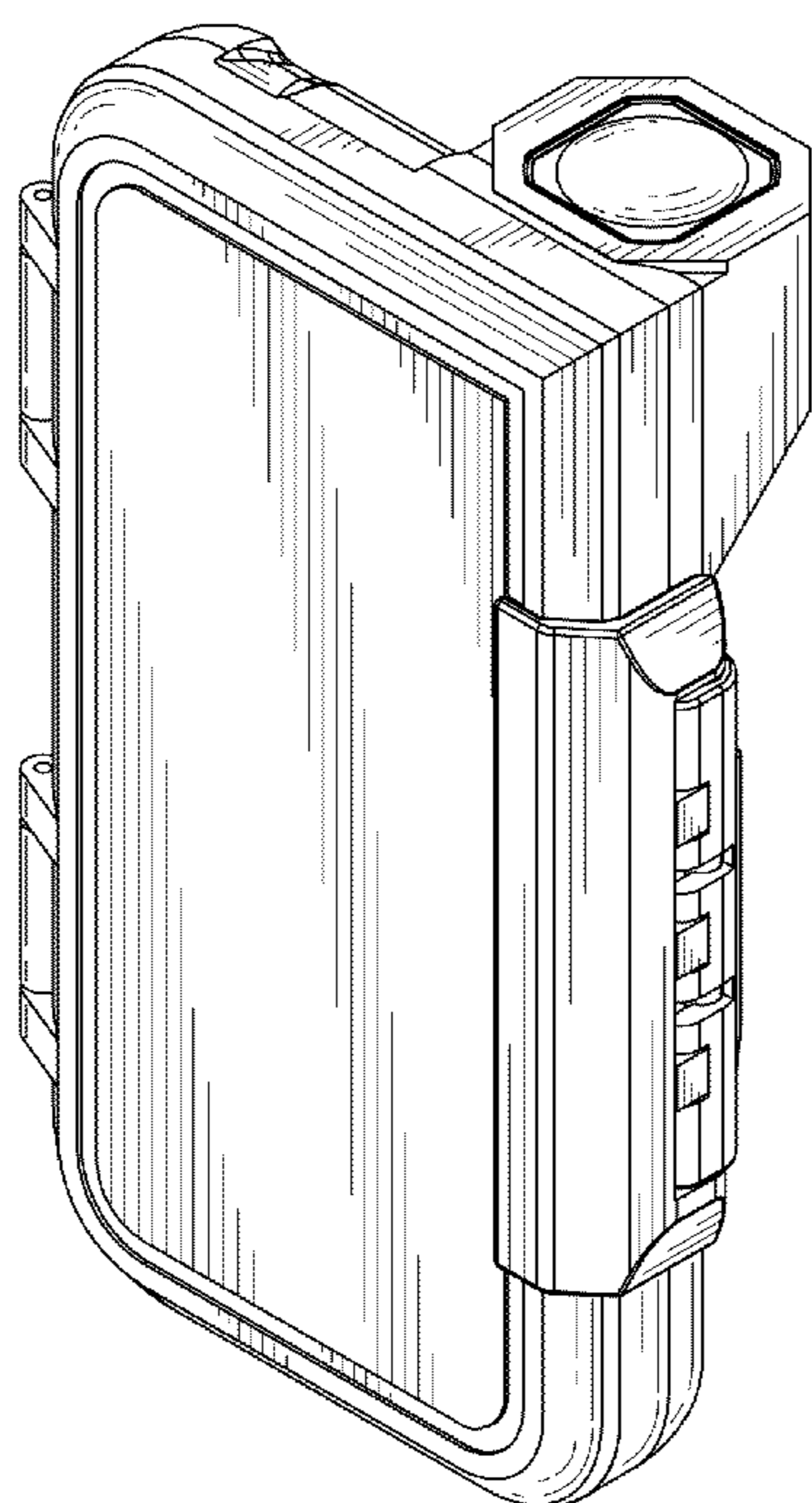
We claim the ornamental design for a protective case for an electronic device, as shown and described.

DESCRIPTION

FIG. 1 is a perspective view of a protective case for an electronic device showing our new design; FIG. 2 is a front plan view thereof; FIG. 3 is a rear plan view thereof; FIG. 4 is a left side elevation view thereof; FIG. 5 is a right side elevation view thereof; FIG. 6 is a top elevation view thereof; and, FIG. 7 is a bottom elevation view thereof.

The portions shown in broken lines are included for illustrative purposes and form no part of the claimed design.

1 Claim, 7 Drawing Sheets



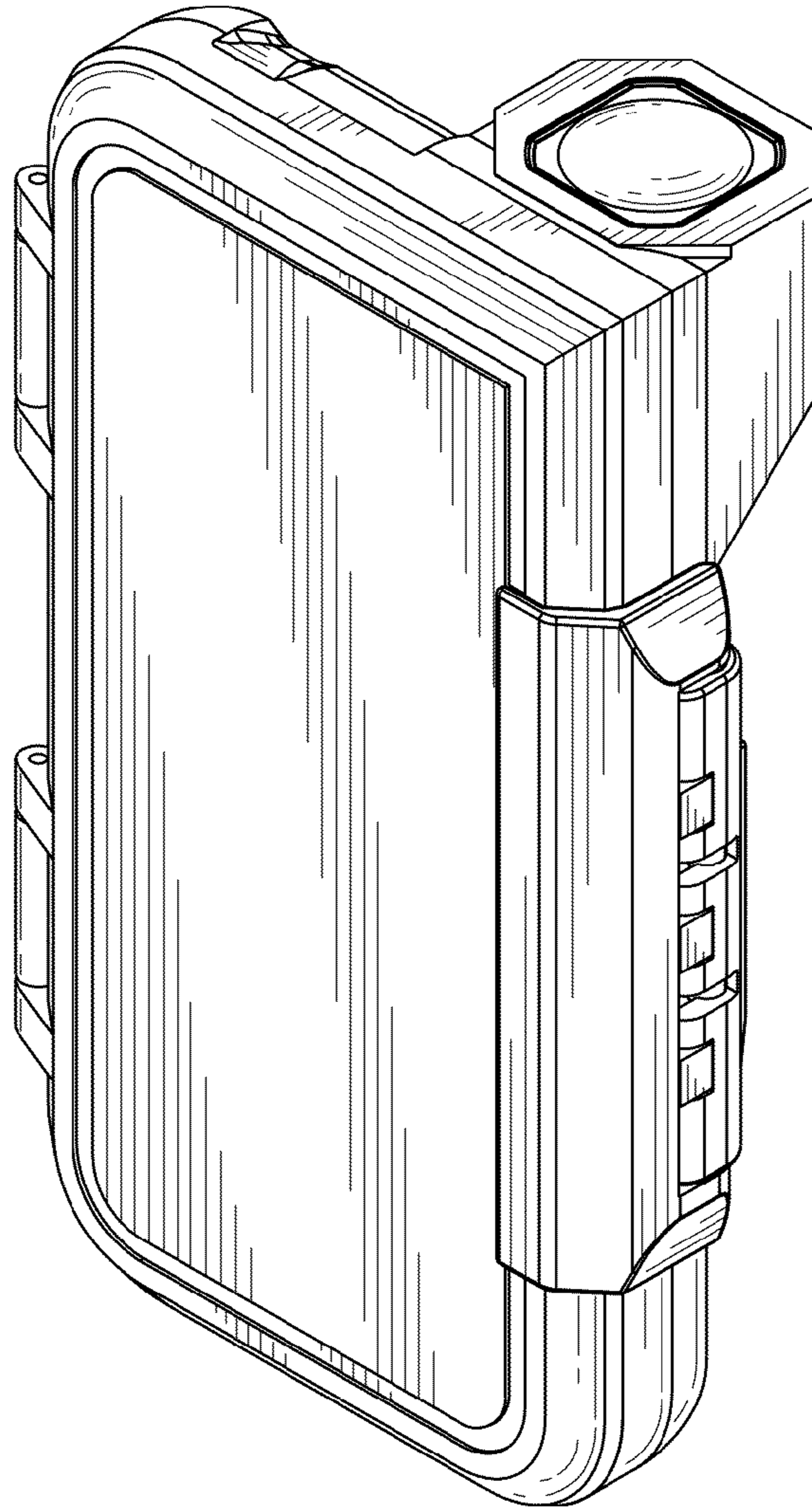


FIG. 1

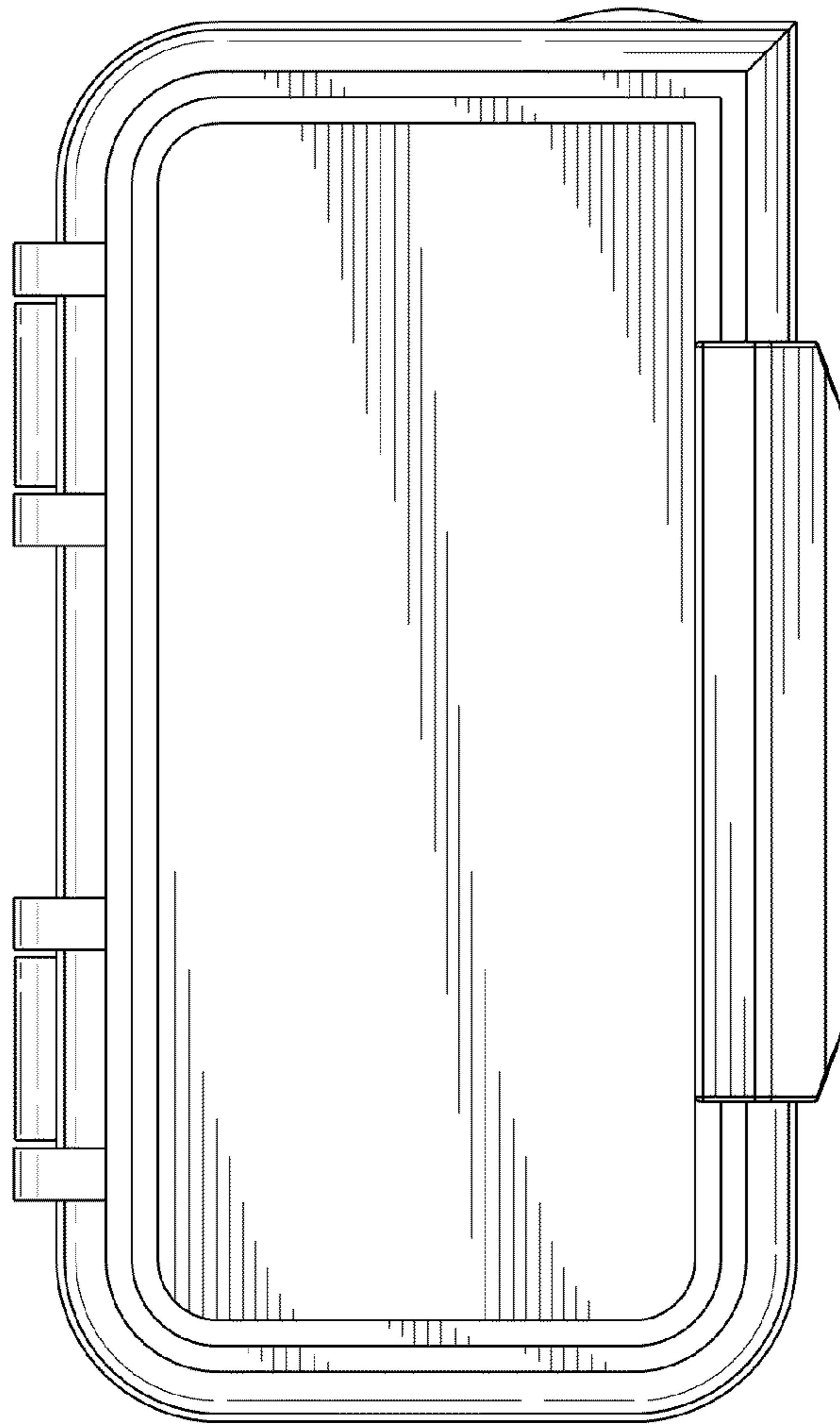


FIG. 2

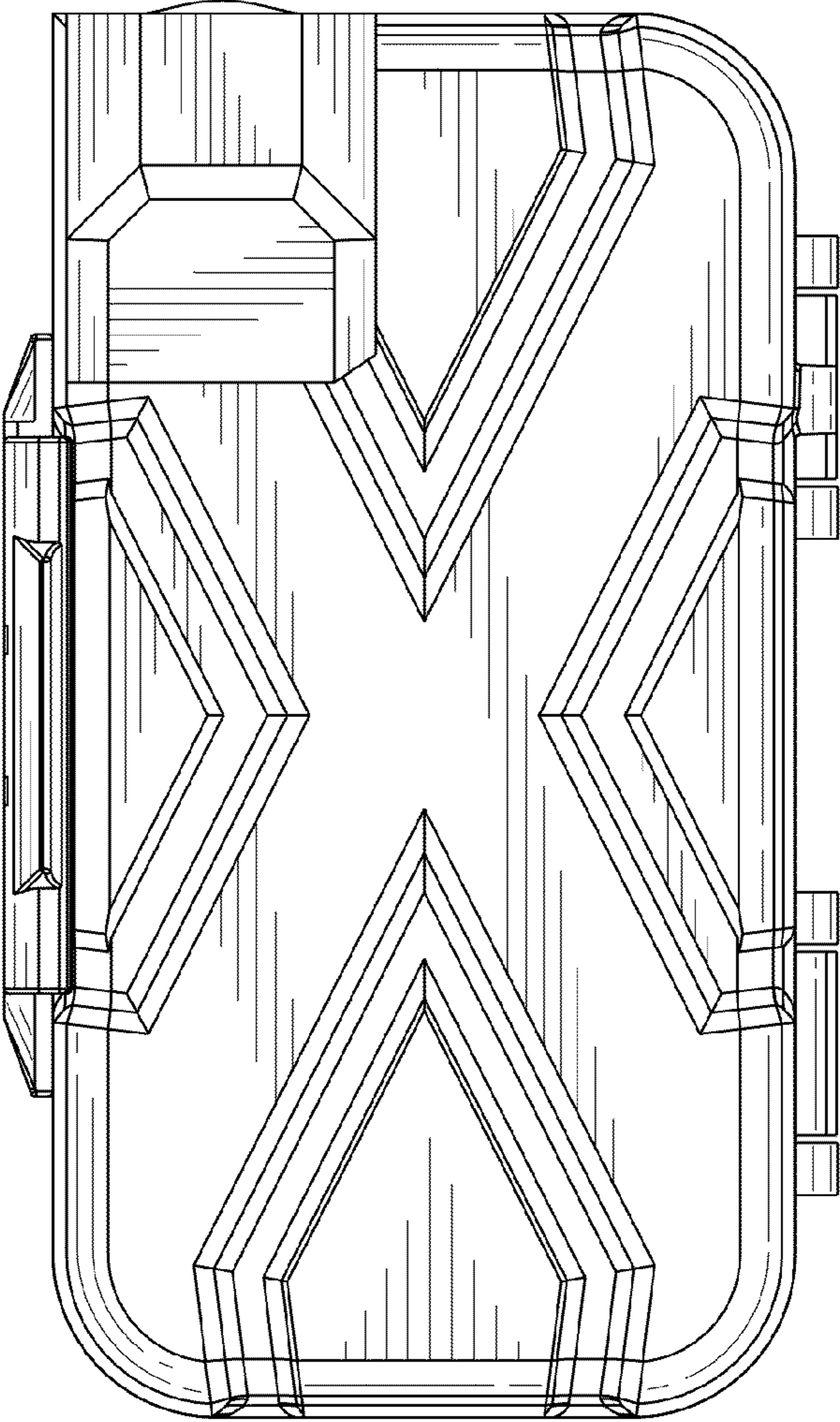


FIG. 3

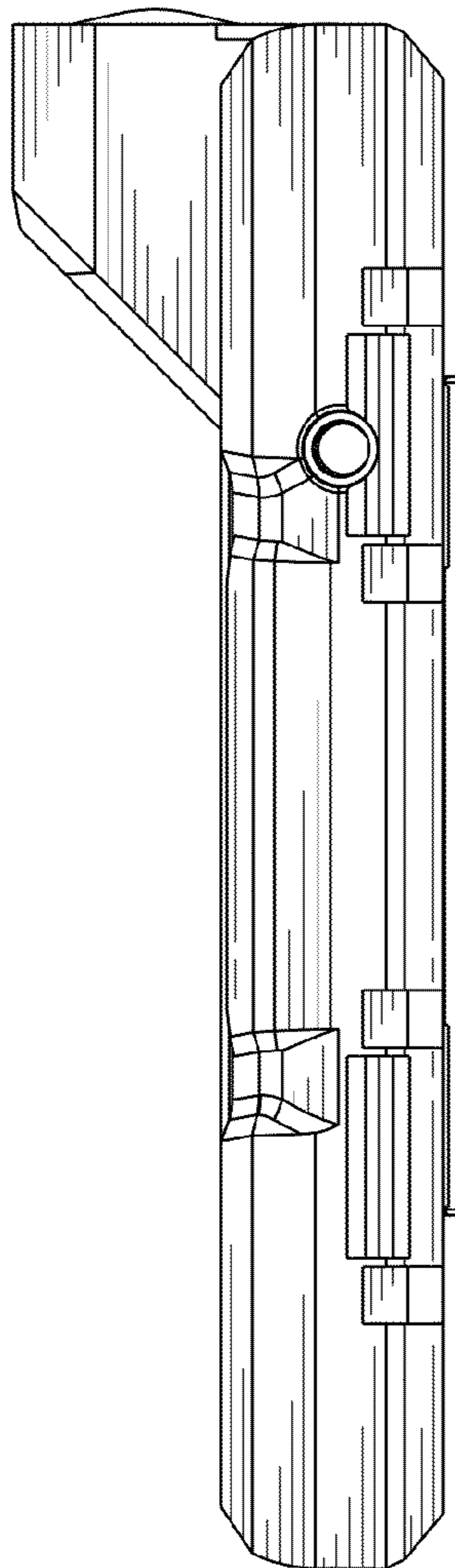


FIG. 4

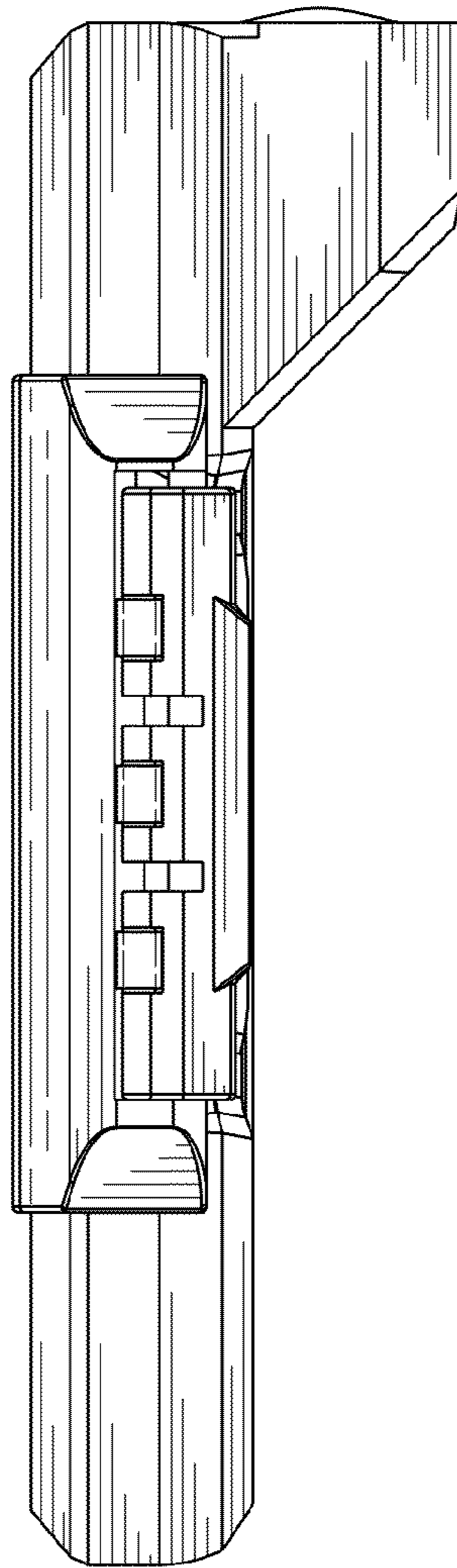


FIG. 5

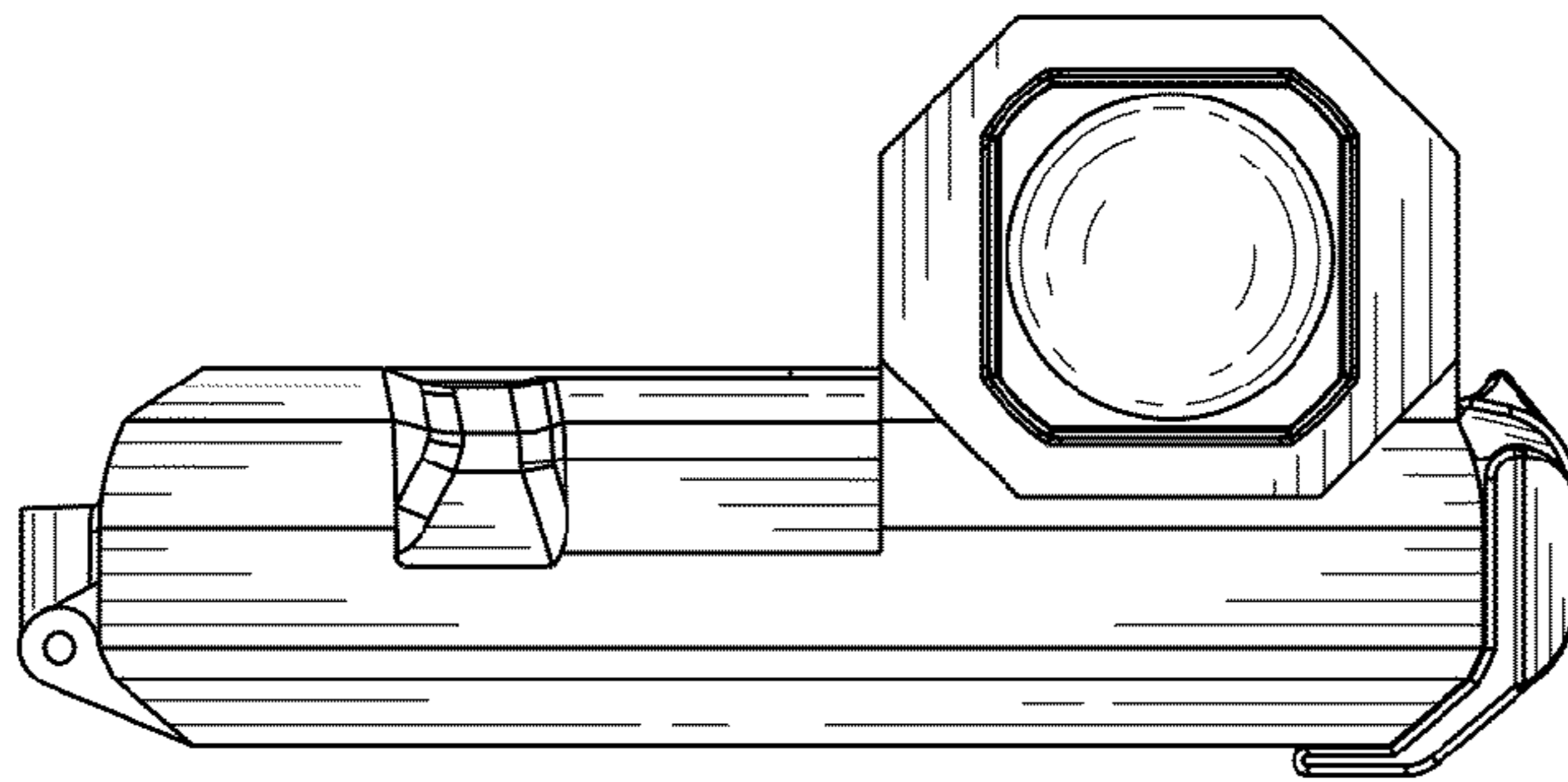


FIG. 6

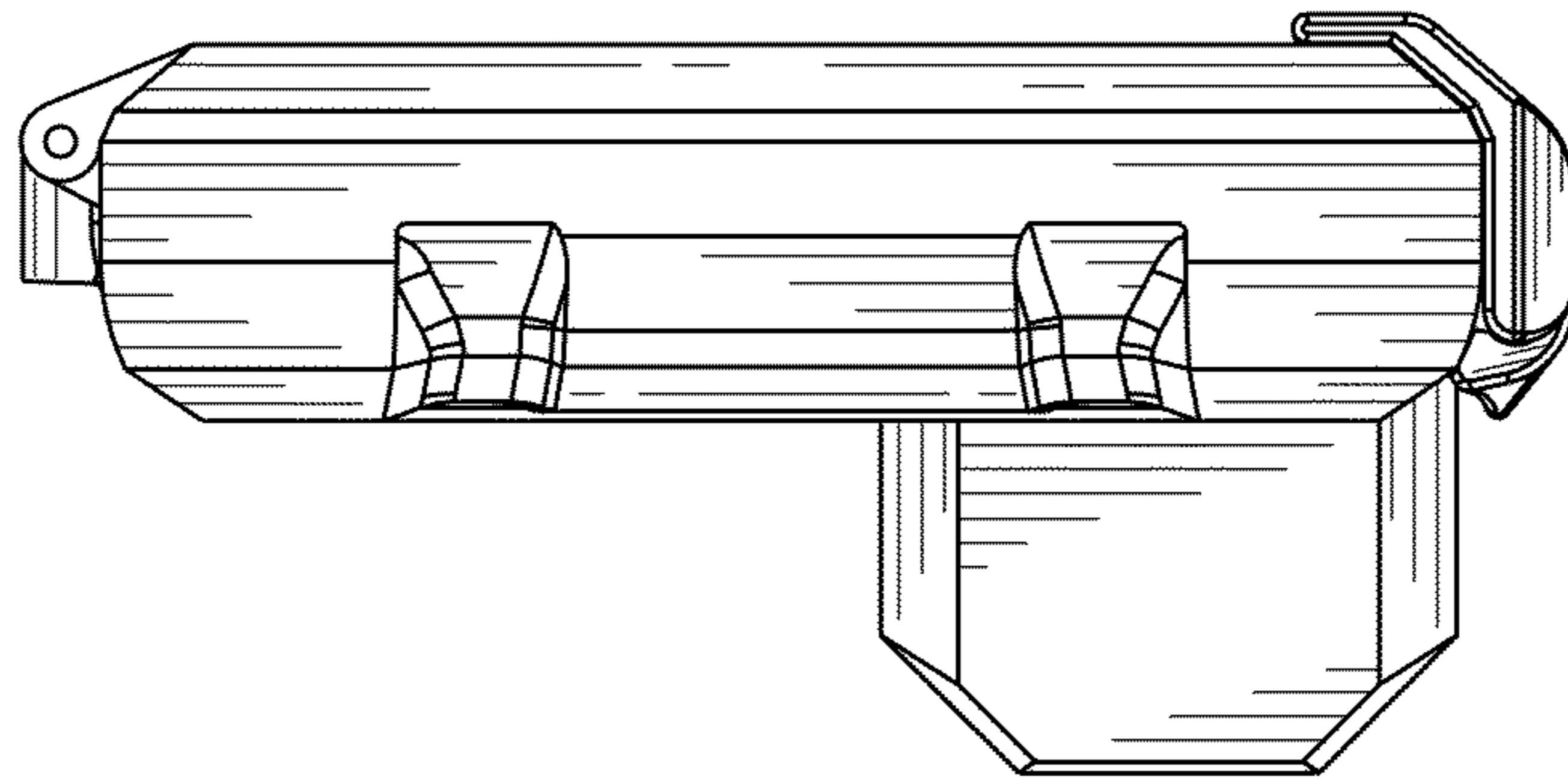


FIG. 7