



US00D717276S

(12) **United States Design Patent**  
**Zhou**

(10) **Patent No.:** **US D717,276 S**

(45) **Date of Patent:** **\*\* Nov. 11, 2014**

(54) **HEADPHONE**

(71) Applicant: **Tongyan Zhou**, Shenzhen (CN)

(72) Inventor: **Tongyan Zhou**, Shenzhen (CN)

(73) Assignee: **Noon Technology Co. Ltd**, Shenzhen,  
Guangdong Province (CN)

(\*\*) Term: **14 Years**

(21) Appl. No.: **29/471,366**

(22) Filed: **Oct. 30, 2013**

(51) **LOC (10) CI.** ..... **14-01**

(52) **U.S. Cl.**  
USPC ..... **D14/205**

(58) **Field of Classification Search**  
CPC ..... H04R 25/00; H04S 1/00  
USPC ..... D14/205, 206; D29/112; 2/209;  
181/129, 130, 135; 379/430, 431;  
381/380, 381, 383, 374; 455/90.3,  
455/569.1

See application file for complete search history.

(56) **References Cited**

**U.S. PATENT DOCUMENTS**

6,654,966 B2 \* 12/2003 Rolla ..... 2/209  
7,072,483 B2 \* 7/2006 Lenhard-Backhaus ..... 381/383  
D552,077 S \* 10/2007 Brunner et al. .... D14/205  
D632,668 S \* 2/2011 Brunner et al. .... D14/205

D652,406 S \* 1/2012 Lee et al. .... D14/205  
D657,344 S \* 4/2012 Brunner et al. .... D14/205  
D673,520 S \* 1/2013 Tan ..... D14/205  
D683,329 S \* 5/2013 Hagelin ..... D14/205  
D691,112 S \* 10/2013 Brunner et al. .... D14/206  
D692,410 S \* 10/2013 Brunner et al. .... D14/206  
D693,791 S \* 11/2013 Troy ..... D14/205  
D698,334 S \* 1/2014 Fujioka ..... D14/205  
D699,702 S \* 2/2014 Chen ..... D14/205  
D708,164 S \* 7/2014 Ishikura ..... D14/205  
D709,860 S \* 7/2014 Brunner et al. .... D14/205

\* cited by examiner

*Primary Examiner* — Paula Greene

(74) *Attorney, Agent, or Firm* — Michael D. Eisenberg;  
Jeanette Meng Nakagawa

(57) **CLAIM**

The ornamental design for a headphone, as shown and described.

**DESCRIPTION**

FIG. 1 is a perspective view of a headphone showing my new design;

FIG. 2 is a front view thereof;

FIG. 3 is a right side view thereof;

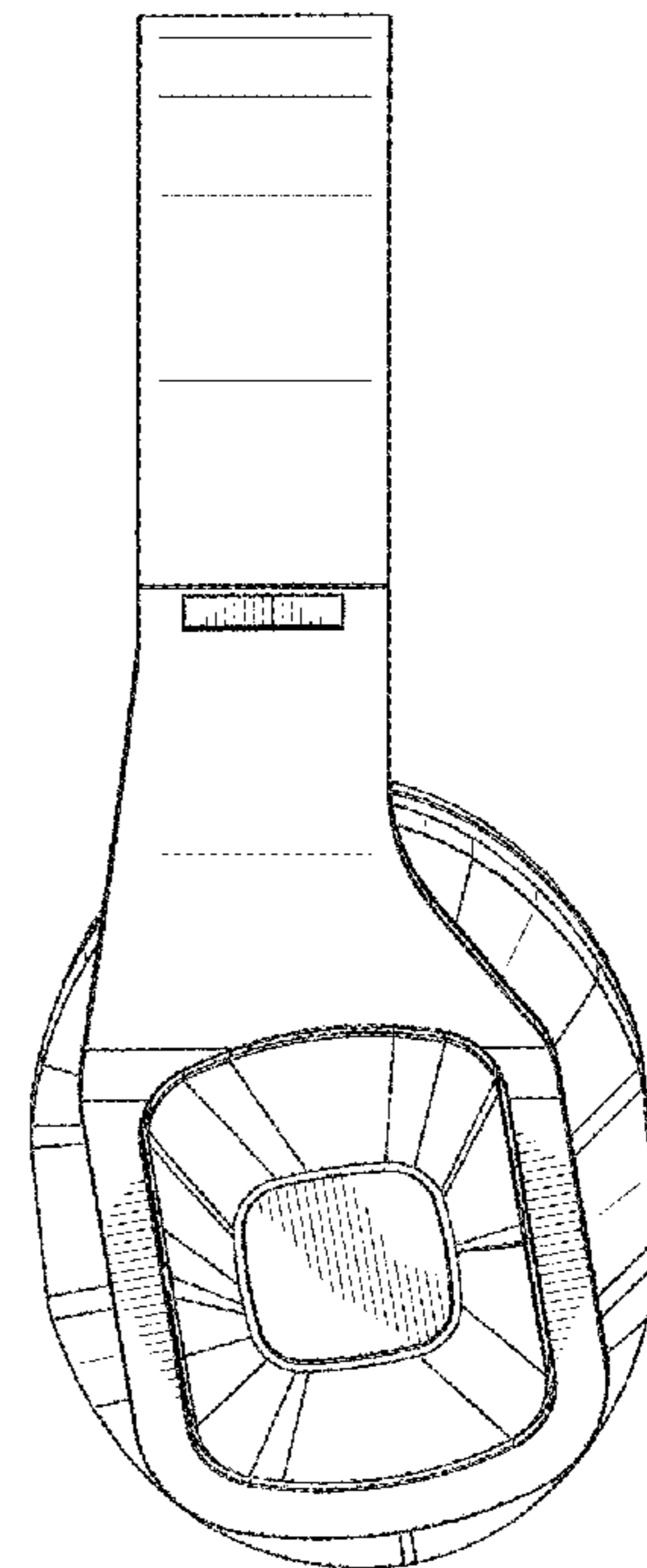
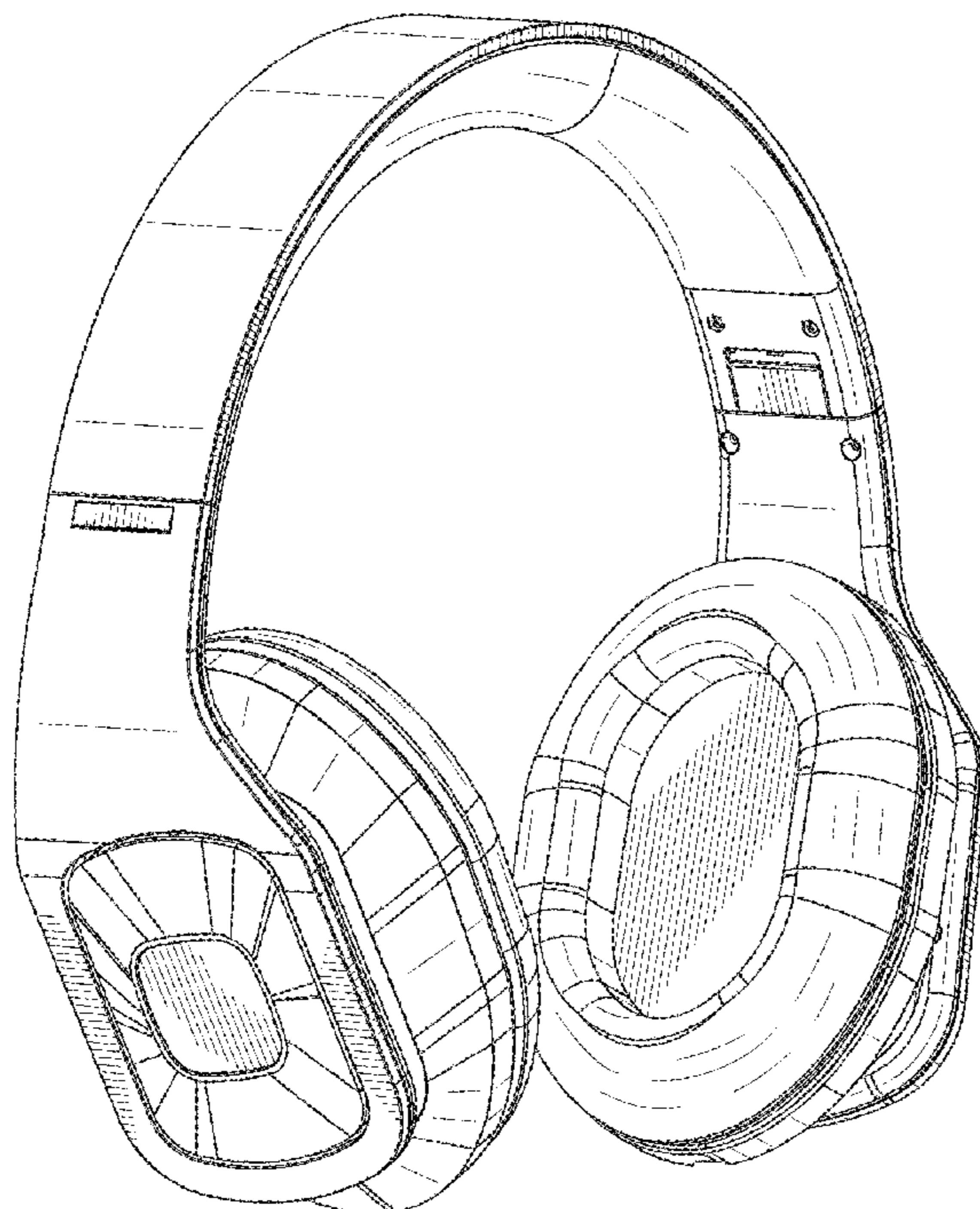
FIG. 4 is a left side view thereof;

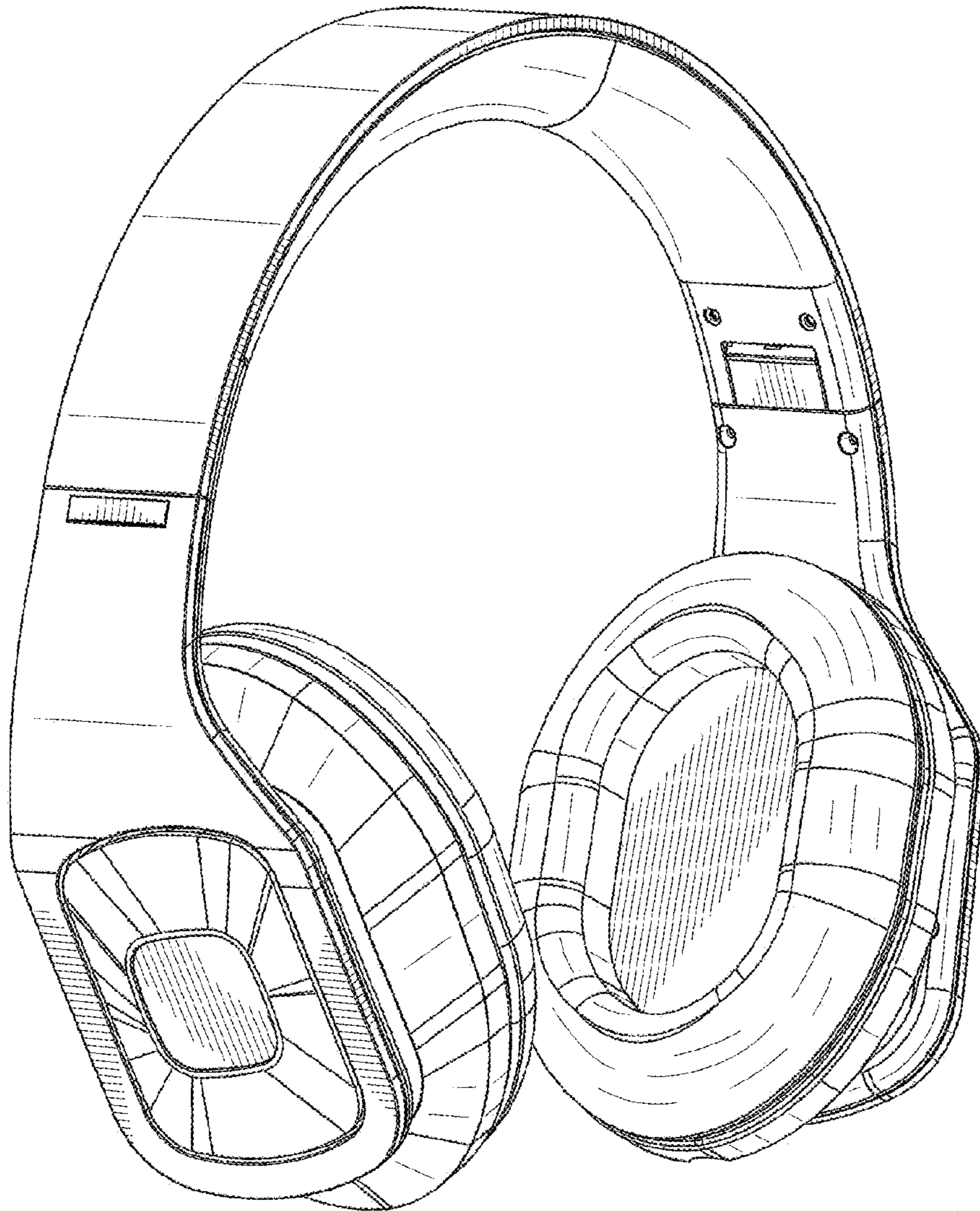
FIG. 5 is a back view thereof;

FIG. 6 is a top view thereof; and,

FIG. 7 is a bottom view thereof.

**1 Claim, 7 Drawing Sheets**

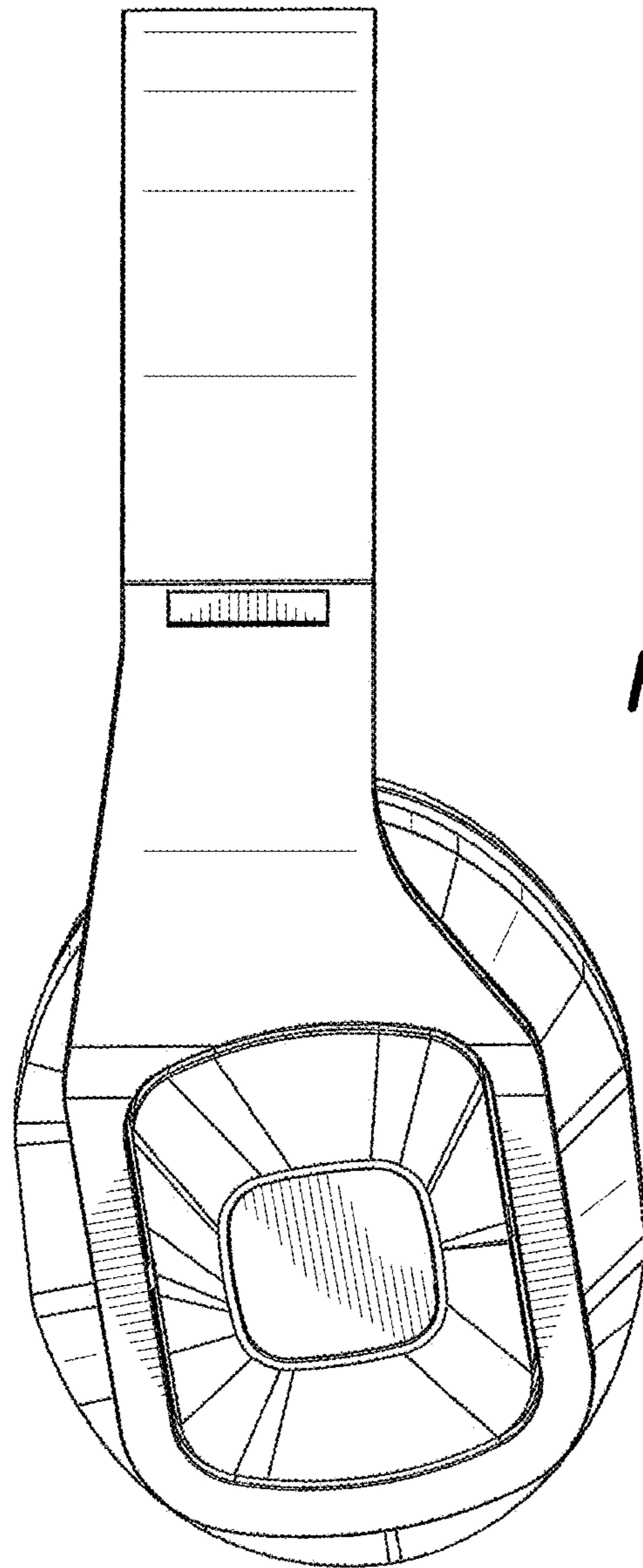




**FIG. 1**



FIG. 2



**FIG. 3**

**FIG. 4**

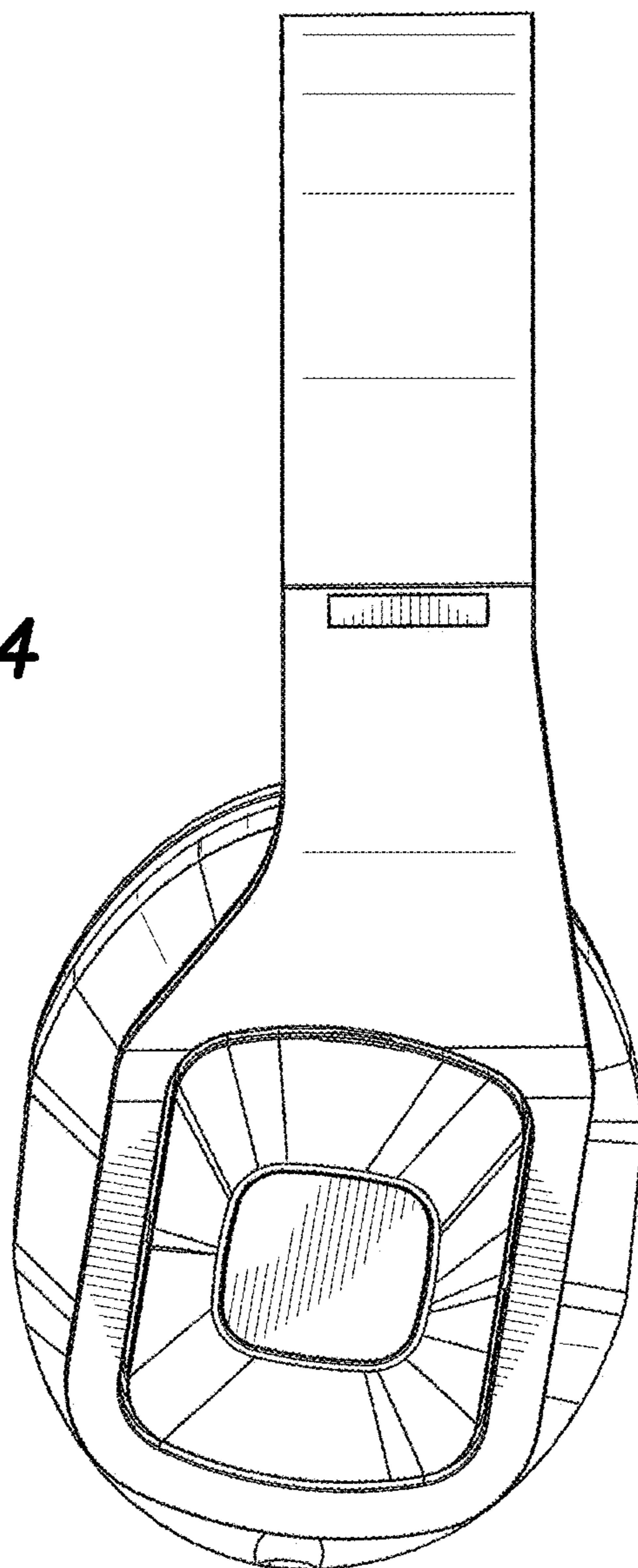
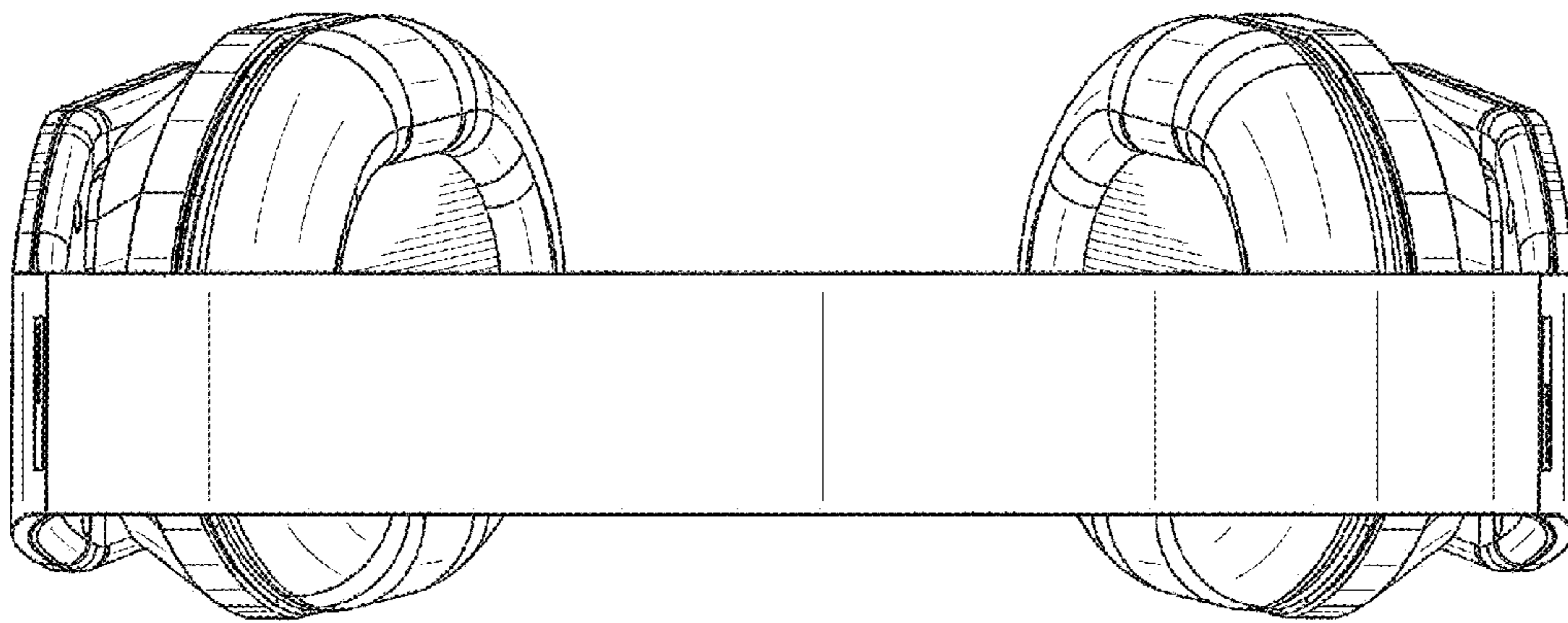
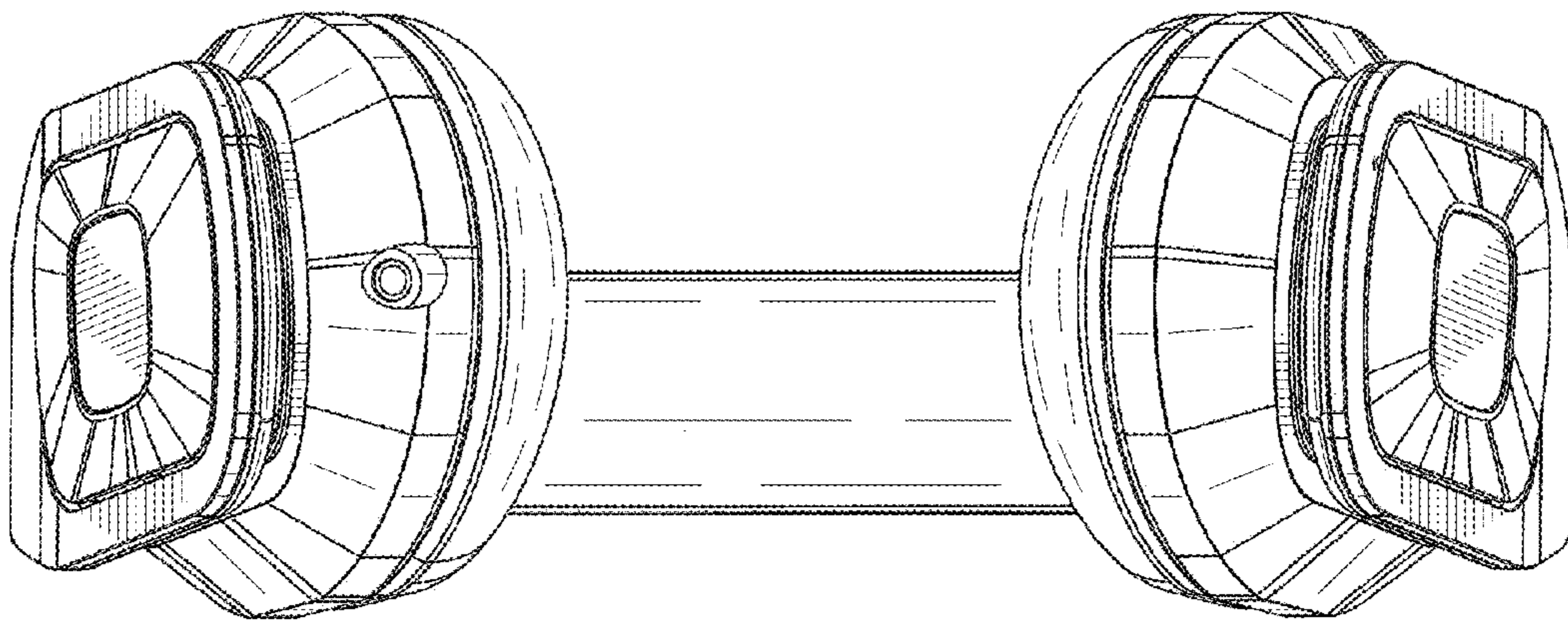




FIG. 5



**FIG. 6**



**FIG. 7**