

US00D717273S

(12) **United States Design Patent**
Thomas

(10) **Patent No.:** **US D717,273 S**
(45) **Date of Patent:** **** Nov. 11, 2014**

- (54) **EAR TIP**
- (71) Applicant: **3M Innovative Properties Company**,
St. Paul, MN (US)
- (72) Inventor: **Ravi Thomas**, Avon, IN (US)
- (73) Assignee: **3M Innovative Properties Company**,
St. Paul, MN (US)
- (**) Term: **14 Years**
- (21) Appl. No.: **29/453,922**
- (22) Filed: **May 3, 2013**
- (51) **LOC (10) Cl.** **14-01**
- (52) **U.S. Cl.**
USPC **D14/205**
- (58) **Field of Classification Search**
CPC H04R 25/00
USPC D14/205, 223; 181/129, 130, 135;
379/430, 431; 381/380, 381, 322, 328,
381/330; 455/90.3, 575.1; 128/864, 865,
128/866, 867; D24/174, 106
See application file for complete search history.

5,044,463	A *	9/1991	Carr	181/135
5,068,902	A *	11/1991	Ward	381/328
D341,656	S	11/1993	Leight		
5,668,354	A *	9/1997	Falco	181/135
5,799,658	A *	9/1998	Falco	128/864
6,006,857	A *	12/1999	Leight et al.	181/135
D423,664	S *	4/2000	Falco	D24/106
D449,592	S *	10/2001	Koss et al.	D14/223
D481,118	S	10/2003	Doty		
D541,412	S *	4/2007	Benner	D24/106
D606,648	S	12/2009	Benner		
D617,891	S *	6/2010	Turdjian	D24/106
7,778,434	B2 *	8/2010	Juneau et al.	381/328
D636,484	S	4/2011	Tiemens		
D654,163	S	2/2012	Tiemens		
D654,582	S	2/2012	Gehling		
2010/0300461	A1 *	12/2010	Gilder et al.	128/864

FOREIGN PATENT DOCUMENTS

EM 222807-0001 8/2004

* cited by examiner

Primary Examiner — Paula Greene

(74) *Attorney, Agent, or Firm* — Craig A. Deutsch

(57) **CLAIM**

The ornamental design for an ear tip, as shown and described.

DESCRIPTION

FIG. 1 is a perspective view of a new, original, and ornamental design for an ear tip. FIG. 2 is a front view thereof, the rear view, left view and right view being identical thereto; FIG. 3 is a top view thereof; and, FIG. 4 is a bottom view thereof.

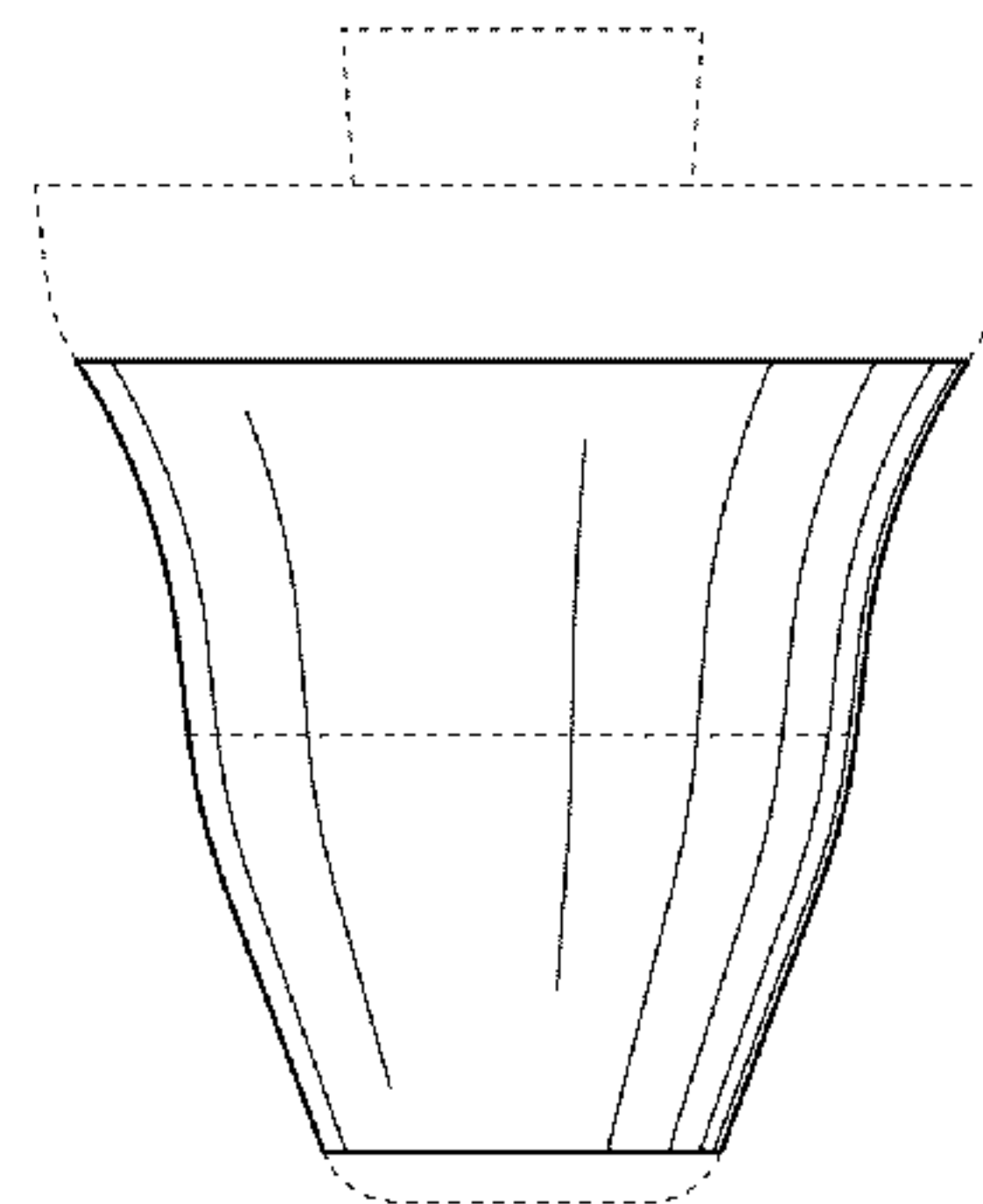
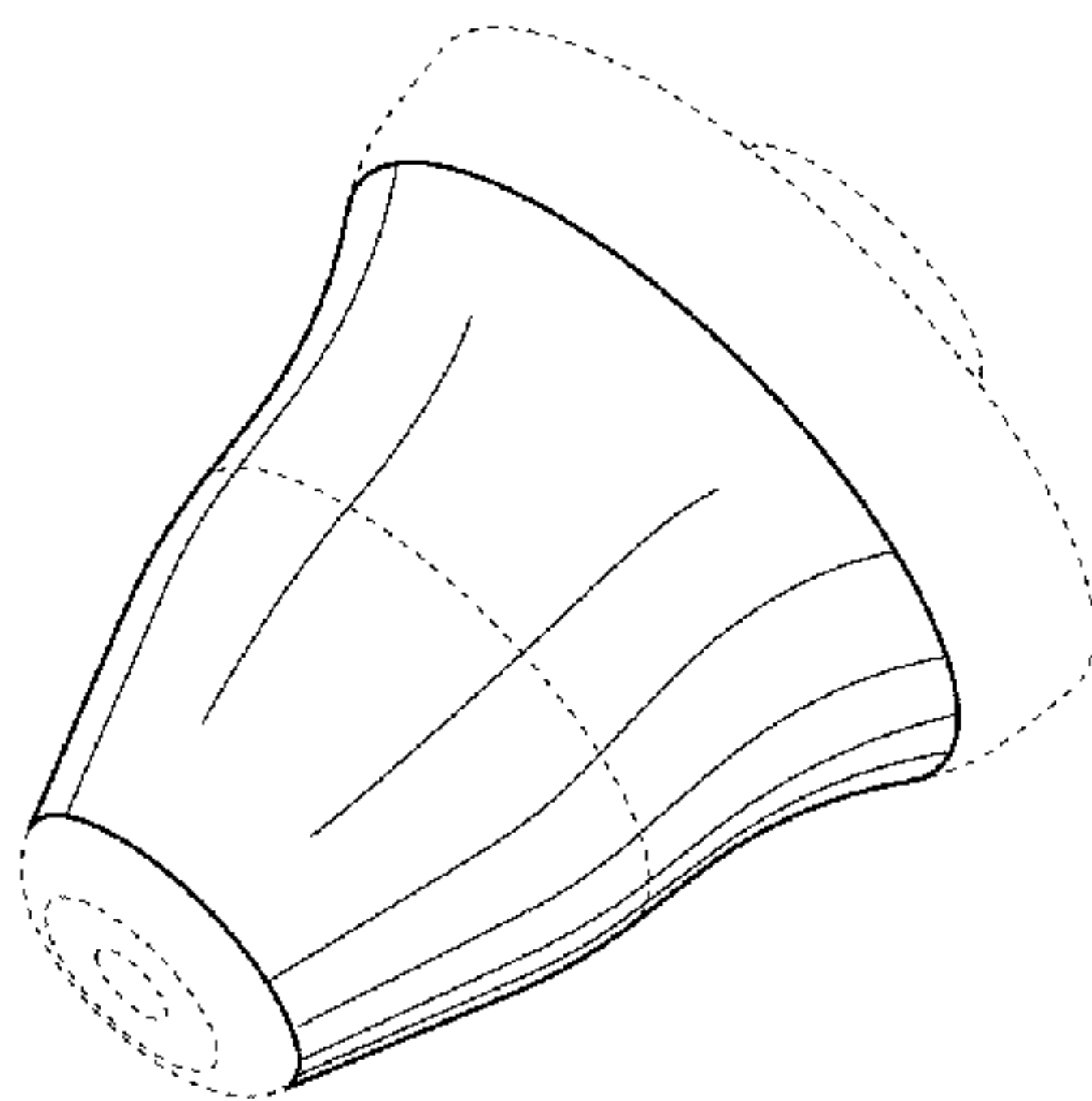
The broken line showing portions of the article is included for the purpose of illustrating environmental structure and forms no part of the claimed design. Any shading is provided to illustrate contour only and is not an indication of surface texture.

1 Claim, 1 Drawing Sheet

(56) **References Cited**

U.S. PATENT DOCUMENTS

1,279,396	A *	9/1918	Michelson et al.	128/868
2,888,921	A *	6/1959	Nielson et al.	128/865
3,123,069	A *	3/1964	Laisne et al.	128/865
3,303,902	A *	2/1967	Knott	181/135
3,702,123	A *	11/1972	Macken et al.	181/135
3,783,864	A *	1/1974	Moller	128/864
D241,881	S *	10/1976	Peterson	D24/106
4,253,452	A *	3/1981	Powers et al.	128/864
4,434,794	A *	3/1984	Leight	128/867
4,498,469	A *	2/1985	Csiki	128/867
4,774,938	A *	10/1988	Leight	128/864
5,002,151	A *	3/1991	Oliveira et al.	181/130



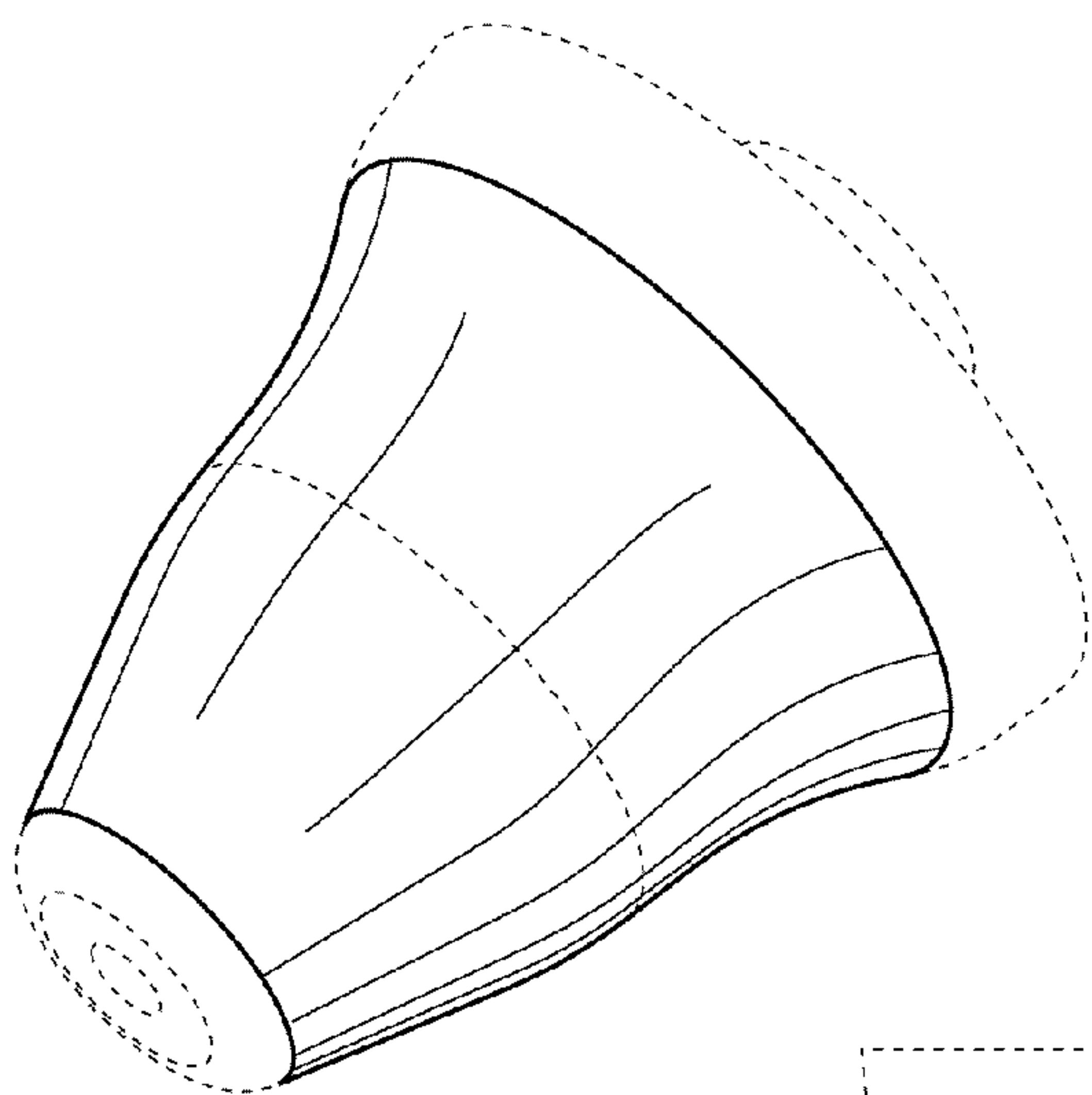


FIG. 1

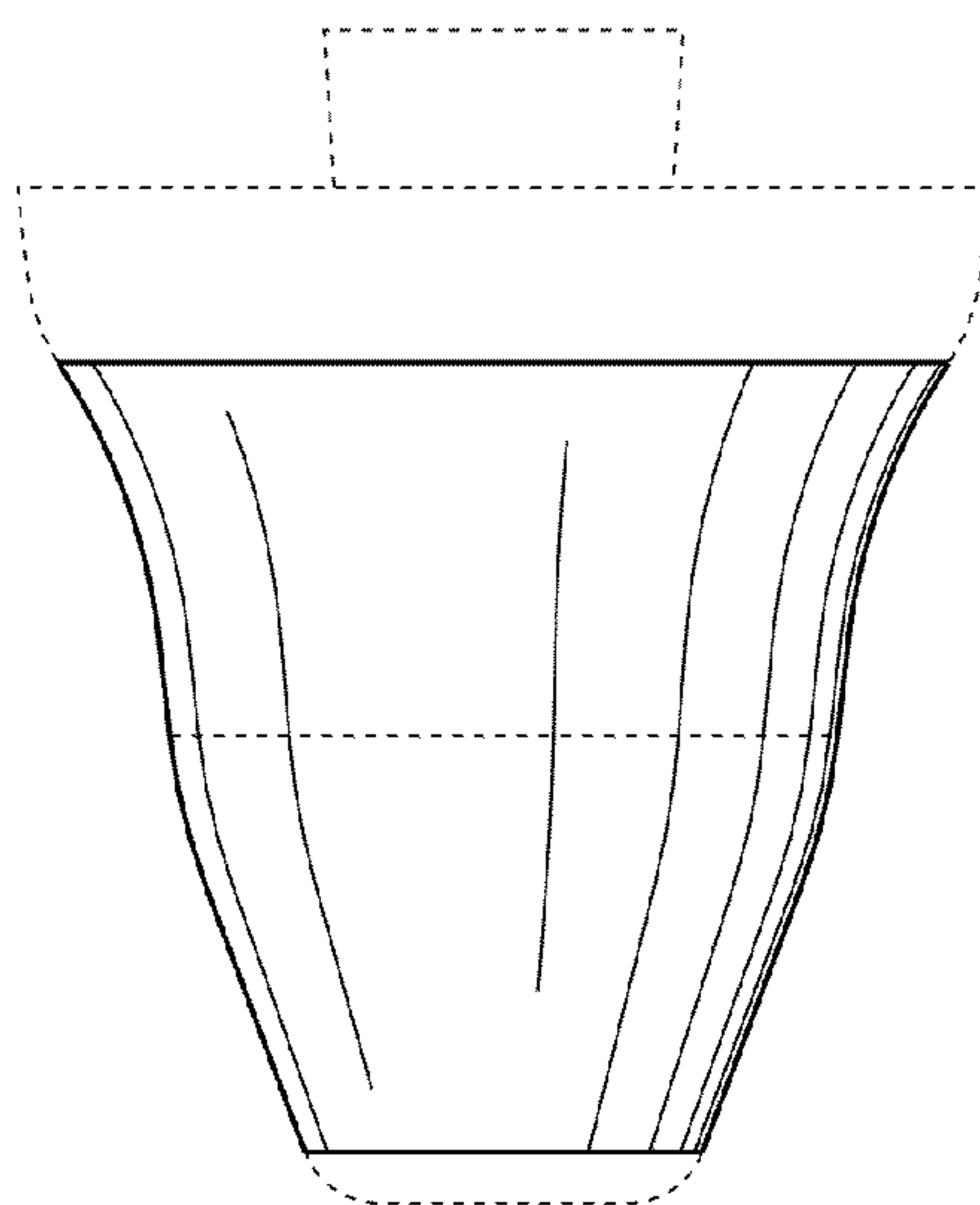


FIG. 2

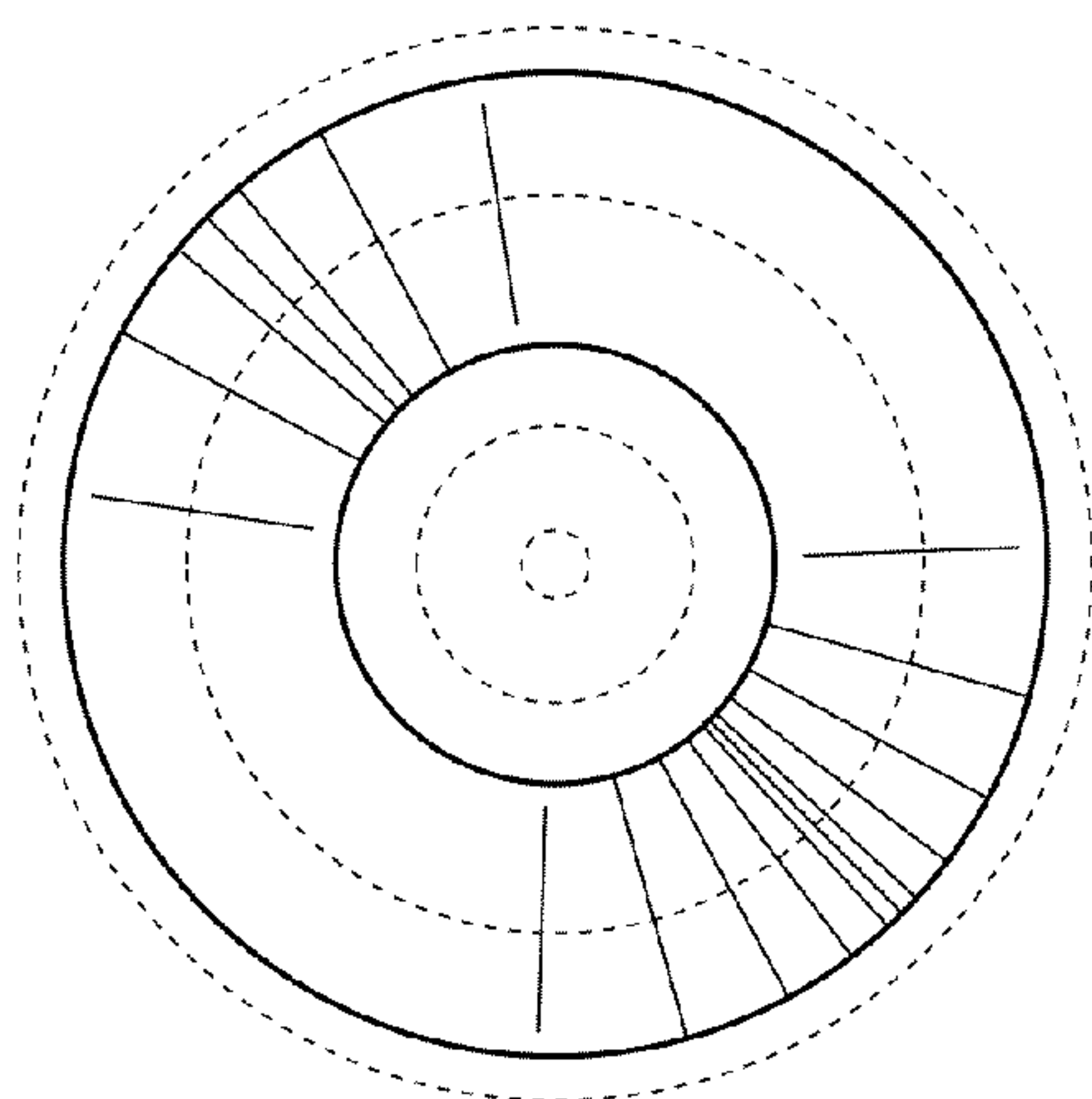


FIG. 3

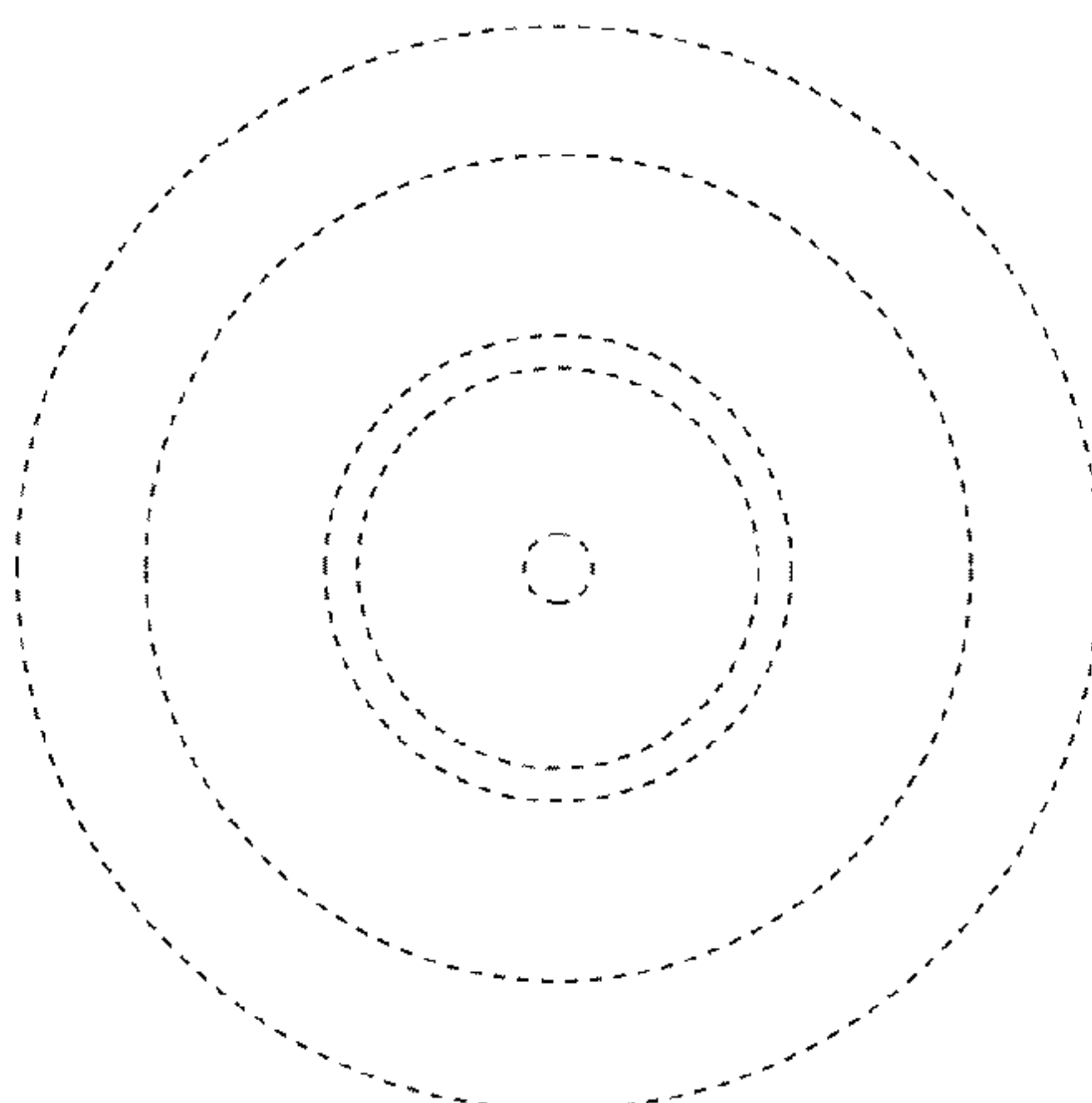


FIG. 4