



US00D717270S

(12) **United States Design Patent**
Huang et al.

(10) **Patent No.:** **US D717,270 S**

(45) **Date of Patent:** **** Nov. 11, 2014**

(54) **MUSIC PLAYER**

(71) Applicant: **Nokia Corporation**, Espoo (FI)

(72) Inventors: **Chao Huang**, Espoo (FI); **Markku Oksman**, Turku (FI)

(73) Assignee: **Nokia Corporation**, Espoo (FI)

(**) Term: **14 Years**

(21) Appl. No.: **29/472,034**

(22) Filed: **Nov. 7, 2013**

(51) **LOC (10) Cl.** **14-03**

(52) **U.S. Cl.**

USPC **D14/203.3**; D14/406

(58) **Field of Classification Search**

USPC D14/496, 401, 435, 474, 483, 217, 137,
D14/138, 160, 168, 356, 203.1–203.8, 507;
345/156, 169, 173–179, 905;
715/727–729, 864; 710/1, 5, 8; 713/1,
713/600; 455/1.1, 1.7, 73, 344–347, 93, 95,
455/3.01–3.06, 550.1, 573.1; 370/342–344;
369/1, 2, 6–12; 463/43–47; 273/148 B

See application file for complete search history.

(56) **References Cited**

U.S. PATENT DOCUMENTS

5,825,408 A * 10/1998 Yuyama et al. 348/14.01
5,859,594 A * 1/1999 King et al. 340/7.55
D438,525 S * 3/2001 Katayama D14/203.7
D441,735 S * 5/2001 Katayama D14/203.7
6,977,675 B2 * 12/2005 Kotzin 348/208.2
D535,281 S * 1/2007 Yang D14/203.3
D537,810 S * 3/2007 Lee D14/203.3

D602,904 S * 10/2009 Lomp D14/203.3
D607,434 S * 1/2010 Miyazawa et al. D14/203.3
D607,898 S * 1/2010 Lee D14/496
D646,667 S * 10/2011 Donegain D14/217
D662,948 S * 7/2012 Liang D14/496

* cited by examiner

Primary Examiner — Prabhakar Deshmukh

(74) *Attorney, Agent, or Firm* — Banner & Witcoff, Ltd.

(57) **CLAIM**

The ornamental design for a music player, as shown and described.

DESCRIPTION

FIG. 1 is a perspective front view of a music player showing our new design;

FIG. 2 is a front view thereof;

FIG. 3 is a rear view thereof;

FIG. 4 is a left side view thereof;

FIG. 5 is a right side view thereof;

FIG. 6 is a top view thereof;

FIG. 7 is a bottom view thereof;

FIG. 8 is a perspective front view of a music player showing our new design;

FIG. 9 is a front view thereof;

FIG. 10 is a rear view thereof;

FIG. 11 is a left side view thereof;

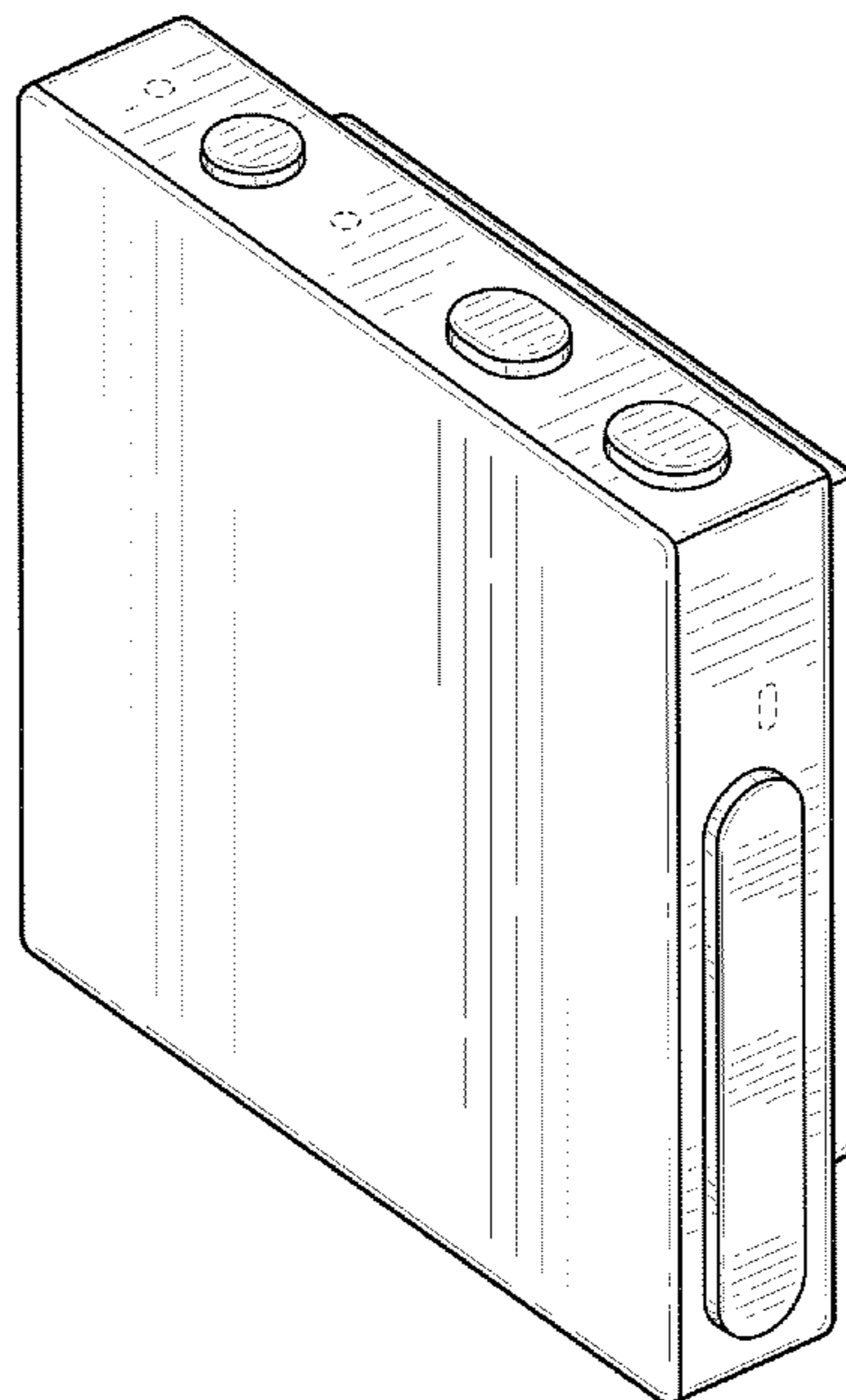
FIG. 12 is a right side view thereof;

FIG. 13 is a top view thereof; and,

FIG. 14 is a bottom view thereof.

The broken lines of the music player in FIGS. 1-7 and the unshaded regions therein are for environmental purposes only and form no part of the claimed design.

1 Claim, 10 Drawing Sheets



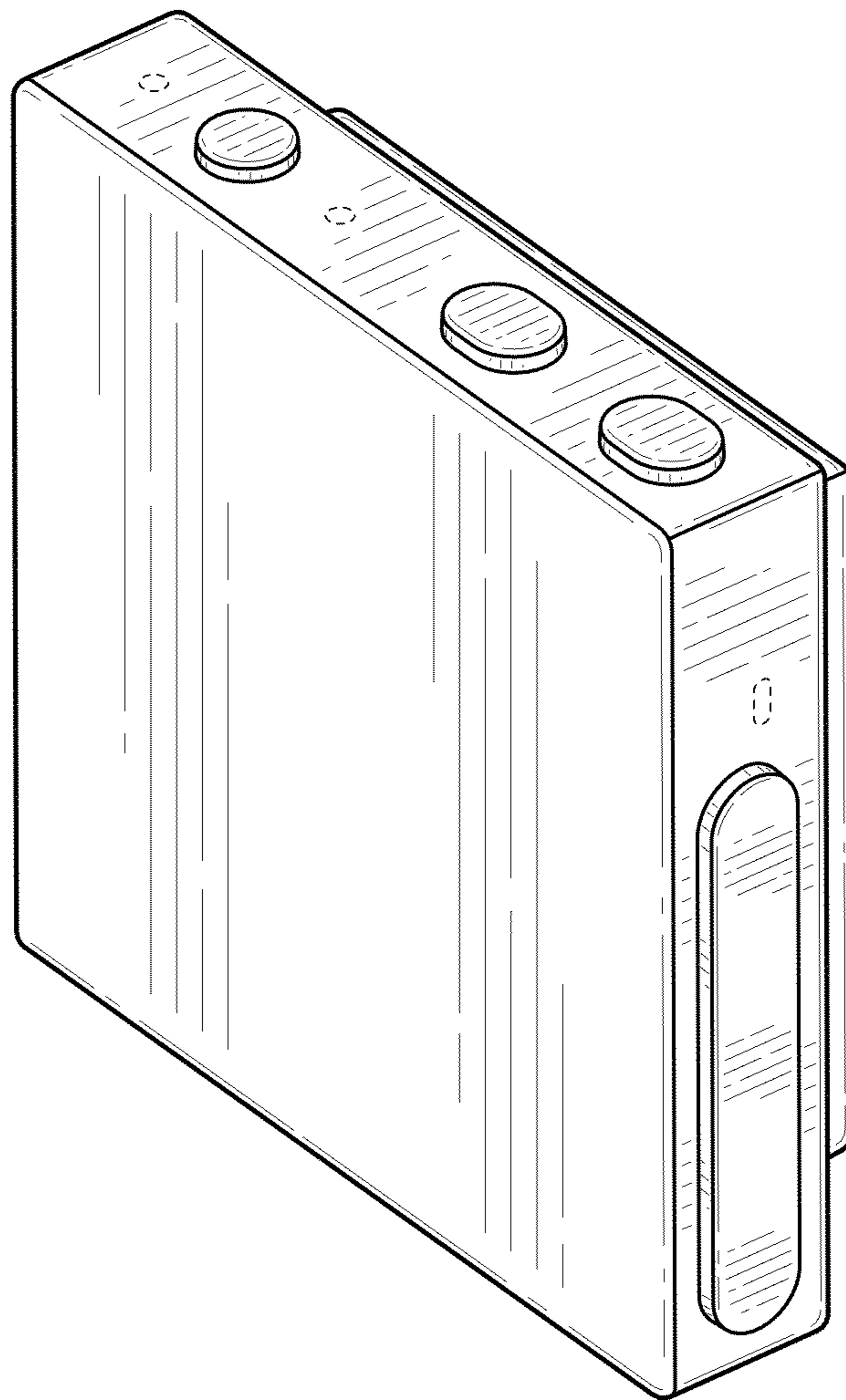


FIG. 1

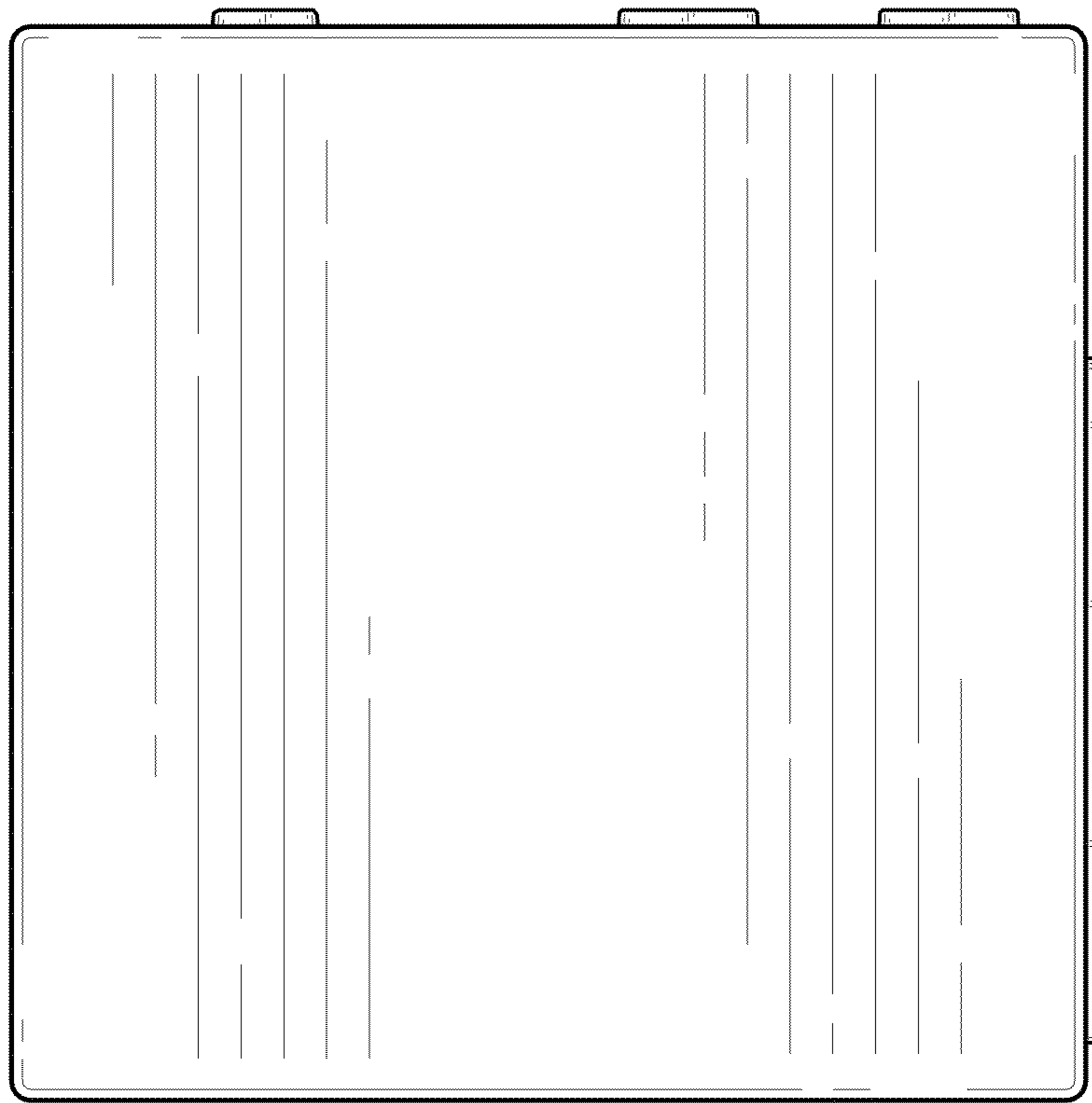


FIG. 2

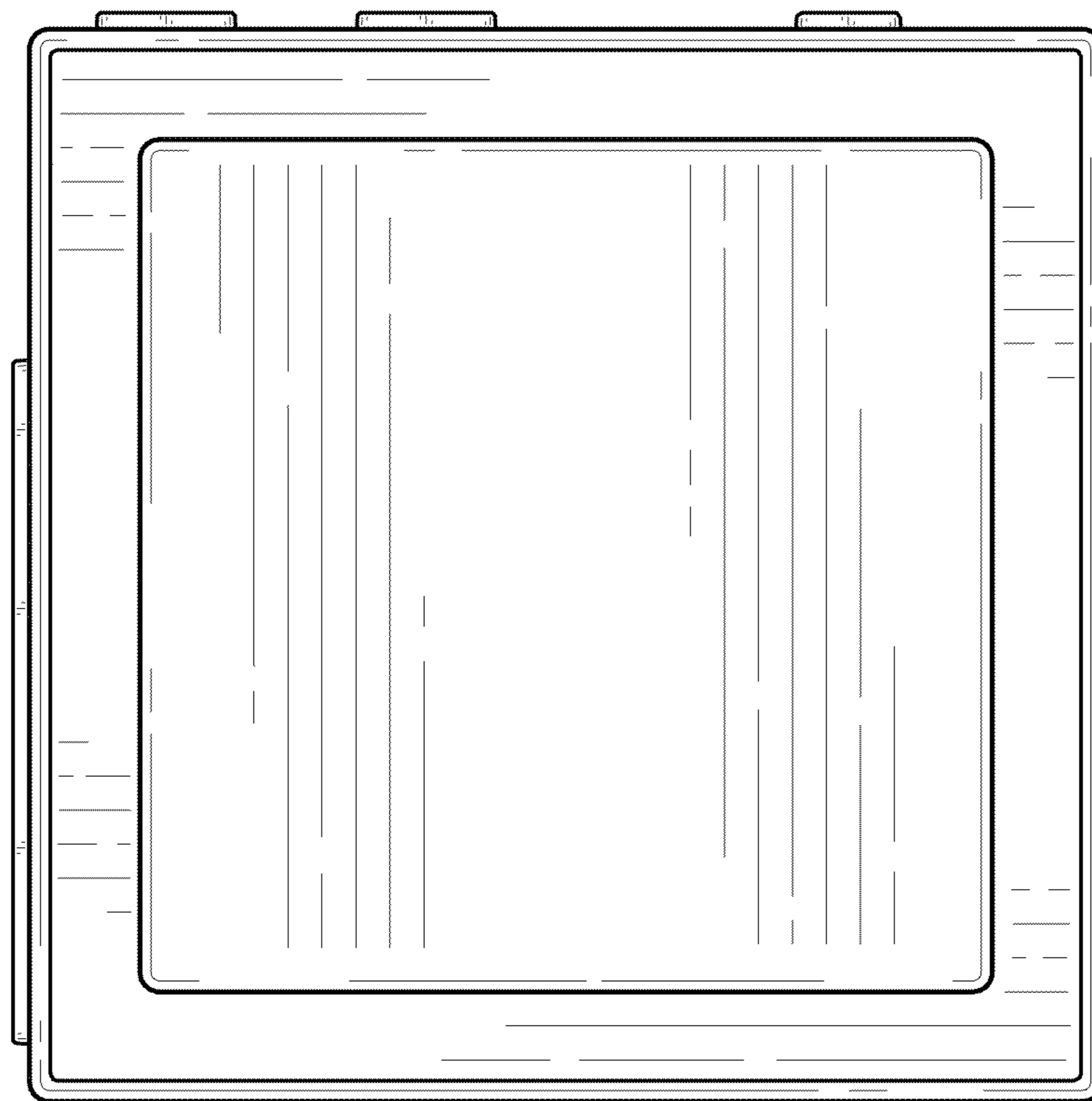


FIG. 3

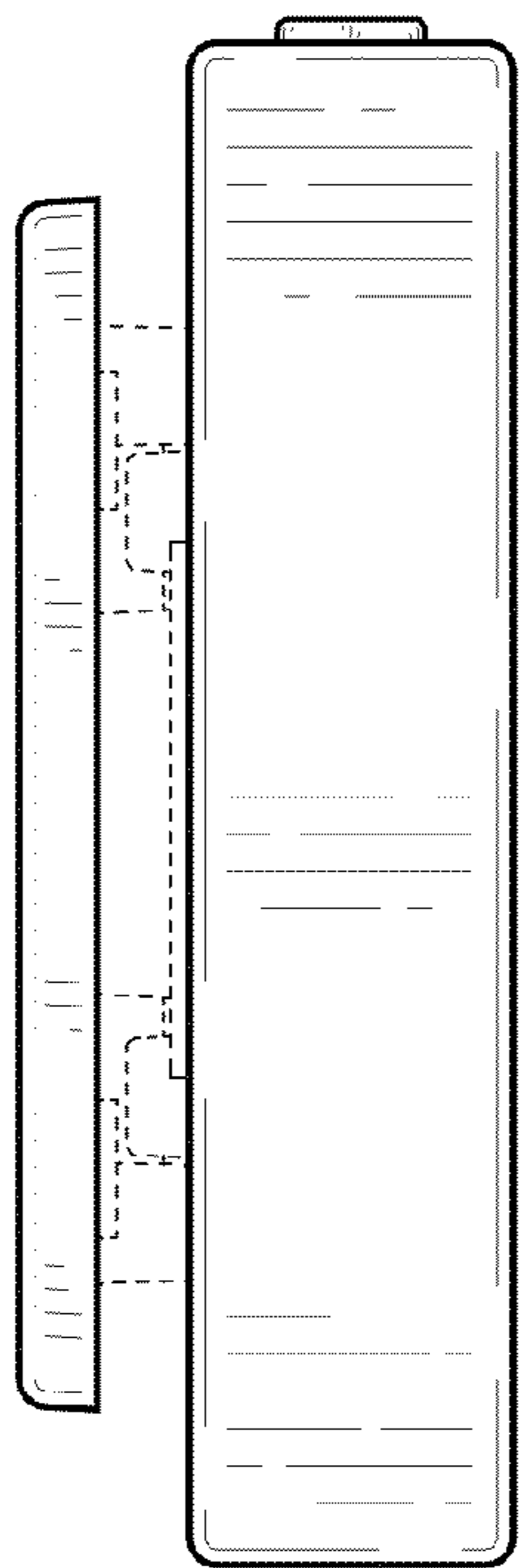


FIG. 4

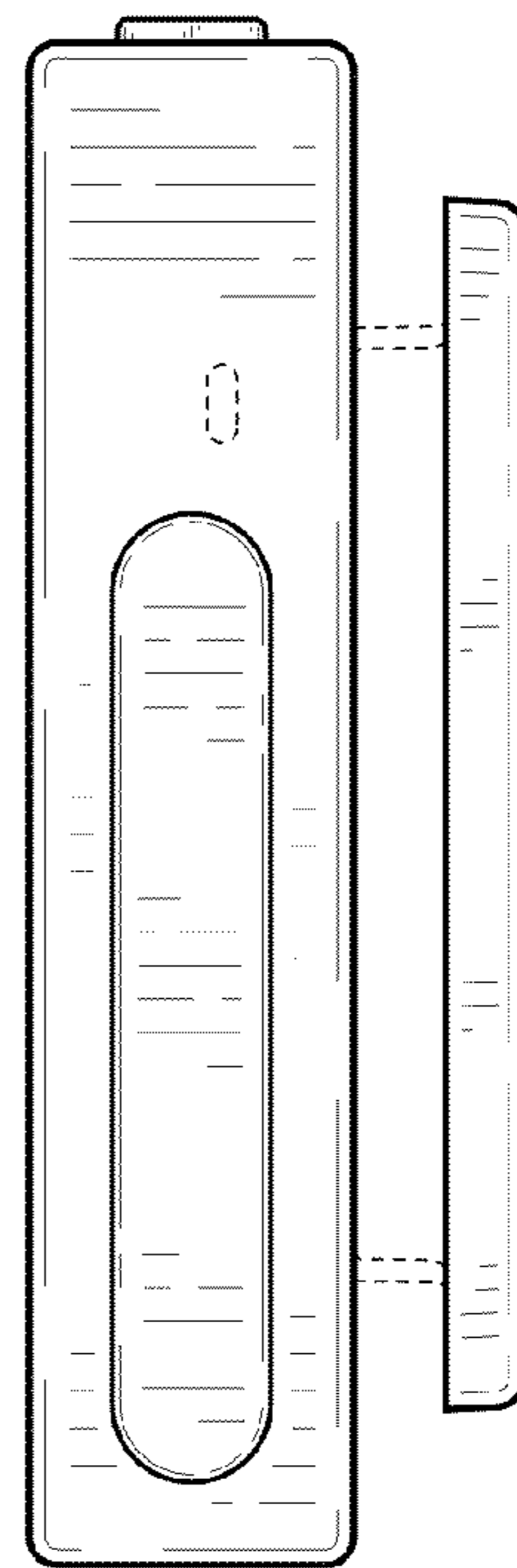


FIG. 5

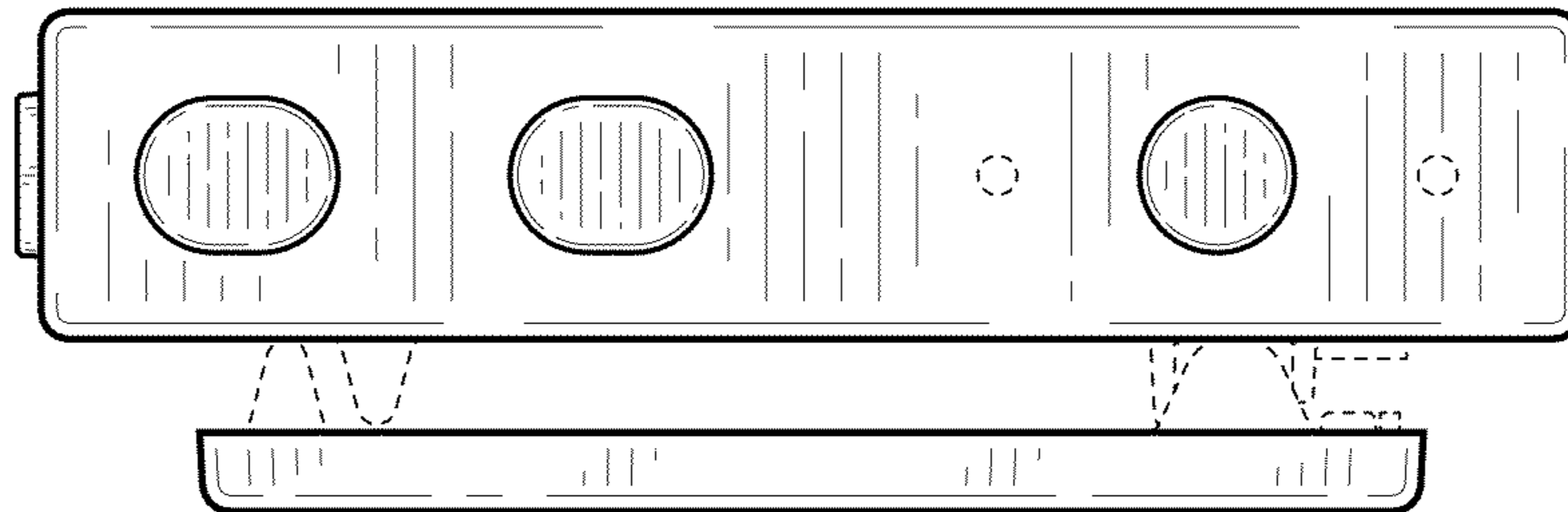


FIG. 6

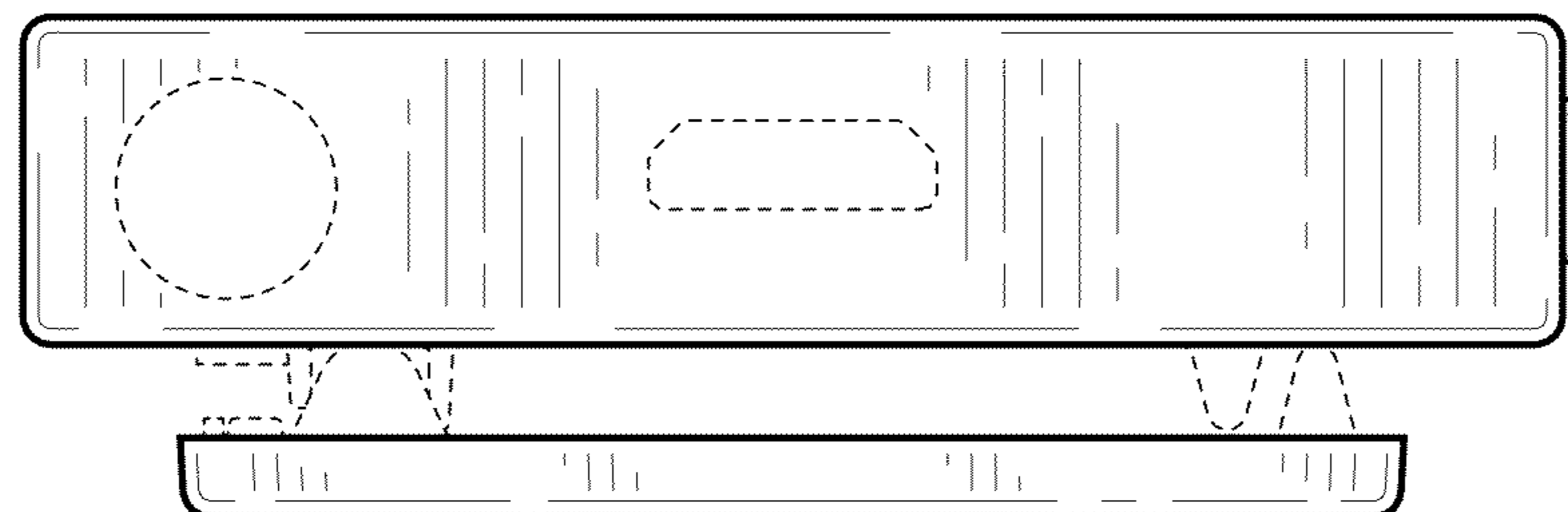


FIG. 7

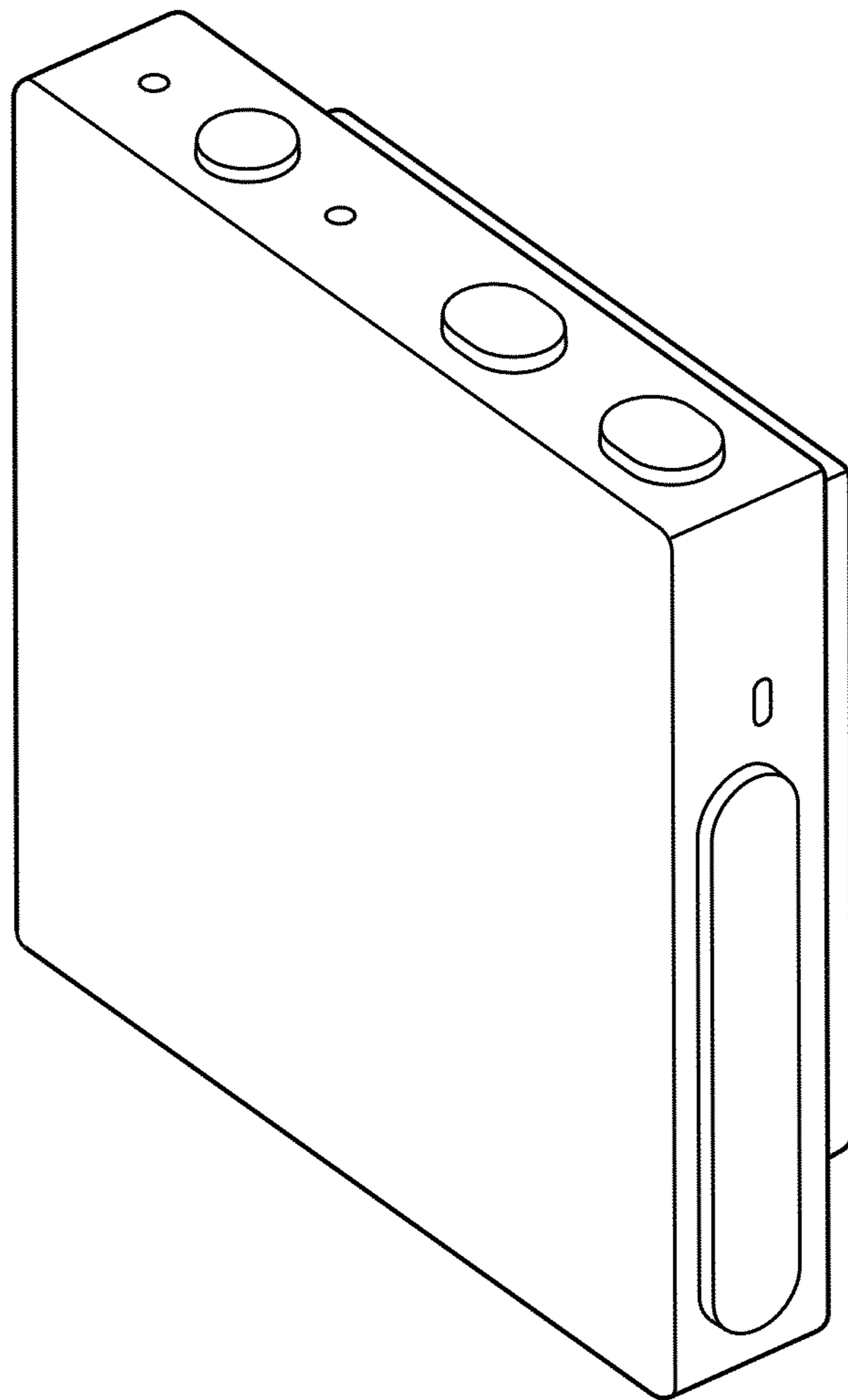


FIG. 8

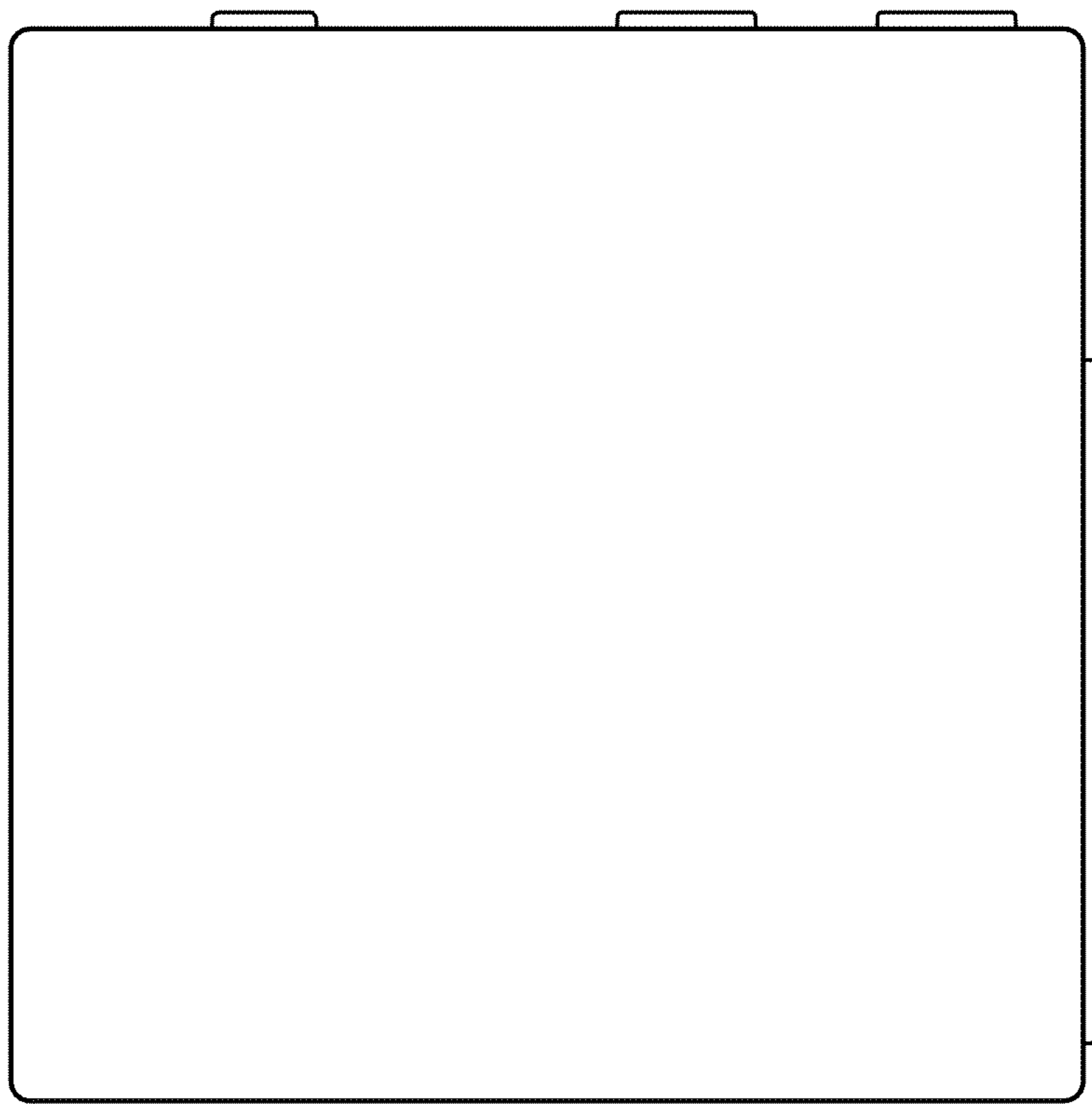


FIG. 9

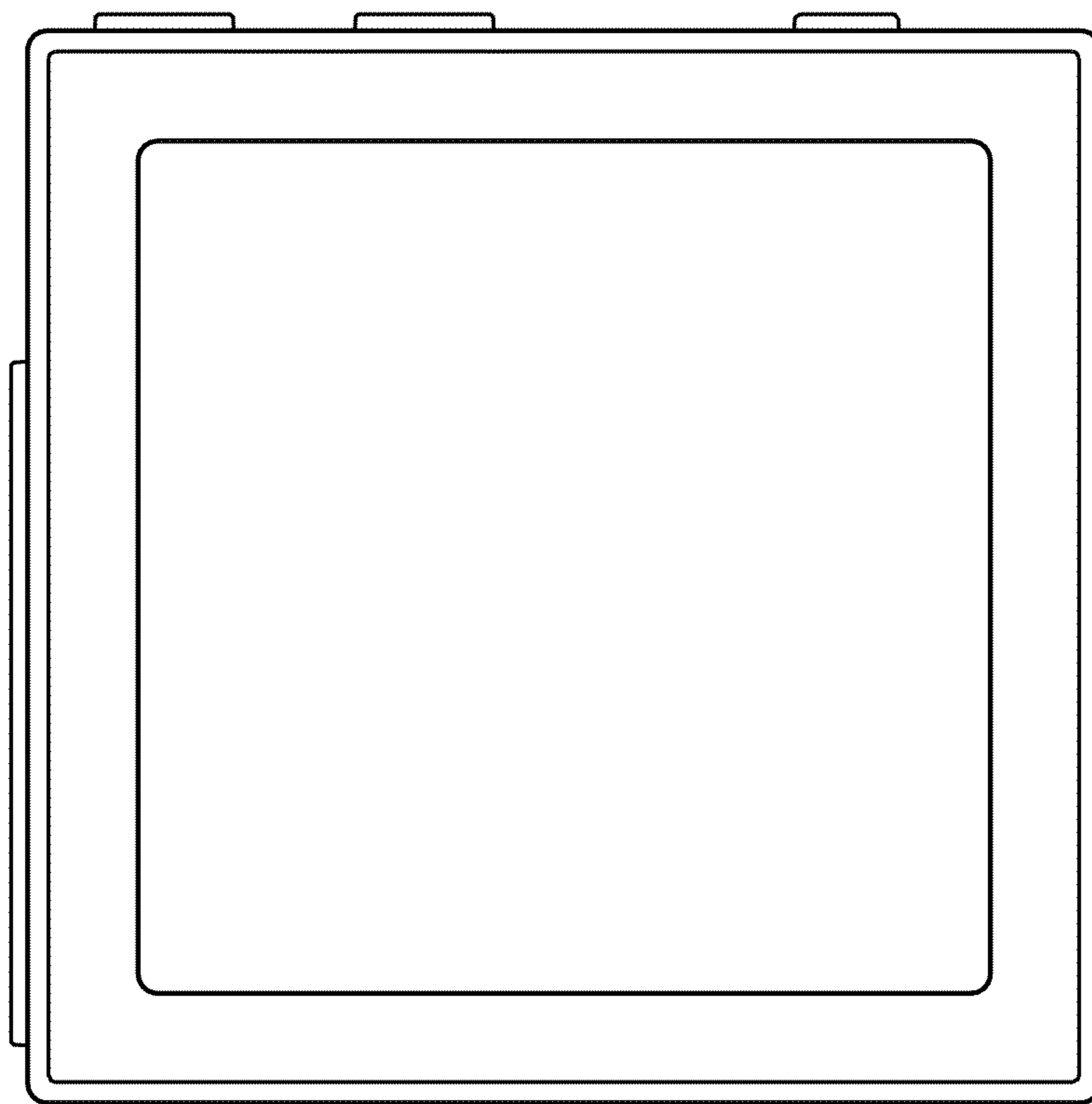


FIG. 10

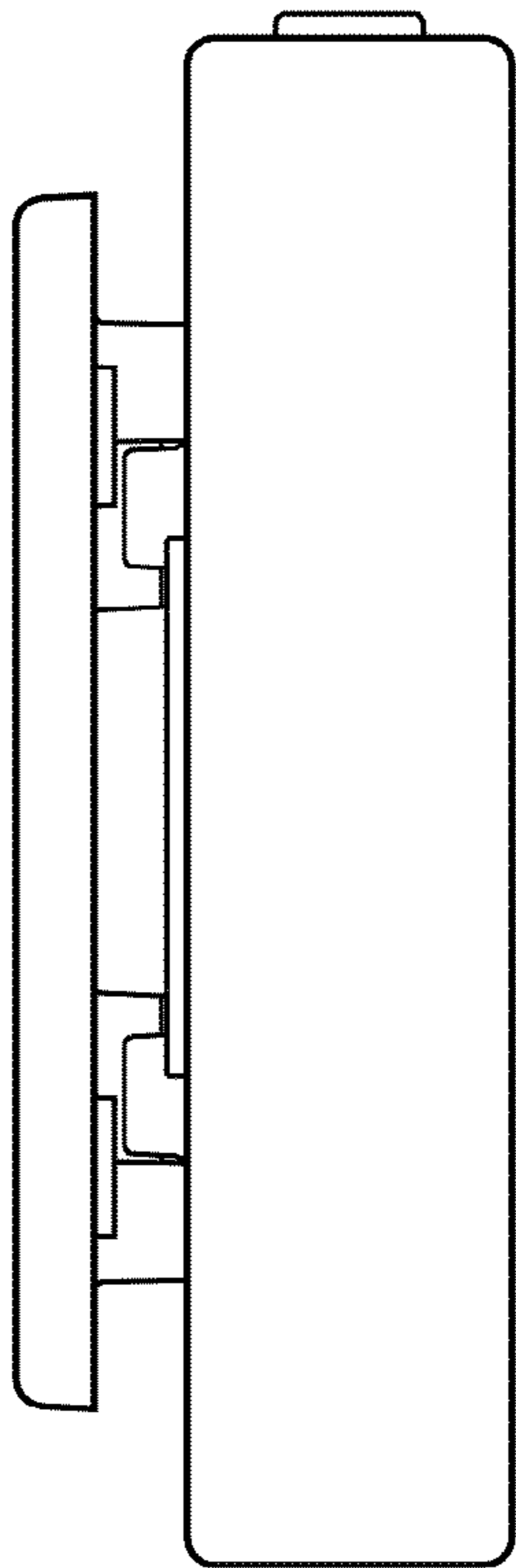


FIG. 11

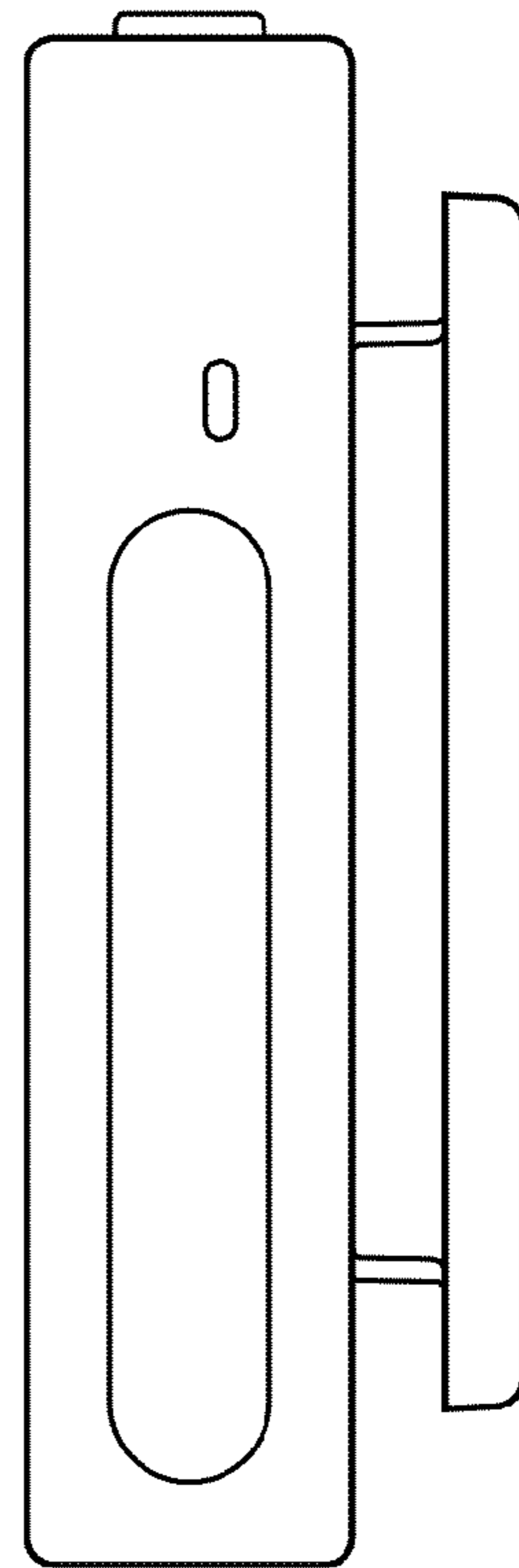


FIG. 12

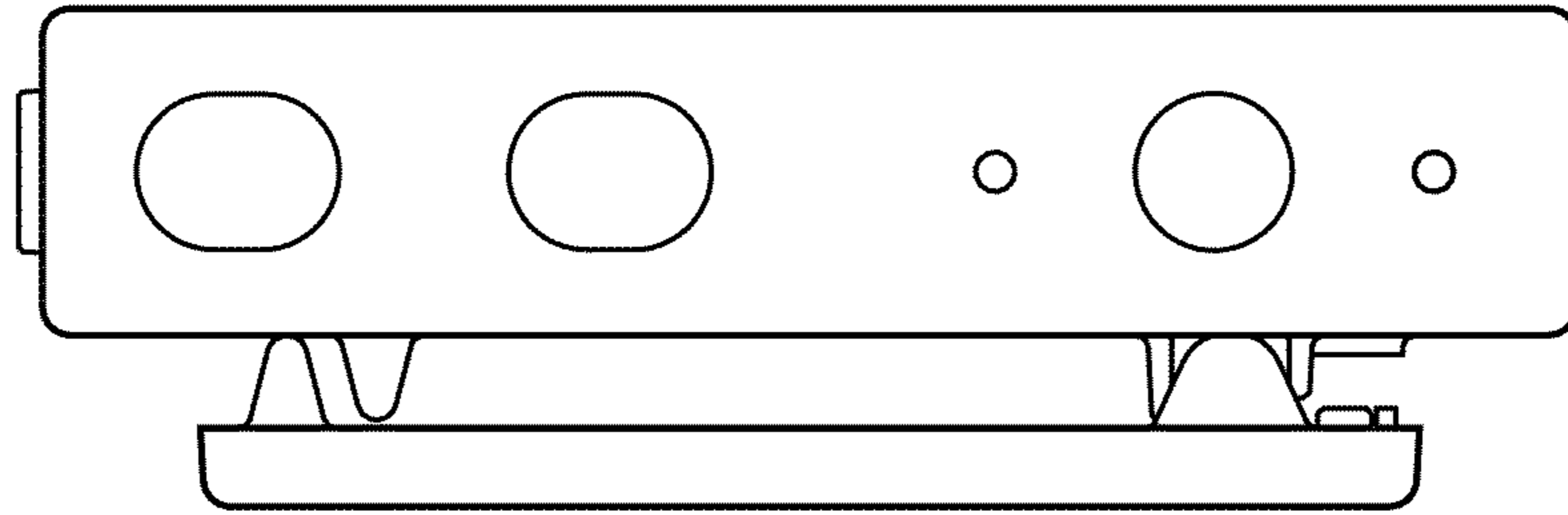


FIG. 13

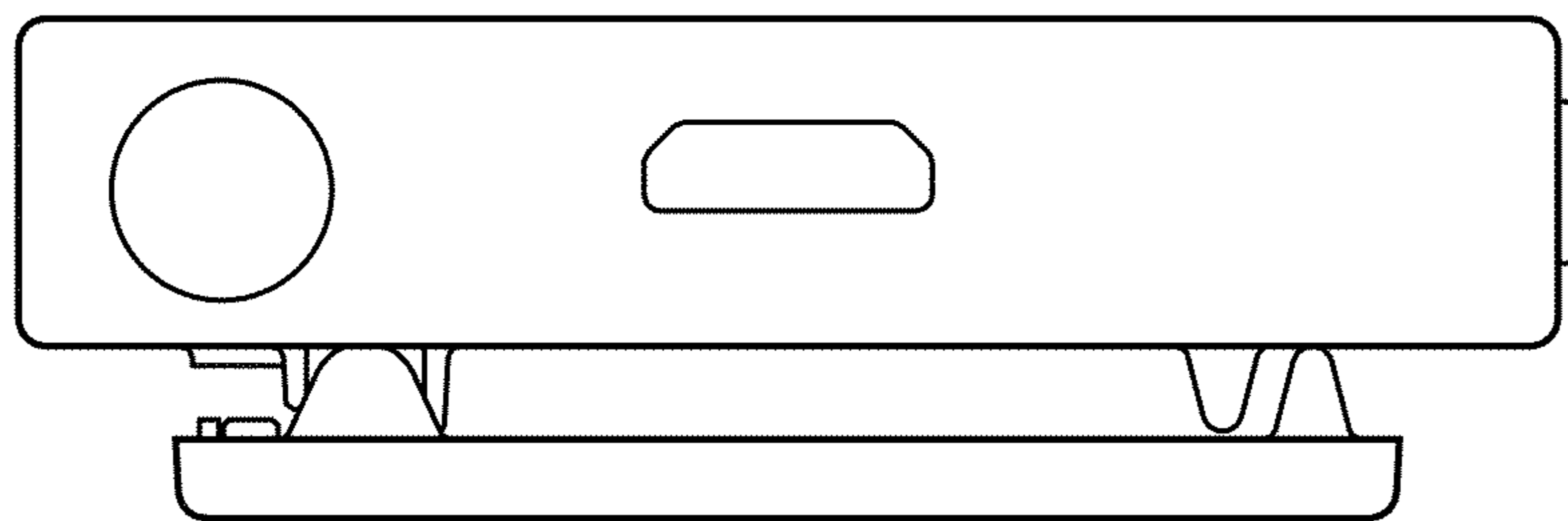


FIG. 14