



US00D717268S

(12) **United States Design Patent**
Alsolami

(10) **Patent No.:** **US D717,268 S**

(45) **Date of Patent:** **** Nov. 11, 2014**

(54) **TRANSLATION DEVICE**

D579,440 S * 10/2008 Wiley D14/158
D611,375 S * 3/2010 Lin D10/90
D707,674 S * 6/2014 Daniel D14/307

(71) Applicant: **Samhan Alsolami**, San Bernardino, CA
(US)

* cited by examiner

(72) Inventor: **Samhan Alsolami**, San Bernardino, CA
(US)

Primary Examiner — Austin Murphy
(74) *Attorney, Agent, or Firm* — Oblon, Spivak,
McClelland, Maier & Neustadt, L.L.P.

(**) Term: **14 Years**

(21) Appl. No.: **29/464,993**

(57) **CLAIM**
The ornamental design for a translation device, as shown and described.

(22) Filed: **Aug. 22, 2013**

(51) **LOC (10) Cl.** **14-99**

(52) **U.S. Cl.**

USPC **D14/158**

(58) **Field of Classification Search**

CPC G06F 17/00; G10L 13/00; H04R 2410/00;
H02W 92/04

USPC D14/167, 154, 168, 188, 496, 156, 160,
D14/161, 162, 163, 164, 165, 158, 341, 346,
D14/342, 345; D16/208; D26/38; 455/351,
455/350; D19/60, 62; D21/330

See application file for complete search history.

DESCRIPTION

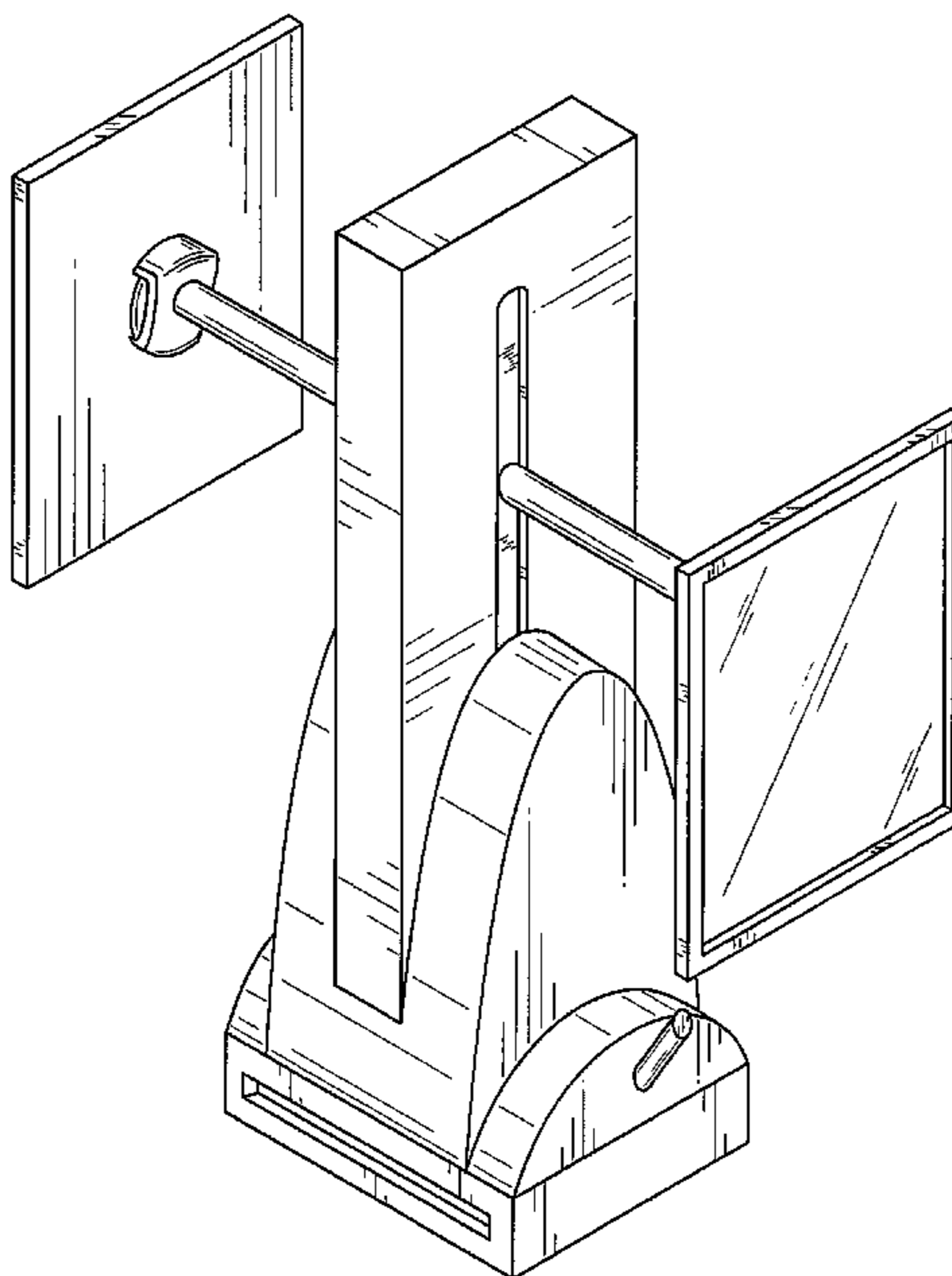
FIG. 1 is a front, top, and right side perspective view of a first embodiment of a translation device;
FIG. 2 is a rear, top, and right side perspective view thereof;
FIG. 3 is a front elevational view thereof;
FIG. 4 is a rear elevational view thereof;
FIG. 5 is a left side elevational view thereof;
FIG. 6 is a right side elevational view thereof;
FIG. 7 is a top plan view thereof;
FIG. 8 is a bottom plan view thereof;
FIG. 9 is a front, top, and right side perspective view of a second embodiment of the translation device;
FIG. 10 is a rear, top, and right side perspective view thereof;
FIG. 11 is a front elevational view thereof;
FIG. 12 is a rear elevational view thereof;
FIG. 13 is a left side elevational view thereof;
FIG. 14 is a right side elevational view thereof;
FIG. 15 is a top plan view thereof; and,
FIG. 16 is a bottom plan view thereof.
The broken lines in the drawings depict environmental subject matter only and form no part of the claimed design.

(56) **References Cited**

U.S. PATENT DOCUMENTS

5,389,987 A * 2/1995 Corbeil et al. 396/420
D377,479 S * 1/1997 Matsubara D14/158
D385,276 S * 10/1997 Griggs D14/158
D410,228 S * 5/1999 Jones D14/158
D415,154 S * 10/1999 White et al. D14/158
D435,839 S * 1/2001 Rodriguez et al. D14/158
D483,734 S * 12/2003 Brown D14/158
D487,074 S * 2/2004 McGoldrick D14/158
D553,128 S * 10/2007 Murphy D14/305
D577,707 S * 9/2008 Lee et al. D14/158

1 Claim, 14 Drawing Sheets



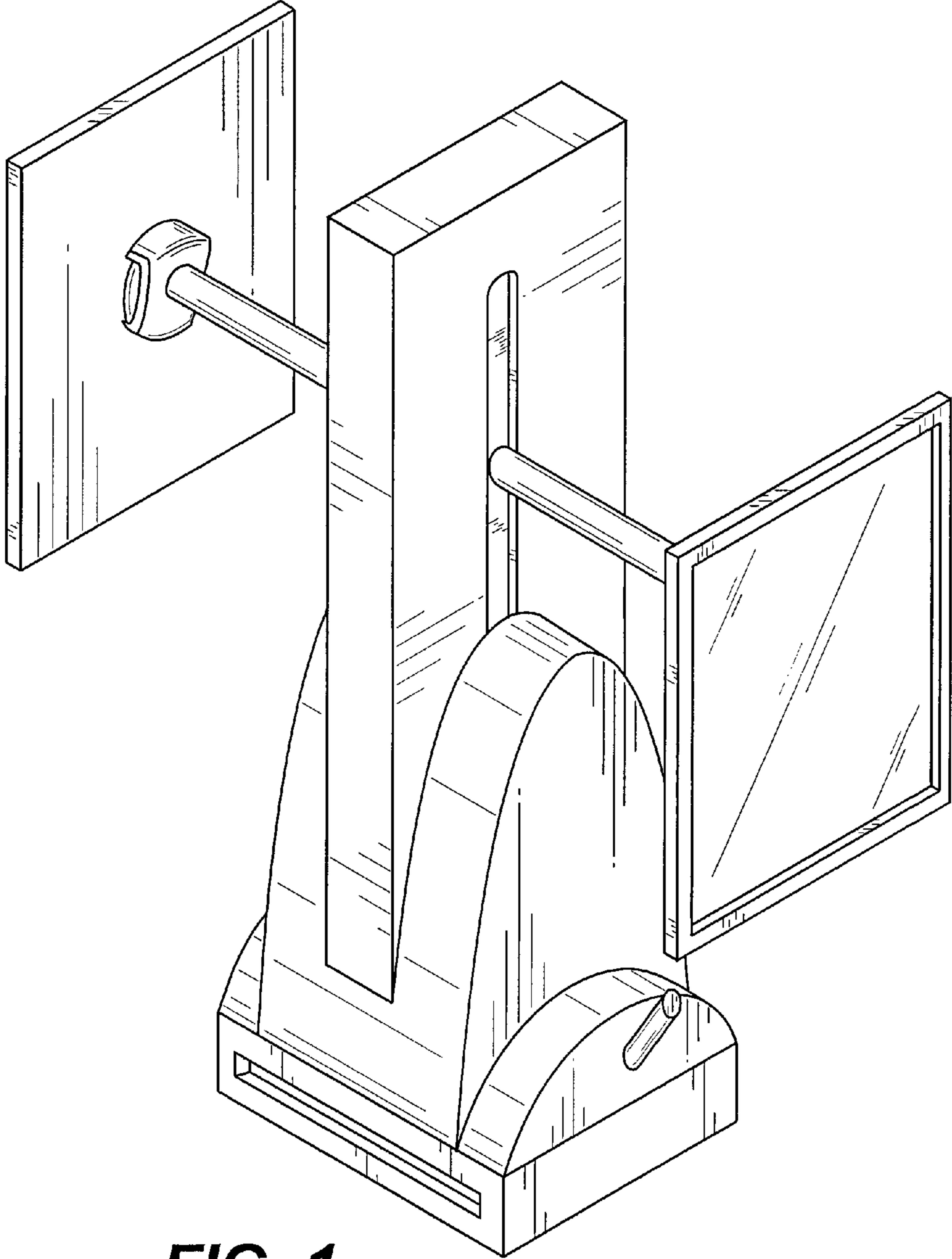


FIG. 1

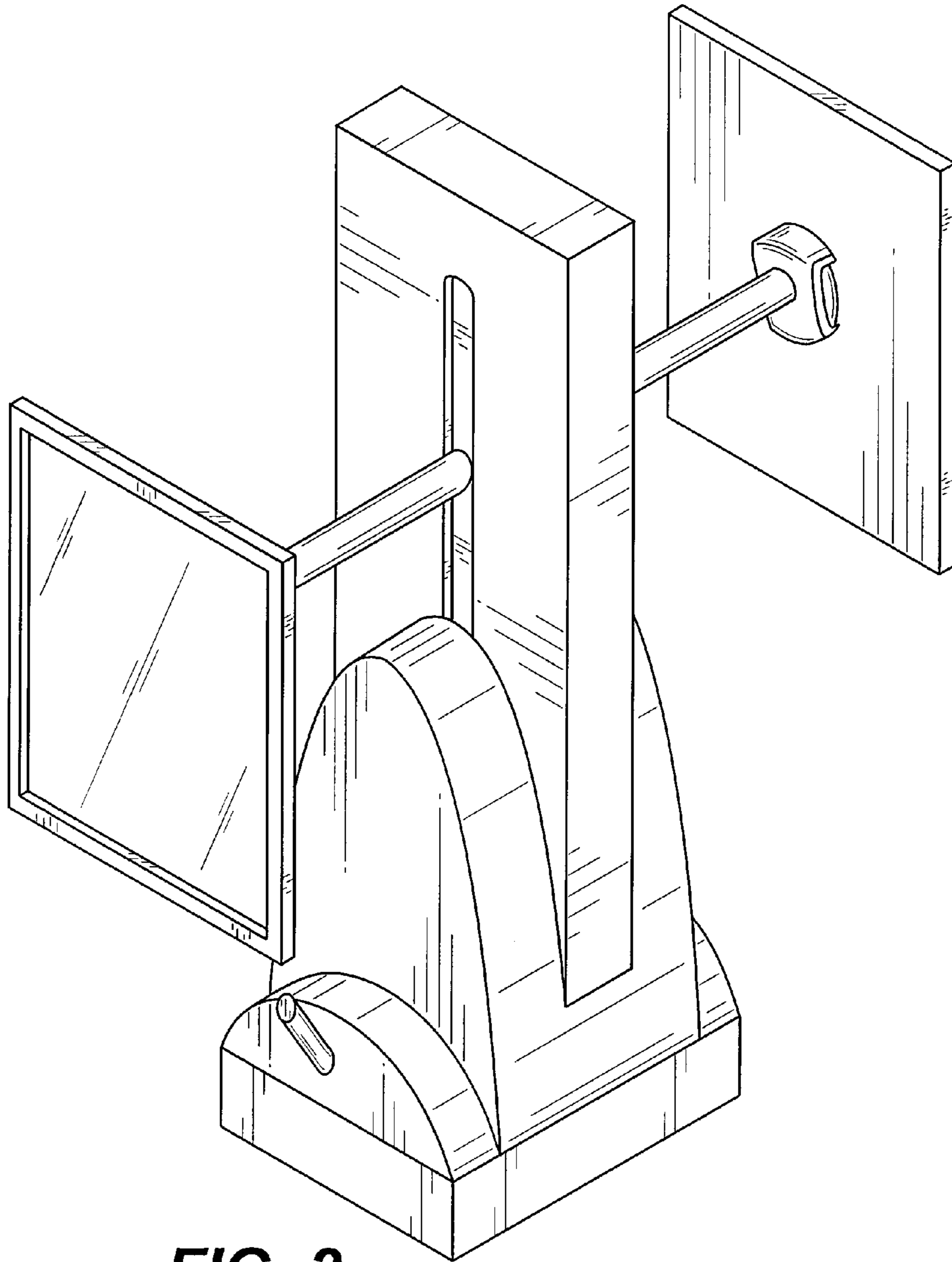


FIG. 2

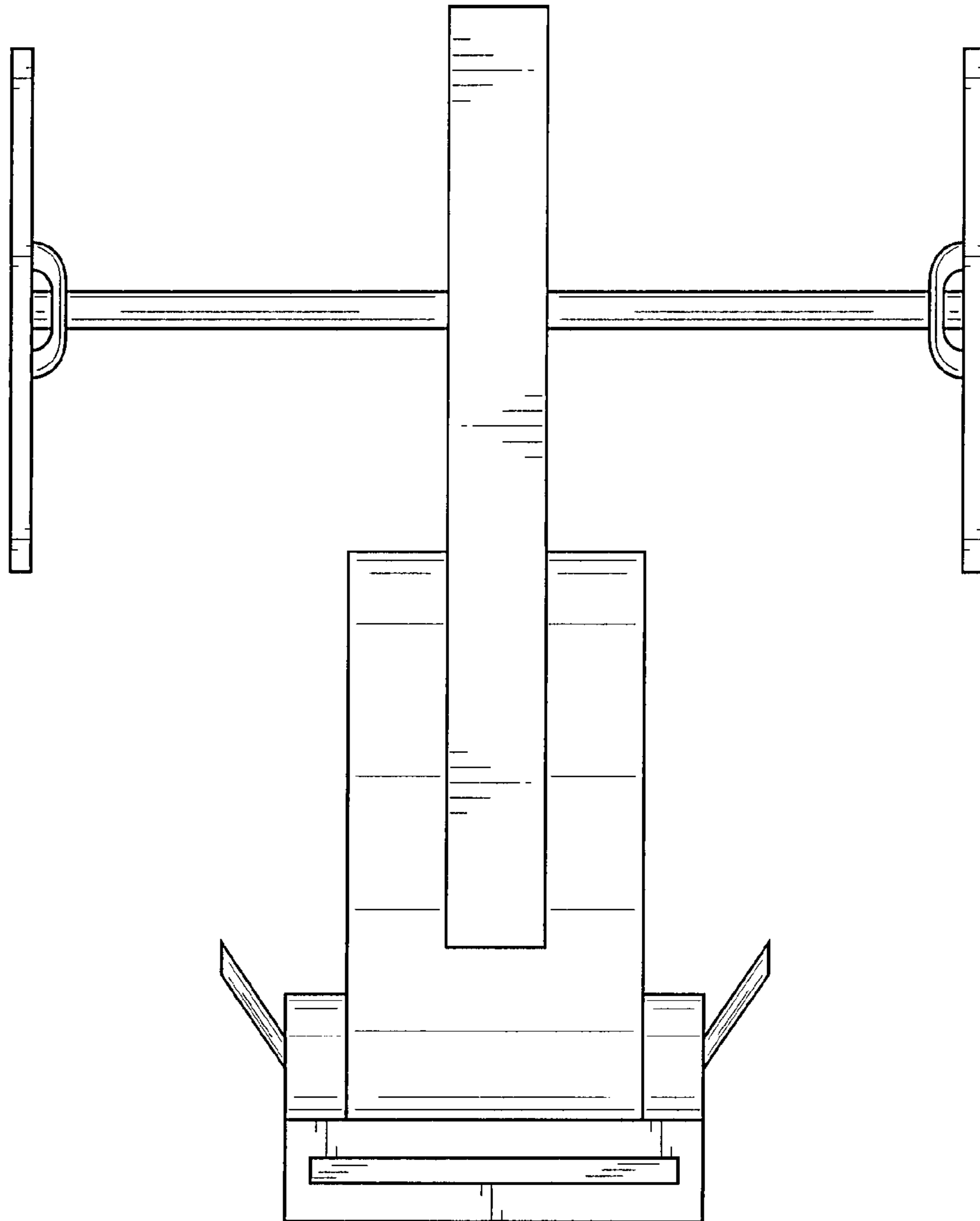


FIG. 3

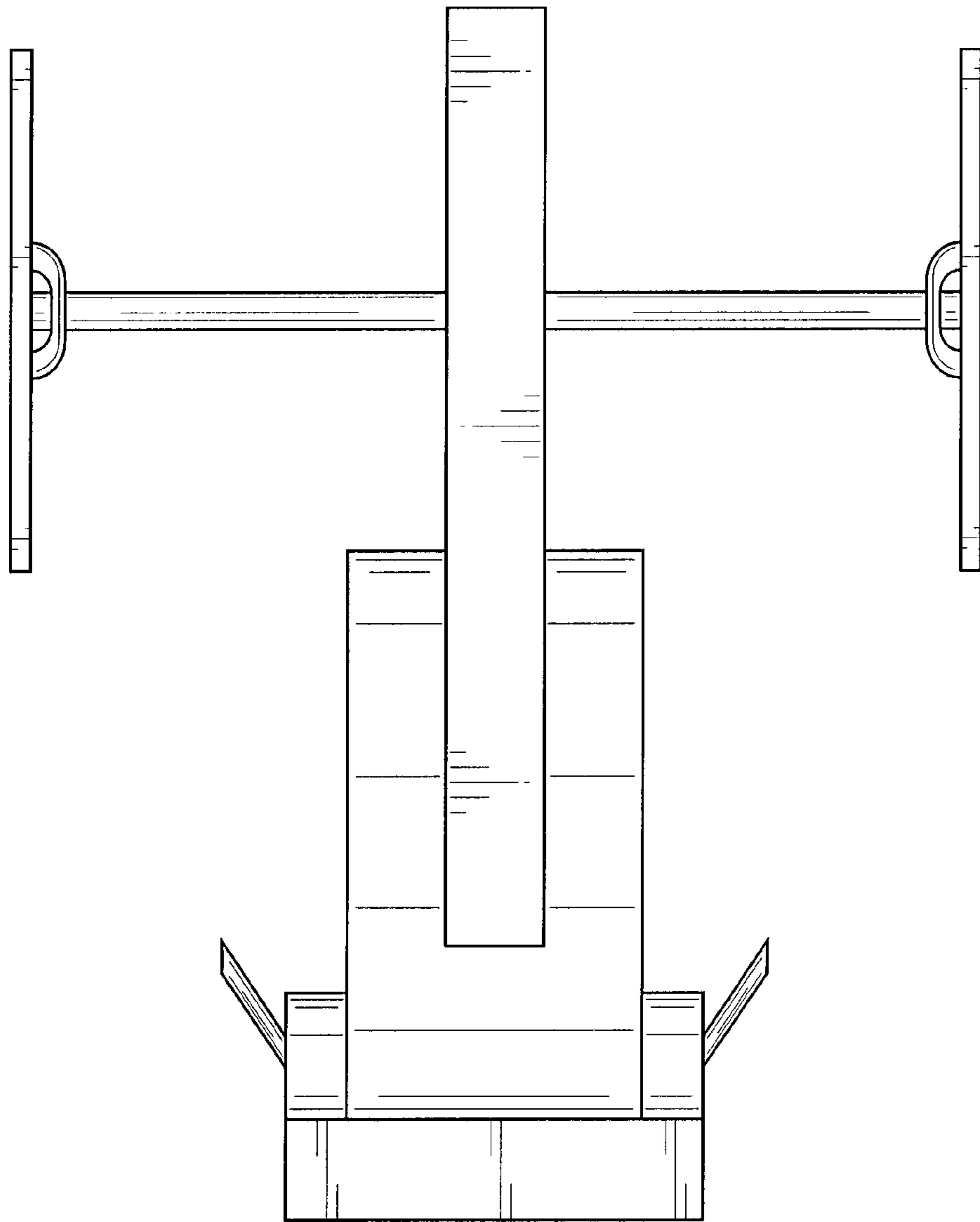


FIG. 4

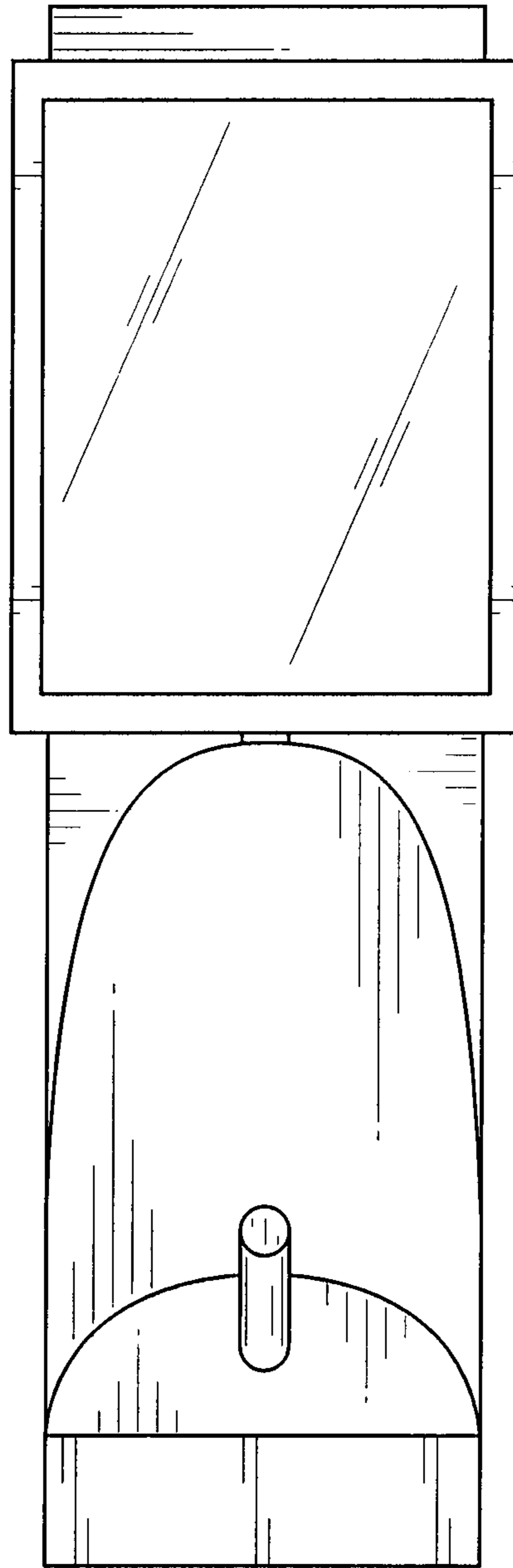


FIG. 5

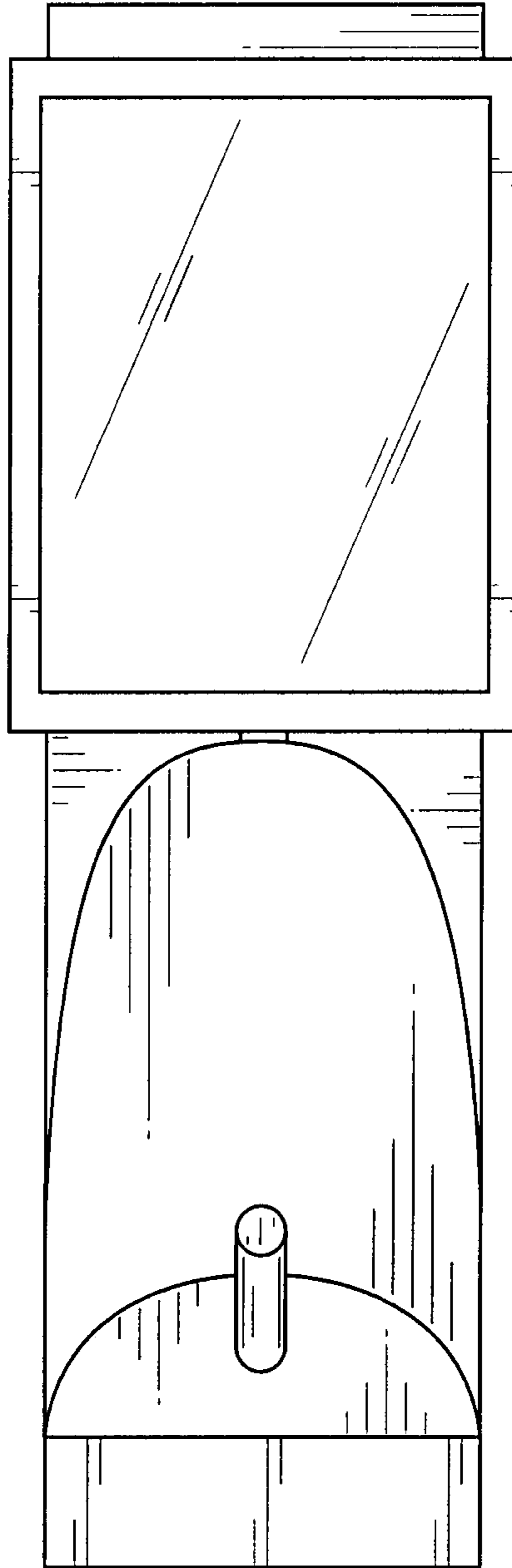


FIG. 6

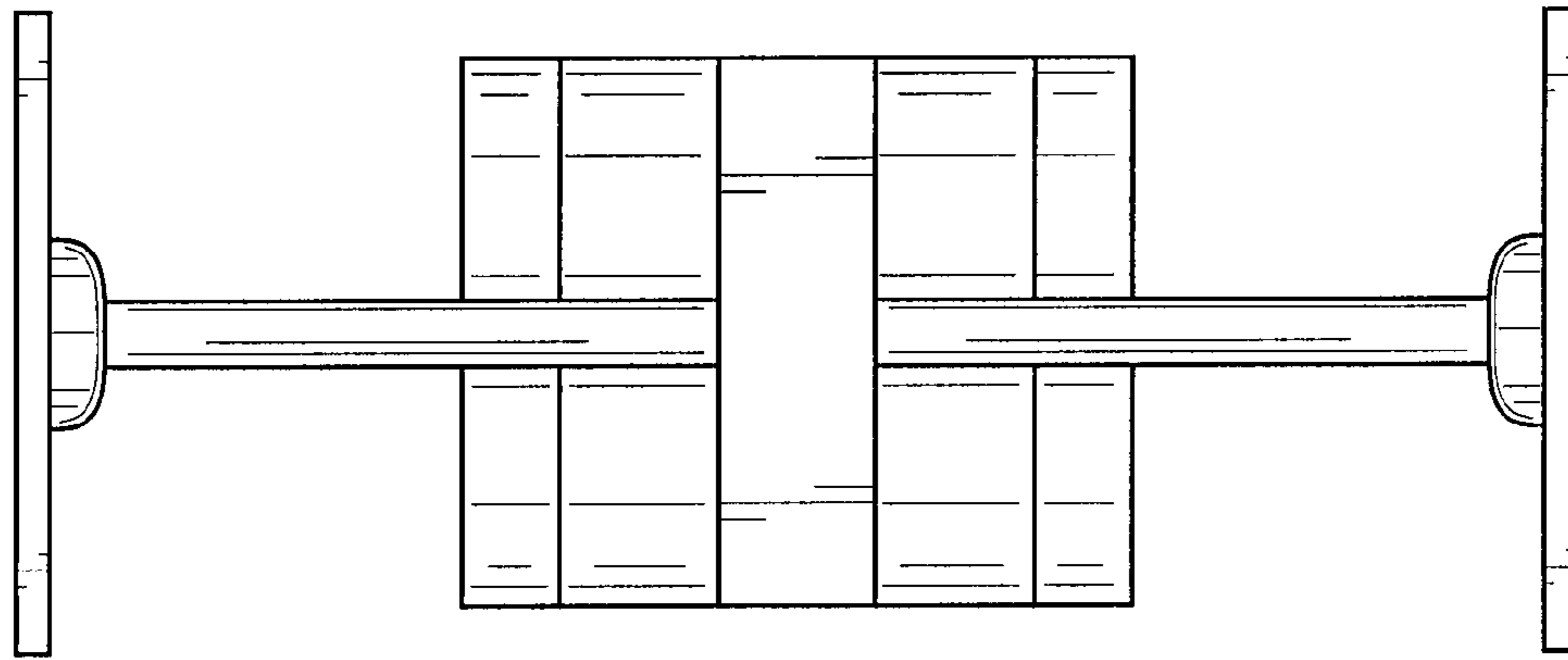


FIG. 7

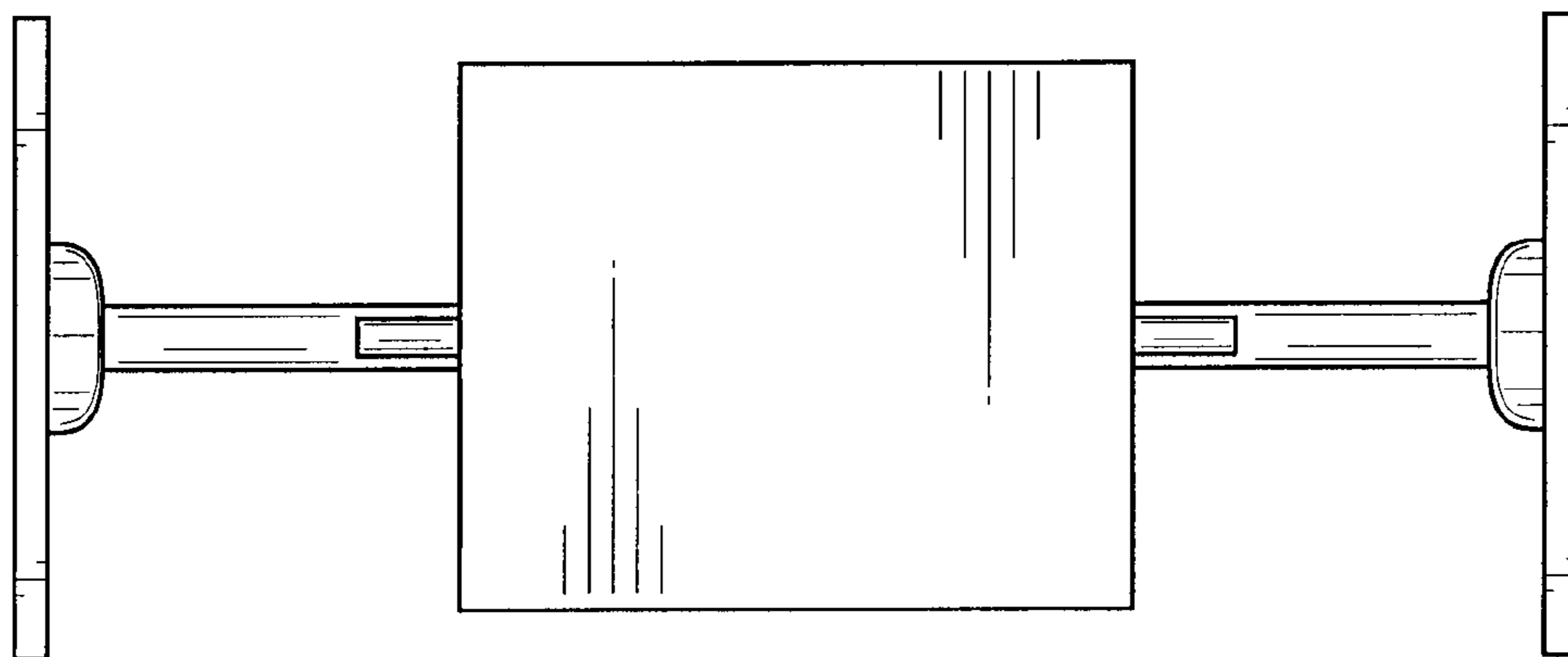


FIG. 8

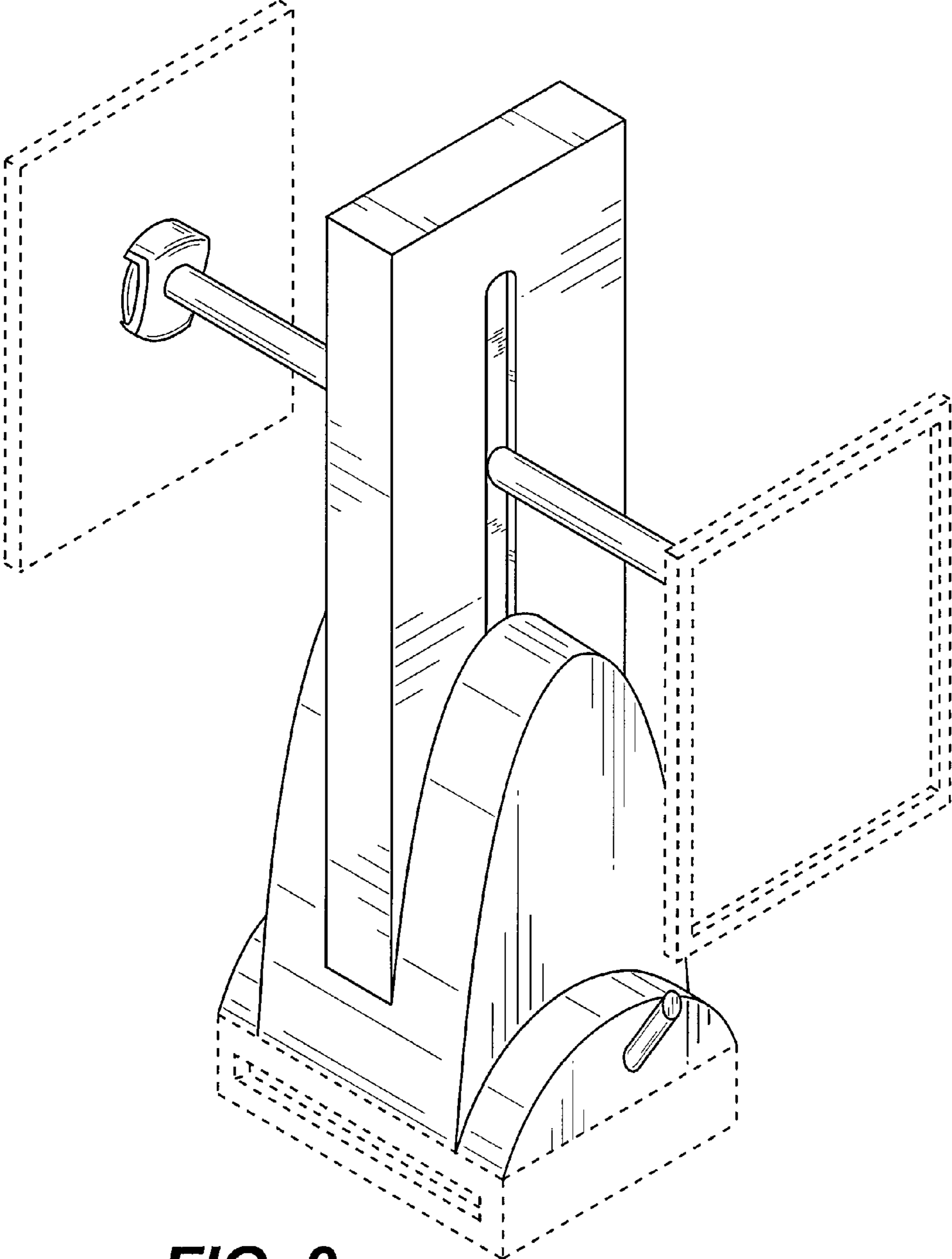


FIG. 9

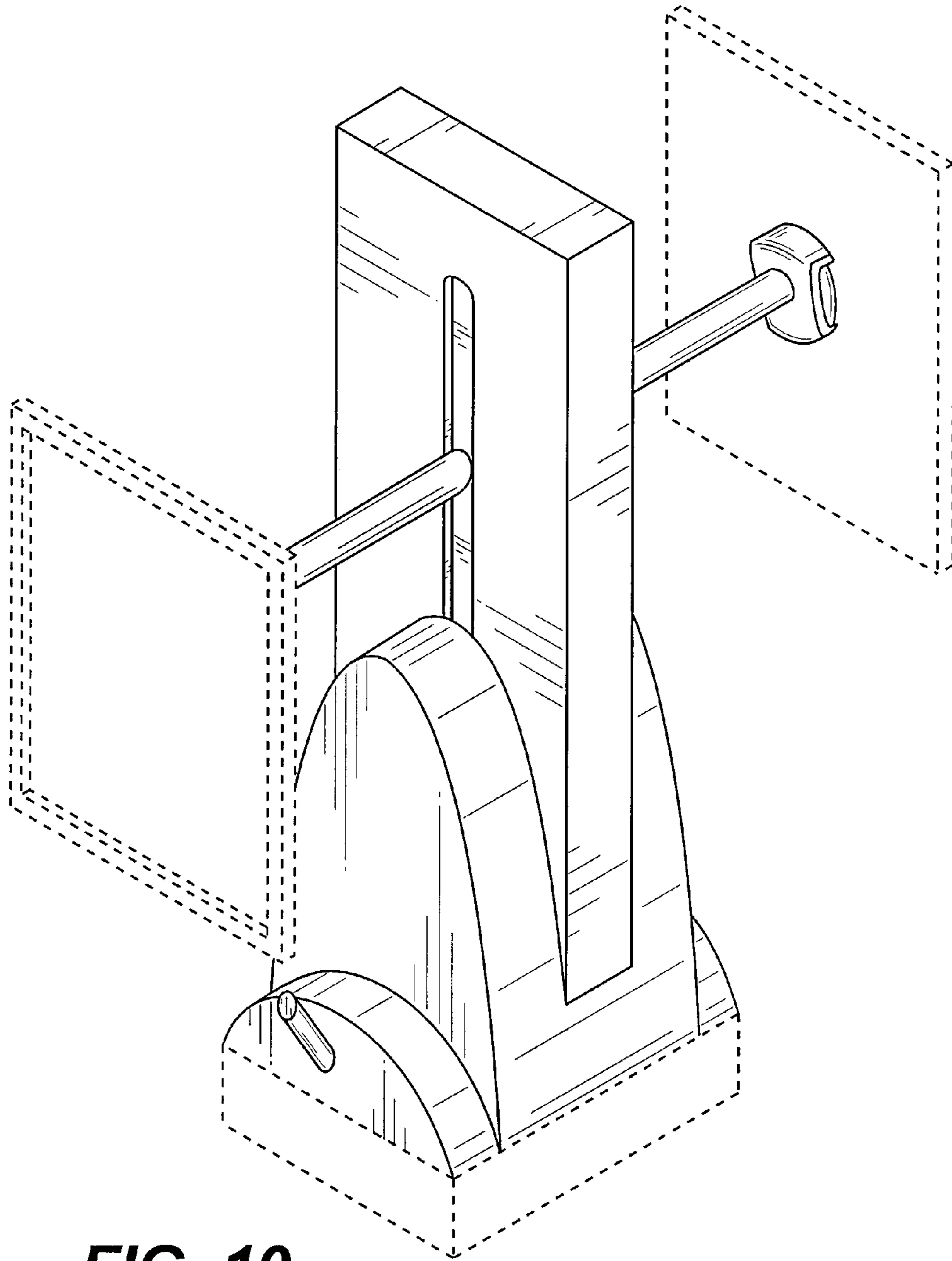


FIG. 10

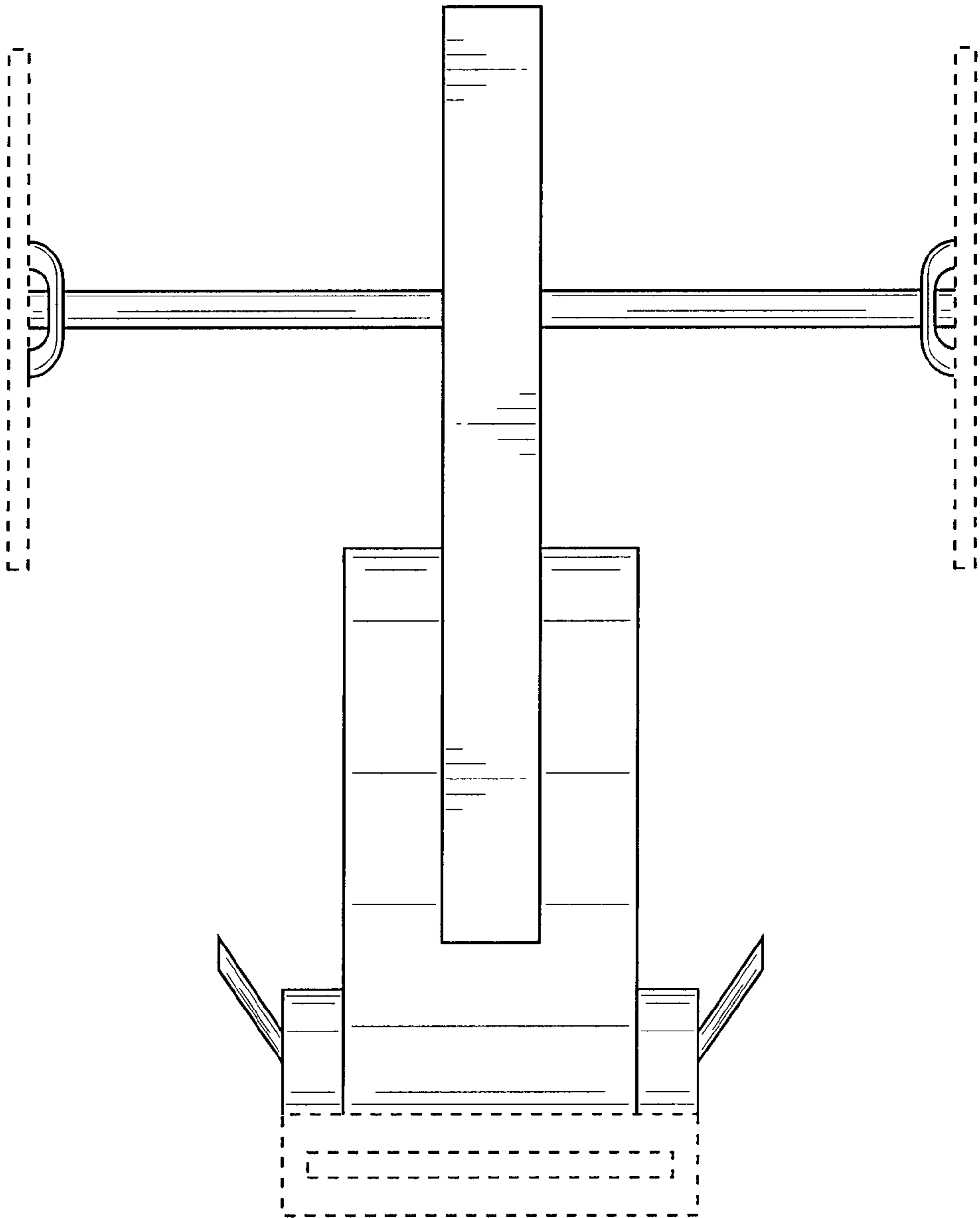


FIG. 11

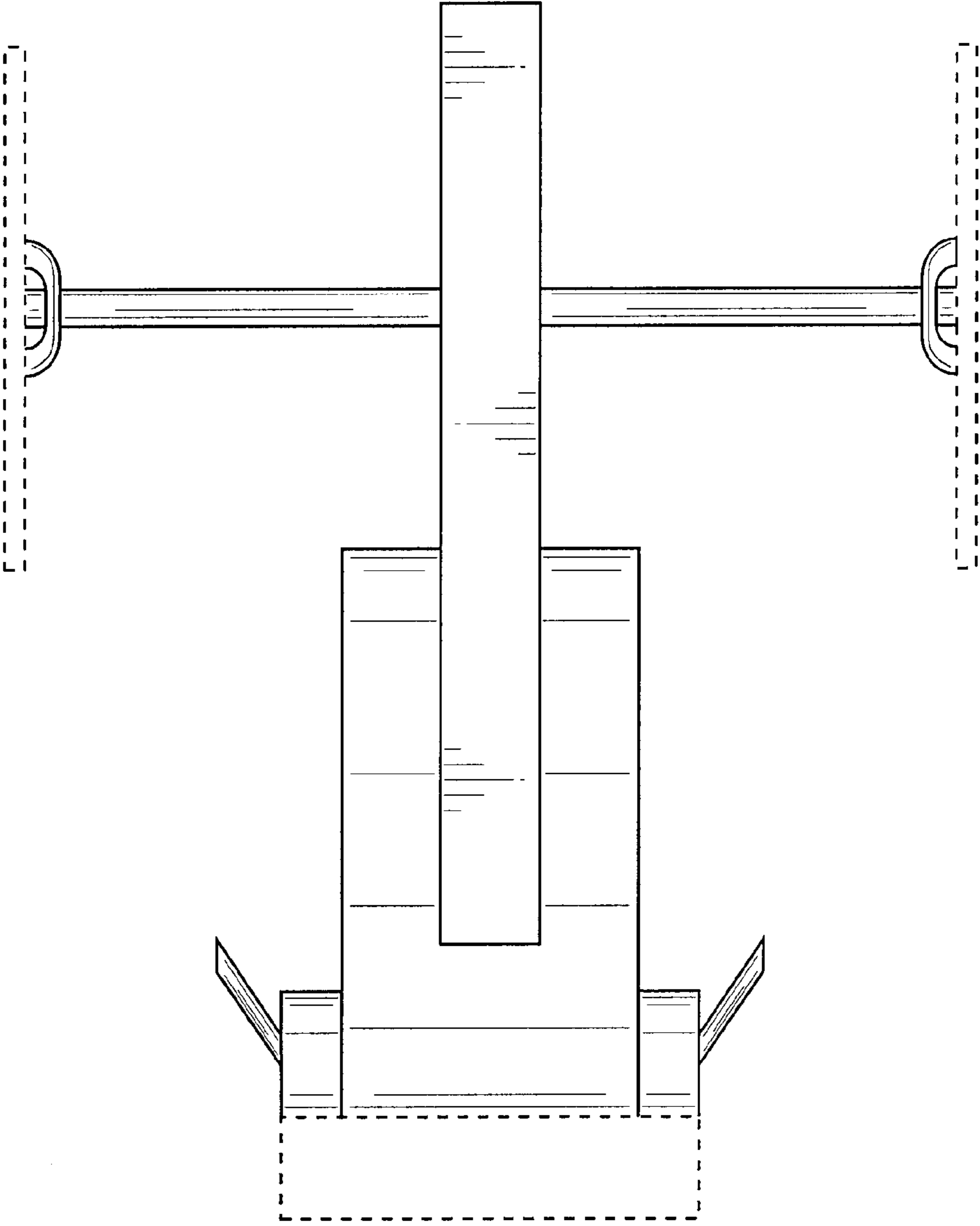


FIG. 12

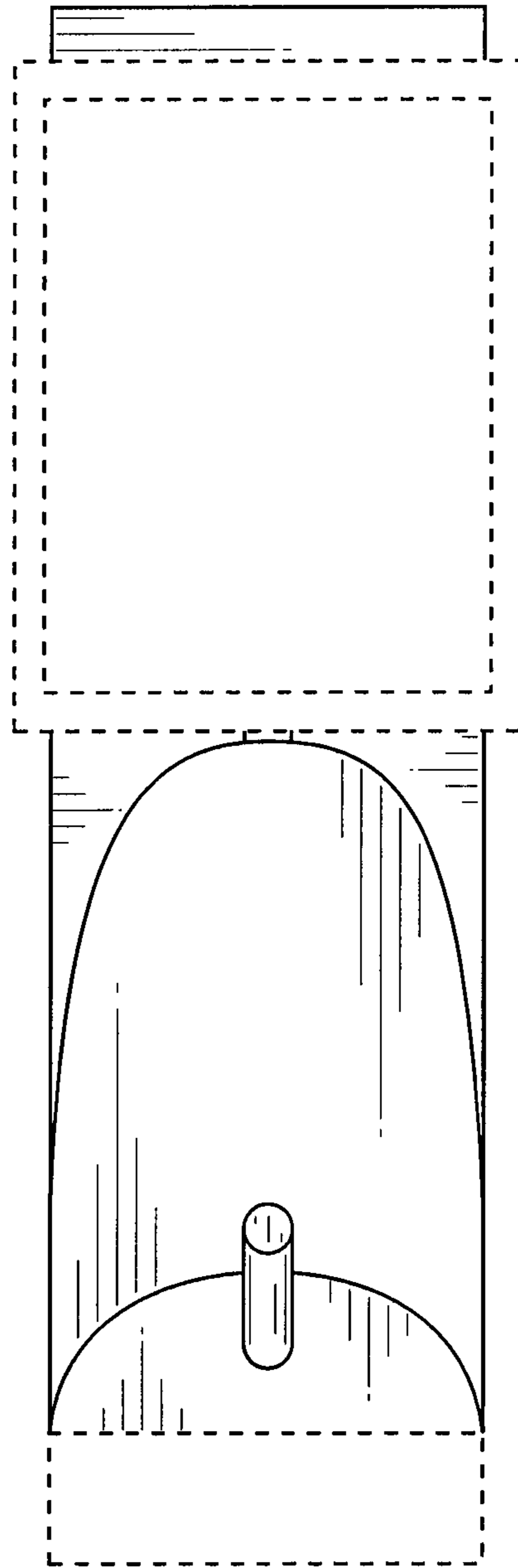


FIG. 13

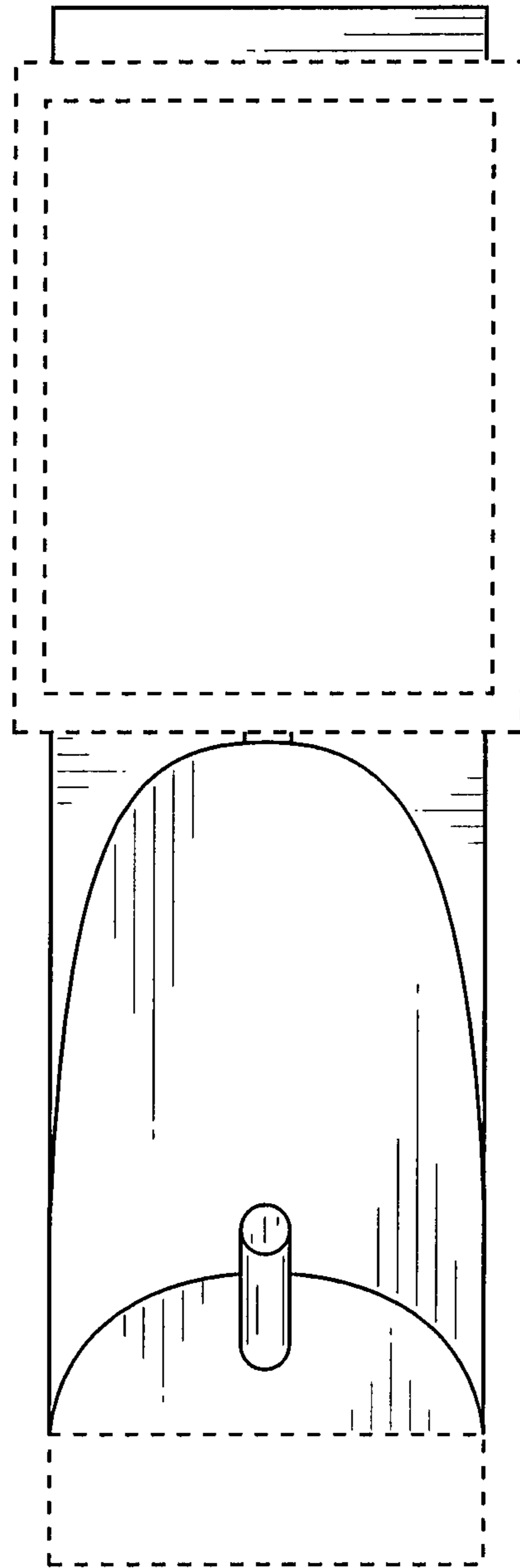


FIG. 14

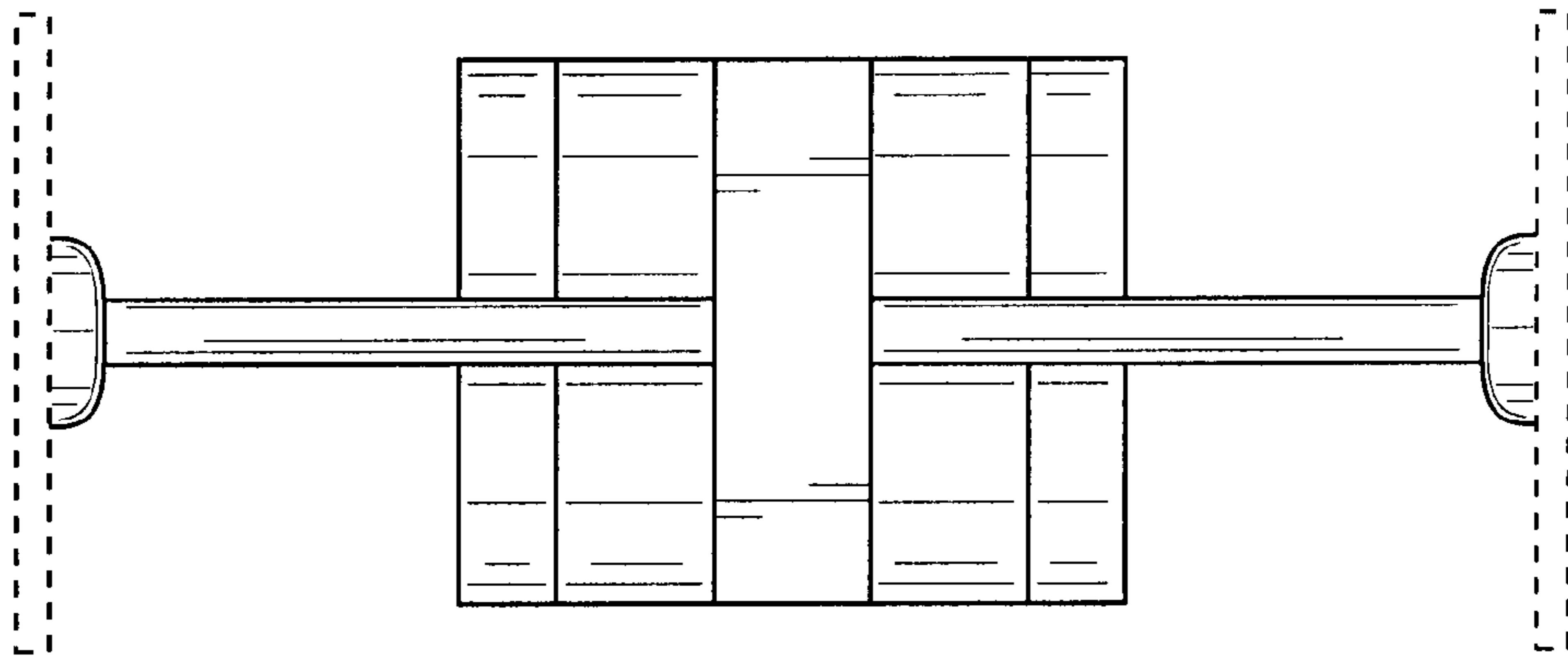


FIG. 15

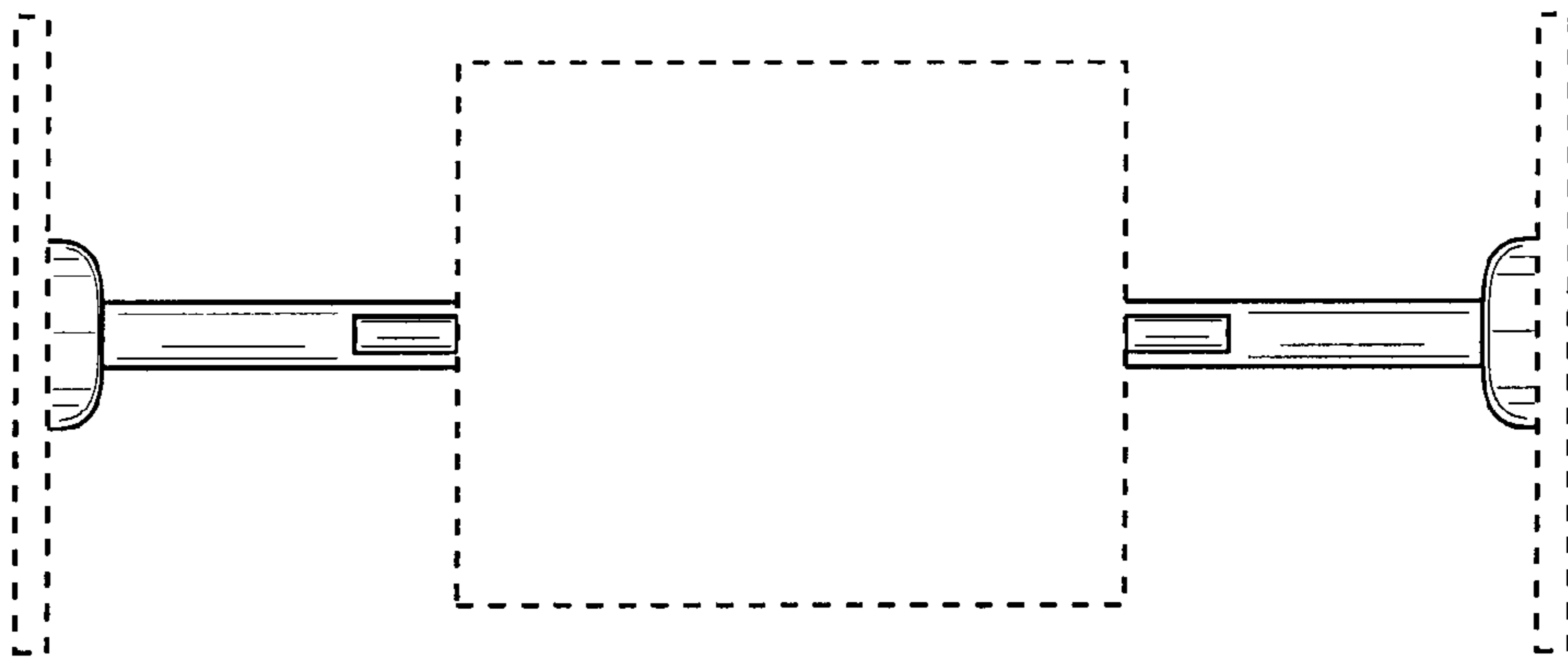


FIG. 16